

TECHNICAL SPECIFICATIONS

P6SP Series

6, 7½ and 10 Ton Packaged Electric Cooling Units

11.2 EER Commercial System Units

These units are designed specifically for retrofit applications and compatibility with most standard footprints. They take less time to install and retrofit, making the contractor's job more profitable. These units offer flexibility in the replacement market. These units are compliant with the 2007 requirements of ASHRAE 90.1 ADDENDUM S.

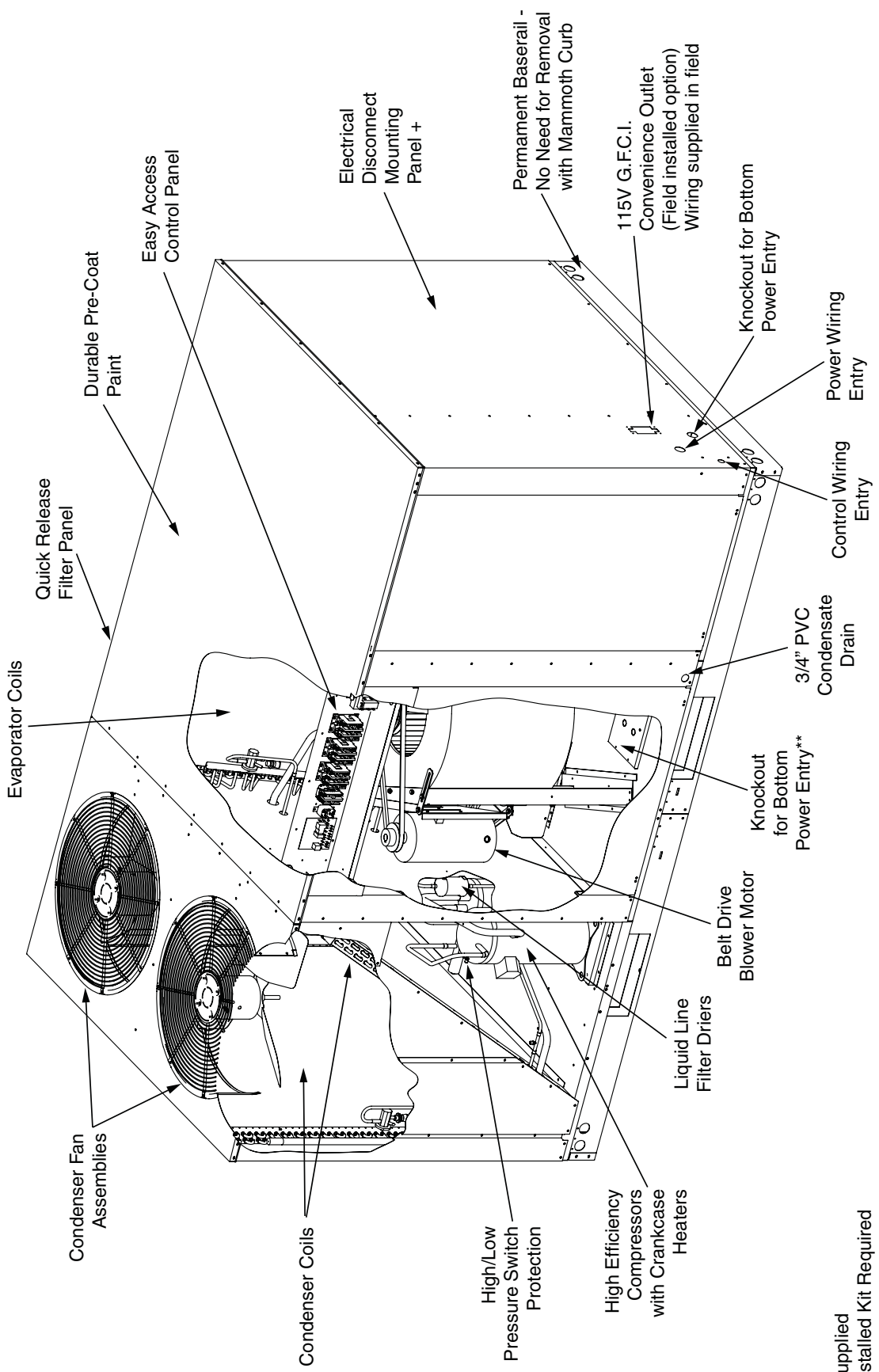


WARRANTY

- 1 year limited parts
- 5 year compressor

FEATURES and BENEFITS

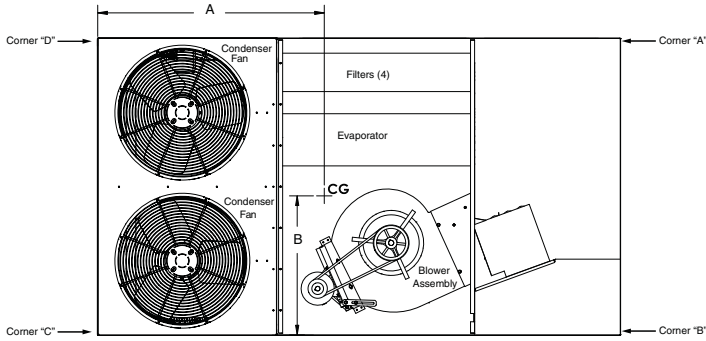
- **Quality Compressor:** State of the art scroll compressor is standard equipment.
- **R-410A Refrigerant:** Earth friendly non-ozone depleting refrigerant.
- **7 ½ & 10 Ton Feature Two-Stage Cooling.**
- **6 Ton Features Single Stage Cooling.**
- **Optional Electric Heat:** Field installed 9 – 35 KW.
- **Hi/Low Pressure Switches:** Ensure long compressor life. Featuring manual reset high pressure control.
- **Copper Tube / Aluminum Fin Coils:** Both indoor and outdoor coils are designed to optimize heat transfer, minimize size and cost, and increase durability and reliability.
- **Plastic Mesh Hail Guard:** A guard that will never rust and protects the units coil from being damaged.
- **For Easy Service:** Hi/low service ports allow quick access without disrupting operation.
- **Permanently Lubricated Motor:** A heavy duty PSC motor for long lasting reliability and quiet operation. Requires no maintenance and is completely protected from rain and snow.
- **75 VA Transformer:** Includes 4 Amp circuit breaker to protect low voltage circuit.
- **Liquid Line Filter Driers:** Factory installed for convenience.
- **Crankcase Heater:** Protection from liquid floodback and future compressor failures.
- **Freeze protection thermostats:** Provide reliable compressor operation.
- **Easy Compressor and Control Access:** Designed to make servicing easier for the contractor, access panels are provided to all controls and the compressor from the side of the unit.
- **Convertible Air Delivery with Kit:** Easily converts to horizontal airflow with side panel including duct flange and bottom close off panels.
- **Quick-Release Filter Access Panels:** Requires no special servicing tools.
- **Fully Insulated Bottom Pan:** Helps ensure quiet operation and prevents condensation.
- **Removable Top Grille Assembly:** Allows ease of service to the fan motor.
- **Full Perimeter Base rail System:** Base rails have rigging holes and do not need to be removed for curb applications. Base rails have fork truck slots on three sides.
- **Durable, Attractive Cabinet:** Designed using 20 gauge galvanized steel with a polyester urethane finish. The 950 hour salt spray finish is 1.5 mil thick and resists corrosion 50% better than comparable units.
- **Compatibility:** Fits most standard rooftop applications can be easily adapted for exceptions. Footprint database available for cross-reference at <http://www.rooftopsystems.com> under the "Adapter Quote" tab.



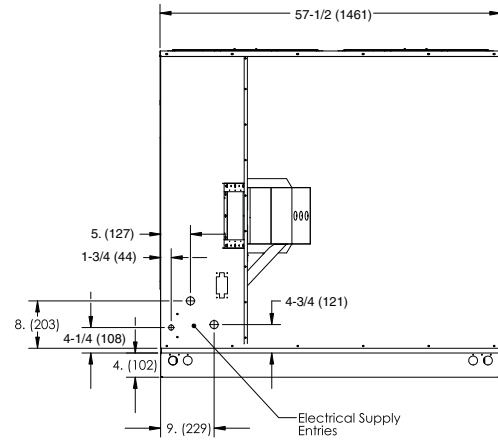
+ Field Supplied
 ** Field Installed Kit Required

P6SP-120 SERIES – PHYSICAL DATA

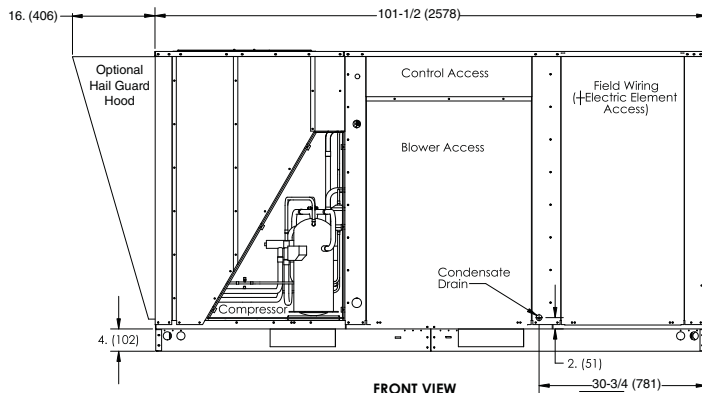
Dimensions shown in inches (mm)



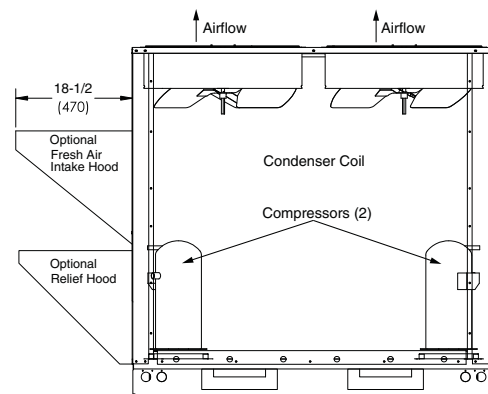
TOP VIEW



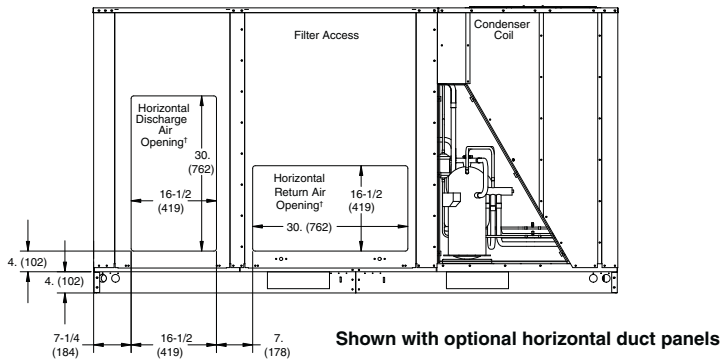
HEAT EXCHANGER END



FRONT VIEW

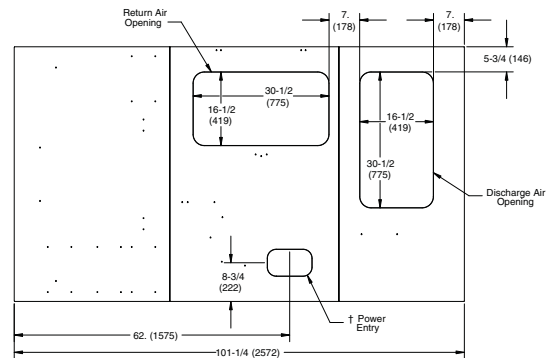


CONDENSER END



Shown with optional horizontal duct panels

REAR VIEW



BOTTOM PAN TOP VIEW

Preliminary Data

Model No.	Unit Weight ‡		Shipping Weight		Center of Gravity Inches (mm)		Corner Weights								Unit Height *	
	Lbs.	Kg.	Lbs.	Kg.	A	B	A		B		C		D		Horizontal Duct Applications	Vertical Duct Applications
							Lbs.	Kg.	Lbs.	Kg.	Lbs.	Kg.	Lbs.	Kg.		
P6SP-072(C/D)	845	384	980	445	43-1/2 (1105)	32-1/4 (819)	159	72	204	93	270	123	211	96	43-1/2 (1105)	38-1/4 (972)
P6SP-090(C/D)	856	388	991	450	50-1/2 (1283)	28 (714)	209	95	218	99	219	99	210	95	43-1/2 (1105)	38-1/4 (972)
P6SP-120(C/D)	1130	514	1270	577	44 (1118)	27 (686)	226	103	264	120	345	157	295	134	55-1/4 (1403)	50 (1270)

* Baserrails are not intended to be removed. Information provided is total unit height for Horizontal duct applications or height dimension added to selected roof curb height for Vertical duct applications.

‡ Unit weight without packaging or field installed accessories.

† Field Installed Kit

SPECIFICATIONS AND ELECTRICAL DATA

Model P6SP-	072C	072D	090C	090D	120C	120D
Performance Data						
Gross Cooling Capacity (High) - BTUH	73,300	73,300	93,500	93,500	125,000	125,000
¹ Rated Cooling Capacity (Net @ 95°) - BTUH	72,000	72,000	90,000	90,000	119,000	119,000
^{1,2} E.E.R. - Cooling Efficiency (Btu/Watt)	11.2	11.2	11.2	11.2	11.2	11.2
^{1,3} Cooling Capacity (IPLV, 2-Stage) - BTUH	- n/a -	- n/a -	101,000	101,000	132,000	132,000
^{1,3} Cooling Capacity (IPLV, 1-Stage) - BTUH	- n/a -	- n/a -	52,500	52,500	63,000	63,000
IEER	12.6	12.6	12.3	12.3	11.5	11.5
AHRI Rated Airflow - CFM	2,400	2,400	3,000	3,000	4,000	4,000
Electrical Rating - 60 Hz.						
w/ Standard Blower Drive						
Phase	3	3	3	3	3	3
Operating Voltage	187-253	414-506	187-253	414-506	187-253	414-506
Maximum Rated Ampacity	26	13	37	18	43	21
Minimum Circuit Ampacity (MCA)	30	16	44	21	47	23
Max. Overcurrent Protection (MOP)	40	20	50	25	60	30
Electrical Rating - 60 Hz.						
w/ Med Static Blower Drive			w/ High Static Blower Drive			
Phase	3	3	3	3	3	3
Operating Voltage	187-253	414-506	187-253	414-506	187-253	414-506
Maximum Rated Ampacity	27	14	40	19	46	23
Minimum Circuit Ampacity (MCA)	32	16	44	21	50	25
Max. Overcurrent Protection (MOP)	50	25	50	25	60	30
Compressor Data						
	1 ea.	1 ea.	2 ea.	2 ea.	2 ea.	2 ea.
Compressors (Scrolls)	ZP61KCE	ZP61KCE	ZP39K5E	ZP39K5E	ZP51K5E	ZP51K5E
Volts	208/230	460	208/230	460	208/230	460
⁴ Rated Load Amps	21.2	10.9	13.1	6.1	17.8	8.6
Lock Rotor Amps	123.0	62.0	83.1	41.0	110	52
Indoor Blower - Belt Drive						
(Qty.) - Wheel Diameter	(1) - 12 x 12	(1) - 12 x 12	(1) - 12 x 12	(1) - 12 x 12	(1) - 15 x 15	(1) - 15 x 15
Standard Blower Drive Motor - HP / RPM						
	1 / 1755	1 / 1755	2 / 1725	2 / 1725	2 / 1725	2 / 1725
Standard Blower Drive Motor - Amps	3.2	1.5	6.2	2.9	6.2	2.9
Blower RPM Range	727 - 984		817 - 1107		686 - 951	
Blower ESP Range	0.2 - 0.9 in-WC		0.1 - 0.8 in-WC		0.1 - 1.0 in-WC	
Med Static Blower Drive Motor - HP / RPM						
	1.5 / 1755	1.5 / 1755	3 / 1725	3 / 1725	N/A	
High Static Blower Drive Motor - Amps	4.4	2.1	9.1	4.4		
Blower RPM Range	926 - 1189		1000 - 1340			
Blower ESP Range	0.9 - 1.6 in-WC		0.9 - 1.6 in-WC			
High Static Blower Drive Motor - HP / RPM						
	N/A		3 / 1725	3 / 1725	3 / 1725	3 / 1725
High Static Blower Drive Motor - Amps			9.1	4.4	9.1	4.4
Blower RPM Range			1163 - 1422		936 - 1159	
Blower ESP Range			1.6 - 2.0 in-WC		1.0 - 2.0 in-WC	
Outdoor Fan Data						
	2 ea.	2 ea.	2 ea.	2 ea.	2 ea.	2 ea.
Motor - HP / RPM	1/3 - 1100	1/3 - 1100	1/3 - 1075	1/3 - 1075	1/3 - 1075	1/3 - 1075
Motor Amps (ea.)	1.5	0.8	2.3	1.2	2.3	1.2
Fan Diameter / Total CFM	20" / 7000	20" / 7000	24" / 8200	24" / 8200	24" / 8200	24" / 8200
Refrigerant Charge - oz. (R-410a)						
Stage 1 Circuit	168 Oz.		168 Oz.		216 Oz.	
Stage 2 Circuit	Not Applicable		168 Oz.		216 Oz.	
High Pressure Switch (PSIG)	650 +/- 10 Manual Reset		Stage 1 - 650 +/- 10 Manual Reset			
			Stage 2 - 650 +/- 10 Manual Reset			
Loss of Charge Switch (PSIG)	Cut Out: 5 +/- 5 Cut In: 20 +/- 5					
Freeze Protection Thermostats	Opens (°F): 28 +/- 5 Closes (°F): 57 +/- 6					
Filters						
Style	Disposable - 2" Pleated					
Size (Qty.)	16" x 20" x 2" (4)		16" x 20" x 2" (4)		16" x 25" x 2" (4)	

Notes:

- 1) Certified in accordance with AHRI Standard 340/360 at the minimum duct external static pressure allowed by the standard. ARI Rating for units with dual voltages are shown at highest rated unit voltage.
- 2) E.E.R. - Energy Efficiency Ratio: The EER and Net Capacity is determined @ 95°F Outdoor DB & 80°F DB / 67°F WB Air entering the evaporator
- 3) IEER - Integrated Energy Efficiency Ratio: a measure of merit for part load performance of the unit.
- 4) Compressor RLA = Compressor MCC ÷ 1.4

P6SP - EXPANDED RATINGS, COOLING MODE

P6SP-072(C/D)

O.D.T			85°F			95°F			105°F			115°F		
CFM	E.D.B.	E.W.B.	T.C.	S.C.	kW	T.C.	S.C.	kW	T.C.	S.C.	kW	T.C.	S.C.	kW
2250	75	62	68.4	52.3	5.64	63.1	49.9	6.24	57.7	47.6	6.85	52.4	45.2	7.46
		67	76.1	41.1	5.73	70.6	39.0	6.33	65.0	36.8	6.92	59.5	34.7	7.52
		72	84.7	32.3	5.82	78.7	30.2	6.41	72.8	28.2	7.01	66.8	26.1	7.60
	80	62	68.7	63.0	5.65	63.7	60.5	6.21	58.6	57.9	6.78	54.4	54.2	7.47
		67	76.1	52.3	5.74	71.4	50.3	6.28	66.7	48.2	6.83	60.7	45.5	7.54
		72	84.1	41.5	5.85	78.8	39.4	6.37	73.4	37.2	6.89	67.0	34.5	7.55
2400	75	62	69.2	54.2	5.73	63.9	51.7	6.34	58.6	49.3	6.95	53.3	46.8	7.55
		67	77.1	42.4	5.81	71.6	40.0	6.41	66.2	37.6	7.01	60.7	35.2	7.61
		72	85.9	32.3	5.92	79.9	30.5	6.51	73.8	28.7	7.10	67.8	26.9	7.70
	80	62	69.7	64.4	5.75	65.1	61.4	6.35	60.5	58.5	6.95	55.9	55.6	7.55
		67	77.0	54.1	5.82	72.0	51.7	6.43	65.9	49.4	7.08	60.4	47.0	7.71
		72	85.1	42.7	5.92	79.5	40.3	6.50	73.9	37.9	7.09	68.2	35.5	7.67
2550	75	62	70.0	56.0	5.82	64.7	53.5	6.43	59.5	50.9	7.04	54.2	48.4	7.65
		67	78.0	43.7	5.89	72.7	41.0	6.50	67.3	38.4	7.10	61.9	35.7	7.71
		72	87.0	32.2	6.01	81.0	30.7	6.61	74.9	29.1	7.20	68.8	27.6	7.79
	80	62	70.6	65.8	5.85	66.2	62.8	6.45	62.5	60.9	6.97	57.3	56.9	7.63
		67	77.9	56.0	5.90	72.6	53.4	6.50	67.4	50.9	7.11	62.2	48.3	7.71
		72	86.1	43.9	5.98	80.6	41.4	6.59	75.0	38.9	7.19	69.5	36.4	7.79

P6SP-072(C/D) CONTINUED

O.D.T			55°F			65°F			75°F			85°F		
CFM	E.D.B.	E.W.B.	T.C.	S.C.	kW	T.C.	S.C.	kW	T.C.	S.C.	kW	T.C.	S.C.	kW
2250	75	62	78.6	57.9	4.49	75.2	56.0	4.87	71.8	54.2	5.25	68.4	52.3	5.64
		67	86.8	46.7	4.59	83.2	44.8	4.97	79.7	43.0	5.35	76.1	41.1	5.73
		72	95.0	36.1	4.70	91.6	34.8	5.07	88.1	33.6	5.45	84.7	32.3	5.82
	80	62	79.2	68.9	4.47	75.8	66.9	4.85	72.8	65.5	5.21	68.7	63.0	5.65
		67	87.3	58.2	4.57	83.8	56.3	4.95	80.6	54.9	5.31	76.1	52.3	5.74
		72	95.0	45.6	4.69	91.6	44.3	5.06	88.8	43.5	5.41	84.1	41.5	5.85
2400	75	62	79.6	59.7	4.58	76.1	57.8	4.97	72.6	56.0	5.35	69.2	54.2	5.73
		67	87.6	48.0	4.68	84.1	46.1	5.06	80.6	44.3	5.44	77.1	42.4	5.81
		72	95.6	36.0	4.79	92.4	34.8	5.17	89.1	33.5	5.54	85.9	32.3	5.92
	80	62	80.2	70.6	4.57	76.7	68.7	4.95	73.6	67.3	5.31	69.7	64.4	5.75
		67	88.1	59.5	4.66	84.6	57.6	5.03	81.5	56.2	5.39	77.0	54.1	5.82
		72	95.6	45.5	4.78	92.4	44.2	5.15	89.8	43.4	5.50	85.1	42.7	5.92
2550	75	62	80.5	61.5	4.68	77.0	59.6	5.06	73.5	57.8	5.44	70.0	56.0	5.82
		67	88.3	49.3	4.77	84.9	47.4	5.15	81.5	45.6	5.52	78.0	43.7	5.89
		72	96.2	35.9	4.88	93.1	34.7	5.26	90.1	33.4	5.64	87.0	32.2	6.01
	80	62	81.1	72.4	4.66	77.6	70.5	5.04	74.5	69.2	5.40	70.6	65.8	5.85
		67	88.8	60.8	4.75	85.5	58.9	5.12	82.4	57.5	5.48	77.9	56.0	5.90
		72	96.2	45.4	4.88	93.2	44.1	5.24	90.8	43.4	5.60	86.1	43.9	5.98

- Notes:
- 1) T.C. = Total (Net) Cooling Capacity, S.C. = Sensible Cooling Capacity, kW = Kilowatts
 - 2) Expanded Ratings are based on 230 Volt - 60 Hz operation
 - 3) Ratings based on factory standard blower drive
 - 4) Bolded Values indicate ARI rating points
 - 5) Energy Efficiency Ratio (EER) = T.C. / kW

P6SP - EXPANDED RATINGS, COOLING MODE

P6SP-090(C/D) (Two Compressor Operation)

O.D.T			85°F			95°F			105°F			115°F		
CFM	E.D.B.	E.W.B.	T.C.	S.C.	kW	T.C.	S.C.	kW	T.C.	S.C.	kW	T.C.	S.C.	kW
2813	75	62	85.3	65.2	7.08	81.3	63.9	7.74	73.4	62.7	8.84	68.5	61.2	9.39
		67	93.3	52.4	7.19	88.8	51.2	7.84	80.1	50.0	8.94	74.8	48.6	9.46
		72	101.9	39.3	7.31	97.3	38.0	7.97	87.7	36.7	9.06	82.0	35.3	9.59
	80	62	86.0	76.5	7.09	82.2	75.5	7.75	74.3	74.5	8.85	69.8	73.6	9.40
		67	92.9	64.4	7.18	88.6	63.4	7.84	80.0	62.4	8.94	74.7	61.2	9.46
		72	101.7	51.4	7.31	97.0	50.4	7.96	87.5	49.3	9.06	81.6	48.1	9.58
3000	75	62	86.8	69.4	7.27	82.7	68.1	7.93	74.5	66.8	9.05	69.5	65.3	9.57
		67	94.6	55.2	7.38	90.0	54.0	8.03	80.9	52.7	9.14	75.3	51.3	9.64
		72	103.5	40.4	7.51	98.6	39.1	8.17	88.8	37.8	9.27	82.9	36.3	9.78
	80	62	87.9	81.9	7.29	84.3	81.8	7.96	76.6	80.3	9.08	72.2	76.4	9.60
		67	94.5	68.5	7.38	90.0	67.5	8.04	81.2	66.5	9.14	75.6	65.3	9.65
		72	103.1	54.2	7.51	98.2	53.1	8.16	88.4	52.0	9.26	82.5	50.9	9.78
3188	75	62	87.9	73.3	7.46	83.7	72.0	8.12	75.3	70.7	9.24	70.2	69.1	9.75
		67	95.3	57.8	7.57	90.3	56.5	8.22	81.2	55.1	9.32	75.7	53.6	9.82
		72	104.6	41.4	7.71	99.5	40.1	8.36	89.6	38.7	9.46	83.5	37.3	9.95
	80	62	90.3	88.4	7.50	86.7	86.3	8.16	78.7	78.3	8.49	74.0	73.7	9.80
		67	95.6	72.5	7.57	91.1	71.4	8.23	82.0	70.4	8.56	76.6	69.2	9.83
		72	104.1	56.8	7.70	98.9	55.7	8.35	88.9	54.7	8.68	82.4	53.4	9.95

P6SP-090 (C/D) (One Compressor operation)

O.D.T			55 °F			65 °F			75 °F			85 °F		
CFM	E.D.B.	E.W.B.	T.C.	S.C.	kW	T.C.	S.C.	kW	T.C.	S.C.	kW	T.C.	S.C.	kW
2825	75	62	58.5	52.6	3.74	52.5	47.2	3.88	48.0	44.1	4.10	45.0	43.2	4.42
		67	64.7	44.3	3.81	58.8	38.9	3.95	54.3	35.8	4.18	51.3	34.9	4.49
		72	71.7	35.0	3.90	65.8	29.7	4.04	61.3	26.6	4.26	58.2	25.7	4.57
	80	62	59.3	59.3	3.78	53.3	53.3	3.92	48.8	48.8	4.15	45.8	45.8	4.46
		67	64.6	57.4	3.85	58.7	52.0	3.98	54.2	48.9	4.21	51.1	48.0	4.52
		72	70.5	49.5	3.92	64.6	44.1	4.06	60.1	41.0	4.28	57.0	40.1	4.59
3000	75	62	59.0	53.7	3.77	53.1	48.3	3.91	48.6	45.2	4.14	45.5	44.3	4.45
		67	65.3	45.3	3.85	59.4	40.0	3.99	54.9	36.9	4.21	51.8	36.0	4.53
		72	72.2	36.1	3.93	66.3	30.8	4.07	61.8	27.6	4.30	58.8	26.8	4.61
	80	62	59.8	59.8	3.82	53.9	53.9	3.96	49.4	49.4	4.18	46.3	46.3	4.49
		67	65.1	58.4	3.88	59.2	53.1	4.02	54.7	50.0	4.24	51.6	49.1	4.56
		72	71.1	50.6	3.95	65.1	45.2	4.09	60.6	42.1	4.32	57.6	41.2	4.63
3190	75	62	59.5	55.3	3.77	53.6	50.0	3.90	49.1	46.8	4.13	46.0	46.0	4.44
		67	65.8	47.0	3.84	59.8	41.6	3.98	55.3	38.5	4.20	52.3	37.6	4.52
		72	72.7	37.8	3.92	66.8	32.4	4.06	62.3	29.3	4.29	59.2	28.4	4.60
	80	62	60.3	60.3	3.81	54.4	54.4	3.95	49.9	49.9	4.17	46.8	46.8	4.49
		67	65.6	60.1	3.87	59.7	54.7	4.01	55.2	51.6	4.24	52.1	50.7	4.55
		72	71.5	52.2	3.94	65.6	46.9	4.08	61.1	43.7	4.31	58.0	42.9	4.62

Notes:

- 1) T.C. = total (Net) cooling in kBtu/h; S.C. = Sensible Cooling in kBtu/h; kW = Kilowatts
- 2) Ratings are based on the Factory Standard blower drive combination
- 3) For 208-230V Units, the ratings shown reflect 230V operation
- 4) **Bolded** Values indicate AHRI rating points
- 5) Energy Efficiency Ratio (EER) = T.C./kW

P6SP - EXPANDED RATINGS, COOLING MODE

P6SP-120(C/D) (Two Compressor Operation)

O.D.T			85°F			95°F			105°F			115°F		
CFM	E.D.B.	E.W.B.	T.C.	S.C.	kW	T.C.	S.C.	kW	T.C.	S.C.	kW	T.C.	S.C.	kW
3500	75	62	112.7	86.5	9.36	107.5	84.9	10.24	97.0	83.3	11.68	90.5	81.3	12.41
		67	123.3	69.6	9.50	117.4	68.0	10.37	105.9	66.3	11.82	98.8	64.5	12.50
		72	134.7	52.2	9.67	128.6	50.5	10.53	115.9	48.7	11.98	108.4	46.9	12.68
	80	62	113.7	101.5	9.37	108.6	100.3	10.25	98.2	98.9	11.71	92.3	97.8	12.43
		67	122.8	85.5	9.49	117.2	84.2	10.36	105.7	82.8	11.82	98.8	81.3	12.51
		72	134.4	68.3	9.67	128.2	66.9	10.53	115.6	65.5	11.98	107.9	63.9	12.67
4000	75	62	114.8	92.1	9.62	109.3	90.4	10.49	98.5	88.7	11.96	91.8	86.7	12.65
		67	125.0	73.3	9.76	118.9	71.6	10.62	107.0	70.0	12.08	99.6	68.1	12.74
		72	136.8	53.6	9.93	130.3	51.9	10.80	117.4	50.1	12.25	109.6	48.2	12.93
	80	62	116.2	108.8	9.64	111.5	108.6	10.52	101.3	106.6	12.01	95.4	101.5	12.69
		67	124.9	91.0	9.75	119.0	89.6	10.62	107.3	88.3	12.09	100.0	86.7	12.75
		72	136.3	71.9	9.93	129.8	70.5	10.79	116.9	69.1	12.25	109.1	67.6	12.92
4500	75	62	116.2	97.4	9.87	110.7	95.6	10.74	99.6	93.9	12.22	92.8	91.8	12.89
		67	125.9	76.8	10.00	119.4	75.0	10.86	107.3	73.2	12.33	100.0	71.2	12.98
		72	138.2	55.0	10.19	131.6	53.2	11.05	118.4	51.4	12.51	110.4	49.5	13.16
	80	62	119.4	117.4	9.91	114.6	114.6	10.79	104.0	104.0	11.22	97.8	97.8	12.95
		67	126.4	96.2	10.01	120.4	94.9	10.88	108.5	93.5	11.31	101.2	91.9	13.00
		72	137.6	75.4	10.18	130.7	74.0	11.04	117.5	72.6	11.48	108.9	70.9	13.16

- Notes:
- 1) T.C. = Total (Net) Cooling Capacity, S.C. = Sensible Cooling Capacity, kW = Kilowatts
 - 2) Expanded Ratings are based on 230 Volt - 60 Hz operation
 - 3) Bolded Values indicate ARI rating points
 - 4) Energy Efficiency Ratio (EER) = T.C. / kW

BLOWER PERFORMANCE - DOWN FLOW CONFIGURATION

P6SP-072 SERIES

Model	Motor Sheave Position	External Static Pressures (Inches Water Column)																								
		0.2			0.3			0.4			0.5			0.6			0.7			0.8			0.9			
		CFM	RPM	Kw	CFM	RPM	Kw	CFM	RPM	Kw	CFM	RPM	Kw	CFM	RPM	Kw	CFM	RPM	Kw	CFM	RPM	Kw	CFM	RPM	Kw	
P6SP-072 (1 HP) Factory Standard Drive Kit	Fully Closed																									
	1/2 Turn Open																				2403	981	1.00	2230	984	0.94
	1 Turn Open																	2509	956	1.01	2318	959	0.92	2112	962	0.83
	1.5 Turns Open																2362	930	0.91	2158	933	0.82	1960	936	0.75	
	2.0 Turns Open									2593	897	0.96	2395	901	0.87	2214	904	0.81	1998	907	0.72	1807	910	0.68		
	2.5 Turns Open							2680	874	0.95	2458	876	0.88	2255	880	0.79	2042	883	0.72							
	3.0 Turns Open				2751	850	0.94	2559	852	0.86	2322	855	0.80	2115	858	0.71	1870	861	0.63							
	3.5 Turns Open				2617	826	0.85	2405	829	0.76	2181	831	0.71	1960	834	0.63										
	4.0 Turns Open	2656	797	0.81	2483	801	0.76	2251	805	0.66	2040	807	0.62	1805	809	0.55										
	4.5 Turns Open	2539	771	0.73	2334	774	0.67	2098	778	0.59	1870	780	0.54													
*5 Turns Open	2422	744	0.66	2185	747	0.58	1945	750	0.52																	

Model	Motor Sheave Position	External Static Pressures (Inches Water Column)																								
		0.9			1.0			1.1			1.2			1.3			1.4			1.50			1.60			
		CFM	RPM	Kw	CFM	RPM	Kw	CFM	RPM	Kw	CFM	RPM	Kw	CFM	RPM	Kw	CFM	RPM	Kw	CFM	RPM	Kw	CFM	RPM	Kw	
P6SP-072 (1.5 HP) Medium Static Drive Kit	Fully Closed																									
	1/2 Turn Open																				2455	1185	1.45	2241	1189	1.40
	1 Turn Open														2557	1155	1.47	2357	1157	1.40	2267	1160	1.35			
	1.5 Turns Open						2770	1123	1.55	2563	1127	1.41	2402	1129	1.33	2182	1131	1.25								
	2.0 Turns Open						2558	1098	1.36	2401	1102	1.25	2246	1103	1.19	2006	1105	1.09								
	2.5 Turns Open				2595	1066	1.29	2392	1071	1.20	2222	1076	1.13													
	3.0 Turns Open	2598	1039	1.23	2405	1040	1.13	2225	1044	1.04	2043	1049	1.00													
	3.5 Turns Open	2437	1014	1.10	2232	1016	1.01																			
	4.0 Turns Open	2275	988	0.97	2059	991	0.89																			
	4.5 Turns Open	2097	960	0.87																						
*5 Turns Open	1919	931	0.77																							

NOTES: * Denotes Factory sheave setting.
 All Performance Curve data collected at 230V
 Boldface type indicates factory recommended blower operating range.
 Values include losses for air filters, unit casing, and dry evaporator coil.
 See Accessory Performance Data for additional static pressure information.

Low Static Drive Consists of: 1 Hp Motor; 1VP40 Motor Sheave; AK66 Blower Pulley & A-44 belt
 Med Static Drive Consists of: 1.5 Hp Motor; 1VP44 Motor Sheave; AK59 Blower Pulley & A-43 belt

BLOWER PERFORMANCE - HORIZONTAL FLOW CONFIGURATION

P6SP-072 SERIES

Model	Motor Sheave Position	External Static Pressures (Inches Water Column)																								
		0.2			0.3			0.4			0.5			0.6			0.7			0.8			0.9			
		CFM	RPM	Kw	CFM	RPM	Kw	CFM	RPM	Kw	CFM	RPM	Kw	CFM	RPM	Kw	CFM	RPM	Kw	CFM	RPM	Kw	CFM	RPM	Kw	
P6SP-072 (1 HP) Low Static Drive Kit	Fully Closed																									
	1/2 Turn Open																									
	1 Turn Open																				2572	937	1.04	2325	940	0.93
	1.5 Turns Open																				2383	915	0.93	2137	919	0.82
	2.0 Turns Open														2687	885	0.98	2460	889	0.90	2193	892	0.82	1948	898	0.72
	2.5 Turns Open														2518	862	0.88	2276	865	0.80	2007	869	0.73			
	3.0 Turns Open														2591	836	0.88	2349	838	0.79	2092	841	0.70	1821	846	0.63
	3.5 Turns Open							2654	808	0.85	2425	812	0.77	2177	815	0.69										
	4.0 Turns Open				2720	781	0.82	2504	784	0.74	2258	788	0.67	2005	791	0.59										
	4.5 Turns Open				2584	755	0.75	2346	757	0.67	2081	760	0.60													
*5 Turns Open	2665	727	0.74	2447	729	0.67	2188	730	0.60	1904	731	0.54														

Model	Motor Sheave Position	External Static Pressures (Inches Water Column)																								
		0.9			1.0			1.1			1.2			1.3			1.4			1.50			1.60			
		CFM	RPM	Kw	CFM	RPM	Kw	CFM	RPM	Kw	CFM	RPM	Kw	CFM	RPM	Kw	CFM	RPM	Kw	CFM	RPM	Kw	CFM	RPM	Kw	
P6SP-072 (1.5 HP) Medium Static Drive Kit	Fully Closed																									
	1/2 Turn Open																									
	1 Turn Open																							2558	1159	1.48
	1.5 Turns Open																2675	1126	1.47	2487	1133	1.37	2208	1137	1.20	
	2.0 Turns Open														2710	1096	1.45	2492	1100	1.33	2195	1109	1.17			
	2.5 Turns Open														2663	1067	1.35	2465	1071	1.26						
	3.0 Turns Open							2682	1039	1.29	2452	1041	1.18	2219	1046	1.07										
	3.5 Turns Open				2677	1012	1.23	2469	1015	1.13																
	4.0 Turns Open	2716	985	1.17	2491	987	1.09	2255	990	0.98																
	4.5 Turns Open	2500	956	1.05	2250	959	0.94																			
*5 Turns Open	2284	926	0.93																							

NOTES: * Denotes Factory sheave setting.
 All Performance Curve data collected at 230V
 Boldface type indicates factory recommended blower operating range.
 Values include losses for air filters, unit casing, and dry evaporator coil.
 See Accessory Performance Data for additional static pressure information.

Low Static Drive Consists of: 1 Hp Motor; 1VP40 Motor Sheave; AK66 Blower Pulley & A-44 belt
 Med Static Drive Consists of: 1.5 Hp Motor; 1VP44 Motor Sheave; AK59 Blower Pulley & A-43 belt

BLOWER PERFORMANCE - DOWNFLOW CONFIGURATION

P6SP-090 SERIES

2 HP Low Static Drive: External Static Pressures (Inches Water Column)

Model	Motor Sheave Position	0.1			0.2			0.3			0.4			0.5			0.6			0.7			0.8			0.9			
		CFM	RPM	Kw	CFM	RPM	Kw	CFM	RPM	Kw	CFM	RPM	Kw	CFM	RPM	Kw	CFM	RPM	Kw	CFM	RPM	Kw	CFM	RPM	Kw	CFM	RPM	Kw	
P6SP-090 (2 HP) Low Static Drive Kit	Fully Closed																												
	1/2 Turn Open																												
	1 Turn Open																												
	1.5 Turns Open																												
	2.0 Turns Open																												
	2.5 Turns Open																												
	3.0 Turns Open																												
	3.5 Turns Open	3445	923	1.63	3309	925	1.52	3162	925	1.43	3019	928	1.33	2850	930	1.25	2664	933	1.15	2424	934	1.06							
	4.0 Turns Open	3330	895	1.50	3176	897	1.36	3028	898	1.29	2871	900	1.21	2688	902	1.15	2492	905	1.08										
	*4.5 Turns Open	3187	866	1.42	3048	868	1.30	2886	870	1.24	2716	871	1.13	2512	873	1.03													
5.0 Turns Open	3044	837	1.34	2919	838	1.23	2744	841	1.19	2561	842	1.06	2336	843	0.91														

3HP Medium Static Drive: External Static Pressures (Inches Water Column)

Model	Motor Sheave Position	0.8			0.9			1			1.1			1.2			1.3			1.40			1.50			1.60		
		CFM	RPM	Kw	CFM	RPM	Kw	CFM	RPM	Kw	CFM	RPM	Kw	CFM	RPM	Kw	CFM	RPM	Kw	CFM	RPM	Kw	CFM	RPM	Kw	CFM	RPM	Kw
P6SP-090 (3 HP) Medium Static Drive Kit	Fully Closed																											
	1 Turn Open																											
	1.5 Turns Open																											
	2.0 Turns Open																											
	2.5 Turns Open																											
	3.0 Turns Open																											
	3.5 Turns Open	3415	1119	1.92	3247	1121	1.82	3072	1124	1.66	2849	1127	1.57	2598	1133	1.42												
	4.0 Turns Open	3252	1088	1.73	3052	1092	1.62	2887	1095	1.47	2621	1097	1.39															
	*4.5 Turns Open	3042	1059	1.62	2834	1063	1.53	2658	1065	1.39																		
	5.0 Turns Open	2831	1030	1.50	2615	1033	1.43	2428	1035	1.31																		

3HP High Static Drive: External Static Pressures (Inches Water Column)

Model	Motor Sheave Position	1.2			1.3			1.4			1.5			1.6			1.7			1.80			1.90			2.00		
		CFM	RPM	Kw	CFM	RPM	Kw	CFM	RPM	Kw	CFM	RPM	Kw	CFM	RPM	Kw	CFM	RPM	Kw	CFM	RPM	Kw	CFM	RPM	Kw	CFM	RPM	Kw
P6SP-090 (3 HP) High Static Drive Kit	Fully Closed																											
	1 Turn Open																											
	1.5 Turns Open																											
	2.0 Turns Open																											
	2.5 Turns Open																											
	3.0 Turns Open																											
	3.5 Turns Open																											
	4.0 Turns Open	3451	1235	2.28	3292	1238	2.11	3073	1243	1.99	2829	1247	1.85	2662	1249	1.71												
	*4.5 Turns Open	3232	1207	2.04	3043	1210	1.87	2828	1214	1.76	2624	1219	1.63															
	5.0 Turns Open	3012	1178	1.81	2794	1182	1.63	2583	1184	1.54																		

NOTES: * Denotes Factory sheave setting.

Low Static Drive Consists of: 2 Hp Motor; 1VP40 Motor Sheave; AK59 Blower Pulley & A-43 belt.

Med Static Drive Consists of: 3 Hp Motor; 1VP44 Motor Sheave; AK 54 Blower Pulley & A-42 belt.

High Static Drive Consists of: 3 Hp Motor; 1VP50 Motor Sheave; AK 56 Blower Pulley & A-43 belt.

Boldface type indicates factory recommended blower operating range.

Values include losses for air filters, unit casing, and dry evaporator coil.

See Accessory Performance Data table for additional static pressure information.

BLOWER PERFORMANCE HORIZONTAL FLOW CONFIGURATION

P6SP-090 SERIES

2 HP Low Static Drive: External Static Pressures (Inches Water Column)

Model	Motor Sheave Position	0.1			0.2			0.3			0.4			0.5			0.6			0.7			0.8			0.9				
		CFM	RPM	Kw	CFM	RPM	Kw	CFM	RPM	Kw	CFM	RPM	Kw	CFM	RPM	Kw	CFM	RPM	Kw	CFM	RPM	Kw	CFM	RPM	Kw	CFM	RPM	Kw		
P6SP-090 (2 HP) Low Static Drive Kit	Fully Closed																													
	1/2 Turn Open																													
	1 Turn Open																										3316	1065	1.82	
	1.5 Turns Open																										3319	1036	1.73	
	2.0 Turns Open																									3338	1007	1.66		
	2.5 Turns Open													<i>3464</i>	<i>970</i>	<i>1.68</i>	3300	973	1.55	3121	977	1.49	2921	979	1.39	2700	983	1.28		
	3.0 Turns Open											<i>3442</i>	<i>937</i>	<i>1.59</i>	3272	941	1.51	3110	944	1.39	2903	947	1.32	2695	950	1.25	2466	953	1.10	
	3.5 Turns Open											<i>3455</i>	<i>909</i>	<i>1.51</i>	3293	912	1.46	3120	915	1.38	2932	917	1.28	2716	920	1.19	2484	923	1.12	
	4.0 Turns Open											3323	883	1.40	3143	886	1.33	2967	888	1.24	2753	890	1.16	2529	892	1.06				
	4.5 Turns Open	<i>3433</i>	<i>846</i>	<i>1.37</i>	3321	849	1.33	3155	853	1.27	2972	856	1.20	2774	858	1.11	2550	861	1.04											
5.0 Turns Open	3331	817	1.23	3161	819	1.20	2986	822	1.13	2800	826	1.06	2580	828	0.97	<i>2347</i>	<i>831</i>	<i>0.92</i>												

3HP Medium Static Drive: External Static Pressures (Inches Water Column)

Model	Motor Sheave Position	0.8			0.9			1			1.1			1.2			1.3			1.40			1.50			1.60				
		CFM	RPM	Kw	CFM	RPM	Kw	CFM	RPM	Kw	CFM	RPM	Kw	CFM	RPM	Kw	CFM	RPM	Kw	CFM	RPM	Kw	CFM	RPM	Kw	CFM	RPM	Kw		
P6SP-090 (3 HP) Medium Static Drive Kit	Fully Closed																													
	1 Turn Open																													
	1.5 Turns Open																										<i>3399</i>	<i>1231</i>	<i>2.37</i>	
	2.0 Turns Open																									3347	1203	2.26		
	2.5 Turns Open													<i>3423</i>	<i>1162</i>	<i>2.17</i>	3268	1169	2.12	3106	1174	2.01	2924	1178	1.86					
	3.0 Turns Open												<i>3410</i>	<i>1110</i>	<i>2.07</i>	3321	1122	2.03	3198	1132	1.91	3033	1140	1.84	2864	1145	1.75	2673	1149	1.63
	3.5 Turns Open	<i>3411</i>	<i>1053</i>	<i>1.98</i>	3309	1065	1.94	3221	1083	1.89	3114	1096	1.84	2964	1103	1.56	2783	1110	1.63	2590	1115	1.56								
	4.0 Turns Open	3228	1025	1.78	3131	1039	1.75	3031	1055	1.70	2906	1070	1.64	2729	1074	1.20	2533	1080	1.41	<i>2315</i>	<i>1085</i>	<i>1.36</i>								
	4.5 Turns Open	3136	1013	1.68	3005	1022	1.59	2851	1032	1.54	2681	1043	1.46	2492	1046	1.20														
	5.0 Turns Open	3043	1000	1.58	2878	1005	1.43	2670	1009	1.38	2455	1015	1.27																	

3HP High Static Drive: External Static Pressures (Inches Water Column)

Model	Motor Sheave Position	1.2			1.3			1.4			1.5			1.6			1.7			1.80			1.90			2.00					
		CFM	RPM	Kw	CFM	RPM	Kw	CFM	RPM	Kw	CFM	RPM	Kw	CFM	RPM	Kw	CFM	RPM	Kw	CFM	RPM	Kw	CFM	RPM	Kw	CFM	RPM	Kw			
P6SP-090 (3 HP) High Static Drive Kit	Fully Closed																														
	1 Turn Open																														
	1.5 Turns Open																														
	2.0 Turns Open																											<i>3435</i>	<i>1347</i>	<i>2.73</i>	
	2.5 Turns Open																										3334	1316	2.56		
	3.0 Turns Open																										3088	1289	2.25		
	3.5 Turns Open													<i>3406</i>	<i>1278</i>	<i>2.52</i>	3240	1285	2.41	3088	1289	2.25	2921	1294	2.15						
	4.0 Turns Open												<i>3434</i>	<i>1233</i>	<i>2.44</i>	3296	1241	2.33	3168	1252	2.27	3000	1258	2.14	2869	1266	2.00				
	4.5 Turns Open												<i>3397</i>	<i>1178</i>	<i>2.34</i>	3303	1192	2.24	3214	1205	2.15	3098	1217	2.11	2929	1226	2.01	2759	1231	1.87	
	5.0 Turns Open												3341	1171	2.20	3210	1181	2.10	3065	1189	2.00	2911	1197	1.90	2717	1204	1.79				

NOTES: * Denotes Factory sheave setting.

Low Static Drive Consists of: 2 Hp Motor; 1VP40 Motor Sheave; AK59 Blower Pulley & A-43 belt

Med Static Drive Consists of: 3 Hp Motor; 1VP44 Motor Sheave; AK 54 Blower Pulley & A-42 belt

High Static Drive Consists of: 3 Hp Motor; 1VP50 Motor Sheave; AK 56 Blower Pulley & A-43 belt Values include losses for air filters, unit casing, and dry evaporator coil.

Boldface type indicates factory recommended blower operating range.

See Accessory Performance Data table for additional static pressure information.

BLOWER PERFORMANCE - DOWNFLOW CONFIGURATION

P6SP-120 SERIES

2 HP Low Static Drive: External Static Pressures (Inches Water Column)

Model	Motor Sheave Position	0.1			0.2			0.3			0.4			0.5			0.6		
		CFM	RPM	Kw	CFM	RPM	Kw	CFM	RPM	Kw	CFM	RPM	Kw	CFM	RPM	Kw	CFM	RPM	Kw
P6SP-120 (2 HP) Low Static Drive Kit	1.5 Turns Open																		
	2.0 Turns Open													4436	869	2.09	4274	873	2.03
	2.5 Turns Open							4633	845	2.08	4457	848	2.01	4281	851	1.94	4105	854	1.86
	3.0 Turns Open	4791	820	2.14	4667	823	2.04	4490	826	1.98	4317	830	1.88	4127	833	1.79	3936	835	1.70
	3.5 Turns Open	4658	800	1.98	4518	803	1.90	4337	805	1.83	4146	809	1.75	3956	811	1.66	3765	814	1.57
	4.0 Turns Open	4525	780	1.82	4368	783	1.76	4183	785	1.68	3975	788	1.61	3785	790	1.52	3594	792	1.44
	*4.5 Turns Open	4380	760	1.67	4201	762	1.61	4015	764	1.54	3810	767	1.47	3600	768	1.38	3389	770	1.29
	5.0 Turns Open	4235	739	1.53	4034	741	1.46	3847	743	1.39	3645	745	1.32	3415	747	1.23			
	5.5 Turns Open	4083	717	1.42	3882	718	1.36	3677	721	1.28	3459	723	1.18						
6.0 Turns Open	3931	694	1.30	3730	696	1.26	3506	698	1.17										

External Static Pressures (Inches Water Column)

Model	Motor Sheave Position	0.7			0.8			0.9			1.00			1.10			1.20		
		CFM	RPM	Kw	CFM	RPM	Kw	CFM	RPM	Kw	CFM	RPM	Kw	CFM	RPM	Kw	CFM	RPM	Kw
P6SP-120 (2 HP) Low Static Drive Kit	Fully Closed												3863	948	2.11	3658	951	1.95	
	1/2 Turn Open							4128	927	2.15	3945	931	2.03	3722	936	1.91	3499	941	1.79
	1 Turn Open				4208	911	2.13	4021	915	2.05	3833	919	1.96	3646	923	1.88	3458	927	1.79
	1.5 Turns Open	4223	892	2.07	4050	895	1.98	3844	899	1.89	3639	903	1.81	3433	907	1.73			
	2.0 Turns Open	4083	876	1.93	3891	879	1.82	3668	883	1.74	3444	886	1.66						
	2.5 Turns Open	3902	856	1.75	3699	858	1.64	3455	862	1.56									
	3.0 Turns Open	3722	837	1.58	3507	838	1.47												
	3.5 Turns Open	3534	816	1.46															
	4.0 Turns Open																		

3 HP High Static Drive Kit: External Static Pressures (Inches Water Column)

Model	Motor Sheave Position	0.9			1.00			1.10			1.20			1.30			1.40			
		CFM	RPM	Kw	CFM	RPM	Kw	CFM	RPM	Kw	CFM	RPM	Kw	CFM	RPM	Kw	CFM	RPM	Kw	
P6SP-120 (3 HP) High Static Drive Kit	2.5 Turns Open																			
	3.0 Turns Open												4571	1068	3.01	4387	1071	2.87		
	3.5 Turns Open											4562	1047	2.92	4366	1050	2.78	4171	1053	2.64
	4.0 Turns Open	4903	1020	3.01	4724	1023	2.90	4583	1026	2.80	4368	1029	2.69	4161	1032	2.56	3954	1035	2.42	
	4.5 Turns Open	4734	1001	2.82	4561	1005	2.72	4385	1007	2.60	4169	1010	2.49	3942	1012	2.35	3715	1015	2.20	
	5.0 Turns Open	4565	982	2.62	4397	986	2.54	4186	988	2.40	3969	990	2.29	3723	993	2.14	3476	995	1.99	
	5.5 Turns Open	4370	962	2.42	4185	965	2.34	3970	967	2.21	3724	969	2.08	3477	972	1.93				
6.0 Turns Open	4174	942	2.23	3973	944	2.14	3754	946	2.03	3479	949	1.87								

External Static Pressures (Inches Water Column)

Model	Motor Sheave Position	1.50			1.60			1.70			1.80			1.90			2.00		
		CFM	RPM	Kw	CFM	RPM	Kw	CFM	RPM	Kw	CFM	RPM	Kw	CFM	RPM	Kw	CFM	RPM	Kw
P6SP-120 (3 HP) High Static Drive Kit	Fully Closed																		
	1 Turn Open																3862	1159	3.03
	1.5 Turns Open										4102	1136	3.00	3886	1140	2.89	3762	1142	2.82
	2.0 Turns Open							4119	1117	2.96	3891	1121	2.80	3766	1123	2.74	3534	1126	2.58
	2.5 Turns Open	4354	1092	3.00	4144	1096	2.86	3934	1099	2.72	3724	1103	2.59	3565	1105	2.50			
	3.0 Turns Open	4164	1075	2.74	3941	1078	2.61	3749	1081	2.49	3556	1084	2.37						
	3.5 Turns Open	3960	1056	2.52	3750	1059	2.40	3555	1061	2.28									
	4.0 Turns Open	3757	1037	2.30	3559	1039	2.18												
	4.5 Turns Open	3493	1017	2.07															
	5.0 Turns Open																		

NOTES: * Denotes Factory sheave setting.
 Low Static Drive Consists of: 2 Hp Motor; 1VP40 Motor Sheave; BK 75 Blower Pulley & B-49 belt
 High Static Drive Consists of: 3 Hp Motor; 1VP50 Motor Sheave; BK 75 Blower Pulley & B-51 belt
 Boldface type indicates factory recommended blower operating range.
 Values include losses for air filters, unit casing, and dry evaporator coil.
 See Accessory Performance Data table for additional static pressure information.

BLOWER PERFORMANCE HORIZONTAL FLOW CONFIGURATION

P6SP-120 SERIES

2 HP Low Static Drive: External Static Pressures (Inches Water Column)

Model	Motor Sheave Position	0.1			0.2			0.3			0.4			0.5			0.6		
		CFM	RPM	Kw	CFM	RPM	Kw	CFM	RPM	Kw	CFM	RPM	Kw	CFM	RPM	Kw	CFM	RPM	Kw
P6SP-120 (2 HP) Low Static Drive Kit	1.5 Turns Open																		
	2.0 Turns Open																4521	870	2.17
	2.5 Turns Open												4549	850	2.09	4347	849	2.01	
	3.0 Turns Open									4537	822	2.06	4355	825	1.95	4172	827	1.84	
	3.5 Turns Open				4767	797	2.12	4575	799	2.02	4383	802	1.92	4190	804	1.82	3998	806	1.73
	4.0 Turns Open	4745	774	2.03	4584	776	1.93	4406	779	1.86	4228	781	1.78	4026	783	1.70	3824	785	1.61
	*4.5 Turns Open	4609	753	1.85	4445	755	1.77	4244	757	1.68	4048	759	1.62	3848	762	1.52	3619	764	1.43
	5.0 Turns Open	4473	732	1.66	4305	734	1.61	4081	735	1.51	3868	737	1.45	3669	740	1.35	3413	743	1.26
	5.5 Turns Open	4302	710	1.54	4116	712	1.47	3901	713	1.39	3678	715	1.32	3462	718	1.23			
6.0 Turns Open	4131	687	1.41	3926	689	1.34	3721	691	1.26	3488	693	1.18							

External Static Pressures (Inches Water Column)

Model	Motor Sheave Position	0.7			0.8			0.9			1.00			1.10			1.20		
		CFM	RPM	Kw	CFM	RPM	Kw	CFM	RPM	Kw	CFM	RPM	Kw	CFM	RPM	Kw	CFM	RPM	Kw
P6SP-120 (2 HP) Low Static Drive Kit	Fully Closed																		
	1/2 Turn Open												4044	927	2.12	3845	933	2.03	
	1 Turn Open									4095	908	2.15	3895	913	2.06	3670	918	1.91	
	1.5 Turns Open						4120	890	2.07	3921	894	1.96	3701	898	1.86	3457	903	1.73	
	2.0 Turns Open	4331	869	2.08	4142	873	1.96	3945	876	1.86	3747	879	1.76	3507	883	1.65	3244	887	1.54
	2.5 Turns Open	4145	847	1.92	3946	854	1.81	3740	857	1.70	3535	860	1.59	3329	863	1.48			
	3.0 Turns Open	3958	825	1.76	3750	834	1.65	3536	837	1.53	3322	840	1.41						
	3.5 Turns Open	3769	806	1.64	3543	812	1.54	3317	818	1.43									
	4.0 Turns Open	3580	788	1.52	3336	790	1.42												
	*4.5 Turns Open	3369	766	1.34															
5.0 Turns Open																			

3 HP High Static Drive Kit: External Static Pressures (Inches Water Column)

Model	Motor Sheave Position	0.9			1.00			1.10			1.20			1.30			1.40		
		CFM	RPM	Kw	CFM	RPM	Kw	CFM	RPM	Kw	CFM	RPM	Kw	CFM	RPM	Kw	CFM	RPM	Kw
P6SP-120 (3 HP) High Static Drive Kit	3.0 Turns Open																		
	3.5 Turns Open																		
	4.0 Turns Open																4558	1027	2.90
	4.5 Turns Open									4784	1003	2.94	4568	1006	2.79	4352	1009	2.65	
	5.0 Turns Open				4914	980	2.94	4738	982	2.80	4561	984	2.66	4378	987	2.53	4147	990	2.40
	5.5 Turns Open	4904	957	2.81	4717	959	2.70	4527	961	2.57	4317	964	2.43	4125	967	2.29	3897	970	2.16
	6.0 Turns Open	4685	937	2.58	4520	938	2.46	4317	940	2.34	4073	944	2.19	3871	946	2.04	3647	949	1.93

External Static Pressures (Inches Water Column)

Model	Motor Sheave Position	1.50			1.60			1.70			1.80			1.90			2.00		
		CFM	RPM	Kw	CFM	RPM	Kw	CFM	RPM	Kw	CFM	RPM	Kw	CFM	RPM	Kw	CFM	RPM	Kw
P6SP-120 (3 HP) High Static Drive Kit	1.5 Turns Open																		
	2.0 Turns Open																4083	1118	2.93
	2.5 Turns Open												4068	1096	2.87	3797	1099	2.68	
	3.0 Turns Open						4327	1072	2.96	4137	1074	2.78	3824	1077	2.60	3511	1080	2.42	
	3.5 Turns Open				4326	1052	2.87	4120	1054	2.71	3889	1057	2.54	3313	1063	2.26			
	4.0 Turns Open	4358	1030	2.74	4135	1033	2.60	3912	1036	2.46	3640	1040	2.29						
	4.5 Turns Open	4137	1012	2.50	3749	1016	2.35	3361	1020	2.20									
	5.0 Turns Open	3915	993	2.26	3363	999	2.10												
	5.5 Turns Open	3595	973	2.02															
	6.0 Turns Open																		

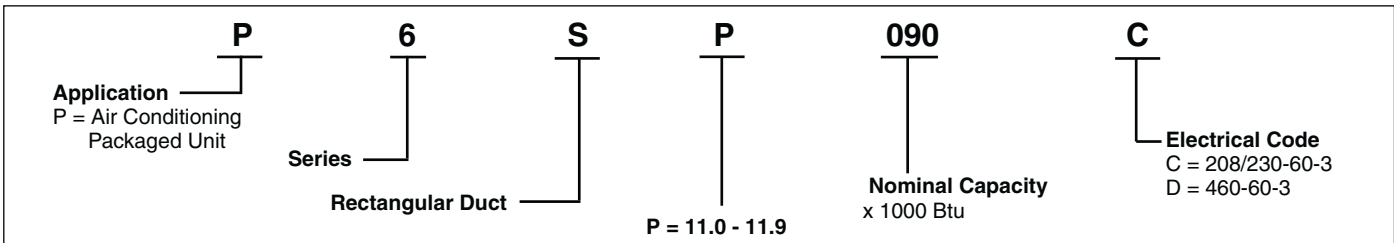
NOTES: * Denotes Factory sheave setting.
 Low Static Drive Consists of: 2 HP Motor; 1VP40 Motor Sheave; BK 75 Blower Pulley & B-49 belt
 High Static Drive Consists of: 3 HP Motor; 1VP50 Motor Sheave; BK 75 Blower Pulley & B-51 belt
 Boldface type indicates factory recommended blower operating range.
 Values include losses for air filters, unit casing, and dry evaporator coil.
 See Accessory Performance Data table for additional static pressure information.

P6SP ELECTRICAL DATA

Model Number	Nominal Electric Supply	Voltage Range	Compressors		Outdoor Electric motors (2) ea.	Indoor Motor	Single Circuit					Single Circuit						
							MCA					MOP						
Factory Drive Data:																		
P6SP		Min	Max	Qty	RLA	LRA	FLA	FLA	0 kW	9 kW	18 kW	30 kW	35 kW	0 kW	9 kW	18 kW	30 kW	35 kW
-072C	208 - 230/60/3	187	253	1	19	123	1.5	3.2 - 3.1	30 - 30	30 - 31	50 - 57	80 - 91	NA	45 - 45	45 - 45	55 - 60	90 - 100	NA
-072D	460/60/3	414	506	1	9.7	62	0.8	1.5	16	17	29	46	NA	20	20	30	50	NA
-090C	208 - 230/60/3	187	253	2	13.1	83.1	2.3	6.2 - 5.8	41 - 40	41 - 40	54 - 60	83 - 94	99 - 112	50 - 50	50 - 50	55 - 70	90 - 100	100 - 125
-090D	460/60/3	414	506	2	6.1	41	1.2	2.9	19	19	31	47	56	25	25	35	50	60
-120C	208 - 230/60/3	187	253	2	16.0	110	2.3	6.2 - 5.8	47 - 47	47 - 47	54 - 60	83 - 94	99 - 112	60 - 60	60 - 60	60 - 70	90 - 100	100 - 125
-120D	460/60/3	414	506	2	7.8	52	1.2	2.9	23	23	31	47	56	30	30	35	50	60
Medium Static Drive Data:																		
-072C	208 - 230/60/3	187	253	1	19	123	1.5	4.4 - 4.2	32 - 31	32 - 33	51 - 58	81 - 92	NA	50 - 45	50 - 45	60 - 60	90 - 100	NA
-072D	460/60/3	414	506	1	9.7	62	0.8	2.1	16	18	30	46	NA	25	25	35	50	NA
-090C	208 - 230/60/3	187	253	2	13.1	83.1	2.3	9.1 - 8.9	44 - 43	44 - 43	57 - 64	87 - 98	103 - 116	55 - 55	55 - 55	60 - 70	90 - 100	100 - 125
-090D	460/60/3	414	506	2	6.1	41	1.2	4.4	21	21	33	49	58	25	25	35	50	60
-120C	208 - 230/60/3	Not Applicable																
-120D	460/60/3	Not Applicable																
High Static Drive Data:																		
-072C	208 - 230/60/3	Not Applicable																
-072D	460/60/3	Not Applicable																
-090C	208 - 230/60/3	187	253	2	13.1	83.1	2.3	9.1 - 8.9	44 - 43	44 - 43	57 - 64	87 - 98	103 - 116	55 - 55	55 - 55	60 - 70	90 - 100	100 - 125
-090D	460/60/3	414	506	2	6.1	41	1.2	4.4	21	21	33	49	58	25	25	35	50	60
-120C	208 - 230/60/3	187	253	2	16.0	110	2.3	9.1 - 8.9	50 - 50	50 - 50	57 - 64	87 - 98	103 - 116	60 - 60	60 - 60	60 - 70	90 - 100	100 - 125
-120D	460/60/3	414	506	2	7.8	52	1.2	4.4	25	25	33	49	58	30	30	35	50	60

Notes: FLA = Full Load Amps MCA = Minimum Circuit Ampacity C Series, Electrical unit data shown for 208V - 230V
 RLA = Rated Load Amps MOP = Maximum Over-Current Protection D Series, Electrical unit data shown for 460V
 LRA = Locked Rotor Amps NA=Not Applicable

MODEL IDENTIFICATION CODE



ELECTRICAL DATA FOR POWER EXHAUST ACCESSORY KITS

Model	Part #	Volts	HP	CFM	FLA	Fuse	MCA	MOP
P6SP-072 & 090	547867	230	1/2	2350	3.0	6A	3.75	6.75
P6SP-072 & 090	547868	460	1/2	2350	1.5	3A	1.88	3.38
P6SP-120	547876	230	3/4	4900	4.0	9A	5.00	9.00
P6SP-120	547877	460	3/4	4900	2.0	4A	2.50	4.50

ACCESSORIES

NORDYNE Part #	Description	P6SP - 072	P6SP - 090	P6SP - 120
547872	Horizontal Supply & Return Kit	X	X	
547881	Horizontal Supply & Return Kit			X
547860	Hinged Roof Curb 8" High - K/D	X	X	X
547861	Hinged Roof Curb 14" High - K/D	X	X	X
547862	Hinged Roof Curb 18" High - K/D	X	X	X
547863	Hinged Roof Curb 24" High - K/D	X	X	X
559411	Hooded Hail Guard		X	
558857	Hooded Hail Guard			X
547864	0-35% Manual Outside Air Damper	X	X	
547874	0-35% Manual Outside Air Damper			X
547865	0-35% Motorized Damper - Only (Requires 547864 OR 547874 Panel Kit)	X	X	X
559375	Economizer - Modulating w/ Relief, Adapts Horizontal	X	X	
559374	Economizer - Modulating w/ Relief, Adapts Horizontal			X
920233	Sensor, Enthalpy, C7400A (For Economizer Differential Enthalpy Control)	X	X	X
547848	CO2 Sensor for economizer control - 4-9v dc	X	X	X
547867	Power Exhaust - Prop (208/230v/3ph), Adapts Horizontal	X	X	
547868	Power Exhaust - Prop (460v/3ph), Adapts Horizontal	X	X	
547876	Power Exhaust - Prop (208/230v/3ph), Adapts Horizontal			X
547877	Power Exhaust - Prop (460v/3ph), Adapts Horizontal			X
547869	20" Supply & Return Transition Round	X	X	
547870	20" Flush Mount Concentric Diffuser Round	X	X	
547871	20" Step Down Concentric Diffuser Round	X	X	
547878	18" x 28" Supply & Return Transition			X
547879	18" x 28" Flush Mount Concentric Diffuser			X
547880	18" x 28" Step Down Concentric Diffuser			X
558863	Duct Smoke Detector Photo Elect.	X	X	X
547893	Duct Smoke Detector, Remote Multi-signal control SSK 451	X	X	X
558863	Smoke Detector Sampling Tube DST3, 2-4 ft.	X	X	X
558864	Smoke Detector Sampling Tube DST5, 4-8 ft.	X	X	X
920463	Low Ambient Kit	X	X	X
920464	Bottom Power Entry Kit	X	X	
917454	Bottom Power Entry Kit			X
917423A	H5HK009Q-01 9KW - 208/240V, 3Ø	X	X	X
917424A	H5HK018Q-11 18KW - 208/240V, 3Ø	X	X	X
920614	H5HK030Q-22 30KW - 208/240V, 3Ø	X	X	X
917425A	H5HK035Q-22 35KW - 208/240V, 3Ø		X	X
920616	H5HK009S-01 9KW - 480V, 3Ø	X	X	X
917426A	H5HK018S-01 18KW - 480V, 3Ø	X	X	X
920615	H5HK030S-01 30KW - 480V, 3Ø	X	X	X
917427A	H5HK035S-01 35KW - 480V, 3Ø		X	X
920619	Thermostat-3 Stage Heat/2 Stage Cool (requires "O" & "B" terminals)	X	X	X
920609	Medium Static Drive Kit, 6T - 1.5Hp (208-230/460V / 3Ø)	X		
920607	Medium Static Drive Kit, 7.5T (208-230V / 3Ø)		X	
920606	Medium Static Drive Kit, 7.5T (460V / 3Ø)		X	
920559	High Static Drive Kit, 7.5T (208-230V / 3Ø)		X	
920558	High Static Drive Kit, 7.5T (460V / 3Ø)		X	
920395	High Static Drive Kit, 10T (208-230V / 3Ø)			X
920396	High Static Drive Kit, 10T (460V / 3Ø)			X

Note:

Requires separate branch circuit, see table Electrical Data For Power Exhaust Accessory Kits, pg 13



GENERAL TERMS OF LIMITED WARRANTY

NORDYNE will furnish a replacement for any part of this product which fails in normal use and service, in accordance with the terms of the warranty.

For complete details of the Limited Warranty, including applicable terms and conditions, see your local installer or contact the NORDYNE warranty department for a copy.

NORDYNE
COMPLETE COMFORT. GENUINE VALUE.

Specifications and illustrations subject to change without notice and without incurring obligations. Printed in U.S.A (03/2010)

011D-0310 (Replaces 011D-0609)