

## TECHNICAL SPECIFICATIONS

# P6SP Series

## 6, 7½ and 10 Ton Packaged Electric Cooling Units

### 11.2 EER Commercial System Units

These units are designed specifically for retrofit applications and compatibility with most standard footprints. They take less time to install and retrofit, making the contractor's job more profitable. These units offer flexibility in the replacement market. These units are compliant with the 2007 requirements of ASHRAE 90.1 ADDENDUM S.



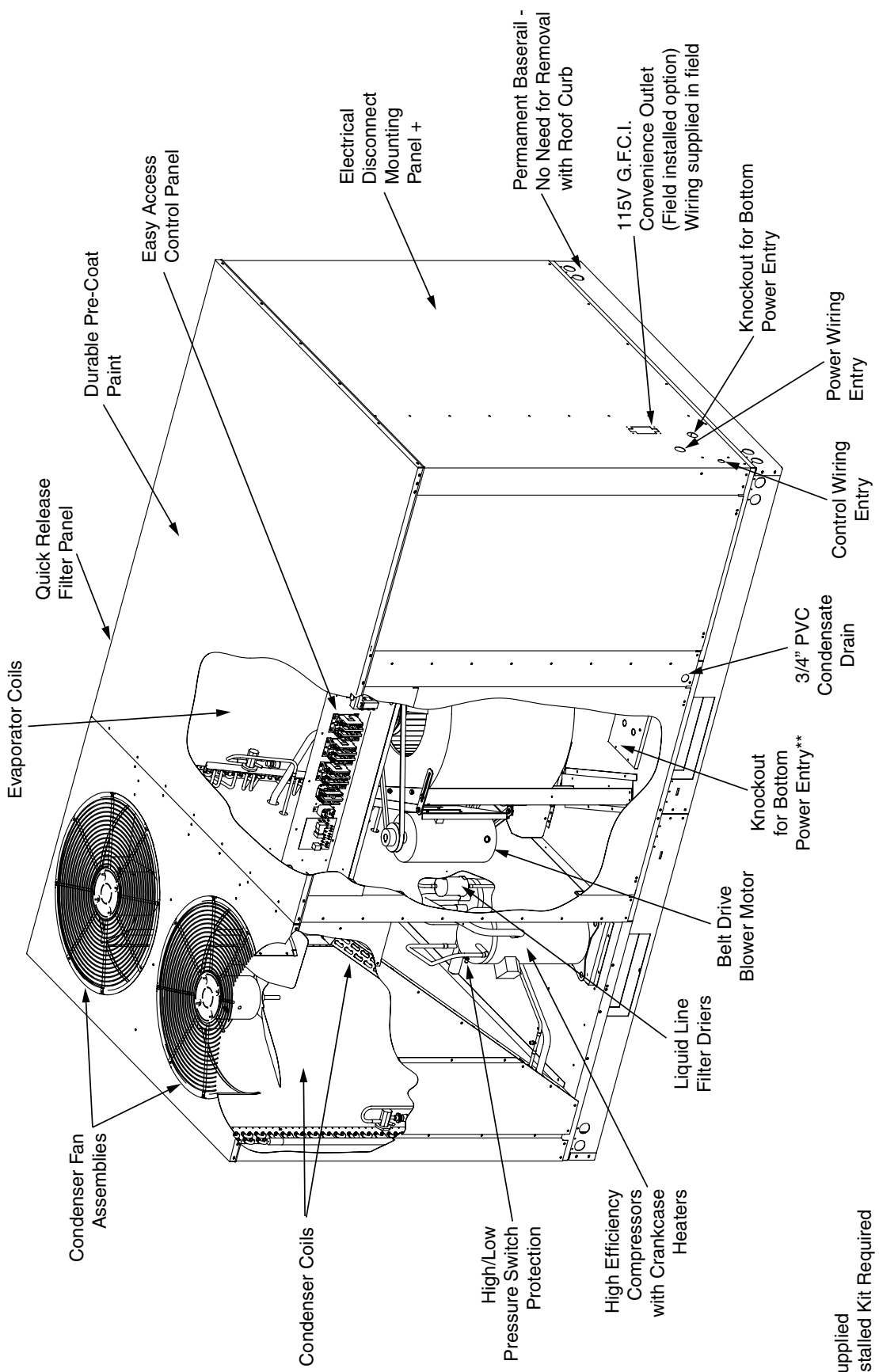
### WARRANTY

- 1 year limited parts
- 5 year compressor

### FEATURES and BENEFITS

- **Quality Compressor:** State of the art scroll compressor is standard equipment.
- **R-410A Refrigerant:** Earth friendly non-ozone depleting refrigerant.
- **7 ½ & 10 Ton Feature Two-Stage Cooling.**
- **6 Ton Features Single Stage Cooling.**
- **Optional Electric Heat:** Field installed 9 – 35 KW.
- **Hi/Low Pressure Switches:** Ensure long compressor life. Featuring manual reset high pressure control.
- **Copper Tube / Aluminum Fin Coils:** Both indoor and outdoor coils are designed to optimize heat transfer, minimize size and cost, and increase durability and reliability.
- **Plastic Mesh Hail Guard:** A guard that will never rust and protects the units coil from being damaged.
- **For Easy Service:** Hi/low service ports allow quick access without disrupting operation.
- **Permanently Lubricated Motor:** A heavy duty PSC motor for long lasting reliability and quiet operation. Requires no maintenance and is completely protected from rain and snow.
- **75 VA Transformer:** Includes 4 Amp circuit breaker to protect low voltage circuit.
- **Liquid Line Filter Driers:** Factory installed for convenience.
- **Crankcase Heater:** Protection from liquid floodback and future compressor failures.
- **Freeze protection thermostats:** Provide reliable compressor operation.
- **Easy Compressor and Control Access:** Designed to make servicing easier for the contractor, access panels are provided to all controls and the compressor from the side of the unit.
- **Convertible Air Delivery with Kit:** Easily converts to horizontal airflow with side panel including duct flange and bottom close off panels.
- **Quick-Release Filter Access Panels:** Requires no special servicing tools.
- **Fully Insulated Bottom Pan:** Helps ensure quiet operation and prevents condensation.
- **Removable Top Grille Assembly:** Allows ease of service to the fan motor.
- **Full Perimeter Base rail System:** Base rails have rigging holes and do not need to be removed for curb applications. Base rails have fork truck slots on three sides.
- **Durable, Attractive Cabinet:** Designed using 20 gauge galvanized steel with a polyester urethane finish. The 950 hour salt spray finish is 1.5 mil thick and resists corrosion 50% better than comparable units.
- **Compatibility:** Fits most standard rooftop applications can be easily adapted for exceptions. Footprint database available for cross-reference at <http://www.rooftopsystems.com> under the "Adapter Quote" tab.

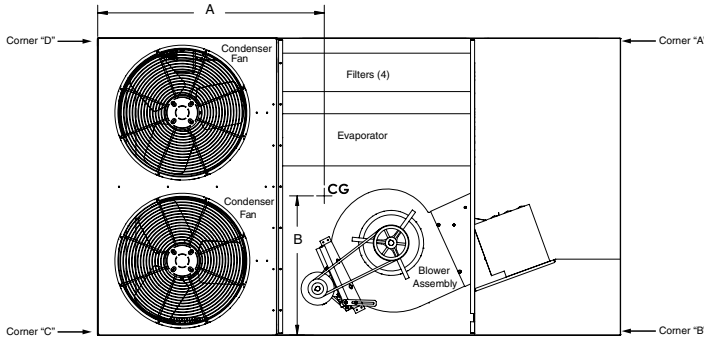




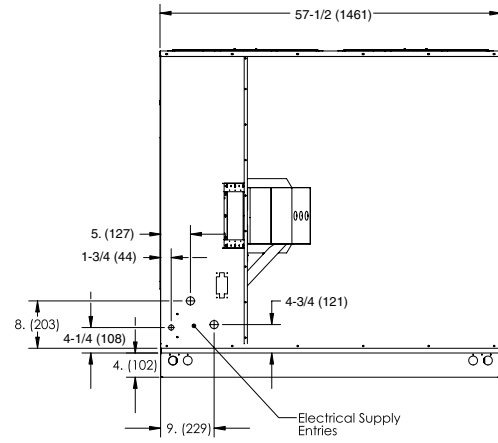
+ Field Supplied  
 \*\* Field Installed Kit Required

# P6SP-120 SERIES – PHYSICAL DATA

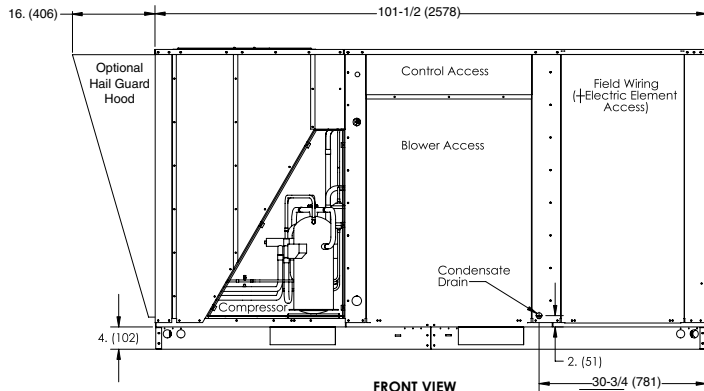
Dimensions shown in inches (mm)



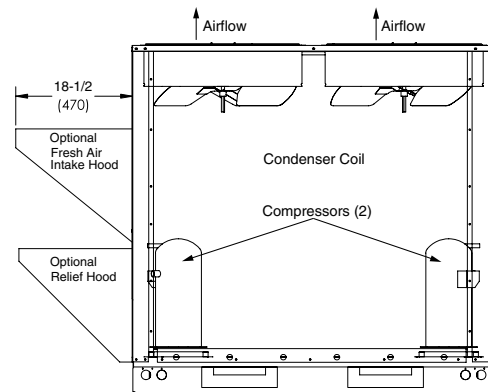
**TOP VIEW**



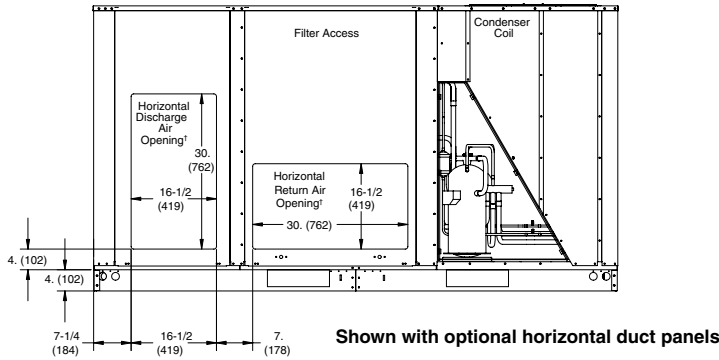
**HEAT EXCHANGER END**



**FRONT VIEW**

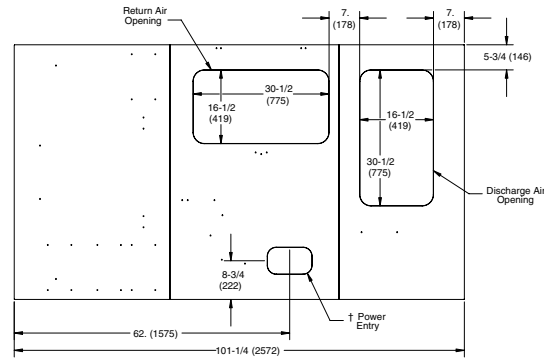


**CONDENSER END**



Shown with optional horizontal duct panels

**REAR VIEW**



**BOTTOM PAN TOP VIEW**

## Preliminary Data

| Model No.     | Unit Weight ‡ |     | Shipping Weight |     | Center of Gravity Inches (mm) |              | Corner Weights |     |      |     |      |     |      |     | Unit Height *                |                            |
|---------------|---------------|-----|-----------------|-----|-------------------------------|--------------|----------------|-----|------|-----|------|-----|------|-----|------------------------------|----------------------------|
|               | Lbs.          | Kg. | Lbs.            | Kg. | A                             | B            | A              |     | B    |     | C    |     | D    |     | Horizontal Duct Applications | Vertical Duct Applications |
|               |               |     |                 |     |                               |              | Lbs.           | Kg. | Lbs. | Kg. | Lbs. | Kg. | Lbs. | Kg. |                              |                            |
| P6SP-072(C/D) | 845           | 384 | 980             | 445 | 43-1/2 (1105)                 | 32-1/4 (819) | 159            | 72  | 204  | 93  | 270  | 123 | 211  | 96  | 43-1/2 (1105)                | 38-1/4 (972)               |
| P6SP-090(C/D) | 856           | 388 | 991             | 450 | 50-1/2 (1283)                 | 28 (714)     | 209            | 95  | 218  | 99  | 219  | 99  | 210  | 95  | 43-1/2 (1105)                | 38-1/4 (972)               |
| P6SP-120(C/D) | 1130          | 514 | 1270            | 577 | 44 (1118)                     | 27 (686)     | 226            | 103 | 264  | 120 | 345  | 157 | 295  | 134 | 55-1/4 (1403)                | 50 (1270)                  |

\* Baseraills are not intended to be removed. Information provided is total unit height for Horizontal duct applications or height dimension added to selected roof curb height for Vertical duct applications.

‡ Unit weight without packaging or field installed accessories.

† Field Installed Kit

# SPECIFICATIONS AND ELECTRICAL DATA

| Model P6SP-  | 072C  | 072D          | 090C                               | 090D          | 120C               | 120D          |
|--|---|---------------|------------------------------------|---------------|--------------------|---------------|
| <b>Performance Data</b>                                |   |               |                                    |               |                    |               |
| Gross Cooling Capacity (High) - BTUH                   | 73,300  | 73,300        | 93,500                             | 93,500        | 125,000            | 125,000       |
| <sup>1</sup> Rated Cooling Capacity (Net @ 95°) - BTUH | 72,000  | 72,000        | 90,000                             | 90,000        | 119,000            | 119,000       |
| <sup>1,2</sup> E.E.R. - Cooling Efficiency (Btu/Watt)  | 11.2  | 11.2          | 11.2                               | 11.2          | 11.2               | 11.2          |
| <sup>1,3</sup> Cooling Capacity (IPLV, 2-Stage) - BTUH | - n/a -                                       | - n/a -       | 101,000                            | 101,000       | 132,000            | 132,000       |
| <sup>1,3</sup> Cooling Capacity (IPLV, 1-Stage) - BTUH | - n/a -                                       | - n/a -       | 52,500                             | 52,500        | 63,000             | 63,000        |
| IEER   | 12.6  | 12.6          | 12.3                               | 12.3          | 11.5               | 11.5          |
| AHRI Rated Airflow - CFM                               | 2,400   | 2,400         | 3,000                              | 3,000         | 4,000              | 4,000         |
| <b>Electrical Rating - 60 Hz.</b>                      |   |               |                                    |               |                    |               |
| <b>w/ Standard Blower Drive</b>                        |   |               |                                    |               |                    |               |
| Phase  | 3   | 3             | 3                                  | 3             | 3                  | 3             |
| Operating Voltage                                      | 187-253                                       | 414-506       | 187-253                            | 414-506       | 187-253            | 414-506       |
| Maximum Rated Ampacity                                 | 26  | 13            | 37                                 | 18            | 43                 | 21            |
| Minimum Circuit Ampacity (MCA)                         | 30  | 16            | 44                                 | 21            | 47                 | 23            |
| Max. Overcurrent Protection (MOP)                      | 40  | 20            | 50                                 | 25            | 60                 | 30            |
| <b>Electrical Rating - 60 Hz.</b>                      |   |               |                                    |               |                    |               |
| <b>w/ Med Static Blower Drive</b>                      |   |               | <b>w/ High Static Blower Drive</b> |               |                    |               |
| Phase  | 3   | 3             | 3                                  | 3             | 3                  | 3             |
| Operating Voltage                                      | 187-253                                       | 414-506       | 187-253                            | 414-506       | 187-253            | 414-506       |
| Maximum Rated Ampacity                                 | 27  | 14            | 40                                 | 19            | 46                 | 23            |
| Minimum Circuit Ampacity (MCA)                         | 32  | 16            | 44                                 | 21            | 50                 | 25            |
| Max. Overcurrent Protection (MOP)                      | 50  | 25            | 50                                 | 25            | 60                 | 30            |
| <b>Compressor Data</b>                                 |   |               |                                    |               |                    |               |
|  | <b>1 ea.</b>                                  | <b>1 ea.</b>  | <b>2 ea.</b>                       | <b>2 ea.</b>  | <b>2 ea.</b>       | <b>2 ea.</b>  |
| Compressors (Scrolls)                                  | ZP61KCE                                       | ZP61KCE       | ZP39K5E                            | ZP39K5E       | ZP51K5E            | ZP51K5E       |
| Volts  | 208/230                                       | 460           | 208/230                            | 460           | 208/230            | 460           |
| <sup>4</sup> Rated Load Amps                           | 21.2  | 10.9          | 13.1                               | 6.1           | 17.8               | 8.6           |
| Lock Rotor Amps  | 123.0   | 62.0          | 83.1                               | 41.0          | 110                | 52            |
| <b>Indoor Blower - Belt Drive</b>                      |   |               |                                    |               |                    |               |
| (Qty.) - Wheel Diameter                                | (1) - 12 x 12                                 | (1) - 12 x 12 | (1) - 12 x 12                      | (1) - 12 x 12 | (1) - 15 x 15      | (1) - 15 x 15 |
| <b>Standard Blower Drive Motor - HP / RPM</b>          |   |               |                                    |               |                    |               |
|  | 1 / 1755                                      | 1 / 1755      | 2 / 1725                           | 2 / 1725      | 2 / 1725           | 2 / 1725      |
| Standard Blower Drive Motor - Amps                     | 3.2   | 1.5           | 6.2                                | 2.9           | 6.2                | 2.9           |
| Blower RPM Range                                       | 727 - 984                                     |               | 817 - 1107                         |               | 686 - 951          |               |
| Blower ESP Range                                       | 0.2 - 0.9 in-WC                               |               | 0.1 - 0.8 in-WC                    |               | 0.1 - 1.0 in-WC    |               |
| <b>Med Static Blower Drive Motor - HP / RPM</b>        |   |               |                                    |               |                    |               |
|  | 1.5 / 1755                                    | 1.5 / 1755    | 3 / 1725                           | 3 / 1725      | N/A                |               |
| High Static Blower Drive Motor - Amps                  | 4.4   | 2.1           | 9.1                                | 4.4           |                    |               |
| Blower RPM Range                                       | 926 - 1189                                    |               | 1000 - 1340                        |               |                    |               |
| Blower ESP Range                                       | 0.9 - 1.6 in-WC                               |               | 0.9 - 1.6 in-WC                    |               |                    |               |
| <b>High Static Blower Drive Motor - HP / RPM</b>       |   |               |                                    |               |                    |               |
|  | N/A   |               | 3 / 1725                           | 3 / 1725      | 3 / 1725           | 3 / 1725      |
| High Static Blower Drive Motor - Amps                  |   |               | 9.1                                | 4.4           | 9.1                | 4.4           |
| Blower RPM Range                                       |   |               | 1163 - 1422                        |               | 936 - 1159         |               |
| Blower ESP Range                                       |   |               | 1.6 - 2.0 in-WC                    |               | 1.0 - 2.0 in-WC    |               |
| <b>Outdoor Fan Data</b>                                |   |               |                                    |               |                    |               |
|  | <b>2 ea.</b>                                  | <b>2 ea.</b>  | <b>2 ea.</b>                       | <b>2 ea.</b>  | <b>2 ea.</b>       | <b>2 ea.</b>  |
| Motor - HP / RPM                                       | 1/3 - 1100                                    | 1/3 - 1100    | 1/3 - 1075                         | 1/3 - 1075    | 1/3 - 1075         | 1/3 - 1075    |
| Motor Amps (ea.)                                       | 1.5   | 0.8           | 2.3                                | 1.2           | 2.3                | 1.2           |
| Fan Diameter / Total CFM                               | 20" / 7000                                    | 20" / 7000    | 24" / 8200                         | 24" / 8200    | 24" / 8200         | 24" / 8200    |
| <b>Refrigerant Charge - oz. (R-410a)</b>               |   |               |                                    |               |                    |               |
| Stage 1 Circuit  | 168 Oz.                                       |               | 168 Oz.                            |               | 216 Oz.            |               |
| Stage 2 Circuit  | Not Applicable                                |               | 168 Oz.                            |               | 216 Oz.            |               |
| High Pressure Switch (PSIG)                            | 650 +/- 10 Manual Reset                       |               | Stage 1 - 650 +/- 10 Manual Reset  |               |                    |               |
|  |   |               | Stage 2 - 650 +/- 10 Manual Reset  |               |                    |               |
| Loss of Charge Switch (PSIG)                           | Cut Out: 5 +/- 5<br>Cut In: 20 +/- 5          |               |                                    |               |                    |               |
| Freeze Protection Thermostats                          | Opens (°F): 28 +/- 5<br>Closes (°F): 57 +/- 6 |               |                                    |               |                    |               |
| <b>Filters</b>   |   |               |                                    |               |                    |               |
| Style  | Disposable - 2" Pleated                       |               |                                    |               |                    |               |
| Size (Qty.)  | 16" x 20" x 2" (4)                            |               | 16" x 20" x 2" (4)                 |               | 16" x 25" x 2" (4) |               |

**Notes:**

- 1) Certified in accordance with AHRI Standard 340/360 at the minimum duct external static pressure allowed by the standard. ARI Rating for units with dual voltages are shown at highest rated unit voltage.
- 2) E.E.R. - Energy Efficiency Ratio: The EER and Net Capacity is determined @ 95°F Outdoor DB & 80°F DB / 67°F WB Air entering the evaporator
- 3) IEER - Integrated Energy Efficiency Ratio: a measure of merit for part load performance of the unit.
- 4) Compressor RLA = Compressor MCC ÷ 1.4

# P6SP - EXPANDED RATINGS, COOLING MODE

## P6SP-072(C/D)

| O.D.T |        |        | 85°F |      |      | 95°F        |             |             | 105°F |      |      | 115°F |      |      |
|-------|--------|--------|------|------|------|-------------|-------------|-------------|-------|------|------|-------|------|------|
| CFM   | E.D.B. | E.W.B. | T.C. | S.C. | kW   | T.C.        | S.C.        | kW          | T.C.  | S.C. | kW   | T.C.  | S.C. | kW   |
| 2250  | 75     | 62     | 68.4 | 52.3 | 5.64 | 63.1        | 49.9        | 6.24        | 57.7  | 47.6 | 6.85 | 52.4  | 45.2 | 7.46 |
|       |        | 67     | 76.1 | 41.1 | 5.73 | 70.6        | 39.0        | 6.33        | 65.0  | 36.8 | 6.92 | 59.5  | 34.7 | 7.52 |
|       |        | 72     | 84.7 | 32.3 | 5.82 | 78.7        | 30.2        | 6.41        | 72.8  | 28.2 | 7.01 | 66.8  | 26.1 | 7.60 |
|       | 80     | 62     | 68.7 | 63.0 | 5.65 | 63.7        | 60.5        | 6.21        | 58.6  | 57.9 | 6.78 | 54.4  | 54.2 | 7.47 |
|       |        | 67     | 76.1 | 52.3 | 5.74 | 71.4        | 50.3        | 6.28        | 66.7  | 48.2 | 6.83 | 60.7  | 45.5 | 7.54 |
|       |        | 72     | 84.1 | 41.5 | 5.85 | 78.8        | 39.4        | 6.37        | 73.4  | 37.2 | 6.89 | 67.0  | 34.5 | 7.55 |
| 2400  | 75     | 62     | 69.2 | 54.2 | 5.73 | 63.9        | 51.7        | 6.34        | 58.6  | 49.3 | 6.95 | 53.3  | 46.8 | 7.55 |
|       |        | 67     | 77.1 | 42.4 | 5.81 | 71.6        | 40.0        | 6.41        | 66.2  | 37.6 | 7.01 | 60.7  | 35.2 | 7.61 |
|       |        | 72     | 85.9 | 32.3 | 5.92 | 79.9        | 30.5        | 6.51        | 73.8  | 28.7 | 7.10 | 67.8  | 26.9 | 7.70 |
|       | 80     | 62     | 69.7 | 64.4 | 5.75 | 65.1        | 61.4        | 6.35        | 60.5  | 58.5 | 6.95 | 55.9  | 55.6 | 7.55 |
|       |        | 67     | 77.0 | 54.1 | 5.82 | <b>72.0</b> | <b>51.7</b> | <b>6.43</b> | 65.9  | 49.4 | 7.08 | 60.4  | 47.0 | 7.71 |
|       |        | 72     | 85.1 | 42.7 | 5.92 | 79.5        | 40.3        | 6.50        | 73.9  | 37.9 | 7.09 | 68.2  | 35.5 | 7.67 |
| 2550  | 75     | 62     | 70.0 | 56.0 | 5.82 | 64.7        | 53.5        | 6.43        | 59.5  | 50.9 | 7.04 | 54.2  | 48.4 | 7.65 |
|       |        | 67     | 78.0 | 43.7 | 5.89 | 72.7        | 41.0        | 6.50        | 67.3  | 38.4 | 7.10 | 61.9  | 35.7 | 7.71 |
|       |        | 72     | 87.0 | 32.2 | 6.01 | 81.0        | 30.7        | 6.61        | 74.9  | 29.1 | 7.20 | 68.8  | 27.6 | 7.79 |
|       | 80     | 62     | 70.6 | 65.8 | 5.85 | 66.2        | 62.8        | 6.45        | 62.5  | 60.9 | 6.97 | 57.3  | 56.9 | 7.63 |
|       |        | 67     | 77.9 | 56.0 | 5.90 | 72.6        | 53.4        | 6.50        | 67.4  | 50.9 | 7.11 | 62.2  | 48.3 | 7.71 |
|       |        | 72     | 86.1 | 43.9 | 5.98 | 80.6        | 41.4        | 6.59        | 75.0  | 38.9 | 7.19 | 69.5  | 36.4 | 7.79 |

## P6SP-072(C/D) CONTINUED

| O.D.T |        |        | 55°F |      |      | 65°F |      |      | 75°F |      |      | 85°F |      |      |
|-------|--------|--------|------|------|------|------|------|------|------|------|------|------|------|------|
| CFM   | E.D.B. | E.W.B. | T.C. | S.C. | kW   | T.C. | S.C. | kW   | T.C. | S.C. | kW   | T.C. | S.C. | kW   |
| 2250  | 75     | 62     | 78.6 | 57.9 | 4.49 | 75.2 | 56.0 | 4.87 | 71.8 | 54.2 | 5.25 | 68.4 | 52.3 | 5.64 |
|       |        | 67     | 86.8 | 46.7 | 4.59 | 83.2 | 44.8 | 4.97 | 79.7 | 43.0 | 5.35 | 76.1 | 41.1 | 5.73 |
|       |        | 72     | 95.0 | 36.1 | 4.70 | 91.6 | 34.8 | 5.07 | 88.1 | 33.6 | 5.45 | 84.7 | 32.3 | 5.82 |
|       | 80     | 62     | 79.2 | 68.9 | 4.47 | 75.8 | 66.9 | 4.85 | 72.8 | 65.5 | 5.21 | 68.7 | 63.0 | 5.65 |
|       |        | 67     | 87.3 | 58.2 | 4.57 | 83.8 | 56.3 | 4.95 | 80.6 | 54.9 | 5.31 | 76.1 | 52.3 | 5.74 |
|       |        | 72     | 95.0 | 45.6 | 4.69 | 91.6 | 44.3 | 5.06 | 88.8 | 43.5 | 5.41 | 84.1 | 41.5 | 5.85 |
| 2400  | 75     | 62     | 79.6 | 59.7 | 4.58 | 76.1 | 57.8 | 4.97 | 72.6 | 56.0 | 5.35 | 69.2 | 54.2 | 5.73 |
|       |        | 67     | 87.6 | 48.0 | 4.68 | 84.1 | 46.1 | 5.06 | 80.6 | 44.3 | 5.44 | 77.1 | 42.4 | 5.81 |
|       |        | 72     | 95.6 | 36.0 | 4.79 | 92.4 | 34.8 | 5.17 | 89.1 | 33.5 | 5.54 | 85.9 | 32.3 | 5.92 |
|       | 80     | 62     | 80.2 | 70.6 | 4.57 | 76.7 | 68.7 | 4.95 | 73.6 | 67.3 | 5.31 | 69.7 | 64.4 | 5.75 |
|       |        | 67     | 88.1 | 59.5 | 4.66 | 84.6 | 57.6 | 5.03 | 81.5 | 56.2 | 5.39 | 77.0 | 54.1 | 5.82 |
|       |        | 72     | 95.6 | 45.5 | 4.78 | 92.4 | 44.2 | 5.15 | 89.8 | 43.4 | 5.50 | 85.1 | 42.7 | 5.92 |
| 2550  | 75     | 62     | 80.5 | 61.5 | 4.68 | 77.0 | 59.6 | 5.06 | 73.5 | 57.8 | 5.44 | 70.0 | 56.0 | 5.82 |
|       |        | 67     | 88.3 | 49.3 | 4.77 | 84.9 | 47.4 | 5.15 | 81.5 | 45.6 | 5.52 | 78.0 | 43.7 | 5.89 |
|       |        | 72     | 96.2 | 35.9 | 4.88 | 93.1 | 34.7 | 5.26 | 90.1 | 33.4 | 5.64 | 87.0 | 32.2 | 6.01 |
|       | 80     | 62     | 81.1 | 72.4 | 4.66 | 77.6 | 70.5 | 5.04 | 74.5 | 69.2 | 5.40 | 70.6 | 65.8 | 5.85 |
|       |        | 67     | 88.8 | 60.8 | 4.75 | 85.5 | 58.9 | 5.12 | 82.4 | 57.5 | 5.48 | 77.9 | 56.0 | 5.90 |
|       |        | 72     | 96.2 | 45.4 | 4.88 | 93.2 | 44.1 | 5.24 | 90.8 | 43.4 | 5.60 | 86.1 | 43.9 | 5.98 |

- Notes:
- 1) T.C. = Total (Net) Cooling Capacity, S.C. = Sensible Cooling Capacity, kW = Kilowatts
  - 2) Expanded Ratings are based on 230 Volt - 60 Hz operation
  - 3) Ratings based on factory standard blower drive
  - 4) Bolded Values indicate ARI rating points
  - 5) Energy Efficiency Ratio (EER) = T.C. / kW

# P6SP - EXPANDED RATINGS, COOLING MODE (Continued)

## P6SP-090(C/D) (Two Compressor Operation)

| O.D.T |        |        | 85°F  |      |      | 95°F        |             |             | 105°F |      |      | 115°F |      |      |
|-------|--------|--------|-------|------|------|-------------|-------------|-------------|-------|------|------|-------|------|------|
| CFM   | E.D.B. | E.W.B. | T.C.  | S.C. | kW   | T.C.        | S.C.        | kW          | T.C.  | S.C. | kW   | T.C.  | S.C. | kW   |
| 2813  | 75     | 62     | 85.3  | 65.2 | 7.08 | 81.3        | 63.9        | 7.74        | 73.4  | 62.7 | 8.84 | 68.5  | 61.2 | 9.39 |
|       |        | 67     | 93.3  | 52.4 | 7.19 | 88.8        | 51.2        | 7.84        | 80.1  | 50.0 | 8.94 | 74.8  | 48.6 | 9.46 |
|       |        | 72     | 101.9 | 39.3 | 7.31 | 97.3        | 38.0        | 7.97        | 87.7  | 36.7 | 9.06 | 82.0  | 35.3 | 9.59 |
|       | 80     | 62     | 86.0  | 76.5 | 7.09 | 82.2        | 75.5        | 7.75        | 74.3  | 74.5 | 8.85 | 69.8  | 73.6 | 9.40 |
|       |        | 67     | 92.9  | 64.4 | 7.18 | 88.6        | 63.4        | 7.84        | 80.0  | 62.4 | 8.94 | 74.7  | 61.2 | 9.46 |
|       |        | 72     | 101.7 | 51.4 | 7.31 | 97.0        | 50.4        | 7.96        | 87.5  | 49.3 | 9.06 | 81.6  | 48.1 | 9.58 |
| 3000  | 75     | 62     | 86.8  | 69.4 | 7.27 | 82.7        | 68.1        | 7.93        | 74.5  | 66.8 | 9.05 | 69.5  | 65.3 | 9.57 |
|       |        | 67     | 94.6  | 55.2 | 7.38 | 90.0        | 54.0        | 8.03        | 80.9  | 52.7 | 9.14 | 75.3  | 51.3 | 9.64 |
|       |        | 72     | 103.5 | 40.4 | 7.51 | 98.6        | 39.1        | 8.17        | 88.8  | 37.8 | 9.27 | 82.9  | 36.3 | 9.78 |
|       | 80     | 62     | 87.9  | 81.9 | 7.29 | 84.3        | 81.8        | 7.96        | 76.6  | 80.3 | 9.08 | 72.2  | 76.4 | 9.60 |
|       |        | 67     | 94.5  | 68.5 | 7.38 | <b>90.0</b> | <b>67.5</b> | <b>8.04</b> | 81.2  | 66.5 | 9.14 | 75.6  | 65.3 | 9.65 |
|       |        | 72     | 103.1 | 54.2 | 7.51 | 98.2        | 53.1        | 8.16        | 88.4  | 52.0 | 9.26 | 82.5  | 50.9 | 9.78 |
| 3188  | 75     | 62     | 87.9  | 73.3 | 7.46 | 83.7        | 72.0        | 8.12        | 75.3  | 70.7 | 9.24 | 70.2  | 69.1 | 9.75 |
|       |        | 67     | 95.3  | 57.8 | 7.57 | 90.3        | 56.5        | 8.22        | 81.2  | 55.1 | 9.32 | 75.7  | 53.6 | 9.82 |
|       |        | 72     | 104.6 | 41.4 | 7.71 | 99.5        | 40.1        | 8.36        | 89.6  | 38.7 | 9.46 | 83.5  | 37.3 | 9.95 |
|       | 80     | 62     | 90.3  | 88.4 | 7.50 | 86.7        | 86.3        | 8.16        | 78.7  | 78.3 | 8.49 | 74.0  | 73.7 | 9.80 |
|       |        | 67     | 95.6  | 72.5 | 7.57 | 91.1        | 71.4        | 8.23        | 82.0  | 70.4 | 8.56 | 76.6  | 69.2 | 9.83 |
|       |        | 72     | 104.1 | 56.8 | 7.70 | 98.9        | 55.7        | 8.35        | 88.9  | 54.7 | 8.68 | 82.4  | 53.4 | 9.95 |

## P6SP-090 (C/D) (One Compressor operation)

| O.D.T |        |        | 55 °F |      |      | 65 °F |      |      | 75 °F |      |      | 85 °F |      |      |
|-------|--------|--------|-------|------|------|-------|------|------|-------|------|------|-------|------|------|
| CFM   | E.D.B. | E.W.B. | T.C.  | S.C. | kW   | T.C.  | S.C. | kW   | T.C.  | S.C. | kW   | T.C.  | S.C. | kW   |
| 2825  | 75     | 62     | 58.5  | 52.6 | 3.74 | 52.5  | 47.2 | 3.88 | 48.0  | 44.1 | 4.10 | 45.0  | 43.2 | 4.42 |
|       |        | 67     | 64.7  | 44.3 | 3.81 | 58.8  | 38.9 | 3.95 | 54.3  | 35.8 | 4.18 | 51.3  | 34.9 | 4.49 |
|       |        | 72     | 71.7  | 35.0 | 3.90 | 65.8  | 29.7 | 4.04 | 61.3  | 26.6 | 4.26 | 58.2  | 25.7 | 4.57 |
|       | 80     | 62     | 59.3  | 59.3 | 3.78 | 53.3  | 53.3 | 3.92 | 48.8  | 48.8 | 4.15 | 45.8  | 45.8 | 4.46 |
|       |        | 67     | 64.6  | 57.4 | 3.85 | 58.7  | 52.0 | 3.98 | 54.2  | 48.9 | 4.21 | 51.1  | 48.0 | 4.52 |
|       |        | 72     | 70.5  | 49.5 | 3.92 | 64.6  | 44.1 | 4.06 | 60.1  | 41.0 | 4.28 | 57.0  | 40.1 | 4.59 |
| 3000  | 75     | 62     | 59.0  | 53.7 | 3.77 | 53.1  | 48.3 | 3.91 | 48.6  | 45.2 | 4.14 | 45.5  | 44.3 | 4.45 |
|       |        | 67     | 65.3  | 45.3 | 3.85 | 59.4  | 40.0 | 3.99 | 54.9  | 36.9 | 4.21 | 51.8  | 36.0 | 4.53 |
|       |        | 72     | 72.2  | 36.1 | 3.93 | 66.3  | 30.8 | 4.07 | 61.8  | 27.6 | 4.30 | 58.8  | 26.8 | 4.61 |
|       | 80     | 62     | 59.8  | 59.8 | 3.82 | 53.9  | 53.9 | 3.96 | 49.4  | 49.4 | 4.18 | 46.3  | 46.3 | 4.49 |
|       |        | 67     | 65.1  | 58.4 | 3.88 | 59.2  | 53.1 | 4.02 | 54.7  | 50.0 | 4.24 | 51.6  | 49.1 | 4.56 |
|       |        | 72     | 71.1  | 50.6 | 3.95 | 65.1  | 45.2 | 4.09 | 60.6  | 42.1 | 4.32 | 57.6  | 41.2 | 4.63 |
| 3190  | 75     | 62     | 59.5  | 55.3 | 3.77 | 53.6  | 50.0 | 3.90 | 49.1  | 46.8 | 4.13 | 46.0  | 46.0 | 4.44 |
|       |        | 67     | 65.8  | 47.0 | 3.84 | 59.8  | 41.6 | 3.98 | 55.3  | 38.5 | 4.20 | 52.3  | 37.6 | 4.52 |
|       |        | 72     | 72.7  | 37.8 | 3.92 | 66.8  | 32.4 | 4.06 | 62.3  | 29.3 | 4.29 | 59.2  | 28.4 | 4.60 |
|       | 80     | 62     | 60.3  | 60.3 | 3.81 | 54.4  | 54.4 | 3.95 | 49.9  | 49.9 | 4.17 | 46.8  | 46.8 | 4.49 |
|       |        | 67     | 65.6  | 60.1 | 3.87 | 59.7  | 54.7 | 4.01 | 55.2  | 51.6 | 4.24 | 52.1  | 50.7 | 4.55 |
|       |        | 72     | 71.5  | 52.2 | 3.94 | 65.6  | 46.9 | 4.08 | 61.1  | 43.7 | 4.31 | 58.0  | 42.9 | 4.62 |

**Notes:**

- 1) T.C. = total (Net) cooling in kBtu/h; S.C. = Sensible Cooling in kBtu/h; kW = Kilowatts
- 2) Ratings are based on the Factory Standard blower drive combination
- 3) For 208-230V Units, the ratings shown reflect 230V operation
- 4) **Bolded** Values indicate AHRI rating points
- 5) Energy Efficiency Ratio (EER) = T.C./kW

# P6SP - EXPANDED RATINGS, COOLING MODE (Continued)

## P6SP-120(C/D) (Two Compressor Operation)

| O.D.T |        |        | 85°F  |       |       | 95°F         |             |              | 105°F |       |       | 115°F |       |       |
|-------|--------|--------|-------|-------|-------|--------------|-------------|--------------|-------|-------|-------|-------|-------|-------|
| CFM   | E.D.B. | E.W.B. | T.C.  | S.C.  | kW    | T.C.         | S.C.        | kW           | T.C.  | S.C.  | kW    | T.C.  | S.C.  | kW    |
| 3500  | 75     | 62     | 112.7 | 86.5  | 9.36  | 107.5        | 84.9        | 10.24        | 97.0  | 83.3  | 11.68 | 90.5  | 81.3  | 12.41 |
|       |        | 67     | 123.3 | 69.6  | 9.50  | 117.4        | 68.0        | 10.37        | 105.9 | 66.3  | 11.82 | 98.8  | 64.5  | 12.50 |
|       |        | 72     | 134.7 | 52.2  | 9.67  | 128.6        | 50.5        | 10.53        | 115.9 | 48.7  | 11.98 | 108.4 | 46.9  | 12.68 |
|       | 80     | 62     | 113.7 | 101.5 | 9.37  | 108.6        | 100.3       | 10.25        | 98.2  | 98.9  | 11.71 | 92.3  | 97.8  | 12.43 |
|       |        | 67     | 122.8 | 85.5  | 9.49  | 117.2        | 84.2        | 10.36        | 105.7 | 82.8  | 11.82 | 98.8  | 81.3  | 12.51 |
|       |        | 72     | 134.4 | 68.3  | 9.67  | 128.2        | 66.9        | 10.53        | 115.6 | 65.5  | 11.98 | 107.9 | 63.9  | 12.67 |
| 4000  | 75     | 62     | 114.8 | 92.1  | 9.62  | 109.3        | 90.4        | 10.49        | 98.5  | 88.7  | 11.96 | 91.8  | 86.7  | 12.65 |
|       |        | 67     | 125.0 | 73.3  | 9.76  | 118.9        | 71.6        | 10.62        | 107.0 | 70.0  | 12.08 | 99.6  | 68.1  | 12.74 |
|       |        | 72     | 136.8 | 53.6  | 9.93  | 130.3        | 51.9        | 10.80        | 117.4 | 50.1  | 12.25 | 109.6 | 48.2  | 12.93 |
|       | 80     | 62     | 116.2 | 108.8 | 9.64  | 111.5        | 108.6       | 10.52        | 101.3 | 106.6 | 12.01 | 95.4  | 101.5 | 12.69 |
|       |        | 67     | 124.9 | 91.0  | 9.75  | <b>119.0</b> | <b>89.6</b> | <b>10.62</b> | 107.3 | 88.3  | 12.09 | 100.0 | 86.7  | 12.75 |
|       |        | 72     | 136.3 | 71.9  | 9.93  | 129.8        | 70.5        | 10.79        | 116.9 | 69.1  | 12.25 | 109.1 | 67.6  | 12.92 |
| 4500  | 75     | 62     | 116.2 | 97.4  | 9.87  | 110.7        | 95.6        | 10.74        | 99.6  | 93.9  | 12.22 | 92.8  | 91.8  | 12.89 |
|       |        | 67     | 125.9 | 76.8  | 10.00 | 119.4        | 75.0        | 10.86        | 107.3 | 73.2  | 12.33 | 100.0 | 71.2  | 12.98 |
|       |        | 72     | 138.2 | 55.0  | 10.19 | 131.6        | 53.2        | 11.05        | 118.4 | 51.4  | 12.51 | 110.4 | 49.5  | 13.16 |
|       | 80     | 62     | 119.4 | 117.4 | 9.91  | 114.6        | 114.6       | 10.79        | 104.0 | 104.0 | 11.22 | 97.8  | 97.8  | 12.95 |
|       |        | 67     | 126.4 | 96.2  | 10.01 | 120.4        | 94.9        | 10.88        | 108.5 | 93.5  | 11.31 | 101.2 | 91.9  | 13.00 |
|       |        | 72     | 137.6 | 75.4  | 10.18 | 130.7        | 74.0        | 11.04        | 117.5 | 72.6  | 11.48 | 108.9 | 70.9  | 13.16 |

- Notes:
- 1) T.C. = Total (Net) Cooling Capacity, S.C. = Sensible Cooling Capacity, kW = Kilowatts
  - 2) Expanded Ratings are based on 230 Volt - 60 Hz operation
  - 3) Bolded Values indicate ARI rating points
  - 4) Energy Efficiency Ratio (EER) = T.C. / kW

## P6SP-120(C/D) (One compressor operation)

| O.D.T |        |        | 55 °F |      |      | 65 °F |      |      | 75 °F |      |      | 85 °F |      |      |
|-------|--------|--------|-------|------|------|-------|------|------|-------|------|------|-------|------|------|
| CFM   | E.D.B. | E.W.B. | T.C.  | S.C. | kW   | T.C.  | S.C. | kW   | T.C.  | S.C. | kW   | T.C.  | S.C. | kW   |
| 3500  | 75     | 62     | 65.9  | 49.1 | 4.50 | 61.8  | 46.9 | 4.80 | 56.8  | 44.3 | 5.10 | 50.7  | 41.4 | 5.50 |
|       |        | 67     | 73.8  | 37.5 | 4.70 | 69.8  | 35.3 | 5.00 | 64.7  | 32.7 | 5.30 | 58.7  | 29.8 | 5.70 |
|       |        | 72     | 82.6  | 27.7 | 4.80 | 78.6  | 25.5 | 5.10 | 73.5  | 22.9 | 5.50 | 67.5  | 19.9 | 5.90 |
|       | 80     | 62     | 69.9  | 58.8 | 4.30 | 65.9  | 56.6 | 4.60 | 60.9  | 54.0 | 5.00 | 54.8  | 51.0 | 5.30 |
|       |        | 67     | 76.7  | 47.9 | 4.50 | 72.6  | 45.6 | 4.70 | 67.6  | 43.1 | 5.10 | 61.5  | 40.1 | 5.50 |
|       |        | 72     | 84.2  | 36.5 | 4.60 | 80.1  | 34.3 | 4.90 | 75.1  | 31.7 | 5.20 | 69.0  | 28.8 | 5.60 |
| 4000  | 75     | 62     | 66.9  | 50.5 | 4.90 | 62.9  | 48.3 | 5.20 | 57.9  | 45.7 | 5.50 | 51.8  | 42.8 | 5.90 |
|       |        | 67     | 74.9  | 38.8 | 5.00 | 70.8  | 36.5 | 5.30 | 65.8  | 34.0 | 5.60 | 59.7  | 31.0 | 6.00 |
|       |        | 72     | 83.7  | 28.8 | 5.20 | 79.6  | 26.6 | 5.40 | 74.6  | 24.0 | 5.80 | 68.5  | 21.0 | 6.20 |
|       | 80     | 62     | 68.8  | 58.9 | 5.00 | 64.8  | 56.7 | 5.20 | 59.8  | 54.1 | 5.60 | 53.7  | 51.2 | 6.00 |
|       |        | 67     | 75.5  | 48.4 | 5.10 | 71.5  | 46.2 | 5.30 | 66.5  | 43.6 | 5.70 | 60.4  | 40.7 | 6.10 |
|       |        | 72     | 83.0  | 37.5 | 5.20 | 79.0  | 35.3 | 5.40 | 74.0  | 32.7 | 5.80 | 67.9  | 29.7 | 6.20 |
| 4500  | 75     | 62     | 68.0  | 51.9 | 5.20 | 64.0  | 49.7 | 5.50 | 58.9  | 47.1 | 5.80 | 52.9  | 44.2 | 6.20 |
|       |        | 67     | 75.9  | 40.0 | 5.40 | 71.9  | 37.8 | 5.60 | 66.9  | 35.2 | 6.00 | 60.8  | 32.2 | 6.40 |
|       |        | 72     | 84.7  | 29.9 | 5.50 | 80.7  | 27.7 | 5.80 | 75.7  | 25.1 | 6.10 | 69.6  | 22.1 | 6.50 |
|       | 80     | 62     | 67.9  | 59.0 | 5.60 | 63.9  | 56.8 | 5.90 | 58.9  | 54.2 | 6.20 | 52.8  | 51.3 | 6.60 |
|       |        | 67     | 74.4  | 49.0 | 5.70 | 70.4  | 46.7 | 5.90 | 65.4  | 44.1 | 6.30 | 59.3  | 41.2 | 6.70 |
|       |        | 72     | 82.3  | 38.1 | 5.70 | 78.2  | 35.9 | 6.00 | 73.2  | 33.3 | 6.30 | 67.1  | 30.3 | 6.70 |

- Notes:
- 1) T.C. = total (Net) cooling in kBtuh; S.C. = Sensible Cooling in kBtuh; kW = Kilowatts
  - 2) Ratings are based on the Factory Standard blower drive combination
  - 3) For 208-230V Units, the ratings shown reflect 230V operation
  - 4) Bolded Values indicate AHRI rating points
  - 5) Energy Efficiency Ratio (EER) = T.C./kW



# BLOWER PERFORMANCE - DOWN FLOW CONFIGURATION

## P6SP-072 SERIES

| Model  | Motor Sheave Position | External Static Pressures (Inches Water Column) |      |      |      |      |      |      |      |      |      |      |      |      |      |      |     |      |      |     |      |      |      |      |      |      |      |     |      |  |  |
|--|-----------------------|---|------|------|------|------|------|------|------|------|------|------|------|------|------|------|-----|------|------|-----|------|------|------|------|------|------|------|-----|------|--|--|
|  |                       | 0.2   |      |      | 0.3  |      |      | 0.4  |      |      | 0.5  |      |      | 0.6  |      |      | 0.7 |      |      | 0.8 |      |      | 0.9  |      |      |      |      |     |      |  |  |
|  |                       | CFM   | RPM  | Kw   | CFM  | RPM  | Kw   | CFM  | RPM  | Kw   | CFM  | RPM  | Kw   | CFM  | RPM  | Kw   | CFM | RPM  | Kw   | CFM | RPM  | Kw   | CFM  | RPM  | Kw   |      |      |     |      |  |  |
| P6SP-072<br>(1 HP)<br>Factory Standard Drive Kit | Fully Closed          |   |      |      |      |      |      |      |      |      |      |      |      |      |      |      |     |      |      |     |      |      |      |      |      |      |      |     |      |  |  |
|  | 1/2 Turn Open         |   |      |      |      |      |      |      |      |      |      |      |      |      |      |      |     |      |      |     |      | 2403 | 981  | 1.00 | 2230 | 984  | 0.94 |     |      |  |  |
|  | 1 Turn Open           |   |      |      |      |      |      |      |      |      |      |      |      |      |      |      |     |      |      |     | 2509 | 956  | 1.01 | 2318 | 959  | 0.92 | 2112 | 962 | 0.83 |  |  |
|  | 1.5 Turns Open        |   |      |      |      |      |      |      |      |      |      |      |      |      |      |      |     |      |      |     | 2362 | 930  | 0.91 | 2158 | 933  | 0.82 | 1960 | 936 | 0.75 |  |  |
|  | 2.0 Turns Open        |   |      |      |      |      |      |      |      |      |      |      |      |      |      |      |     |      |      |     |      |      |      |      |      |      |      |     |      |  |  |
|  | 2.5 Turns Open        |   |      |      |      |      |      |      |      | 2680 | 874  | 0.95 | 2458 | 876  | 0.88 | 2255 | 880 | 0.79 | 2042 | 883 | 0.72 |      |      |      |      |      |      |     |      |  |  |
|  | 3.0 Turns Open        |   |      |      |      |      |      |      |      | 2751 | 850  | 0.94 | 2559 | 852  | 0.86 | 2322 | 855 | 0.80 | 2115 | 858 | 0.71 | 1870 | 861  | 0.63 |      |      |      |     |      |  |  |
|  | 3.5 Turns Open        |   |      |      |      |      |      |      |      | 2617 | 826  | 0.85 | 2405 | 829  | 0.76 | 2181 | 831 | 0.71 | 1960 | 834 | 0.63 |      |      |      |      |      |      |     |      |  |  |
|  | 4.0 Turns Open        | 2656  | 797  | 0.81 | 2483 | 801  | 0.76 | 2251 | 805  | 0.66 | 2040 | 807  | 0.62 | 1805 | 809  | 0.55 |     |      |      |     |      |      |      |      |      |      |      |     |      |  |  |
|  | 4.5 Turns Open        | 2539  | 771  | 0.73 | 2334 | 774  | 0.67 | 2098 | 778  | 0.59 | 1870 | 780  | 0.54 |      |      |      |     |      |      |     |      |      |      |      |      |      |      |     |      |  |  |
| *5 Turns Open                                    | 2422                  | 744   | 0.66 | 2185 | 747  | 0.58 | 1945 | 750  | 0.52 |      |      |      |      |      |      |      |     |      |      |     |      |      |      |      |      |      |      |     |      |  |  |

| Model   | Motor Sheave Position | External Static Pressures (Inches Water Column) |      |      |      |      |      |      |      |      |      |      |      |      |      |      |      |      |      |      |      |    |      |     |    |     |     |    |  |  |  |
|---|-----------------------|---|------|------|------|------|------|------|------|------|------|------|------|------|------|------|------|------|------|------|------|----|------|-----|----|-----|-----|----|--|--|--|
|   |                       | 0.9   |      |      | 1.0  |      |      | 1.1  |      |      | 1.2  |      |      | 1.3  |      |      | 1.4  |      |      | 1.50 |      |    | 1.60 |     |    |     |     |    |  |  |  |
|   |                       | CFM   | RPM  | Kw   | CFM  | RPM  | Kw   | CFM  | RPM  | Kw   | CFM  | RPM  | Kw   | CFM  | RPM  | Kw   | CFM  | RPM  | Kw   | CFM  | RPM  | Kw | CFM  | RPM | Kw | CFM | RPM | Kw |  |  |  |
| P6SP-072<br>(1.5 HP)<br>Medium Static Drive Kit | Fully Closed          |   |      |      |      |      |      |      |      |      |      |      |      |      |      |      |      |      |      |      |      |    |      |     |    |     |     |    |  |  |  |
|   | 1/2 Turn Open         |   |      |      |      |      |      |      |      |      |      |      |      |      |      |      |      |      |      |      |      |    |      |     |    |     |     |    |  |  |  |
|   | 1 Turn Open           |   |      |      |      |      |      |      |      |      |      |      |      |      |      |      |      |      |      |      |      |    |      |     |    |     |     |    |  |  |  |
|   | 1.5 Turns Open        |   |      |      |      |      |      |      |      | 2770 | 1123 | 1.55 | 2563 | 1127 | 1.41 | 2402 | 1129 | 1.33 | 2182 | 1131 | 1.25 |    |      |     |    |     |     |    |  |  |  |
|   | 2.0 Turns Open        |   |      |      |      |      |      |      |      | 2558 | 1098 | 1.36 | 2401 | 1102 | 1.25 | 2246 | 1103 | 1.19 | 2006 | 1105 | 1.09 |    |      |     |    |     |     |    |  |  |  |
|   | 2.5 Turns Open        |   |      |      |      |      |      |      |      | 2595 | 1066 | 1.29 | 2392 | 1071 | 1.20 | 2222 | 1076 | 1.13 |      |      |      |    |      |     |    |     |     |    |  |  |  |
|   | 3.0 Turns Open        | 2598  | 1039 | 1.23 | 2405 | 1040 | 1.13 | 2225 | 1044 | 1.04 | 2043 | 1049 | 1.00 |      |      |      |      |      |      |      |      |    |      |     |    |     |     |    |  |  |  |
|   | 3.5 Turns Open        | 2437  | 1014 | 1.10 | 2232 | 1016 | 1.01 |      |      |      |      |      |      |      |      |      |      |      |      |      |      |    |      |     |    |     |     |    |  |  |  |
|   | 4.0 Turns Open        | 2275  | 988  | 0.97 | 2059 | 991  | 0.89 |      |      |      |      |      |      |      |      |      |      |      |      |      |      |    |      |     |    |     |     |    |  |  |  |
|   | 4.5 Turns Open        | 2097  | 960  | 0.87 |      |      |      |      |      |      |      |      |      |      |      |      |      |      |      |      |      |    |      |     |    |     |     |    |  |  |  |
| *5 Turns Open                                   | 1919                  | 931   | 0.77 |      |      |      |      |      |      |      |      |      |      |      |      |      |      |      |      |      |      |    |      |     |    |     |     |    |  |  |  |

NOTES: \* Denotes Factory sheave setting.  
 All Performance Curve data collected at 230V  
 Boldface type indicates factory recommended blower operating range.  
 Values include losses for air filters, unit casing, and dry evaporator coil.  
 See Accessory Performance Data for additional static pressure information.

Low Static Drive Consists of: 1 Hp Motor; 1VP40 Motor Sheave; AK66 Blower Pulley & A-44 belt  
 Med Static Drive Consists of: 1.5 Hp Motor; 1VP44 Motor Sheave; AK59 Blower Pulley & A-43 belt

# BLOWER PERFORMANCE - HORIZONTAL FLOW CONFIGURATION

## P6SP-072 SERIES

| Model                                      | Motor Sheave Position | External Static Pressures (Inches Water Column) |      |      |     |      |      |     |      |      |     |      |    |     |     |    |     |     |    |     |     |    |     |     |    |     |     |    |  |  |  |
|--|-----------------------|---|------|------|-----|------|------|-----|------|------|-----|------|----|-----|-----|----|-----|-----|----|-----|-----|----|-----|-----|----|-----|-----|----|--|--|--|
|  |                       | 0.2   |      |      | 0.3 |      |      | 0.4 |      |      | 0.5 |      |    | 0.6 |     |    | 0.7 |     |    | 0.8 |     |    | 0.9 |     |    |     |     |    |  |  |  |
|  |                       | CFM   | RPM  | Kw   | CFM | RPM  | Kw   | CFM | RPM  | Kw   | CFM | RPM  | Kw | CFM | RPM | Kw | CFM | RPM | Kw | CFM | RPM | Kw | CFM | RPM | Kw | CFM | RPM | Kw |  |  |  |
| P6SP-072<br>(1 HP)<br>Low Static Drive Kit | Fully Closed          |   |      |      |     |      |      |     |      |      |     |      |    |     |     |    |     |     |    |     |     |    |     |     |    |     |     |    |  |  |  |
|  | 1/2 Turn Open         |   |      |      |     |      |      |     |      |      |     |      |    |     |     |    |     |     |    |     |     |    |     |     |    |     |     |    |  |  |  |
|  | 1 Turn Open           |   |      |      |     |      |      |     |      |      |     |      |    |     |     |    |     |     |    |     |     |    |     |     |    |     |     |    |  |  |  |
|  | 1.5 Turns Open        |   |      |      |     |      |      |     |      |      |     |      |    |     |     |    |     |     |    |     |     |    |     |     |    |     |     |    |  |  |  |
|  | 2.0 Turns Open        |   |      |      |     |      |      |     |      |      |     |      |    |     |     |    |     |     |    |     |     |    |     |     |    |     |     |    |  |  |  |
|  | 2.5 Turns Open        |   |      |      |     |      |      |     |      |      |     |      |    |     |     |    |     |     |    |     |     |    |     |     |    |     |     |    |  |  |  |
|  | 3.0 Turns Open        |   |      |      |     |      |      |     |      |      |     |      |    |     |     |    |     |     |    |     |     |    |     |     |    |     |     |    |  |  |  |
|  | 3.5 Turns Open        |   |      |      |     |      |      |     |      |      |     |      |    |     |     |    |     |     |    |     |     |    |     |     |    |     |     |    |  |  |  |
|  | 4.0 Turns Open        |   |      |      |     |      |      |     |      |      |     |      |    |     |     |    |     |     |    |     |     |    |     |     |    |     |     |    |  |  |  |
|  | 4.5 Turns Open        |   |      |      |     |      |      |     |      |      |     |      |    |     |     |    |     |     |    |     |     |    |     |     |    |     |     |    |  |  |  |
| *5 Turns Open                              | 2665                  | 727   | 0.74 | 2447 | 729 | 0.67 | 2188 | 730 | 0.60 | 1904 | 731 | 0.54 |    |     |     |    |     |     |    |     |     |    |     |     |    |     |     |    |  |  |  |

| Model   | Motor Sheave Position | External Static Pressures (Inches Water Column) |      |      |      |     |      |      |     |      |     |     |    |     |     |    |     |     |    |      |     |    |      |     |    |     |     |    |  |  |  |
|---|-----------------------|---|------|------|------|-----|------|------|-----|------|-----|-----|----|-----|-----|----|-----|-----|----|------|-----|----|------|-----|----|-----|-----|----|--|--|--|
|   |                       | 0.9   |      |      | 1.0  |     |      | 1.1  |     |      | 1.2 |     |    | 1.3 |     |    | 1.4 |     |    | 1.50 |     |    | 1.60 |     |    |     |     |    |  |  |  |
|   |                       | CFM   | RPM  | Kw   | CFM  | RPM | Kw   | CFM  | RPM | Kw   | CFM | RPM | Kw | CFM | RPM | Kw | CFM | RPM | Kw | CFM  | RPM | Kw | CFM  | RPM | Kw | CFM | RPM | Kw |  |  |  |
| P6SP-072<br>(1.5 HP)<br>Medium Static Drive Kit | Fully Closed          |   |      |      |      |     |      |      |     |      |     |     |    |     |     |    |     |     |    |      |     |    |      |     |    |     |     |    |  |  |  |
|   | 1/2 Turn Open         |   |      |      |      |     |      |      |     |      |     |     |    |     |     |    |     |     |    |      |     |    |      |     |    |     |     |    |  |  |  |
|   | 1 Turn Open           |   |      |      |      |     |      |      |     |      |     |     |    |     |     |    |     |     |    |      |     |    |      |     |    |     |     |    |  |  |  |
|   | 1.5 Turns Open        |   |      |      |      |     |      |      |     |      |     |     |    |     |     |    |     |     |    |      |     |    |      |     |    |     |     |    |  |  |  |
|   | 2.0 Turns Open        |   |      |      |      |     |      |      |     |      |     |     |    |     |     |    |     |     |    |      |     |    |      |     |    |     |     |    |  |  |  |
|   | 2.5 Turns Open        |   |      |      |      |     |      |      |     |      |     |     |    |     |     |    |     |     |    |      |     |    |      |     |    |     |     |    |  |  |  |
|   | 3.0 Turns Open        |   |      |      |      |     |      |      |     |      |     |     |    |     |     |    |     |     |    |      |     |    |      |     |    |     |     |    |  |  |  |
|   | 3.5 Turns Open        |   |      |      |      |     |      |      |     |      |     |     |    |     |     |    |     |     |    |      |     |    |      |     |    |     |     |    |  |  |  |
|   | 4.0 Turns Open        | 2716  | 985  | 1.17 | 2491 | 987 | 1.09 | 2255 | 990 | 0.98 |     |     |    |     |     |    |     |     |    |      |     |    |      |     |    |     |     |    |  |  |  |
|   | 4.5 Turns Open        | 2500  | 956  | 1.05 | 2250 | 959 | 0.94 |      |     |      |     |     |    |     |     |    |     |     |    |      |     |    |      |     |    |     |     |    |  |  |  |
| *5 Turns Open                                   | 2284                  | 926   | 0.93 |      |      |     |      |      |     |      |     |     |    |     |     |    |     |     |    |      |     |    |      |     |    |     |     |    |  |  |  |

NOTES: \* Denotes Factory sheave setting.  
 All Performance Curve data collected at 230V  
 Boldface type indicates factory recommended blower operating range.  
 Values include losses for air filters, unit casing, and dry evaporator coil.  
 See Accessory Performance Data for additional static pressure information.

Low Static Drive Consists of: 1 Hp Motor; 1VP40 Motor Sheave; AK66 Blower Pulley & A-44 belt  
 Med Static Drive Consists of: 1.5 Hp Motor; 1VP44 Motor Sheave; AK59 Blower Pulley & A-43 belt

# BLOWER PERFORMANCE - DOWNFLOW CONFIGURATION

## P6SP-090 SERIES

### 2 HP Low Static Drive: External Static Pressures (Inches Water Column)

| Model                                | Motor Sheave Position | 0.1         |             |             | 0.2         |             |             | 0.3         |             |             | 0.4         |             |             | 0.5         |             |             | 0.6         |            |             | 0.7         |            |             | 0.8 |     |    | 0.9 |     |    |  |
|--------------------------------------|-----------------------|-------------|-------------|-------------|-------------|-------------|-------------|-------------|-------------|-------------|-------------|-------------|-------------|-------------|-------------|-------------|-------------|------------|-------------|-------------|------------|-------------|-----|-----|----|-----|-----|----|--|
|                                      |                       | CFM         | RPM         | Kw          | CFM         | RPM         | Kw          | CFM         | RPM         | Kw          | CFM         | RPM         | Kw          | CFM         | RPM         | Kw          | CFM         | RPM        | Kw          | CFM         | RPM        | Kw          | CFM | RPM | Kw | CFM | RPM | Kw |  |
| P6SP-090 (2 HP) Low Static Drive Kit | Fully Closed          |             |             |             |             |             |             |             |             |             |             |             |             |             |             |             |             |            |             |             |            |             |     |     |    |     |     |    |  |
|                                      | 1/2 Turn Open         |             |             |             |             |             |             |             |             |             |             |             |             |             |             |             |             |            |             |             |            |             |     |     |    |     |     |    |  |
|                                      | 1 Turn Open           |             |             |             |             |             |             |             |             |             |             |             |             |             |             |             |             |            |             |             |            |             |     |     |    |     |     |    |  |
|                                      | 1.5 Turns Open        |             |             |             |             |             |             |             |             |             |             |             |             |             |             |             |             |            |             |             |            |             |     |     |    |     |     |    |  |
|                                      | 2.0 Turns Open        |             |             |             |             |             |             |             |             |             |             |             |             |             |             |             |             |            |             |             |            |             |     |     |    |     |     |    |  |
|                                      | 2.5 Turns Open        |             |             |             |             |             |             |             |             |             |             |             |             |             |             |             |             |            |             |             |            |             |     |     |    |     |     |    |  |
|                                      | 3.0 Turns Open        |             |             |             |             |             |             |             |             |             |             |             |             |             |             |             |             |            |             |             |            |             |     |     |    |     |     |    |  |
|                                      | 3.5 Turns Open        | <b>3445</b> | <b>923</b>  | <b>1.63</b> | <b>3309</b> | <b>925</b>  | <b>1.52</b> | <b>3162</b> | <b>925</b>  | <b>1.43</b> | <b>3019</b> | <b>928</b>  | <b>1.33</b> | <b>2850</b> | <b>930</b>  | <b>1.25</b> | <b>2664</b> | <b>933</b> | <b>1.15</b> | <b>2424</b> | <b>934</b> | <b>1.06</b> |     |     |    |     |     |    |  |
|                                      | 4.0 Turns Open        | <b>3330</b> | <b>895</b>  | <b>1.50</b> | <b>3176</b> | <b>897</b>  | <b>1.36</b> | <b>3028</b> | <b>898</b>  | <b>1.29</b> | <b>2871</b> | <b>900</b>  | <b>1.21</b> | <b>2688</b> | <b>902</b>  | <b>1.15</b> | <b>2492</b> | <b>905</b> | <b>1.08</b> |             |            |             |     |     |    |     |     |    |  |
|                                      | *4.5 Turns Open       | <b>3187</b> | <b>866</b>  | <b>1.42</b> | <b>3048</b> | <b>868</b>  | <b>1.30</b> | <b>2886</b> | <b>870</b>  | <b>1.24</b> | <b>2716</b> | <b>871</b>  | <b>1.13</b> | <b>2512</b> | <b>873</b>  | <b>1.03</b> |             |            |             |             |            |             |     |     |    |     |     |    |  |
| 5.0 Turns Open                       | <b>3044</b>           | <b>837</b>  | <b>1.34</b> | <b>2919</b> | <b>838</b>  | <b>1.23</b> | <b>2744</b> | <b>841</b>  | <b>1.19</b> | <b>2561</b> | <b>842</b>  | <b>1.06</b> | <b>2336</b> | <b>843</b>  | <b>0.91</b> |             |             |            |             |             |            |             |     |     |    |     |     |    |  |

### 3HP Medium Static Drive: External Static Pressures (Inches Water Column)

| Model                                   | Motor Sheave Position | 0.8         |             |             | 0.9         |             |             | 1           |             |             | 1.1         |             |             | 1.2         |             |             | 1.3 |     |    | 1.40 |     |    | 1.50 |     |    | 1.60 |     |    |
|---|-----------------------|-------------|-------------|-------------|-------------|-------------|-------------|-------------|-------------|-------------|-------------|-------------|-------------|-------------|-------------|-------------|-----|-----|----|------|-----|----|------|-----|----|------|-----|----|
|   |                       | CFM         | RPM         | Kw          | CFM         | RPM         | Kw          | CFM         | RPM         | Kw          | CFM         | RPM         | Kw          | CFM         | RPM         | Kw          | CFM | RPM | Kw | CFM  | RPM | Kw | CFM  | RPM | Kw | CFM  | RPM | Kw |
| P6SP-090 (3 HP) Medium Static Drive Kit | Fully Closed          |             |             |             |             |             |             |             |             |             |             |             |             |             |             |             |     |     |    |      |     |    |      |     |    |      |     |    |
|   | 1 Turn Open           |             |             |             |             |             |             |             |             |             |             |             |             |             |             |             |     |     |    |      |     |    |      |     |    |      |     |    |
|   | 1.5 Turns Open        |             |             |             |             |             |             |             |             |             |             |             |             |             |             |             |     |     |    |      |     |    |      |     |    |      |     |    |
|   | 2.0 Turns Open        |             |             |             |             |             |             |             |             |             |             |             |             |             |             |             |     |     |    |      |     |    |      |     |    |      |     |    |
|   | 2.5 Turns Open        |             |             |             |             |             |             |             |             |             |             |             |             |             |             |             |     |     |    |      |     |    |      |     |    |      |     |    |
|   | 3.0 Turns Open        |             |             |             |             |             |             |             |             |             |             |             |             |             |             |             |     |     |    |      |     |    |      |     |    |      |     |    |
|   | 3.5 Turns Open        | <b>3415</b> | <b>1119</b> | <b>1.92</b> | <b>3247</b> | <b>1121</b> | <b>1.82</b> | <b>3072</b> | <b>1124</b> | <b>1.66</b> | <b>2849</b> | <b>1127</b> | <b>1.57</b> | <b>2598</b> | <b>1133</b> | <b>1.42</b> |     |     |    |      |     |    |      |     |    |      |     |    |
|   | 4.0 Turns Open        | <b>3252</b> | <b>1088</b> | <b>1.73</b> | <b>3052</b> | <b>1092</b> | <b>1.62</b> | <b>2887</b> | <b>1095</b> | <b>1.47</b> | <b>2621</b> | <b>1097</b> | <b>1.39</b> |             |             |             |     |     |    |      |     |    |      |     |    |      |     |    |
|   | *4.5 Turns Open       | <b>3042</b> | <b>1059</b> | <b>1.62</b> | <b>2834</b> | <b>1063</b> | <b>1.53</b> | <b>2658</b> | <b>1065</b> | <b>1.39</b> |             |             |             |             |             |             |     |     |    |      |     |    |      |     |    |      |     |    |
|   | 5.0 Turns Open        | <b>2831</b> | <b>1030</b> | <b>1.50</b> | <b>2615</b> | <b>1033</b> | <b>1.43</b> | <b>2428</b> | <b>1035</b> | <b>1.31</b> |             |             |             |             |             |             |     |     |    |      |     |    |      |     |    |      |     |    |

### 3HP High Static Drive: External Static Pressures (Inches Water Column)

| Model                                 | Motor Sheave Position | 1.2         |             |             | 1.3         |             |             | 1.4         |             |             | 1.5         |             |             | 1.6         |             |             | 1.7 |     |    | 1.80 |     |    | 1.90 |     |    | 2.00 |     |    |
|---------------------------------------|-----------------------|-------------|-------------|-------------|-------------|-------------|-------------|-------------|-------------|-------------|-------------|-------------|-------------|-------------|-------------|-------------|-----|-----|----|------|-----|----|------|-----|----|------|-----|----|
|                                       |                       | CFM         | RPM         | Kw          | CFM         | RPM         | Kw          | CFM         | RPM         | Kw          | CFM         | RPM         | Kw          | CFM         | RPM         | Kw          | CFM | RPM | Kw | CFM  | RPM | Kw | CFM  | RPM | Kw | CFM  | RPM | Kw |
| P6SP-090 (3 HP) High Static Drive Kit | Fully Closed          |             |             |             |             |             |             |             |             |             |             |             |             |             |             |             |     |     |    |      |     |    |      |     |    |      |     |    |
|                                       | 1 Turn Open           |             |             |             |             |             |             |             |             |             |             |             |             |             |             |             |     |     |    |      |     |    |      |     |    |      |     |    |
|                                       | 1.5 Turns Open        |             |             |             |             |             |             |             |             |             |             |             |             |             |             |             |     |     |    |      |     |    |      |     |    |      |     |    |
|                                       | 2.0 Turns Open        |             |             |             |             |             |             |             |             |             |             |             |             |             |             |             |     |     |    |      |     |    |      |     |    |      |     |    |
|                                       | 2.5 Turns Open        |             |             |             |             |             |             |             |             |             |             |             |             |             |             |             |     |     |    |      |     |    |      |     |    |      |     |    |
|                                       | 3.0 Turns Open        |             |             |             |             |             |             |             |             |             |             |             |             |             |             |             |     |     |    |      |     |    |      |     |    |      |     |    |
|                                       | 3.5 Turns Open        |             |             |             |             |             |             |             |             |             |             |             |             |             |             |             |     |     |    |      |     |    |      |     |    |      |     |    |
|                                       | 4.0 Turns Open        | <b>3451</b> | <b>1235</b> | <b>2.28</b> | <b>3292</b> | <b>1238</b> | <b>2.11</b> | <b>3073</b> | <b>1243</b> | <b>1.99</b> | <b>2829</b> | <b>1247</b> | <b>1.85</b> | <b>2662</b> | <b>1249</b> | <b>1.71</b> |     |     |    |      |     |    |      |     |    |      |     |    |
|                                       | *4.5 Turns Open       | <b>3232</b> | <b>1207</b> | <b>2.04</b> | <b>3043</b> | <b>1210</b> | <b>1.87</b> | <b>2828</b> | <b>1214</b> | <b>1.76</b> | <b>2624</b> | <b>1219</b> | <b>1.63</b> |             |             |             |     |     |    |      |     |    |      |     |    |      |     |    |
|                                       | 5.0 Turns Open        | <b>3012</b> | <b>1178</b> | <b>1.81</b> | <b>2794</b> | <b>1182</b> | <b>1.63</b> | <b>2583</b> | <b>1184</b> | <b>1.54</b> |             |             |             |             |             |             |     |     |    |      |     |    |      |     |    |      |     |    |

NOTES: \* Denotes Factory sheave setting.

Low Static Drive Consists of: 2 Hp Motor; 1VP40 Motor Sheave; AK59 Blower Pulley & A-43 belt.

Med Static Drive Consists of: 3 Hp Motor; 1VP44 Motor Sheave; AK 54 Blower Pulley & A-42 belt.

High Static Drive Consists of: 3 Hp Motor; 1VP50 Motor Sheave; AK 56 Blower Pulley & A-43 belt.

Boldface type indicates factory recommended blower operating range.

Values include losses for air filters, unit casing, and dry evaporator coil.

See Accessory Performance Data table for additional static pressure information.

# BLOWER PERFORMANCE HORIZONTAL FLOW CONFIGURATION

## P6SP-090 SERIES

### 2 HP Low Static Drive: External Static Pressures (Inches Water Column)

| Model                                      | Motor Sheave Position | 0.1         |             |             | 0.2         |             |             | 0.3         |             |             | 0.4         |             |             | 0.5         |             |             | 0.6         |             |             | 0.7         |             |             | 0.8         |             |             | 0.9         |             |             |             |             |
|--|-----------------------|-------------|-------------|-------------|-------------|-------------|-------------|-------------|-------------|-------------|-------------|-------------|-------------|-------------|-------------|-------------|-------------|-------------|-------------|-------------|-------------|-------------|-------------|-------------|-------------|-------------|-------------|-------------|-------------|-------------|
|  |                       | CFM         | RPM         | Kw          | CFM         | RPM         | Kw          | CFM         | RPM         | Kw          | CFM         | RPM         | Kw          | CFM         | RPM         | Kw          | CFM         | RPM         | Kw          | CFM         | RPM         | Kw          | CFM         | RPM         | Kw          | CFM         | RPM         | Kw          |             |             |
| P6SP-090<br>(2 HP)<br>Low Static Drive Kit | Fully Closed          |             |             |             |             |             |             |             |             |             |             |             |             |             |             |             |             |             |             |             |             |             |             |             |             |             |             |             |             |             |
|  | 1/2 Turn Open         |             |             |             |             |             |             |             |             |             |             |             |             |             |             |             |             |             |             |             |             |             |             |             |             |             |             |             |             |             |
|  | 1 Turn Open           |             |             |             |             |             |             |             |             |             |             |             |             |             |             |             |             |             |             |             |             |             |             |             |             |             | <b>3316</b> | <b>1065</b> | <b>1.82</b> |             |
|  | 1.5 Turns Open        |             |             |             |             |             |             |             |             |             |             |             |             |             |             |             |             |             |             |             |             |             |             |             |             |             | <b>3319</b> | <b>1036</b> | <b>1.73</b> |             |
|  | 2.0 Turns Open        |             |             |             |             |             |             |             |             |             |             |             |             |             |             |             |             |             |             |             |             |             |             |             |             | <b>3338</b> | <b>1007</b> | <b>1.66</b> |             |             |
|  | 2.5 Turns Open        |             |             |             |             |             |             |             |             |             |             |             |             | <i>3464</i> | <i>970</i>  | <i>1.68</i> | <b>3300</b> | <b>973</b>  | <b>1.55</b> | <b>3121</b> | <b>977</b>  | <b>1.49</b> | <b>2921</b> | <b>979</b>  | <b>1.39</b> | <b>2700</b> | <b>983</b>  | <b>1.28</b> |             |             |
|  | 3.0 Turns Open        |             |             |             |             |             |             |             |             |             |             |             | <i>3442</i> | <i>937</i>  | <i>1.59</i> | <b>3272</b> | <b>941</b>  | <b>1.51</b> | <b>3110</b> | <b>944</b>  | <b>1.39</b> | <b>2903</b> | <b>947</b>  | <b>1.32</b> | <b>2695</b> | <b>950</b>  | <b>1.25</b> | <b>2466</b> | <b>953</b>  | <b>1.10</b> |
|  | 3.5 Turns Open        |             |             |             |             |             |             |             |             |             |             |             | <i>3455</i> | <i>909</i>  | <i>1.51</i> | <b>3293</b> | <b>912</b>  | <b>1.46</b> | <b>3120</b> | <b>915</b>  | <b>1.38</b> | <b>2932</b> | <b>917</b>  | <b>1.28</b> | <b>2716</b> | <b>920</b>  | <b>1.19</b> | <b>2484</b> | <b>923</b>  | <b>1.12</b> |
|  | 4.0 Turns Open        |             |             |             |             |             |             |             |             |             |             |             | <b>3323</b> | <b>883</b>  | <b>1.40</b> | <b>3143</b> | <b>886</b>  | <b>1.33</b> | <b>2967</b> | <b>888</b>  | <b>1.24</b> | <b>2753</b> | <b>890</b>  | <b>1.16</b> | <b>2529</b> | <b>892</b>  | <b>1.06</b> |             |             |             |
|  | 4.5 Turns Open        | <i>3433</i> | <i>846</i>  | <i>1.37</i> | <b>3321</b> | <b>849</b>  | <b>1.33</b> | <b>3155</b> | <b>853</b>  | <b>1.27</b> | <b>2972</b> | <b>856</b>  | <b>1.20</b> | <b>2774</b> | <b>858</b>  | <b>1.11</b> | <b>2550</b> | <b>861</b>  | <b>1.04</b> |             |             |             |             |             |             |             |             |             |             |             |
| 5.0 Turns Open                             | <b>3331</b>           | <b>817</b>  | <b>1.23</b> | <b>3161</b> | <b>819</b>  | <b>1.20</b> | <b>2986</b> | <b>822</b>  | <b>1.13</b> | <b>2800</b> | <b>826</b>  | <b>1.06</b> | <b>2580</b> | <b>828</b>  | <b>0.97</b> | <i>2347</i> | <i>831</i>  | <i>0.92</i> |             |             |             |             |             |             |             |             |             |             |             |             |

### 3HP Medium Static Drive: External Static Pressures (Inches Water Column)

| Model   | Motor Sheave Position | 0.8         |             |             | 0.9         |             |             | 1           |             |             | 1.1         |             |             | 1.2         |             |             | 1.3         |             |             | 1.40        |             |             | 1.50        |             |             | 1.60        |             |             |             |             |
|---|-----------------------|-------------|-------------|-------------|-------------|-------------|-------------|-------------|-------------|-------------|-------------|-------------|-------------|-------------|-------------|-------------|-------------|-------------|-------------|-------------|-------------|-------------|-------------|-------------|-------------|-------------|-------------|-------------|-------------|-------------|
|   |                       | CFM         | RPM         | Kw          | CFM         | RPM         | Kw          | CFM         | RPM         | Kw          | CFM         | RPM         | Kw          | CFM         | RPM         | Kw          | CFM         | RPM         | Kw          | CFM         | RPM         | Kw          | CFM         | RPM         | Kw          | CFM         | RPM         | Kw          |             |             |
| P6SP-090<br>(3 HP)<br>Medium Static Drive Kit | Fully Closed          |             |             |             |             |             |             |             |             |             |             |             |             |             |             |             |             |             |             |             |             |             |             |             |             |             |             |             |             |             |
|   | 1 Turn Open           |             |             |             |             |             |             |             |             |             |             |             |             |             |             |             |             |             |             |             |             |             |             |             |             |             |             |             |             |             |
|   | 1.5 Turns Open        |             |             |             |             |             |             |             |             |             |             |             |             |             |             |             |             |             |             |             |             |             |             |             |             | <i>3399</i> | <i>1231</i> | <i>2.37</i> |             |             |
|   | 2.0 Turns Open        |             |             |             |             |             |             |             |             |             |             |             |             |             |             |             |             |             |             |             |             |             |             |             |             | <b>3347</b> | <b>1203</b> | <b>2.26</b> |             |             |
|   | 2.5 Turns Open        |             |             |             |             |             |             |             |             |             |             |             |             | <i>3423</i> | <i>1162</i> | <i>2.17</i> | <b>3268</b> | <b>1169</b> | <b>2.12</b> | <b>3106</b> | <b>1174</b> | <b>2.01</b> | <b>2924</b> | <b>1178</b> | <b>1.86</b> |             |             |             |             |             |
|   | 3.0 Turns Open        |             |             |             |             |             |             |             |             |             |             |             | <i>3410</i> | <i>1110</i> | <i>2.07</i> | <b>3321</b> | <b>1122</b> | <b>2.03</b> | <b>3198</b> | <b>1132</b> | <b>1.91</b> | <b>3033</b> | <b>1140</b> | <b>1.84</b> | <b>2864</b> | <b>1145</b> | <b>1.75</b> | <b>2673</b> | <b>1149</b> | <b>1.63</b> |
|   | 3.5 Turns Open        | <i>3411</i> | <i>1053</i> | <i>1.98</i> | <b>3309</b> | <b>1065</b> | <b>1.94</b> | <b>3221</b> | <b>1083</b> | <b>1.89</b> | <b>3114</b> | <b>1096</b> | <b>1.84</b> | <b>2964</b> | <b>1103</b> | <b>1.56</b> | <b>2783</b> | <b>1110</b> | <b>1.63</b> | <b>2590</b> | <b>1115</b> | <b>1.56</b> |             |             |             |             |             |             |             |             |
|   | 4.0 Turns Open        | <b>3228</b> | <b>1025</b> | <b>1.78</b> | <b>3131</b> | <b>1039</b> | <b>1.75</b> | <b>3031</b> | <b>1055</b> | <b>1.70</b> | <b>2906</b> | <b>1070</b> | <b>1.64</b> | <b>2729</b> | <b>1074</b> | <b>1.20</b> | <b>2533</b> | <b>1080</b> | <b>1.41</b> | <i>2315</i> | <i>1085</i> | <i>1.36</i> |             |             |             |             |             |             |             |             |
|   | 4.5 Turns Open        | <b>3136</b> | <b>1013</b> | <b>1.68</b> | <b>3005</b> | <b>1022</b> | <b>1.59</b> | <b>2851</b> | <b>1032</b> | <b>1.54</b> | <b>2681</b> | <b>1043</b> | <b>1.46</b> | <b>2492</b> | <b>1046</b> | <b>1.20</b> |             |             |             |             |             |             |             |             |             |             |             |             |             |             |
|   | 5.0 Turns Open        | <b>3043</b> | <b>1000</b> | <b>1.58</b> | <b>2878</b> | <b>1005</b> | <b>1.43</b> | <b>2670</b> | <b>1009</b> | <b>1.38</b> | <b>2455</b> | <b>1015</b> | <b>1.27</b> |             |             |             |             |             |             |             |             |             |             |             |             |             |             |             |             |             |

### 3HP High Static Drive: External Static Pressures (Inches Water Column)

| Model                                       | Motor Sheave Position | 1.2 |     |    | 1.3 |     |    | 1.4 |     |    | 1.5 |     |             | 1.6         |             |             | 1.7         |             |             | 1.80        |             |             | 1.90        |             |             | 2.00        |             |             |             |             |  |
|---|-----------------------|-----|-----|----|-----|-----|----|-----|-----|----|-----|-----|-------------|-------------|-------------|-------------|-------------|-------------|-------------|-------------|-------------|-------------|-------------|-------------|-------------|-------------|-------------|-------------|-------------|-------------|--|
|   |                       | CFM | RPM | Kw | CFM | RPM | Kw | CFM | RPM | Kw | CFM | RPM | Kw          | CFM         | RPM         | Kw          | CFM         | RPM         | Kw          | CFM         | RPM         | Kw          | CFM         | RPM         | Kw          | CFM         | RPM         | Kw          |             |             |  |
| P6SP-090<br>(3 HP)<br>High Static Drive Kit | Fully Closed          |     |     |    |     |     |    |     |     |    |     |     |             |             |             |             |             |             |             |             |             |             |             |             |             |             |             |             |             |             |  |
|   | 1 Turn Open           |     |     |    |     |     |    |     |     |    |     |     |             |             |             |             |             |             |             |             |             |             |             |             |             |             |             |             |             |             |  |
|   | 1.5 Turns Open        |     |     |    |     |     |    |     |     |    |     |     |             |             |             |             |             |             |             |             |             |             |             |             |             |             |             |             |             |             |  |
|   | 2.0 Turns Open        |     |     |    |     |     |    |     |     |    |     |     |             |             |             |             |             |             |             |             |             |             |             |             |             |             |             | <i>3435</i> | <i>1347</i> | <i>2.73</i> |  |
|   | 2.5 Turns Open        |     |     |    |     |     |    |     |     |    |     |     |             |             |             |             |             |             |             |             |             |             |             |             |             |             | <b>3334</b> | <b>1316</b> | <b>2.56</b> |             |  |
|   | 3.0 Turns Open        |     |     |    |     |     |    |     |     |    |     |     |             |             |             |             |             |             |             |             |             |             |             |             |             |             |             | <b>3088</b> | <b>1289</b> | <b>2.25</b> |  |
|   | 3.5 Turns Open        |     |     |    |     |     |    |     |     |    |     |     |             | <i>3406</i> | <i>1278</i> | <i>2.52</i> | <b>3240</b> | <b>1285</b> | <b>2.41</b> | <b>3088</b> | <b>1289</b> | <b>2.25</b> | <b>2921</b> | <b>1294</b> | <b>2.15</b> |             |             |             |             |             |  |
|   | 4.0 Turns Open        |     |     |    |     |     |    |     |     |    |     |     | <i>3434</i> | <i>1233</i> | <i>2.44</i> | <b>3296</b> | <b>1241</b> | <b>2.33</b> | <b>3168</b> | <b>1252</b> | <b>2.27</b> | <b>3000</b> | <b>1258</b> | <b>2.14</b> | <b>2869</b> | <b>1266</b> | <b>2.00</b> |             |             |             |  |
|   | 4.5 Turns Open        |     |     |    |     |     |    |     |     |    |     |     | <b>3397</b> | <b>1178</b> | <b>2.34</b> | <b>3303</b> | <b>1192</b> | <b>2.24</b> | <b>3214</b> | <b>1205</b> | <b>2.15</b> | <b>3098</b> | <b>1217</b> | <b>2.11</b> | <b>2929</b> | <b>1226</b> | <b>2.01</b> | <b>2759</b> | <b>1231</b> | <b>1.87</b> |  |
|   | 5.0 Turns Open        |     |     |    |     |     |    |     |     |    |     |     | <b>3341</b> | <b>1171</b> | <b>2.20</b> | <b>3210</b> | <b>1181</b> | <b>2.10</b> | <b>3065</b> | <b>1189</b> | <b>2.00</b> | <b>2911</b> | <b>1197</b> | <b>1.90</b> | <b>2717</b> | <b>1204</b> | <b>1.79</b> |             |             |             |  |

NOTES: \* Denotes Factory sheave setting.

Low Static Drive Consists of: 2 Hp Motor; 1VP40 Motor Sheave; AK59 Blower Pulley & A-43 belt

Med Static Drive Consists of: 3 Hp Motor; 1VP44 Motor Sheave; AK 54 Blower Pulley & A-42 belt

High Static Drive Consists of: 3 Hp Motor; 1VP50 Motor Sheave; AK 56 Blower Pulley & A-43 belt Values include losses for air filters, unit casing, and dry evaporator coil.

Boldface type indicates factory recommended blower operating range.

See Accessory Performance Data table for additional static pressure information.

# BLOWER PERFORMANCE - DOWNFLOW CONFIGURATION

## P6SP-120 SERIES

### 2 HP Low Static Drive: External Static Pressures (Inches Water Column)

| Model   | Motor Sheave Position | 0.1  |      |      | 0.2  |      |      | 0.3  |      |      | 0.4  |     |      | 0.5  |     |      | 0.6  |     |      |
|---|-----------------------|------|------|------|------|------|------|------|------|------|------|-----|------|------|-----|------|------|-----|------|
|   |                       | CFM  | RPM  | Kw   | CFM  | RPM  | Kw   | CFM  | RPM  | Kw   | CFM  | RPM | Kw   | CFM  | RPM | Kw   | CFM  | RPM | Kw   |
| P6SP-120<br>(2 HP)<br>Low<br>Static<br>Drive<br>Kit | 1.5 Turns Open        |      |      |      |      |      |      |      |      |      |      |     |      |      |     |      |      |     |      |
|   | 2.0 Turns Open        |      |      |      |      |      |      |      |      |      |      |     |      | 4436 | 869 | 2.09 | 4274 | 873 | 2.03 |
|   | 2.5 Turns Open        |      |      |      |      |      |      | 4633 | 845  | 2.08 | 4457 | 848 | 2.01 | 4281 | 851 | 1.94 | 4105 | 854 | 1.86 |
|   | 3.0 Turns Open        | 4791 | 820  | 2.14 | 4667 | 823  | 2.04 | 4490 | 826  | 1.98 | 4317 | 830 | 1.88 | 4127 | 833 | 1.79 | 3936 | 835 | 1.70 |
|   | 3.5 Turns Open        | 4658 | 800  | 1.98 | 4518 | 803  | 1.90 | 4337 | 805  | 1.83 | 4146 | 809 | 1.75 | 3956 | 811 | 1.66 | 3765 | 814 | 1.57 |
|   | 4.0 Turns Open        | 4525 | 780  | 1.82 | 4368 | 783  | 1.76 | 4183 | 785  | 1.68 | 3975 | 788 | 1.61 | 3785 | 790 | 1.52 | 3594 | 792 | 1.44 |
|   | *4.5 Turns Open       | 4380 | 760  | 1.67 | 4201 | 762  | 1.61 | 4015 | 764  | 1.54 | 3810 | 767 | 1.47 | 3600 | 768 | 1.38 | 3389 | 770 | 1.29 |
|   | 5.0 Turns Open        | 4235 | 739  | 1.53 | 4034 | 741  | 1.46 | 3847 | 743  | 1.39 | 3645 | 745 | 1.32 | 3415 | 747 | 1.23 |      |     |      |
|   | 5.5 Turns Open        | 4083 | 717  | 1.42 | 3882 | 718  | 1.36 | 3677 | 721  | 1.28 | 3459 | 723 | 1.18 |      |     |      |      |     |      |
| 6.0 Turns Open                                      | 3931                  | 694  | 1.30 | 3730 | 696  | 1.26 | 3506 | 698  | 1.17 |      |      |     |      |      |     |      |      |     |      |

### External Static Pressures (Inches Water Column)

| Model   | Motor Sheave Position | 0.7  |     |      | 0.8  |     |      | 0.9  |     |      | 1.00 |     |      | 1.10 |      |      | 1.20 |      |      |
|---|-----------------------|------|-----|------|------|-----|------|------|-----|------|------|-----|------|------|------|------|------|------|------|
|   |                       | CFM  | RPM | Kw   | CFM  | RPM | Kw   | CFM  | RPM | Kw   | CFM  | RPM | Kw   | CFM  | RPM  | Kw   | CFM  | RPM  | Kw   |
| P6SP-120<br>(2 HP)<br>Low<br>Static<br>Drive<br>Kit | Fully Closed          |      |     |      |      |     |      |      |     |      |      |     | 3863 | 948  | 2.11 | 3658 | 951  | 1.95 |      |
|   | 1/2 Turn Open         |      |     |      |      |     |      | 4128 | 927 | 2.15 | 3945 | 931 | 2.03 | 3722 | 936  | 1.91 | 3499 | 941  | 1.79 |
|   | 1 Turn Open           |      |     |      | 4208 | 911 | 2.13 | 4021 | 915 | 2.05 | 3833 | 919 | 1.96 | 3646 | 923  | 1.88 | 3458 | 927  | 1.79 |
|   | 1.5 Turns Open        | 4223 | 892 | 2.07 | 4050 | 895 | 1.98 | 3844 | 899 | 1.89 | 3639 | 903 | 1.81 | 3433 | 907  | 1.73 |      |      |      |
|   | 2.0 Turns Open        | 4083 | 876 | 1.93 | 3891 | 879 | 1.82 | 3668 | 883 | 1.74 | 3444 | 886 | 1.66 |      |      |      |      |      |      |
|   | 2.5 Turns Open        | 3902 | 856 | 1.75 | 3699 | 858 | 1.64 | 3455 | 862 | 1.56 |      |     |      |      |      |      |      |      |      |
|   | 3.0 Turns Open        | 3722 | 837 | 1.58 | 3507 | 838 | 1.47 |      |     |      |      |     |      |      |      |      |      |      |      |
|   | 3.5 Turns Open        | 3534 | 816 | 1.46 |      |     |      |      |     |      |      |     |      |      |      |      |      |      |      |
| 4.0 Turns Open                                      |                       |      |     |      |      |     |      |      |     |      |      |     |      |      |      |      |      |      |      |

### 3 HP High Static Drive Kit: External Static Pressures (Inches Water Column)

| Model  | Motor Sheave Position | 0.9  |      |      | 1.00 |      |      | 1.10 |      |      | 1.20 |      |      | 1.30 |      |      | 1.40 |      |      |      |
|--|-----------------------|------|------|------|------|------|------|------|------|------|------|------|------|------|------|------|------|------|------|------|
|  |                       | CFM  | RPM  | Kw   | CFM  | RPM  | Kw   | CFM  | RPM  | Kw   | CFM  | RPM  | Kw   | CFM  | RPM  | Kw   | CFM  | RPM  | Kw   |      |
| P6SP-120<br>(3 HP)<br>High<br>Static<br>Drive<br>Kit | 2.5 Turns Open        |      |      |      |      |      |      |      |      |      |      |      |      |      |      |      |      |      |      |      |
|  | 3.0 Turns Open        |      |      |      |      |      |      |      |      |      |      |      | 4571 | 1068 | 3.01 | 4387 | 1071 | 2.87 |      |      |
|  | 3.5 Turns Open        |      |      |      |      |      |      |      |      |      |      | 4562 | 1047 | 2.92 | 4366 | 1050 | 2.78 | 4171 | 1053 | 2.64 |
|  | 4.0 Turns Open        | 4903 | 1020 | 3.01 | 4724 | 1023 | 2.90 | 4583 | 1026 | 2.80 | 4368 | 1029 | 2.69 | 4161 | 1032 | 2.56 | 3954 | 1035 | 2.42 |      |
|  | 4.5 Turns Open        | 4734 | 1001 | 2.82 | 4561 | 1005 | 2.72 | 4385 | 1007 | 2.60 | 4169 | 1010 | 2.49 | 3942 | 1012 | 2.35 | 3715 | 1015 | 2.20 |      |
|  | 5.0 Turns Open        | 4565 | 982  | 2.62 | 4397 | 986  | 2.54 | 4186 | 988  | 2.40 | 3969 | 990  | 2.29 | 3723 | 993  | 2.14 | 3476 | 995  | 1.99 |      |
|  | 5.5 Turns Open        | 4370 | 962  | 2.42 | 4185 | 965  | 2.34 | 3970 | 967  | 2.21 | 3724 | 969  | 2.08 | 3477 | 972  | 1.93 |      |      |      |      |
| 6.0 Turns Open                                       | 4174                  | 942  | 2.23 | 3973 | 944  | 2.14 | 3754 | 946  | 2.03 | 3479 | 949  | 1.87 |      |      |      |      |      |      |      |      |

### External Static Pressures (Inches Water Column)

| Model  | Motor Sheave Position | 1.50 |      |      | 1.60 |      |      | 1.70 |      |      | 1.80 |      |      | 1.90 |      |      | 2.00 |      |      |
|--|-----------------------|------|------|------|------|------|------|------|------|------|------|------|------|------|------|------|------|------|------|
|  |                       | CFM  | RPM  | Kw   | CFM  | RPM  | Kw   | CFM  | RPM  | Kw   | CFM  | RPM  | Kw   | CFM  | RPM  | Kw   | CFM  | RPM  | Kw   |
| P6SP-120<br>(3 HP)<br>High<br>Static<br>Drive<br>Kit | Fully Closed          |      |      |      |      |      |      |      |      |      |      |      |      |      |      |      |      |      |      |
|  | 1 Turn Open           |      |      |      |      |      |      |      |      |      |      |      |      |      |      |      | 3862 | 1159 | 3.03 |
|  | 1.5 Turns Open        |      |      |      |      |      |      |      |      |      | 4102 | 1136 | 3.00 | 3886 | 1140 | 2.89 | 3762 | 1142 | 2.82 |
|  | 2.0 Turns Open        |      |      |      |      |      |      | 4119 | 1117 | 2.96 | 3891 | 1121 | 2.80 | 3766 | 1123 | 2.74 | 3534 | 1126 | 2.58 |
|  | 2.5 Turns Open        | 4354 | 1092 | 3.00 | 4144 | 1096 | 2.86 | 3934 | 1099 | 2.72 | 3724 | 1103 | 2.59 | 3565 | 1105 | 2.50 |      |      |      |
|  | 3.0 Turns Open        | 4164 | 1075 | 2.74 | 3941 | 1078 | 2.61 | 3749 | 1081 | 2.49 | 3556 | 1084 | 2.37 |      |      |      |      |      |      |
|  | 3.5 Turns Open        | 3960 | 1056 | 2.52 | 3750 | 1059 | 2.40 | 3555 | 1061 | 2.28 |      |      |      |      |      |      |      |      |      |
|  | 4.0 Turns Open        | 3757 | 1037 | 2.30 | 3559 | 1039 | 2.18 |      |      |      |      |      |      |      |      |      |      |      |      |
|  | 4.5 Turns Open        | 3493 | 1017 | 2.07 |      |      |      |      |      |      |      |      |      |      |      |      |      |      |      |
| 5.0 Turns Open                                       |                       |      |      |      |      |      |      |      |      |      |      |      |      |      |      |      |      |      |      |

**NOTES:** \* Denotes Factory sheave setting.  
 Low Static Drive Consists of: 2 Hp Motor; 1VP40 Motor Sheave; BK 75 Blower Pulley & B-49 belt  
 High Static Drive Consists of: 3 Hp Motor; 1VP50 Motor Sheave; BK 75 Blower Pulley & B-51 belt  
 Boldface type indicates factory recommended blower operating range.  
 Values include losses for air filters, unit casing, and dry evaporator coil.  
 See Accessory Performance Data table for additional static pressure information.

# BLOWER PERFORMANCE HORIZONTAL FLOW CONFIGURATION

## P6SP-120 SERIES

### 2 HP Low Static Drive: External Static Pressures (Inches Water Column)

| Model   | Motor Sheave<br>Position | 0.1  |      |      | 0.2  |      |      | 0.3  |      |      | 0.4  |      |      | 0.5  |     |      | 0.6  |     |      |
|---|--------------------------|------|------|------|------|------|------|------|------|------|------|------|------|------|-----|------|------|-----|------|
|   |                          | CFM  | RPM  | Kw   | CFM  | RPM  | Kw   | CFM  | RPM  | Kw   | CFM  | RPM  | Kw   | CFM  | RPM | Kw   | CFM  | RPM | Kw   |
| P6SP-120<br>(2 HP)<br>Low<br>Static<br>Drive<br>Kit | 1.5 Turns Open           |      |      |      |      |      |      |      |      |      |      |      |      |      |     |      |      |     |      |
|   | 2.0 Turns Open           |      |      |      |      |      |      |      |      |      |      |      |      |      |     |      | 4521 | 870 | 2.17 |
|   | 2.5 Turns Open           |      |      |      |      |      |      |      |      |      |      |      |      | 4549 | 850 | 2.09 | 4347 | 849 | 2.01 |
|   | 3.0 Turns Open           |      |      |      |      |      |      |      |      |      | 4537 | 822  | 2.06 | 4355 | 825 | 1.95 | 4172 | 827 | 1.84 |
|   | 3.5 Turns Open           |      |      |      | 4767 | 797  | 2.12 | 4575 | 799  | 2.02 | 4383 | 802  | 1.92 | 4190 | 804 | 1.82 | 3998 | 806 | 1.73 |
|   | 4.0 Turns Open           | 4745 | 774  | 2.03 | 4584 | 776  | 1.93 | 4406 | 779  | 1.86 | 4228 | 781  | 1.78 | 4026 | 783 | 1.70 | 3824 | 785 | 1.61 |
|   | *4.5 Turns Open          | 4609 | 753  | 1.85 | 4445 | 755  | 1.77 | 4244 | 757  | 1.68 | 4048 | 759  | 1.62 | 3848 | 762 | 1.52 | 3619 | 764 | 1.43 |
|   | 5.0 Turns Open           | 4473 | 732  | 1.66 | 4305 | 734  | 1.61 | 4081 | 735  | 1.51 | 3868 | 737  | 1.45 | 3669 | 740 | 1.35 | 3413 | 743 | 1.26 |
|   | 5.5 Turns Open           | 4302 | 710  | 1.54 | 4116 | 712  | 1.47 | 3901 | 713  | 1.39 | 3678 | 715  | 1.32 | 3462 | 718 | 1.23 |      |     |      |
| 6.0 Turns Open                                      | 4131                     | 687  | 1.41 | 3926 | 689  | 1.34 | 3721 | 691  | 1.26 | 3488 | 693  | 1.18 |      |      |     |      |      |     |      |

### External Static Pressures (Inches Water Column)

| Model   | Motor Sheave<br>Position | 0.7  |     |      | 0.8  |     |      | 0.9  |     |      | 1.00 |     |      | 1.10 |      |      | 1.20 |      |      |
|---|--------------------------|------|-----|------|------|-----|------|------|-----|------|------|-----|------|------|------|------|------|------|------|
|   |                          | CFM  | RPM | Kw   | CFM  | RPM | Kw   | CFM  | RPM | Kw   | CFM  | RPM | Kw   | CFM  | RPM  | Kw   | CFM  | RPM  | Kw   |
| P6SP-120<br>(2 HP)<br>Low<br>Static<br>Drive<br>Kit | Fully Closed             |      |     |      |      |     |      |      |     |      |      |     |      |      |      |      |      |      |      |
|   | 1/2 Turn Open            |      |     |      |      |     |      |      |     |      |      |     | 4044 | 927  | 2.12 | 3845 | 933  | 2.03 |      |
|   | 1 Turn Open              |      |     |      |      |     |      |      |     |      | 4095 | 908 | 2.15 | 3895 | 913  | 2.06 | 3670 | 918  | 1.91 |
|   | 1.5 Turns Open           |      |     |      |      |     |      | 4120 | 890 | 2.07 | 3921 | 894 | 1.96 | 3701 | 898  | 1.86 | 3457 | 903  | 1.73 |
|   | 2.0 Turns Open           | 4331 | 869 | 2.08 | 4142 | 873 | 1.96 | 3945 | 876 | 1.86 | 3747 | 879 | 1.76 | 3507 | 883  | 1.65 | 3244 | 887  | 1.54 |
|   | 2.5 Turns Open           | 4145 | 847 | 1.92 | 3946 | 854 | 1.81 | 3740 | 857 | 1.70 | 3535 | 860 | 1.59 | 3329 | 863  | 1.48 |      |      |      |
|   | 3.0 Turns Open           | 3958 | 825 | 1.76 | 3750 | 834 | 1.65 | 3536 | 837 | 1.53 | 3322 | 840 | 1.41 |      |      |      |      |      |      |
|   | 3.5 Turns Open           | 3769 | 806 | 1.64 | 3543 | 812 | 1.54 | 3317 | 818 | 1.43 |      |     |      |      |      |      |      |      |      |
|   | 4.0 Turns Open           | 3580 | 788 | 1.52 | 3336 | 790 | 1.42 |      |     |      |      |     |      |      |      |      |      |      |      |
|   | *4.5 Turns Open          | 3369 | 766 | 1.34 |      |     |      |      |     |      |      |     |      |      |      |      |      |      |      |
| 5.0 Turns Open                                      |                          |      |     |      |      |     |      |      |     |      |      |     |      |      |      |      |      |      |      |

### 3 HP High Static Drive Kit: External Static Pressures (Inches Water Column)

| Model  | Motor Sheave<br>Position | 0.9  |     |      | 1.00 |     |      | 1.10 |     |      | 1.20 |     |      | 1.30 |      |      | 1.40 |      |      |      |      |
|--|--------------------------|------|-----|------|------|-----|------|------|-----|------|------|-----|------|------|------|------|------|------|------|------|------|
|  |                          | CFM  | RPM | Kw   | CFM  | RPM | Kw   | CFM  | RPM | Kw   | CFM  | RPM | Kw   | CFM  | RPM  | Kw   | CFM  | RPM  | Kw   |      |      |
| P6SP-120<br>(3 HP)<br>High<br>Static<br>Drive<br>Kit | 3.0 Turns Open           |      |     |      |      |     |      |      |     |      |      |     |      |      |      |      |      |      |      |      |      |
|  | 3.5 Turns Open           |      |     |      |      |     |      |      |     |      |      |     |      |      |      |      |      |      |      |      |      |
|  | 4.0 Turns Open           |      |     |      |      |     |      |      |     |      |      |     |      |      |      |      | 4558 | 1027 | 2.90 |      |      |
|  | 4.5 Turns Open           |      |     |      |      |     |      |      |     |      |      |     | 4784 | 1003 | 2.94 | 4568 | 1006 | 2.79 | 4352 | 1009 | 2.65 |
|  | 5.0 Turns Open           |      |     |      | 4914 | 980 | 2.94 | 4738 | 982 | 2.80 | 4561 | 984 | 2.66 | 4378 | 987  | 2.53 | 4147 | 990  | 2.40 |      |      |
|  | 5.5 Turns Open           | 4904 | 957 | 2.81 | 4717 | 959 | 2.70 | 4527 | 961 | 2.57 | 4317 | 964 | 2.43 | 4125 | 967  | 2.29 | 3897 | 970  | 2.16 |      |      |
|  | 6.0 Turns Open           | 4685 | 937 | 2.58 | 4520 | 938 | 2.46 | 4317 | 940 | 2.34 | 4073 | 944 | 2.19 | 3871 | 946  | 2.04 | 3647 | 949  | 1.93 |      |      |

### External Static Pressures (Inches Water Column)

| Model  | Motor Sheave<br>Position | 1.50 |      |      | 1.60 |      |      | 1.70 |      |      | 1.80 |      |      | 1.90 |      |      | 2.00 |      |      |
|--|--------------------------|------|------|------|------|------|------|------|------|------|------|------|------|------|------|------|------|------|------|
|  |                          | CFM  | RPM  | Kw   | CFM  | RPM  | Kw   | CFM  | RPM  | Kw   | CFM  | RPM  | Kw   | CFM  | RPM  | Kw   | CFM  | RPM  | Kw   |
| P6SP-120<br>(3 HP)<br>High<br>Static<br>Drive<br>Kit | 1.5 Turns Open           |      |      |      |      |      |      |      |      |      |      |      |      |      |      |      |      |      |      |
|  | 2.0 Turns Open           |      |      |      |      |      |      |      |      |      |      |      |      |      |      |      | 4083 | 1118 | 2.93 |
|  | 2.5 Turns Open           |      |      |      |      |      |      |      |      |      |      |      | 4068 | 1096 | 2.87 | 3797 | 1099 | 2.68 |      |
|  | 3.0 Turns Open           |      |      |      |      |      |      | 4327 | 1072 | 2.96 | 4137 | 1074 | 2.78 | 3824 | 1077 | 2.60 | 3511 | 1080 | 2.42 |
|  | 3.5 Turns Open           |      |      |      |      |      |      |      |      |      |      |      | 3313 | 1063 | 2.26 |      |      |      |      |
|  | 4.0 Turns Open           | 4358 | 1030 | 2.74 | 4135 | 1033 | 2.60 | 3912 | 1036 | 2.46 | 3640 | 1040 | 2.29 |      |      |      |      |      |      |
|  | 4.5 Turns Open           | 4137 | 1012 | 2.50 | 3749 | 1016 | 2.35 | 3361 | 1020 | 2.20 |      |      |      |      |      |      |      |      |      |
|  | 5.0 Turns Open           | 3915 | 993  | 2.26 | 3363 | 999  | 2.10 |      |      |      |      |      |      |      |      |      |      |      |      |
|  | 5.5 Turns Open           | 3595 | 973  | 2.02 |      |      |      |      |      |      |      |      |      |      |      |      |      |      |      |
|  | 6.0 Turns Open           |      |      |      |      |      |      |      |      |      |      |      |      |      |      |      |      |      |      |

#### NOTES:

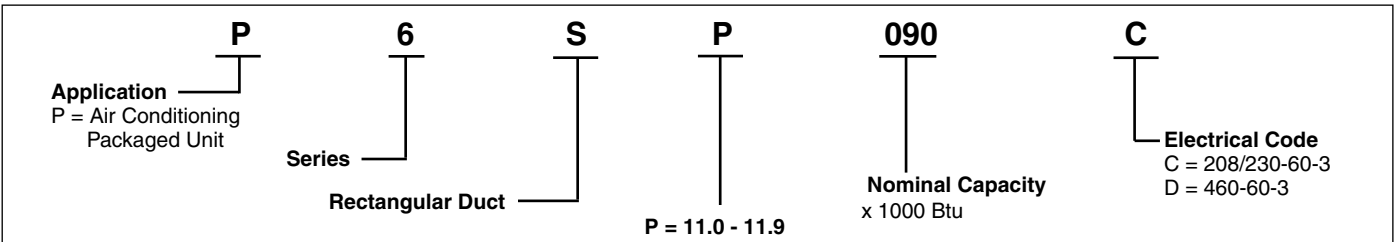
\* Denotes Factory sheave setting.  
 Low Static Drive Consists of: 2 Hp Motor; 1VP40 Motor Sheave; BK 75 Blower Pulley & B-49 belt  
 High Static Drive Consists of: 3 Hp Motor; 1VP50 Motor Sheave; BK 75 Blower Pulley & B-51 belt  
 Boldface type indicates factory recommended blower operating range.  
 Values include losses for air filters, unit casing, and dry evaporator coil.  
 See Accessory Performance Data table for additional static pressure information.

# P6SP ELECTRICAL DATA

| Model Number                     | Nominal Electric Supply | Voltage Range  | Compressors |     | Outdoor motors (2) ea. | Indoor Motor | Single Circuit |           |         |         |         | Single Circuit |           |         |         |         |          |           |
|----------------------------------|-------------------------|----------------|-------------|-----|------------------------|--------------|----------------|-----------|---------|---------|---------|----------------|-----------|---------|---------|---------|----------|-----------|
|                                  |                         |                |             |     |                        |              | MCA            |           |         |         |         | MOP            |           |         |         |         |          |           |
| <b>Factory Drive Data:</b>       |                         |                |             |     |                        |              |                |           |         |         |         |                |           |         |         |         |          |           |
| P6SP                             |                         | Min            | Max         | Qty | RLA                    | LRA          | FLA            | FLA       | 0 kW    | 9 kW    | 18 kW   | 30 kW          | 35 kW     | 0 kW    | 9 kW    | 18 kW   | 30 kW    | 35 kW     |
| -072C                            | 208 - 230/60/3          | 187            | 253         | 1   | 19                     | 123          | 1.5            | 3.2 - 3.1 | 30 - 30 | 30 - 31 | 50 - 57 | 80 - 91        | NA        | 45 - 45 | 45 - 45 | 55 - 60 | 90 - 100 | NA        |
| -072D                            | 460/60/3                | 414            | 506         | 1   | 9.7                    | 62           | 0.8            | 1.5       | 16      | 17      | 29      | 46             | NA        | 20      | 20      | 30      | 50       | NA        |
| -090C                            | 208 - 230/60/3          | 187            | 253         | 2   | 13.1                   | 83.1         | 2.3            | 6.2 - 5.8 | 41 - 40 | 41 - 40 | 54 - 60 | 83 - 94        | 99 - 112  | 50 - 50 | 50 - 50 | 55 - 70 | 90 - 100 | 100 - 125 |
| -090D                            | 460/60/3                | 414            | 506         | 2   | 6.1                    | 41           | 1.2            | 2.9       | 19      | 19      | 31      | 47             | 56        | 25      | 25      | 35      | 50       | 60        |
| -120C                            | 208 - 230/60/3          | 187            | 253         | 2   | 16.0                   | 110          | 2.3            | 6.2 - 5.8 | 47 - 47 | 47 - 47 | 54 - 60 | 83 - 94        | 99 - 112  | 60 - 60 | 60 - 60 | 60 - 70 | 90 - 100 | 100 - 125 |
| -120D                            | 460/60/3                | 414            | 506         | 2   | 7.8                    | 52           | 1.2            | 2.9       | 23      | 23      | 31      | 47             | 56        | 30      | 30      | 35      | 50       | 60        |
| <b>Medium Static Drive Data:</b> |                         |                |             |     |                        |              |                |           |         |         |         |                |           |         |         |         |          |           |
| -072C                            | 208 - 230/60/3          | 187            | 253         | 1   | 19                     | 123          | 1.5            | 4.4 - 4.2 | 32 - 31 | 32 - 33 | 51 - 58 | 81 - 92        | NA        | 50 - 45 | 50 - 45 | 60 - 60 | 90 - 100 | NA        |
| -072D                            | 460/60/3                | 414            | 506         | 1   | 9.7                    | 62           | 0.8            | 2.1       | 16      | 18      | 30      | 46             | NA        | 25      | 25      | 35      | 50       | NA        |
| -090C                            | 208 - 230/60/3          | 187            | 253         | 2   | 13.1                   | 83.1         | 2.3            | 9.1 - 8.9 | 44 - 43 | 44 - 43 | 57 - 64 | 87 - 98        | 103 - 116 | 55 - 55 | 55 - 55 | 60 - 70 | 90 - 100 | 100 - 125 |
| -090D                            | 460/60/3                | 414            | 506         | 2   | 6.1                    | 41           | 1.2            | 4.4       | 21      | 21      | 33      | 49             | 58        | 25      | 25      | 35      | 50       | 60        |
| -120C                            | 208 - 230/60/3          | Not Applicable |             |     |                        |              |                |           |         |         |         |                |           |         |         |         |          |           |
| -120D                            | 460/60/3                | Not Applicable |             |     |                        |              |                |           |         |         |         |                |           |         |         |         |          |           |
| <b>High Static Drive Data:</b>   |                         |                |             |     |                        |              |                |           |         |         |         |                |           |         |         |         |          |           |
| -072C                            | 208 - 230/60/3          | Not Applicable |             |     |                        |              |                |           |         |         |         |                |           |         |         |         |          |           |
| -072D                            | 460/60/3                | Not Applicable |             |     |                        |              |                |           |         |         |         |                |           |         |         |         |          |           |
| -090C                            | 208 - 230/60/3          | 187            | 253         | 2   | 13.1                   | 83.1         | 2.3            | 9.1 - 8.9 | 44 - 43 | 44 - 43 | 57 - 64 | 87 - 98        | 103 - 116 | 55 - 55 | 55 - 55 | 60 - 70 | 90 - 100 | 100 - 125 |
| -090D                            | 460/60/3                | 414            | 506         | 2   | 6.1                    | 41           | 1.2            | 4.4       | 21      | 21      | 33      | 49             | 58        | 25      | 25      | 35      | 50       | 60        |
| -120C                            | 208 - 230/60/3          | 187            | 253         | 2   | 16.0                   | 110          | 2.3            | 9.1 - 8.9 | 50 - 50 | 50 - 50 | 57 - 64 | 87 - 98        | 103 - 116 | 60 - 60 | 60 - 60 | 60 - 70 | 90 - 100 | 100 - 125 |
| -120D                            | 460/60/3                | 414            | 506         | 2   | 7.8                    | 52           | 1.2            | 4.4       | 25      | 25      | 33      | 49             | 58        | 30      | 30      | 35      | 50       | 60        |

Notes: FLA = Full Load Amps      MCA = Minimum Circuit Ampacity      C Series, Electrical unit data shown for 208V - 230V  
 RLA = Rated Load Amps      MOP = Maximum Over-Current Protection      D Series, Electrical unit data shown for 460V  
 LRA = Locked Rotor Amps      NA=Not Applicable

## MODEL IDENTIFICATION CODE



## ELECTRICAL DATA FOR POWER EXHAUST ACCESSORY KITS

| Model          | Part # | Volts | HP  | CFM  | FLA | Fuse | MCA  | MOP  |
|----------------|--------|-------|-----|------|-----|------|------|------|
| P6SP-072 & 090 | 547867 | 230   | 1/2 | 2350 | 3.0 | 6A   | 3.75 | 6.75 |
| P6SP-072 & 090 | 547868 | 460   | 1/2 | 2350 | 1.5 | 3A   | 1.88 | 3.38 |
| P6SP-120       | 547876 | 230   | 3/4 | 4900 | 4.0 | 9A   | 5.00 | 9.00 |
| P6SP-120       | 547877 | 460   | 3/4 | 4900 | 2.0 | 4A   | 2.50 | 4.50 |

## HIGH STATIC DRIVE KITS

### P6SP SERIES UNITS

| UNIT MODEL # | E.S.P. RANGE<br>(IN-WG) | DOWNFLOW<br>KIT | HORIZONTAL<br>KIT |
|--------------|-------------------------|-----------------|-------------------|
| -072C        | 0.8 - 1.6               | 920609          | 920609            |
| -072D        |                         | 920560          | 920560            |
| -090C        | 0.8 - 1.6               | 920607          | 920607            |
|              | 1.2 - 2.0               | 920559          | 920559            |
| -090D        | 0.8 - 1.6               | 920606          | 920606            |
|              | 1.2 - 2.0               | 920558          | 920558            |
| -120C        | 0.9 - 2.0               | 920395          | 920395            |
| -120D        |                         | 920396          | 920396            |

# ACCESSORIES

| NORDYNE Part # | Description   | P6SP - 072      | P6SP - 090 | P6SP - 120      |
|----------------|---|-----------------|------------|-----------------|
| 559914         | Horizontal Supply & Return Kit  | X               | X          |                 |
| 547881         | Horizontal Supply & Return Kit  |                 |            | X               |
| 547860         | Hinged Roof Curb 8" High - K/D  | X               | X          | X               |
| 547861         | Hinged Roof Curb 14" High - K/D   | X               | X          | X               |
| 547862         | Hinged Roof Curb 18" High - K/D   | X               | X          | X               |
| 547863         | Hinged Roof Curb 24" High - K/D   | X               | X          | X               |
| 559411         | Hooded Hail Guard   |                 | X          |                 |
| 558857         | Hooded Hail Guard   |                 |            | X               |
| 547864         | 0-35% Manual Outside Air Damper   | X               | X          |                 |
| 547874         | 0-35% Manual Outside Air Damper   |                 |            | X               |
| 547865         | 0-35% Motorized Damper - Only (Requires 547864 OR 547874 Panel Kit)     | X               | X          | X               |
| 559375         | Economizer - Modulating w/ Relief, Adapts Horizontal                    | X               | X          |                 |
| 559374         | Economizer - Modulating w/ Relief, Adapts Horizontal                    |                 |            | X               |
| 920233         | Sensor, Enthalpy, C7400A (For Economizer Differential Enthalpy Control) | X               | X          | X               |
| 547848         | CO2 Sensor for economizer control - 4-9v dc                             | X               | X          | X               |
| 547867         | Power Exhaust - Prop (208/230v/3ph), Adapts Horizontal                  | X               | X          | <b>See Note</b> |
| 547868         | Power Exhaust - Prop (460v/3ph), Adapts Horizontal                      | X               | X          | <b>See Note</b> |
| 547876         | Power Exhaust - Prop (208/230v/3ph), Adapts Horizontal                  | <b>See Note</b> |            | X               |
| 547877         | Power Exhaust - Prop (460v/3ph), Adapts Horizontal                      | <b>See Note</b> |            | X               |
| 547869         | 20" Supply & Return Transition Round                                    | X               | X          |                 |
| 547870         | 20" Flush Mount Concentric Diffuser Round                               | X               | X          |                 |
| 547871         | 20" Step Down Concentric Diffuser Round                                 | X               | X          |                 |
| 547878         | 18" x 28" Supply & Return Transition                                    |                 |            | X               |
| 547879         | 18" x 28" Flush Mount Concentric Diffuser                               |                 |            | X               |
| 547880         | 18" x 28" Step Down Concentric Diffuser                                 |                 |            | X               |
| 558863         | Duct Smoke Detector Photo Elect.  | X               | X          | X               |
| 547893         | Duct Smoke Detector, Remote Multi-signal control SSK 451                | X               | X          | X               |
| 558863         | Smoke Detector Sampling Tube DST3, 2-4 ft.                              | X               | X          | X               |
| 558864         | Smoke Detector Sampling Tube DST5, 4-8 ft.                              | X               | X          | X               |
| 920463         | Low Ambient Kit   | X               | X          | X               |
| 920464         | Bottom Power Entry Kit  | X               | X          |                 |
| 917454         | Bottom Power Entry Kit  |                 |            | X               |
| 917423A        | H5HK009Q-01 9KW - 208/240V, 3Ø  | X               | X          | X               |
| 917424A        | H5HK018Q-11 18KW - 208/240V, 3Ø   | X               | X          | X               |
| 920614         | H5HK030Q-22 30KW - 208/240V, 3Ø   | X               | X          | X               |
| 917425A        | H5HK035Q-22 35KW - 208/240V, 3Ø   |                 | X          | X               |
| 920616         | H5HK009S-01 9KW - 480V, 3Ø  | X               | X          | X               |
| 917426A        | H5HK018S-01 18KW - 480V, 3Ø   | X               | X          | X               |
| 920615         | H5HK030S-01 30KW - 480V, 3Ø   | X               | X          | X               |
| 917427A        | H5HK035S-01 35KW - 480V, 3Ø   |                 | X          | X               |
| 920619         | Thermostat-3 Stage Heat/2 Stage Cool (requires "O" & "B" terminals)     | X               | X          | X               |

**Note:**  
Requires separate branch circuit, see table Electrical Data For Power Exhaust Accessory Kits, pg 13



### GENERAL TERMS OF LIMITED WARRANTY

NORDYNE will furnish a replacement for any part of this product which fails in normal use and service, in accordance with the terms of the warranty.

For complete details of the Limited Warranty, including applicable terms and conditions, see your local installer or contact the NORDYNE warranty department for a copy.



Specifications and illustrations subject to change without notice and without incurring obligations. Printed in U.S.A (01/2011)

011D-0111 (Replaces 011D-0310)