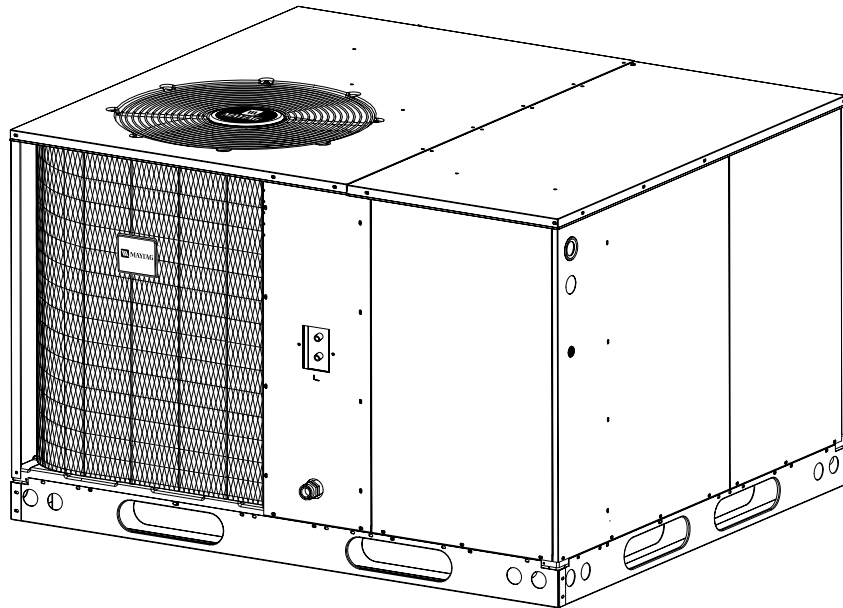




TECHNICAL SPECIFICATIONS

Model P4SD Series



M120 Product Line

**Single Packaged Air Conditioning,
13 SEER - 3, 4 and 5 Ton Units**

- **12 YEAR ALL PARTS WARRANTY**
- **This product offers a 1 Year Dependability Promise to replace the unit if the compressor fails in the first year of operation, to the original owner. All split system products must be installed with a matched indoor air handler or indoor coil to qualify.**
- **Product registration required for 12-year All Parts Warranty and Dependability Promise within a limited period of time after the installation. See current warranty document for details. This can be viewed at www.maytagvac.com or ask your sales representative.**

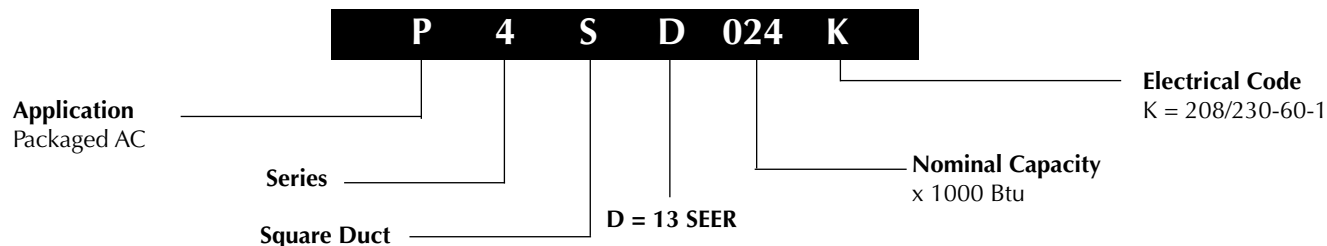


The P4SD Series single packaged air conditioners are high efficiency self contained cooling units that can be installed on a roof or on a slab. The convertible unit design makes installations simple in all applications. Units are ETL and ETLc listed.

Features and Benefits

- **Compact Footprint/Low Profile**
Easy to handle and transport.
- **Five Minute Restart Time Delay** – When the unit shuts down, a five minute delay keeps the unit from restarting, eliminating the highest cause for compressor failure.
- **Heavy-Gauge, Full Perimeter Base Rails**
Facilitates forklift handling and curb mounting.
- **Convertible Air Delivery**
Horizontal or downflow to accommodate rooftop or horizontal application.
- **Galvanized Steel Cabinet**
Polyurethane finish provides 950 hours salt spray protection.
- **Plastic Coated Coil Guard and Mesh Hail Guard**
Will never rust and protects the coil from being damaged by balls, lawnmowers, hail etc.
- **Externally Accessible Service Ports**
Quick access to refrigerant system without disrupting operation.
- **Access to Controls and Major Components**
Easy in and out service.
- **Corrosion-Resistant Drain Pan**
Quickly drains away evaporator condensate.
- **Service Access Panels**
Allows easy access to all major components and the compressor. Designed to make servicing easier for the Contractor.
- **Easy to Install**
Electric heat strip provides up to 20 KW of heat output.
- **Proven, Industry Standard Components**
Easier service and availability.
- **Quiet Operation and Low Vibration**
20" fan blade combined with custom venturi condenser fan.
- **Accessories**
Roof curbs and more.

IDENTIFICATION CODE



SPECIFICATIONS

| Model Number | P4SD | | |
|----------------------------------|------------|------------|------------|
| | 036K | 048K | 060K |
| Performance | | | |
| Capacity -Cooling BTUH | 35,000 | 47,000 | 56,500 |
| Efficiency - SEER | 13.00 | 13.00 | 13.00 |
| EER (Btuh/watt) | 11.0 | 11.0 | 11.0 |
| Electrical Rating - 60 Hz | | | |
| Phase | 1 | 1 | 1 |
| Operating Voltage Range | 187 - 253 | 187 - 253 | 187 - 253 |
| Compressor Data | | | |
| Volts | 208 / 230 | 208 / 230 | 208 / 230 |
| Rated Load Amps | 16 | 24.3 | 28.2 |
| Lock Rotor Amps | 77 | 131 | 141 |
| Indoor Blower | | | |
| Type / No. of Speeds | DD / 3 | NA / 5 | NA / 5 |
| Motor - HP / RPM | 1/4 - 1100 | 1/2 - 1685 | 3/4 - 2010 |
| Motor - Amps | 1.3 | 4.1 | 6.0 |
| Outdoor Fan | | | |
| Motor - HP / RPM | 1/8 - 1100 | 1/4 - 1100 | 1/4 - 1100 |
| Motor - Amps | 1.2 | 1.2 | 1.2 |
| Fan Diameter / CFM | 20/3600 | 20/3600 | 20/3600 |
| Refrigerant Charge - Oz. | 91.5 | 171.2 | 187.2 |
| Shipping Weight | 415 | 425 | 490 |

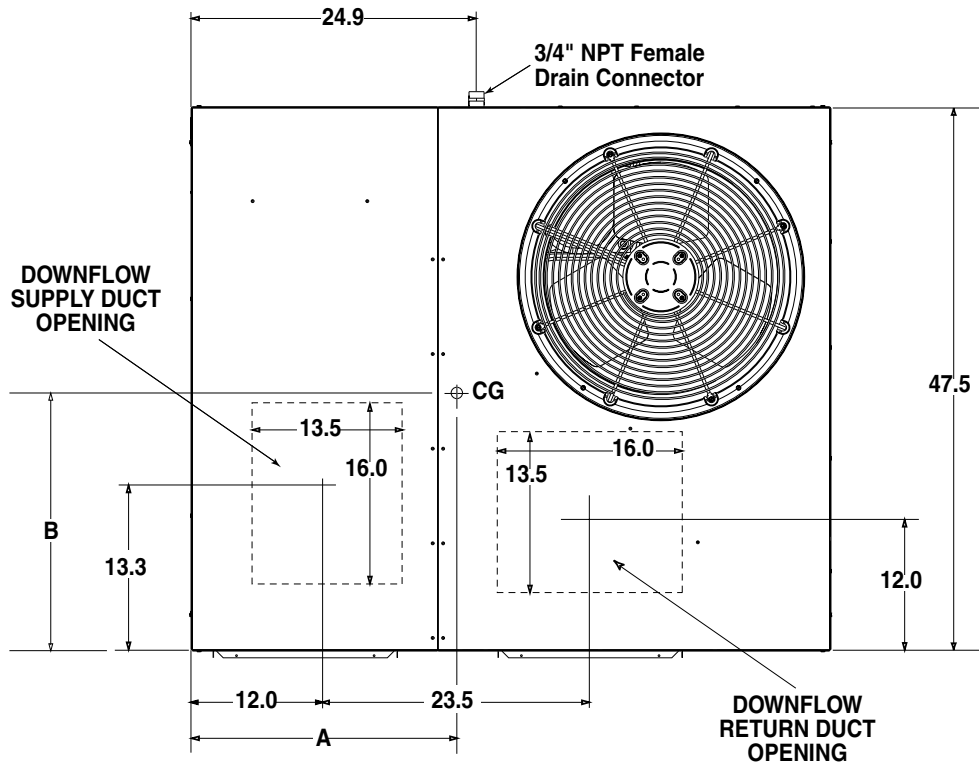
BLOWER PERFORMANCE

| Model Number | | External Static Pressure Drop - inches water column | | | | | | | |
|--------------|-----------|---|------|------|------|------|------|------|------|
| P4SD | | 0.1 | 0.2 | 0.3 | 0.4 | 0.5 | 0.6 | 0.7 | 0.8 |
| 036 | High | 1600 | 1510 | 1410 | 1310 | 1200 | 1070 | 930 | 760 |
| | Medium* | 1410 | 1330 | 1250 | 1150 | 1050 | 940 | 820 | 670 |
| | Low | 1130 | 1070 | 1000 | 930 | 850 | 760 | 650 | 530 |
| 048 | Tap T1 | 1190 | 1100 | 1000 | 970 | 910 | 855 | 790 | 760 |
| | Tap T2 | 1230 | 1180 | 1120 | 1080 | 1030 | 980 | 930 | 875 |
| | Tap T3 | 1310 | 1259 | 1200 | 1152 | 1097 | 1044 | 991 | 931 |
| | * Tap T4 | 1463 | 1416 | 1400 | 1321 | 1270 | 1220 | 1175 | 1120 |
| | ** Tap T5 | 1680 | 1640 | 1600 | 1550 | 1520 | 1470 | 1430 | 1380 |
| 060 | Tap T1 | 1515 | 1450 | 1380 | 1350 | 580 | 1250 | 1200 | 1160 |
| | Tap T2 | 1580 | 1520 | 1460 | 1400 | 1300 | 1300 | 1260 | 1230 |
| | Tap T3 | 1740 | 1690 | 1650 | 1600 | 1360 | 1500 | 1460 | 1390 |
| | * Tap T4 | 1960 | 1910 | 1840 | 1820 | 1540 | 1740 | 1700 | 1600 |
| | ** Tap T5 | 2090 | 2050 | 2010 | 1975 | 1780 | 1900 | 1850 | 1790 |

* Denotes factory set cooling speed

** Denotes factory set electric heating speed

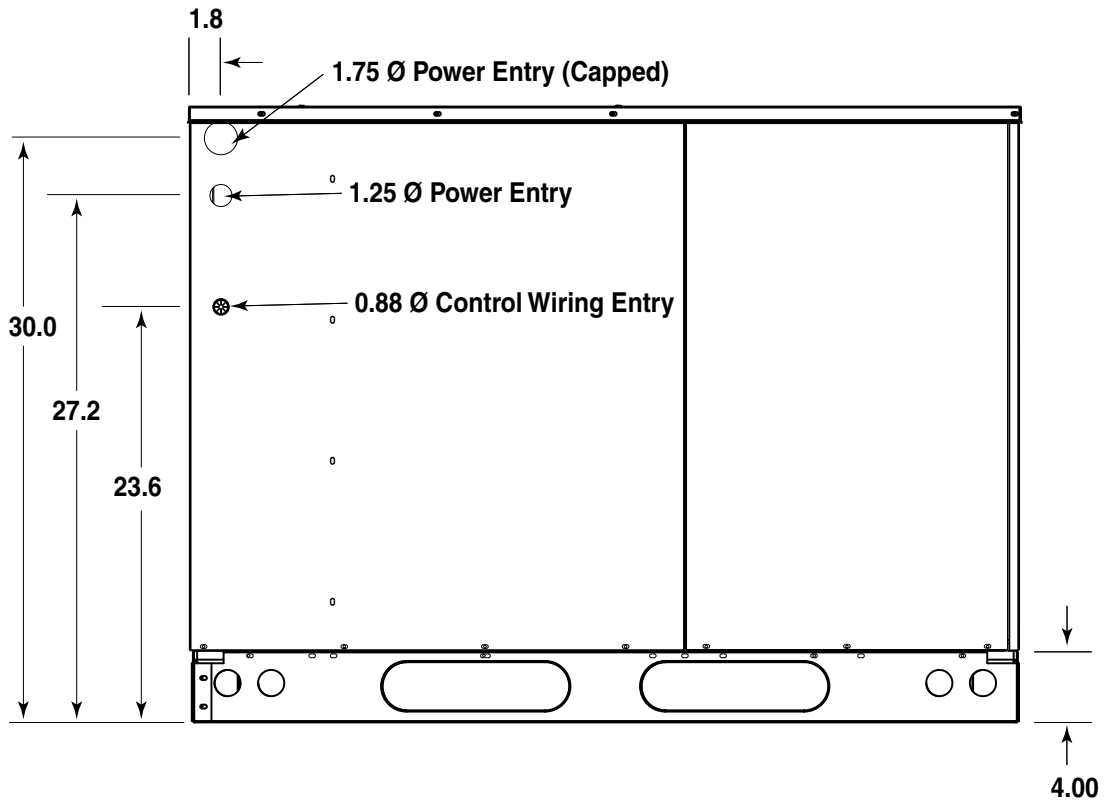
DIMENSIONS



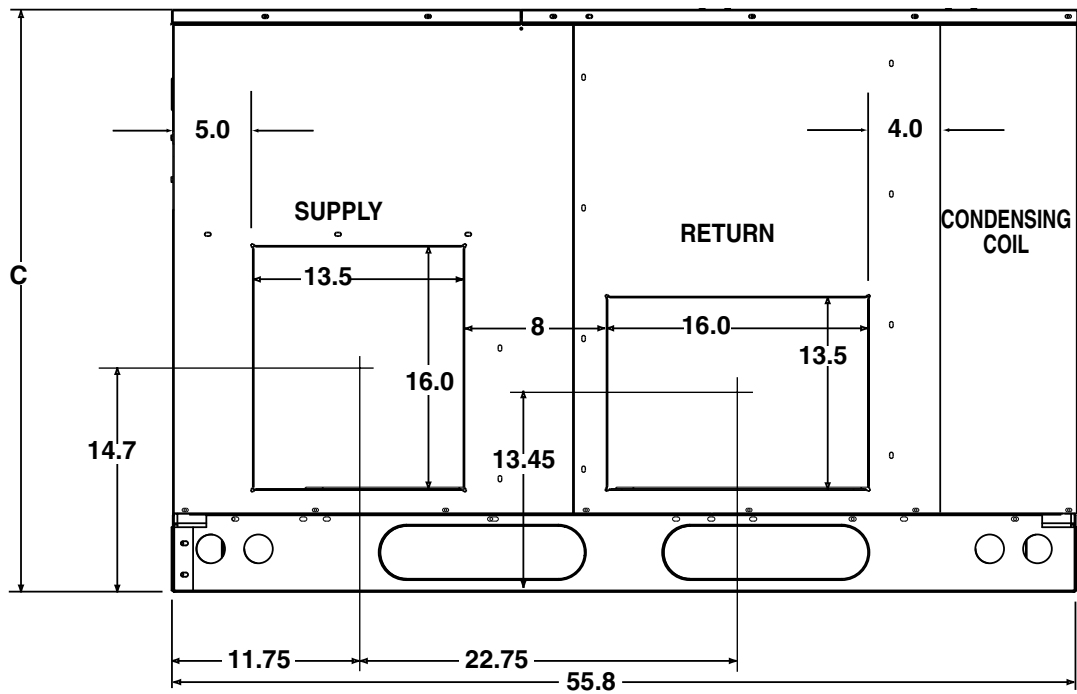
Top View

| Model Number P4SD | Unit Weight | Center of Gravity | | Height (in inches) | |
|----------------------|----------------|-------------------|------|--------------------|--------------------|
| | | A | B | C | |
| | | | | with base rails | without base rails |
| 036 | 405 | 29.5 | 26.0 | 37.7 | 35.3 |
| 048 | 415 | 29.5 | 26.5 | 37.7 | 35.3 |
| 060 | 480 | 30.0 | 27.5 | 41.7 | 39.3 |

DIMENSIONS continued



Side View



Back (Duct) View

ELECTRICAL DATA

| Model Number | Heater Installed Norm. KW | Single Supply Circuit Option | | | | | | Multiple Supply Circuit Option | | | | | | | | | | |
|--------------|---------------------------|------------------------------|---------------------|---------------------|-----------------------------|---------------------|---------------------|--------------------------------|---------------------|---------------------|----------------------|---------------------|---------------------|----|----|---|---|---|
| | | Circuit A (Compressor & Fan) | | | Circuit B (Blower & Heater) | | | Circuit C (Heater Only) | | | | | | | | | | |
| | | Minimum Circuit Amp. | Rec. Gage (60°C Cu) | Wire Gage (90°C Cu) | Minimum Circuit Amp. | Rec. Gage (60°C Cu) | Wire Gage (90°C Cu) | Minimum Circuit Amp. | Rec. Gage (60°C Cu) | Wire Gage (90°C Cu) | Minimum Circuit Amp. | Rec. Gage (60°C Cu) | Wire Gage (90°C Cu) | | | | | |
| P4SD-036K | 0 | 22.5 | 10 | 10 | 10 | 35 | - | - | - | - | - | - | - | - | - | - | - | - |
| | 5 | 26.6 | 10 | 10 | 10 | 35 | - | - | - | - | - | - | - | - | - | - | - | - |
| | 8 | 41.2 | 6 | 8 | 8 | 45 | - | - | - | - | - | - | - | - | - | - | - | - |
| | 10 | 51.6 | 6 | 6 | 8 | 60 | - | - | - | - | - | - | - | - | - | - | - | - |
| | 15 | 76.6 | 3 | 4 | 4 | 80 | 50.0 | 6 | 8 | 8 | 26.6 | 10 | 10 | 10 | 30 | - | - | - |
| P4SD-048K | 0 | 35.7 | 8 | 8 | 8 | 50 | - | - | - | - | - | - | - | - | - | - | - | - |
| | 5 | 35.7 | 8 | 8 | 8 | 50 | - | - | - | - | - | - | - | - | - | - | - | - |
| | 8 | 44.7 | 6 | 8 | 8 | 50 | - | - | - | - | - | - | - | - | - | - | - | - |
| | 10 | 55.1 | 4 | 6 | 6 | 60 | - | - | - | - | - | - | - | - | - | - | - | - |
| | 15 | 80.1 | 3 | 4 | 4 | 90 | 50 | 6 | 8 | 8 | 30 | 8 | 8 | 8 | 35 | - | - | - |
| P4SD-060K | 0 | 105.1 | 1 | 2 | 3 | 110 | 50 | 6 | 8 | 8 | 55.1 | 4 | 6 | 6 | 60 | - | - | - |
| | 5 | 43.2 | 6 | 8 | 8 | 70 | - | - | - | - | - | - | - | - | - | - | - | - |
| | 8 | 43.2 | 6 | 8 | 8 | 70 | - | - | - | - | - | - | - | - | - | - | - | - |
| | 10 | 47.1 | 6 | 8 | 8 | 70 | - | - | - | - | - | - | - | - | - | - | - | - |
| | 15 | 57.5 | 4 | 6 | 6 | 70 | 37.2 | 8 | 8 | 8 | 57.5 | 4 | 6 | 6 | 60 | - | - | - |
| 20 | 82.5 | 3 | 4 | 4 | 90 | 50 | 6 | 8 | 8 | 32.5 | 8 | 8 | 8 | 35 | - | - | - | |
| 20 | 107.5 | 1 | 2 | 2 | 3 | 110 | 37.2 | 8 | 8 | 57.5 | 4 | 6 | 6 | 60 | 50 | 6 | 8 | 8 |

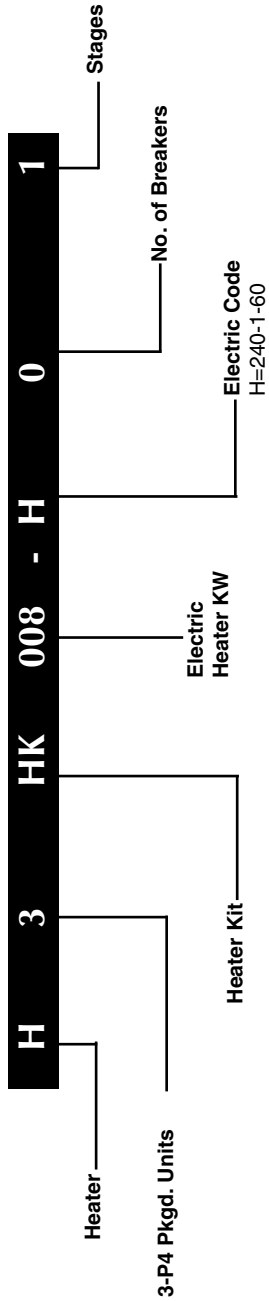
*When overcurrent rating exceeds 60, internal circuit breakers must be installed in addition to branch circuit protection at distribution panel.

HEATER APPLICATION MATRIX

| Model Number | H3HK-005H-01A 917166A | H3HK-008H-01A 917167A | H3HK-010H-01A 917168A | H3HK-015H-01A 917169A | H3HK-020H-01A 917170A | H3HK-015H-21A 917172A | H3HK-020H-21A 917173A |
|--------------|--------------------------|--------------------------|--------------------------|--------------------------|--------------------------|--------------------------|--------------------------|
| P4SD-036K | X | X | X(2) | X(2) | NA | X | NA |
| P4SD-048K | X(2) | X(2) | X(2) | X(3) | X(3) | X(1) | X(1) |
| P4SD-060K | X(2) | X(2) | X(2) | X(3) | X(3) | X(1) | X(1) |

NA = Not Applicable.
() = Number of internal circuit breaker kits required.

IDENTIFICATION CODE



ACCESSORIES

| Description | Part Number |
|---|-------------|
| Roof Curb (8") | 547830 |
| Roof Curb (14") | 547831 |
| Roof Curb (18") | 547850 |
| Roof Curb (24") | 547851 |
| Manual Fresh Air Damper | 547832 |
| Filter Rack, All Downflow Applications (not required with economizer) | 547885 |
| Filter Kit (not required with economizer) for Horizontal Applications P4SA 036 | 547886 |
| Filter Kit (not required with economizer) for Horizontal Applications P4SA 048 | 547887 |
| Filter Kit (not required with economizer) for Horizontal Applications P4SA 060 | 547888 |
| Universal Hard Start Kit | 912933 |
| Low Pressure Switch Kit | 913551 |
| High Pressure Switch Kit | 913550 |
| Low Ambient Kit | 913549A |
| P-Trap Kit | 913810 |
| U.S. LP Gas Conversion Kit (0 ft to 10,000 ft above sea level) | 903616 |
| Canadian LP Gas Conversion Kit (0 to 4,500 ft above sea level) | 903617 |
| Outdoor Thermostat Kit | 913852 |



CERTIFICATION APPLIES
ONLY WHEN THE
COMPLETE SYSTEM
IS LISTED WITH ARI



Before purchasing this appliance, read important energy cost and efficiency information available from your retailer. Specifications and illustrations subject to change without notice and without incurring obligations.

Maytag is a registered trademark of the Maytag Corporation and is used under license.

027C-0207 (Replaces 027C-0306)

Printed in U.S.A. (02/07)