

QUICK REFERENCE DATA

*S6BE SERIES RESIDENTIAL SPLIT SYSTEM AIR CONDITIONER

14 SEER

MODEL NUMBER: *S6BE		018K	024K	030K	036K	
ELECTRICAL DATA	Volts-Cycles-Phase (1)		208/230-60-1			
	Total Amps		7.4	9.0	10.8	13.4
	Delay Fuse Max. (2)		15	15	20	25
	Min. Circuit Ampacity		9.0	11.1	13.3	16.5
CONDENSER DATA	Coil	Area	11.7	11.7	15.2	20.4
		Rows-FPI	1-23	1-23	1-18	1-18
		Tube Dia	MC			
	Fan Motor	Type	PSC			
		Amps	0.7	0.7	0.9	1.0
		HP	0.10	0.10	0.13	0.20
	Compressor Data	RLA	6.7	8.3	9.9	12.4
LRA		42.0	50.0	69.0	67.0	
RECOMMENDED REFRIGERANT SUCTION LINE O.D.* NOTE: Liquid line is 3/8" O.D. for entire length.		0-24 ft.	3/4"	3/4"	3/4"	3/4"
		25-39 ft.	3/4"	3/4"	3/4"	7/8" (3)
		40-75 ft.	3/4"	3/4"	3/4"	7/8" (3)
REFRIGERANT CHARGE: R-410A in ounces for outdoor unit, indoor unit and 15' line set. (5)		56.0	61.0	62.0	76.0	
APPROXIMATE WEIGHT (LBS.)		Net	117	131	137	146
		Ship	124	138	145	155

- (1) Operating Voltage Range: 187v min. — 253v max.
- (2) HACR Type Circuit Breakers may be used.
- (3) Requires 7/8" to 3/4" reducer from line to unit.
- (4) Requires 7/8" to 1-1/8" reducer from line to unit.
- (5) Additional charge for line sets above 15 feet. Values based on suction line as follows with 3/8" liquid line.
 - (a) 3/4" = 0.6 oz. per additional foot.
 - (b) 7/8" = 0.7 oz. per additional foot.
 - (c) 1 1/8" = 0.8 oz. per additional foot.

* For other line set dimensions, refer to the Application Guidelines for Refrigerant Lines Addendum.

NOTE: Cells with dashed lines indicate preliminary data.

Table 1. Electrical Specifications & Physical Data

WIRE GAUGE	RECOMMENDED MAXIMUM WIRE LENGTH (FT) FROM UNIT TO THERMOSTAT
22	45
20	70
18	115
16	180

Table 2. Control Wiring (24V)

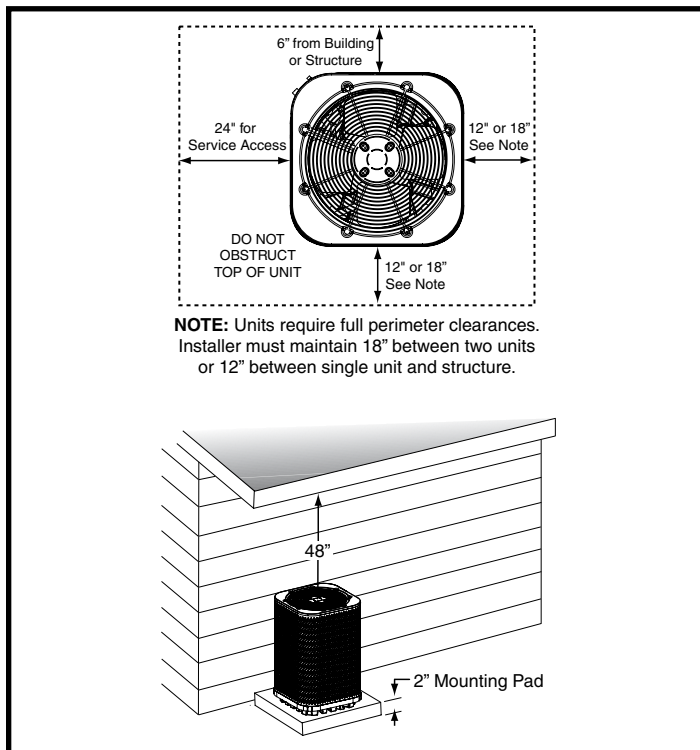
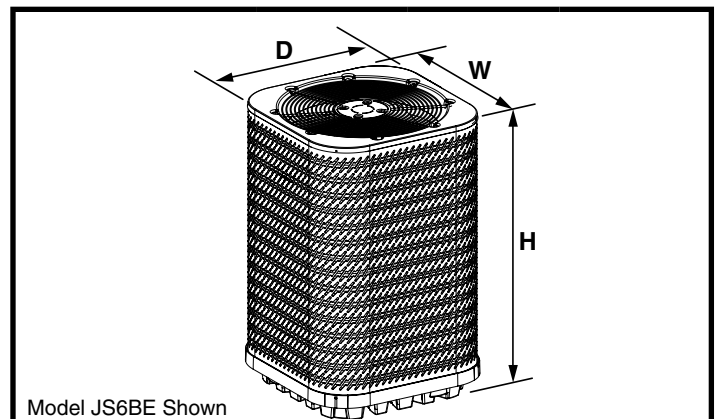


Figure 1. Clearance Requirements



Model JS6BE Shown

MODEL NUMBER	HEIGHT (H)	WIDTH (W)	DEPTH (D)
*S6BE-018K	31 1/2"	22 3/4"	22 3/4"
*S6BE-024K	31 1/2"	22 3/4"	22 3/4"
*S6BE-030K	27 1/2"	30 3/4"	30 3/4"
*S6BE-036K	35 1/2"	30 3/4"	30 3/4"

Table 3. Unit Dimensions

Instructions:

1. Find the column for the model of outdoor unit that is being installed.
2. Find the row for the model of the indoor unit that is being installed.
3. Find the cell in the table in which this row and column meet. In this cell the appropriate orifice / TXV and charge addition for this match are listed. If the text in this cell is **BOLD**, then a change of orifice is necessary.
4. If a change in restrictor is necessary, then the appropriate restrictor will already be supplied with the outdoor unit.

Examples:

- For the *S6BE-018K / B6BMM024K-A match the restrictor must be changed to the .051" and 5 ounces of refrigerant should be added to the system (CHANGE IN CHARGE AND ORIFICE).
- For the *S6BE-036K / B6EMMX36K-B match the appropriate TXV is the 669566 and 2 ounces of refrigerant should be added to the system (CHANGE IN CHARGE).

MODEL NUMBER: *S6BE		018K	024K	030K	036K
ID RESTRICTOR SUPPLIED WITH OD UNIT:		0.051	0.054	0.061	0.068
OUTDOOR UNIT BOM CHARGE (OZ.)		56	61	62	76
MODELS	SUPPLIED WITH ID	REQUIRED RESTRICTOR OR TXV (CHARGE ADDITION (OZ) / RATED AIRFLOW -SCFM)			
B6BMM0					
B6BMM024K-A	0.055	0.051 (5 / 670)	0.054 (0 / 820)	--	--
B6BMM024K-B	0.055	0.051 (5 / 670)	0.054 (0 / 820)	--	--
B6BMM030K-A	0.062	--	--	0.061 (0 / 915)	--
B6BMM030K-B	0.062	--	--	0.061 (0 / 915)	--
B6BMM036K-B	0.067	--	--	--	0.068 (2 / 1230)
B6EM					
B6EMMX24K-A	669564	669564 (3 / 650)	669564 (3 / 855)	--	--
B6EMMX24K-B	669564	669564 (3 / 650)	669564 (3 / 855)	--	--
B6EMMX30K-A	669565	--	--	669565 (6 / 945)	--
B6EMMX30K-B	669565	--	--	669565 (6 / 945)	--
B6EMMX36K-B	669566	--	--	--	669566 (2 / 1100)
B6EW					
B6EW-X24K	669564	669564 (0 / 665)	669564 (0 / 840)	--	--
B6EW-X30K	669565	--	--	669565 (9 / 1000)	--
B6EW-X36K	669566	--	--	--	669566 (0 / 1080)
B6VMMX					
B6VMMX24K-A	669564	669564 (3 / 650)	669564 (3 / 855)	--	--
B6VMMX24K-B	669564	669564 (3 / 650)	669564 (3 / 855)	--	--
B6VMMX30K-A	669565	--	--	669565 (6 / 945)	--
B6VMMX30K-B	669565	--	--	669565 (6 / 945)	--
B6VMMX36K-B	669566	--	--	--	669566 (2 / 1100)

NOTES:

- The charges listed are only valid for the standard 15' lineset.
- Part numbers beginning with 669*** are TXV part numbers and numbers listed as 0.*** are restrictor diameters.

**Table 4. Required Restrictor or TXV
(CHARGE ADDITION (OZ) / RATED AIRFLOW -SCFM)**

Instructions:

1. Find the column for the model of outdoor unit that is being installed.
2. Find the row for the model of the indoor unit that is being installed.
3. Find the cell in the table in which this row and column meet. In this cell the appropriate orifice / TXV and charge addition for this match are listed. If the text in this cell is **BOLD**, then a change of orifice is necessary.
4. If a change in restrictor is necessary, then the appropriate restrictor will already be supplied with the outdoor unit.

Examples:

- For the *S6BE-018K / B6BMM024K-A match the restrictor must be changed to the .051" and 5 ounces of refrigerant should be added to the system (CHANGE IN CHARGE AND ORIFICE).
- For the *S6BE-036K / B6EMMX36K-B match the appropriate TXV is the 669566 and 2 ounces of refrigerant should be added to the system (CHANGE IN CHARGE).

MODEL NUMBER: *S6BE		018K	024K	030K	036K
ID RESTRICTOR SUPPLIED WITH OD UNIT:		0.051	0.054	0.061	0.068
OUTDOOR UNIT BOM CHARGE (OZ.)		56	61	62	76
MODELS	SUPPLIED WITH ID	REQUIRED RESTRICTOR OR TXV (CHARGE ADDITION (OZ) / RATED AIRFLOW -SCFM)			
C7-0					
C7B(A,H)M01824(C,U)-A + TXV Kit	0.048	920668A (5 / 655)	920668A (3 / 780)	--	--
C7B(A,H)M01824(C,U)-B + TXV Kit	0.055	920668A (5 / 655)	920668A (3 / 780)	--	--
C7B(A,H)M03036(C,U)-A + TXV Kit	0.061	--	--	920669A (5 / 1000)	--
C7B(A,H)M03036(C,U)-B + TXV Kit	0.067	--	--	920669A (5 / 1000)	--
C7B(A,H)M03642(C,U)-B + TXV Kit	0.071	--	--	--	920670A (4 / 1215)
C7B(A,H)M03648(C,U)-C + TXV Kit	0.067	--	--	--	920670A (4 / 1215)
C7-X					
C7B(A,H)MX24(C,U)-A	669681	669681 (5 / 655)	669681 (3 / 780)	--	--
C7B(A,H)MX24(C,U)-B	669681	669681 (5 / 655)	669681 (3 / 780)	--	--
C7B(A,H)MX30(C,U)-A	669682	--	--	669682 (5 / 1000)	--
C7B(A,H)MX30(C,U)-B	669682	--	--	669682 (5 / 1000)	--
C7B(A,H)MX36(C,U)-B	669683	--	--	--	669683 (4 / 1215)
C7B(A,H)MX36(C,U)-C	669683	--	--	--	669683 (4 / 1215)

NOTES:

- The charges listed are only valid for the standard 15' lineset.
- Part numbers beginning with 669*** are TXV part numbers and numbers listed as 0.*** are restrictor diameters.

Table 4. Required Restrictor or TXV-Continued
(CHARGE ADDITION (OZ) / RATED AIRFLOW -SCFM)

