

# QUICK REFERENCE DATA

## \*SA6BF SERIES RESIDENTIAL SPLIT SYSTEM AIR CONDITIONER

16 SEER

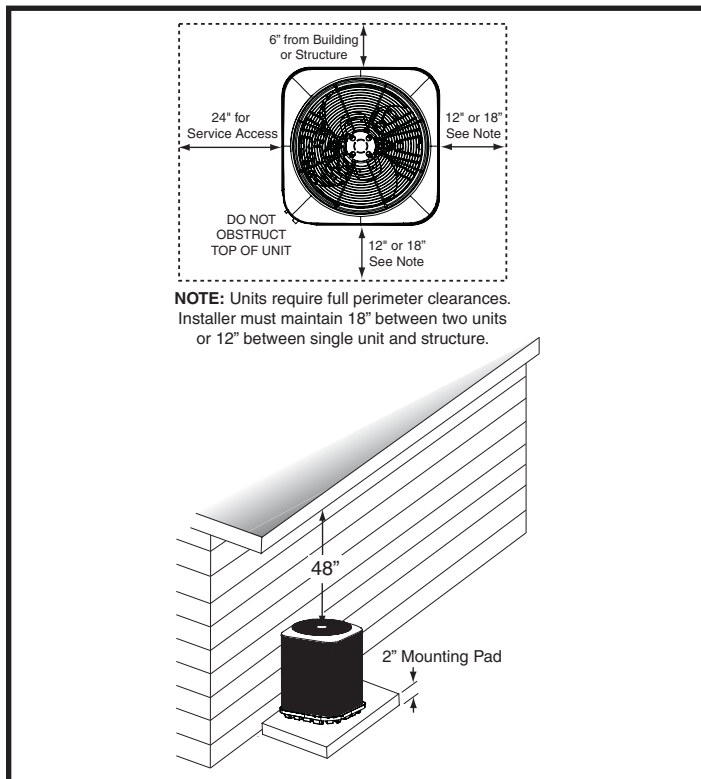
MODEL NUMBER *SA6BF-		024K	030K	036K	042K	048K	
<b>ELECTRICAL DATA</b>	Volts-Cycles-Phase (1)	208/230-60-1					
	Total Amps	14.1	13.7	15.1	19.4	22.4	
	Delay Fuse Max. (2)	30	25	30	40	45	
	Min. Circuit Ampacity	17.5	16.9	18.6	23.9	27.4	
<b>CONDENSER DATA</b>	Coil	Area	13.3	15.2	22.8	25.3	25.3
		Rows-FPI	1-23	1-18	1-18	1-23	1-23
		Tube Dia	MC				
	Fan Motor	Type	PSC				BLDC
		Amps	0.7	0.9	1.0	1.5	2.6
		HP	0.10	0.13	0.20	0.25	0.33
	Compressor Data	RLA	13.4	12.8	14.1	17.9	19.8
		LRA	58.3	64.0	77.0	112.0	109.0
<b>RECOMMENDED REFRIGERANT SUCTION LINE O.D.*</b> NOTE: Liquid line is 3/8" O.D. for entire length.		0-24 ft.	3/4"	3/4"	3/4"	7/8"	7/8"
		25-39 ft.	3/4"	3/4"	7/8" (3)	7/8"	7/8"
		40-75 ft.	3/4"	3/4"	7/8" (3)	7/8"	7/8"
<b>REFRIGERANT CHARGE:</b> R-410A in ounces for outdoor unit & 15' lineset		64.0	67.0	78.0	91.0	85.0	
<b>APPROXIMATE WEIGHT (LBS.)</b>		Net	123	136	203	196	196
		Ship	128	144	212	205	205

- (1) Operating Voltage Range: 187v min. — 253v max.
  - (2) HACR Type Circuit Breakers may be used.
  - (3) Requires 7/8" to 3/4" reducer from line to unit.
  - (4) Requires 7/8" to 1-1/8" reducer from line to unit.
  - (5) Additional charge for line sets above 15 feet. Values based on suction line as follows with 3/8" liquid line.
    - (a) 3/4" = 0.6 oz. per additional foot.
    - (b) 7/8" = 0.7 oz. per additional foot.
    - (c) 1 1/8" = 0.8 oz. per additional foot.
- \* For other line set dimensions, refer to the Application Guidelines for Refrigerant Lines Addendum.

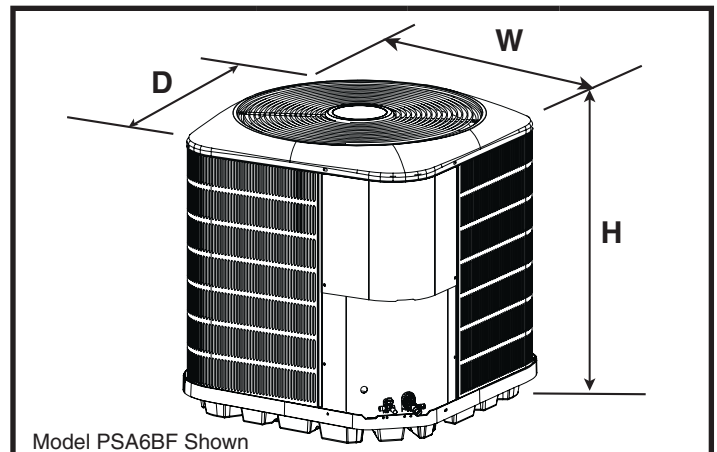
**Table 1. Electrical Specifications & Physical Data**

WIRE GAUGE	RECOMMENDED MAXIMUM WIRE LENGTH (FT) FROM UNIT TO THERMOSTAT
22	45
20	70
18	115
16	180

**Table 2. Control Wiring (24V)**



**Figure 1. Clearance Requirements**



MODEL NUMBER	HEIGHT (H)	WIDTH (W)	DEPTH (D)
*SA6BF024K	37 1/2"	22 3/4"	22 3/4"
*SA6BF030K	30"	30 3/4"	30 3/4"
*SA6BF036K	41 1/2"	30 3/4"	30 3/4"
*SA6BF042K	45 1/2"	30 3/4"	30 3/4"
*SA6BF048K	45 1/2"	30 3/4"	30 3/4"

**Table 3. Unit Dimensions**

**Instructions:**

1. Find the column for the model of outdoor unit that is being installed.
2. Find the row for the model of the indoor unit that is being installed.
3. Find the cell in the table in which this row and column meet. In this cell the appropriate orifice / TXV and charge addition for this match are listed. If the text in this cell is BOLD, then a change of orifice is necessary.
4. If a change in restrictor is necessary, then the appropriate restrictor will already be supplied with the outdoor unit.

**Examples:**

- For the \*SA6BF024K / B6EMMX24K-B match, the appropriate TXV is the 669564 and no additional charge needs to be added. (NO CHANGES ARE NECESSARY)
- For the \*SA6BF024K / C7B(A,H)M01824(C,U)-B + TXV match, the 920668A TXV Kit is needed as well as an additional 3 ounces of charge. (TXV KIT AND CHARGE ADJUSTMENT NEEDED)

MODEL NUMBER: *SA6BF		024K	030K	036K	042K	048K
OUTDOOR UNIT BOM CHARGE (OZ.)		64	67	78	91	85
MODELS	SUPPLIED WITH ID	REQUIRED RESTRICTOR OR TXV (CHARGE ADDITION (OZ) / RATED AIRFLOW -SCFM)				
<b>B6EM</b>						
B6EMMX24K-A	669564	669564 (0 / 835)	--	--	--	--
B6EMMX24K-B	669564	669564 (0 / 835)	--	--	--	--
B6EMMX30K-A	669565	--	669565 (0 / 995)	--	--	--
B6EMMX30K-B	669565	--	669565 (0 / 995)	--	--	--
B6EMMX36K-B	669566	--	--	669566 (2 / 1035)	--	--
B6EMMX48K-C	669852	--	--	--	669852 (0 / 1195)	669852 (0 / 1495)
<b>B6VM</b>						
B6VMAX24K-A	669564	669564 (19 / 840)	--	--	--	--
B6VMAX24K-B	669564	669564 (9 / 840)	--	--	--	--
B6VMAX30K-A	669565	--	669565 (7 / 980)	--	--	--
B6VMAX30K-B	669565	--	669565 (7 / 980)	--	--	--
B6VMAX36K-B	669566	--	--	669566 (11 / 1045)	--	--
B6VMAX48K-C	669568	--	--	--	669568 (23 / 1245)	669568 (21 / 1400)
<b>B6VMMX</b>						
B6VMMX24K-A	669564	669564 (0 / 835)	--	--	--	--
B6VMMX24K-B	669564	669564 (0 / 835)	--	--	--	--
B6VMMX30K-A	669565	--	669565 (0 / 995)	--	--	--
B6VMMX30K-B	669565	--	669565 (0 / 995)	--	--	--
B6VMMX36K-B	669566	--	--	669566 (2 / 1035)	--	--
B6VMMX48K-C	669568	--	--	--	669568 (0 / 1195)	669568 (0 / 1495)

ID RESTRICTOR INSTALLED WITH ID UNIT

**NOTES:**

- The charges listed are only valid for the standard 15' lineset.
- Part numbers beginning with 669\*\*\* are TXV part numbers and numbers listed as 0.\*\*\* are restrictor diameters.

**Table 4. REQUIRED RESTRICTOR OR TXV  
(CHARGE ADDITION (OZ) / RATED AIRFLOW -SCFM)**

**Instructions:**

1. Find the column for the model of outdoor unit that is being installed.
2. Find the row for the model of the indoor unit that is being installed.
3. Find the cell in the table in which this row and column meet. In this cell the appropriate orifice / TXV and charge addition for this match are listed. If the text in this cell is BOLD, then a change of orifice is necessary.
4. If a change in restrictor is necessary, then the appropriate restrictor will already be supplied with the outdoor unit.

**Examples:**

- For the \*SA6BF024K / B6EMMX24K-B match, the appropriate TXV is the 669564 and no additional charge needs to be added. (NO CHANGES ARE NECESSARY)
- For the \*SA6BF024K / C7B(A,H)M01824(C,U)-B + TXV match, the 920668A TXV Kit is needed as well as an additional 3 ounces of charge. (TXV KIT AND CHARGE ADJUSTMENT NEEDED)

MODEL NUMBER: *SA6BF		024K	030K	036K	042K	048K
OUTDOOR UNIT BOM CHARGE (OZ.)		64	67	78	91	85
MODELS	SUPPLIED WITH ID	REQUIRED RESTRICTOR OR TXV (CHARGE ADDITION (OZ) / RATED AIRFLOW -SCFM)				
<b>C7-0 + TXV</b>						
C7B(A,H)M01824(C,U)-A + TXV	0.048	<b>920668A (3 / 845)</b>	--	--	--	--
C7B(A,H)M01824(C,U)-B + TXV	0.055	<b>920668A (3 / 845)</b>	--	--	--	--
C7B(A,H)M030(C,U)-C + TXV	0.061	--	<b>920669A (0 / 860)</b>	--	--	--
C7B(A,H)M03036(C,U)-A + TXV	0.061	--	<b>920669A (0 / 860)</b>	--	--	--
C7B(A,H)M03036(C,U)-B + TXV	0.067	--	<b>920669A (0 / 860)</b>	--	--	--
C7B(A,H)M03642(C,U)-B + TXV	0.071	--	--	<b>920670A (0 / 1325)</b>	<b>920671A (0 / 1200)</b>	--
C7B(A,H)M03648(C,U)-C + TXV	0.067	--	--	<b>920670A (0 / 1325)</b>	<b>920671A (0 / 1200)</b>	--
C7B(A,H)M048(C,U)-C + TXV	0.077	--	--	--	--	<b>920672A (16 / 1500)</b>
<b>C7-X</b>						
C7B(A,H)MX24(C,U)-A	669681	<b>669681 (3 / 745)</b>	--	--	--	--
C7B(A,H)MX24(C,U)-B	669681	<b>669681 (3 / 845)</b>	--	--	--	--
C7B(A,H)MX30(C,U)-A	669682	--	<b>669682 (0 / 860)</b>	--	--	--
C7B(A,H)MX30(C,U)-B	669682	--	<b>669682 (0 / 860)</b>	--	--	--
C7B(A,H)MX30(C,U)-C	669682	--	<b>669682 (0 / 860)</b>	--	--	--
C7B(A,H)MX36(C,U)-B	669683	--	--	<b>669683 (0 / 1310)</b>	--	--
C7B(A,H)MX36(C,U)-C	669683	--	--	<b>669683 (0 / 1325)</b>	--	--
C7B(A,H)MX42(C,U)-C	669684	--	--	--	<b>669684 (0 / 1200)</b>	--
C7B(A,H)MX48(C,U)-C	669852	--	--	--	--	<b>669852 (16 / 1500)</b>
C7B(A,H)MX48(C,U)-D	669852	--	--	--	--	<b>669852 (16 / 1465)</b>
<b>C8-X (WHEN MATCHED WITH CSA6BF FOR MANUFACTURED HOUSING APPLICATIONS)</b>						
C8(B,D)AMX42U-B	669567	--	--	--	<b>669567 (0 / 1250)</b>	--
C8(B,D)AMX48U-B	669568	--	--	--	--	<b>669568 (9 / 1440)</b>

**NOTES:**

- The charges listed are only valid for the standard 15' lineset.
- Part numbers beginning with 669\*\*\* are TXV part numbers and numbers listed as 0.\*\*\* are restrictor diameters.

**Table 4. REQUIRED RESTRICTOR OR TXV - Continued  
(CHARGE ADDITION (OZ) / RATED AIRFLOW -SCFM)**

