

INSTALLATION INSTRUCTIONS



*TE Upflow Only Furnace



*TN Downflow Furnace

⚠ WARNING

FIRE OR EXPLOSION HAZARD

- Failure to follow safety warnings exactly could result in serious injury or property damage.
- Installation and service must be performed by a qualified installer, service agency or the gas supplier.
- Do not store or use gasoline or other flammable vapors and liquids in the vicinity of this or any other appliance.

WHAT TO DO IF YOU SMELL GAS

- Do not try to light any appliance.
- Do not touch any electrical switch; do not use any phone in your building.
- Leave the building immediately.
- Immediately call your gas supplier from a neighbors phone. Follow the gas suppliers instructions.
- If you cannot reach your gas supplier, call the fire department.

DO NOT DESTROY. PLEASE READ CAREFULLY & KEEP IN A SAFE PLACE FOR FUTURE REFERENCE.

TABLE OF CONTENTS

IMPORTANT SAFETY INFORMATION	3
REQUIREMENTS & CODES	4
Combustion Air Quality	5
Heating Load	5
Installation in a Garage	5
Clearances to Combustible Materials	6
Operation of Furnace During Construction	6
COMBUSTION AIR & VENTING REQUIREMENTS	7
Direct Vent Systems	8
Conventional Vent Systems - Confined Spaces	8
Air From Inside	8
Outdoor Air from a Crawl Space or Vented Attic	8
Outdoor Air Using Vertical Ducts	8
Outdoor Air Using Horizontal Ducts	9
Air Directly Through an Exterior Wall	9
Alternate Method of Providing Air from Outside:	10
Conventional Vent Systems - Unconfined Spaces	10
Category IV Venting	10
Vent Pipe Material	11
Vent Pipe Length & Diameter	11
Vent Pipe Installation	11
Outdoor Terminations - Horizontal Venting	12
Outdoor Terminations - Vertical Venting	13
Vent Freezing Protection	13
Existing Installations	13
Condensate Disposal	13
CIRCULATING AIR REQUIREMENTS	14
Plenums & Air Ducts	14
Return Air Connections	14
Upflow Furnaces	14
Downflow Furnaces	15
Supply Air Connections	15
Acoustical Treatments	15
FURNACE INSTALLATION	15
General Requirements	15
Upflow Furnaces	15
Downflow Furnaces	16
Installation on a concrete slab	16
Inducer & Venting Options	16
Inducer Assembly Rotation	17
Pressure Switch Tubing	17
Accessories	17
Finish Flange	17
Rubber Grommets	17
PVC Components	18
Typical Orientation	18
Alternate Orientation	18
Condensate Drain Lines	19
Bottom Panel Removal	19
Alternate Bottom Panel Removal	19
GAS SUPPLY & PIPING	20
Leak Check	20
High Altitude Application (Natural Gas Only)	20
Converting from Natural Gas to LP / Propane	22
ELECTRICAL WIRING	23
Line Voltage Wiring	23
Grounding	23
Thermostat / Low Voltage Connections	23
Single Stage AC & Single Stage Thermostat	24
Single Stage AC & Two Stage Thermostat	24
Two-Stage AC & Two-Stage Thermostat	24
Autostaging for Single Stage Thermostats	25
Autostaging for Two-Stage Thermostats	25
Blower Speed Configuration	25
Fixed Speed Blower Applications	25
Variable Speed Blower Applications	25
Dehumidification Options	25
Heat Anticipator	26
START-UP & ADJUSTMENTS	26
Pre-Start Check List	26
Start-up Procedures	26
Verifying & Adjusting Input Rate	26
Verifying & Adjusting Temperature Rise	27
Verifying Burner Operation	27
OPERATING SEQUENCE	28
Heating Cycle	28
Cooling Cycle	28
Fan Mode	28
MAINTENANCE	28
FIGURES & TABLES	30
Figure 26. *TE & *TN Cabinet Dimensions	30
Airflow Data	31
Table 6. *TE / *TN Heating / Cooling Airflows (CFM) & Temperature Rises (°F)	31
Table 7. *TE / *TN Nominal Heating Airflows (CFM) & Temperature Rises (° F) for Variable Speed Furnaces	33
Table 8. *TE / *TN Nominal Cooling / Heat Pump Airflows (CFM) for Variable Speed Furnaces	34
Gas Information	35
Table 9. Gas Flow Rates	35
Table 10. Gas Pipe Capacities	35
Table 11. High Altitude Deration - Propane Gas	36
Table 12. Natural Gas Heating Values	36
Table 13. High Altitude Deration - Natural Gas with HIGH Heating Value	37
Table 14. High Altitude Deration - Natural Gas with LOW Heating Value	37
Electrical Information	38
Figure 27. Two-Stage Fixed Speed Motor Control Board	38
Figure 29. Two-Stage Furnace Control Board	38
Figure 28. Two-Stage Variable Speed Motor Control Board	38
Figure 30. Wiring Diagram for Two-Stage, Fixed Speed Upflow Furnaces	39
Figure 31. Wiring Diagram for Two-Stage, Fixed Speed Downflow Furnaces	40
Figure 32. Wiring Diagram for Two-Stage, Variable Speed Upflow Furnaces	41
Figure 33. Wiring Diagram for Two-Stage, Variable Speed Downflow Furnaces	42
Venting Information	43
Table 15. Vent Termination Clearances	43
Figure 34. Horizontal & Vertical Venting (B, C, & D Width Cabinets)	44
Figure 35. Upflow Venting Options (B, C, & D Width Cabinets)	45
Figure 36. Downflow Options	46
TROUBLESHOOTING	47
Table 16. Furnace Control Board Fault Conditions	47
Table 17. Motor Control Board Fault Conditions	47
FURNACE COMPONENTS	47
Figure 37. Component Locations	48
INSTALLATION CHECK LIST	52

IMPORTANT SAFETY INFORMATION

INSTALLER: Please read all instructions before servicing this equipment. Pay attention to all safety warnings and any other special notes highlighted in the manual. Safety markings are used frequently throughout this manual to designate a degree or level of seriousness and should not be ignored.

WARNING - indicates a potentially hazardous situation that if not avoided, could result in personal injury or death.

CAUTION - indicates a potentially hazardous situation that if not avoided, may result in minor or moderate injury or property damage.

WARNING:

The safety information listed in this manual must be followed during the installation, service, and operation of this unit. Unqualified individuals should not attempt to interpret these instructions or install this equipment. Failure to follow safety recommendations could result in possible damage to the equipment, serious personal injury or death.

WARNING:

Unless otherwise noted in these instructions, only factory authorized kits or accessories may be used with or when modifying this product.

WARNING:

Improper installation, service, adjustment, or maintenance may cause explosion, fire, electrical shock or other hazardous conditions which may result in personal injury or property damage. Unless otherwise noted in these instructions, only factory authorized kits or accessories may be used with this product.

WARNING:

Do not install this furnace if any part has been submerged under water. A flood damaged furnace is extremely dangerous. Attempts to use the furnace may result in fire or explosion. A qualified service agency should be contacted to inspect the furnace and to replace any electrical or control system parts that have been wet or under water.

- To minimize equipment failure or personal injury, it is essential that only qualified individuals install, service, or maintain this equipment. If you do not possess mechanical skills or tools, call your local dealer for assistance.
- Follow all precautions in the literature, on tags, and on labels provided with the equipment. Read and thoroughly understand the instructions provided with the equipment prior to performing the installation and operational checkout of the equipment.
- Use caution when handling this appliance or removing components. Personal injury can occur from sharp metal edges present in all sheet metal constructed equipment.
- Do not store any of the following on, or in contact with, the unit: Rags, brooms, vacuum cleaners, or other cleaning tools, spray or aerosol cans, soap powders, bleaches, waxes, cleaning compounds, plastics or plastic containers, paper bags or other paper products, gasoline, kerosene, cigarette lighter fluid, dry cleaning fluids, paint thinners, or other volatile fluids.
- The installer should become familiar with the units wiring diagram before making any electrical connections to the unit. See [Figure 30 \(page 39\)](#), [Figure 31 \(page 40\)](#), [Figure 32 \(page 41\)](#), & [Figure 33 \(page 42\)](#) or the unit wiring label.
- **Always reinstall the doors on the furnace after servicing. Do not operate the furnace without all doors and covers in place.**

REQUIREMENTS & CODES

WARNING:

The safety information listed below must be followed during the installation, service, and operation of this furnace. Failure to follow safety recommendations could result in possible damage to the equipment, serious personal injury or death.

- This furnace must be installed in accordance with these instructions, all applicable local building codes and the current revision of the National Fuel Gas Code (NFPA54/ANSI Z223.1) or the Natural Gas and Propane Installation Code, CAN/CGA B149.1.
 - Use only with type of gas approved for this furnace. Refer to the furnace rating plate.
 - Install this furnace only in a location and position as specified on [page 6](#).
 - Provide adequate combustion and ventilation air to the furnace space as specified on [page 7](#), [page 8](#), [page 9](#), & [page 10](#).
 - Provide adequate clearances around the vent air intake terminal as specified in [Figure 7 \(page 12\)](#), [Figure 8 \(page 12\)](#), [Figure 9 \(page 12\)](#), & [Figure 10 \(page 12\)](#).
 - Combustion products must be discharged outdoors. Connect this furnace to an approved vent system only, as specified on [page 10](#), [page 11](#), [page 12](#), & [page 13](#).
 - Never test for gas leaks with an open flame. Use a commercially available soap solution to check all connections. See [page 20](#).
 - This furnace is designed to operate with a maximum external pressure rise of 0.5 inches of water column. Consult [Table 6 \(page 31\)](#), [Table 7 \(page 33\)](#), & [Table 8 \(page 34\)](#), and the rating plate for the proper circulating air flow and temperature rise. It is important that the duct system be designed to provide the correct flow rates and external pressure rise. An improperly designed duct system can result in nuisance shutdowns, and comfort or noise issues.
 - When supply ducts carry air circulated by the furnace to areas outside the space containing the furnace, the return air shall also be handled by duct(s) sealed to the furnace casing and terminating in the conditioned space. See [page 14](#).
 - A gas-fired furnace for installation in a residential garage must be installed as specified on [page 5](#).
 - This furnace may not be used for temporary heating of buildings or structures under construction. See the disclaimer listed on [page 6](#).
 - This furnace is not approved for installation in mobile homes. Installing this furnace in a mobile home could cause fire, property damage, and/or personal injury.
- The Commonwealth of Massachusetts requires compliance with regulation 248 CMR 4.00 and 5.00 for installation of through-the-wall vented gas appliances as follows:
 1. For direct-vent appliances, mechanical-vent heating appliances or domestic hot water equipment, where the bottom of the vent terminal and the air intake is installed below four feet above grade the following requirements must be satisfied:
 - a.) A carbon monoxide (CO) detector and alarm shall be placed on each floor level where there are bedrooms. The detector shall comply with NFPA 720 (2005 Edition) and be mounted in the living area outside the bedroom(s).
 - b.) A (CO) detector shall be located in the room that houses the appliance or equipment and shall:
 - Be powered by the same electrical circuit as the appliance or equipment. Only one service switch shall power the appliance and the (CO) detector;
 - Have battery back-up power;
 - Meet ANSI/UL 2034 Standards and comply with NFPA 720 (2005 Edition); and Approved and listed by a Nationally Recognized Testing Laboratory as recognized under 527 CMR.
 - c.) A Product-approved vent terminal must be used, and if applicable, a product-approved air intake must be used. Installation shall be in strict compliance with the manufacturer's instructions. A copy of the installation instructions shall remain with the appliance or equipment at the completion of the installation.
 - d.) A metal or plastic identification plate shall be mounted at the exterior of the building, four feet directly above the location of vent terminal. The plate shall be of sufficient size, easily read from a distance of eight feet away, and read "Gas Vent Directly Below".
 2. For direct-vent appliances, mechanical-vent heating appliances or domestic hot water equipment where the bottom of the vent terminal and the air intake is installed above four feet above grade the following requirements must be satisfied:
 - a.) A (CO) detector and alarm shall be placed on each floor level where there are bedrooms. The detector shall comply with NFPA 720 (2005 Edition) and be mounted in the living area outside the bedroom(s).
 - b.) The (CO) detector shall:
 - Be located in the room that houses the appliance or equipment;
 - Be hard-wired or battery powered or both.
 - Shall comply with NFPA 720 (2005 Edition).
 - c.) A product-approved vent terminal must be used, and if applicable, a product-approved air intake must be used. Installation shall be in strict compliance with the manufacturer's instructions. A copy of the installation instructions shall remain with the appliance or equipment at the completion of the installation.

The information listed below is for reference purposes only and does not necessarily have jurisdiction over local or state codes. Always consult with local authorities before installing any gas appliance.

Combustion & Ventilation Air

- US: National Fuel Gas Code (NFGC), Air for Combustion and Ventilation
- CANADA: Natural Gas and Propane Installation Codes (NSCNGPIC), Venting Systems and Air Supply for Appliances

Duct Systems

- US and CANADA: Air Conditioning Contractors Association (ACCA) Manual D, Sheet Metal and Air Conditioning Contractors National Association (SMACNA), or American Society of Heating, Refrigeration, and Air Conditioning Engineers (ASHRAE) Fundamentals Handbook

Electrical Connections

- US: National Electrical Code (NEC) ANSI/NFPA 70
- CANADA: Canadian Electrical Code CSA C22.1

Gas Piping & Gas Pipe Pressure Testing

- US: NFGC and National Plumbing Codes
- CANADA: NSCNGPIC

General Installation

- US: Current edition of the NFGC and the NFPA 90B. For copies, contact the National Fire Protection Association Inc., Batterymarch Park, Quincy, MA 02269; or American Gas Association, 400 N. Capitol, N.W., Washington DC 20001 or www.NFPA.org
- CANADA: NSCNGPIC. For a copy, contact Standard Sales, CSA International, 178 Rexdale Boulevard, Etobicoke (Toronto), Ontario, M9W 1R3 Canada

Safety

- US: (NFGC) NFPA 54–1999/ANSI Z223.1 and the Installation Standards, Warm Air Heating and Air Conditioning Systems ANSI/NFPA 90B.
- CANADA: CAN/CGA-B149.1 and .2–M00 National Standard of Canada. (NSCNGPIC)

Combustion Air Quality

CAUTION:

Combustion air must not be drawn from a corrosive atmosphere.

To maximize heat exchanger life, the combustion air must be free of chemicals that can form corrosive acidic compounds in the combustion gases. The recommended source of combustion air is to use outdoor air. However, the use of indoor air in most applications is acceptable except as listed:

- If the furnace is installed in a confined space, it is required that the necessary combustion air come from the outdoors by way of attic, crawl space, air duct, or direct opening. For Installations in confined spaces, see [page 8](#) for combustion air requirements.

- Installations in these locations may require outdoor air for combustion, due to chemical exposures:

- Commercial buildings
- Buildings with indoor pools
- Furnaces installed in laundry rooms
- Furnaces installed in hobby or craft rooms
- Furnaces installed near chemical storage areas

- Exposure to the following substances in the combustion air supply may require outdoor air for combustion:

- Permanent wave solutions
- Chlorinated waxes and cleaners
- Chlorine based swimming pool chemicals
- Water softening chemicals
- De-icing salts or chemicals
- Carbon Tetrachloride
- Halogen type refrigerants
- Cleaning solvents (perchloroethylene)
- Printing inks, paint removers, varnishes, etc.
- Hydrochloric Acid
- Cements and glues
- Antistatic fabric softeners
- Masonry acid washing materials

Heating Load

This furnace should be sized to provide the design heating load requirement. Heating load estimates can be made using approved methods available from Air Conditioning Contractors of America (Manual J); American Society of Heating, Refrigerating, and Air Conditioning Engineers; or other approved engineering methods. **Excessive oversizing of the furnace could cause the furnace and/or vent to fail prematurely.** The ductwork should be appropriately sized to the capacity of the furnace to ensure its proper airflow rating.

For installations above 2,000 ft., the furnace should have a sea level input rating large enough that it will meet the heating load after deration for altitude.

Two-stage furnaces operate at two input rates to better meet heating loads. The lower heating rate (low fire) is 65% of the high fire rate. The greatest degree of control over the furnace can be gained by controlling it with a two stage thermostat. This allows the thermostat to directly request either high or low fire. However, it is possible to operate the furnace using a single stage thermostat. In this application the furnace control can be set to increase from low to high fire, based on a timer. See Autostaging for Single Stage Thermostats ([page 25](#)).

Furnaces are properly sized to meet the expected maximum heating load. But this load occurs infrequently. So, during more moderate weather, the furnace is likely to use low fire a considerable part of the time. This is normal and has the benefit of quieter and more efficient operation.

Installation in a Garage

This Gas-fired furnace may be installed in a residential garage with the provision that the burners and igniter are located no less than 18 inches (457mm) above the floor. The furnace must be located or protected to prevent physical damage by vehicles.

⚠ WARNING:

Do not place combustible material on or against the furnace cabinet or within 6 inches of the vent pipe. Do not place combustible materials, including gasoline or any other flammable vapors and liquids, in the vicinity of the furnace.

Clearances to Combustible Materials

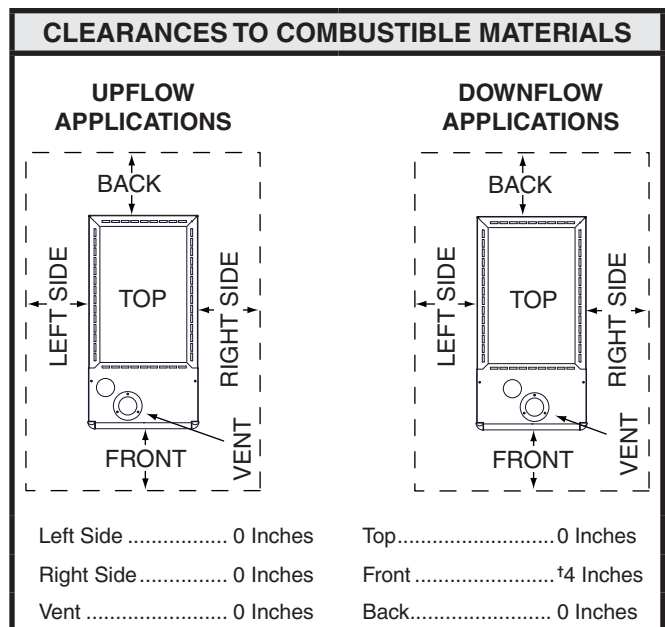
This furnace is Design Certified in the U.S. and Canada by CSA International for the minimum clearances to combustible materials. **NOTE:** The furnace is listed for installation on combustible or non-combustible flooring. However, wood is the only combustible flooring allowed for installation. Downflow models must use the appropriate subbase kit when installing over a wood floor. To obtain model number and specific clearance information, refer to the furnace rating plate, located inside of the furnace cabinet.

Access for positioning and servicing the unit must be considered when locating unit. The need to provide clearance for access to panels or doors may require clearance distances over and above the requirements. **Allow 24 inches minimum clearance from the front of the unit. However 36 inches is strongly recommended.** See [Figure 1](#) for minimum clearance requirements.

Operation of Furnace During Construction

⚠ CAUTION:

Operating gas furnaces in construction environments can cause a variety of problems within the furnace and may significantly reduce the life or the performance of the furnace. Therefore operating the furnace during construction is not permitted and will void the warranty.



†Allow 24 in. minimum clearance for servicing. Recommended clearance is 36 in.

Figure 1. Minimum Clearances to Combustible Materials

COMBUSTION AIR & VENTING REQUIREMENTS

WARNING:

CARBON MONOXIDE POISONING HAZARD
Failure to follow the steps outlined below for each appliance connected to the venting system being placed into operation could result in carbon monoxide poisoning or death.

The following steps shall be followed with each individual appliance connected to the venting system being placed in operation, while all other appliances connected to the venting system are not in operation:

1. Seal any unused openings in the venting system.
2. Inspect the venting system for proper size and horizontal pitch, as required in the National Fuel Gas Code, ANSI Z223.1/NFPA 54 or the CSA B149.1, Natural Gas and Propane Installation Codes and these instructions. Determine that there is no blockage or restriction, leakage, corrosion and other deficiencies which could cause an unsafe condition.
3. As far as practical, close all building doors and windows and all doors between the space in which the appliance(s) connected to the venting system are located and other spaces of the building.
4. Close fireplace dampers.
5. Turn on clothes dryers and any appliance not connected to the venting system. Turn on any exhaust fans, such as range hoods and bathroom exhausts, so they are operating at maximum speed. Do not operate a summer exhaust fan.
6. Follow the lighting instructions. Place the appliance being inspected into operation. Adjust the thermostat so appliance is operating continuously.
7. Test for spillage from draft hood equipped appliances at the draft hood relief opening after 5 minutes of main burner operation. Use the flame of a match or candle.
8. If improper venting is observed during any of the above tests, the venting system must be corrected in accordance with the National Fuel Gas Code, ANSI Z223.1/NFPA 54 and/or CSA B149.1, Natural Gas and Propane Installation Codes.
9. After it has been determined that each appliance connected to the venting system properly vents when tested as outlined above, return doors, windows, exhaust fans, fireplace dampers and any other gas-fired burning appliance to their previous conditions of use.

IMPORTANT INFORMATION:

- This furnace must be vented in compliance with the current revision of the National Fuel Gas Code (ANSI-Z223.1/NFPA54). Instructions for determining the adequacy of an installation can be found in the current revision of the NFGC (ANSI Z223.1/NFPA54). Consult local codes for special requirements. These requirements are for US installations as found in the NFGC.
- Furnace installation using methods other than those described in the following sections must comply with the National Fuel Gas Code (NFGC) and all applicable local codes.
- Requirements in Canada (B149.1) are structured differently. In Canada, venting shall conform to the requirements of the current (CAN/CGA B149.1 or .2) installation codes. Consult local codes for special requirements.
- Provisions must be made during the installation of this furnace that provide an adequate supply of air for combustion. The combustion air from the outside needs to be clear of chemicals that can cause corrosion. The inlet pipe should not be placed near corrosive chemicals such as those listed on [page 5](#).

WARNING:

Upon completion of the furnace installation, carefully inspect the entire flue system both inside and outside the furnace to assure it is properly sealed. Leaks in the flue system can result in serious personal injury or death due to exposure of flue products, including carbon monoxide.

WARNING:

This furnace must not be vented with other appliances, even if that appliance is of the condensing type. Common venting can result in severe corrosion of other appliances or their venting and can allow combustion gases to escape through such appliances or vents. Do not vent the furnace to a fireplace chimney or building chase.

This condensing furnace is certified for installation either as a Direct Vent (2-pipe) or Conventional (1-pipe) appliance. Direct Vent appliances draw combustion air from the outdoors and vent combustion products back outside. Installation with air taken from around the furnace is often referred to as Conventional installation - i.e. only the vent (exhaust) pipe is provided.

Another important consideration when selecting one or two pipe installation is the quality of the Indoor air which can sometimes be contaminated with various household chemicals. These chemicals can cause severe corrosion in the furnace combustion system. A 2-pipe installation

has the additional advantage that it isolates the system from the effects of negative pressure in the house.

⚠ CAUTION:

Exhaust fans, clothes dryers, fireplaces and other appliances that force air from the house to the outdoors can create a negative pressure inside the house, resulting in improper furnace operation or unsafe conditions such as flame roll out. It is imperative that sufficient air exchange with the outdoors is provided to prevent depressurization. Additional information about testing negative pressure problems can be found in the National Fuel Gas Code.

Air openings on top of the furnace and openings in closet doors or walls must never be restricted. If the furnace is operated without adequate air for combustion, the flame roll-out switch will open, turning off the gas supply to the burners.

IMPORTANT NOTE

This safety device is a manually reset switch. DO NOT install jumper wires across these switches to defeat their function or reset a switch without identifying and correcting the fault condition. If a switch must be replaced, use only the correct sized part specified in the Replacement Parts List provided online.

Direct Vent Systems

Direct vent appliances draw combustion air from the outdoors and vent combustion products back outside, isolating the entire system from the indoor space. It is important to make sure that the whole system is sealed and clearances to combustibles are maintained regardless of the installation being in a confined or unconfined space.

Conventional Vent Systems - Confined Spaces

A confined space is an area with volume less than 50 cubic feet per 1,000 Btuh of the combined input rates of all appliances drawing combustion air from that space. Furnace closets, small equipment rooms and garages are confined spaces. Furnaces installed in a confined space which supply heated air to areas outside the space must draw return air from outside the space and must have the return air ducts tightly sealed to the furnace. Ducts must have cross-sectional area at least as large as the free area of their respective openings to the furnace space. Attics or crawl spaces must connect freely with the outdoors if they are the source of air for combustion and ventilation.

The required sizing of these openings is determined by whether inside or outside air is used to support combustion, the method by which the air is brought to the space, and by the total input rate of all appliances in the space. In all cases, the minimum dimension of any combustion air opening is 3 inches.

Air From Inside

If combustion air is taken from the heated space, the two openings must each have a free area of at least one square inch per 1,000 Btuh of total input of all appliances in the confined space, but **not less than 100 square inches** of free area. See [Example](#) and [Figure 2](#).

EXAMPLE

If the combined input rate of all appliances is less than or equal to 100,000 Btuh, each opening must have a free area of at least 100 in². If the combined input rate of all appliances is 120,000 Btuh, each opening must have a free area of at least 120 in².

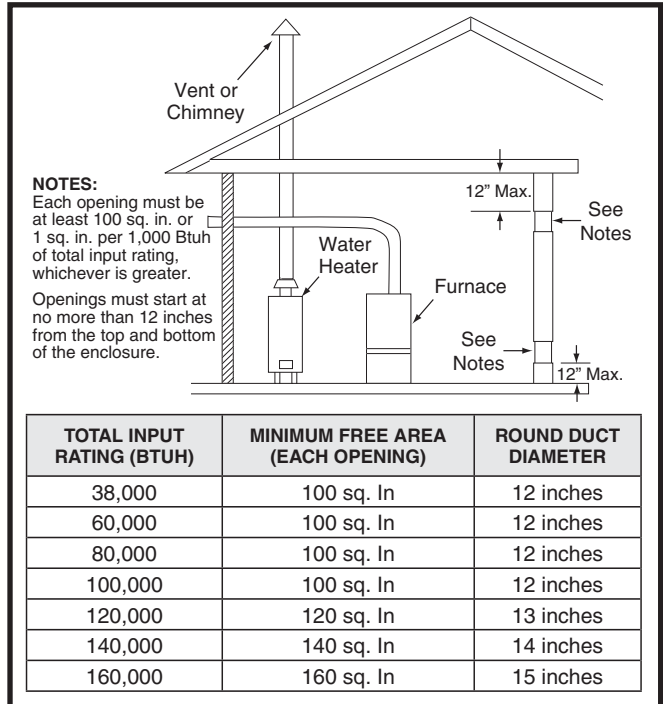


Figure 2. Combustion Air Drawn from Inside

Outdoor Air from a Crawl Space or Vented Attic

When the openings can freely exchange air with the outdoors, each opening shall have a minimum free area of 1 square inch per 4,000 Btuh of total appliance input. The openings shall exchange directly, or by ducts, with the outdoor spaces (crawl or attic) that freely exchange with the outdoors. See [Figure 3 \(page 9\)](#).

Outdoor Air Using Vertical Ducts

If combustion air is taken from outdoors through vertical ducts, the openings and ducts must have a minimum free area of one square inch per 4,000 Btuh of total appliance input. See [Figure 4 \(page 9\)](#).

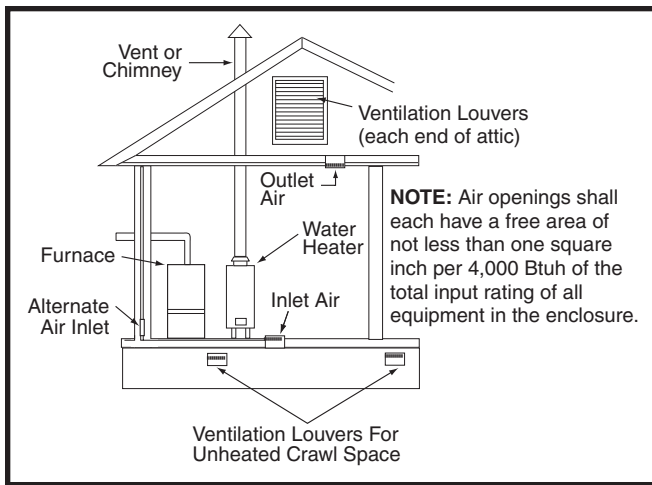


Figure 3. Combustion Air Drawn from a Crawl Space or Vented Attic

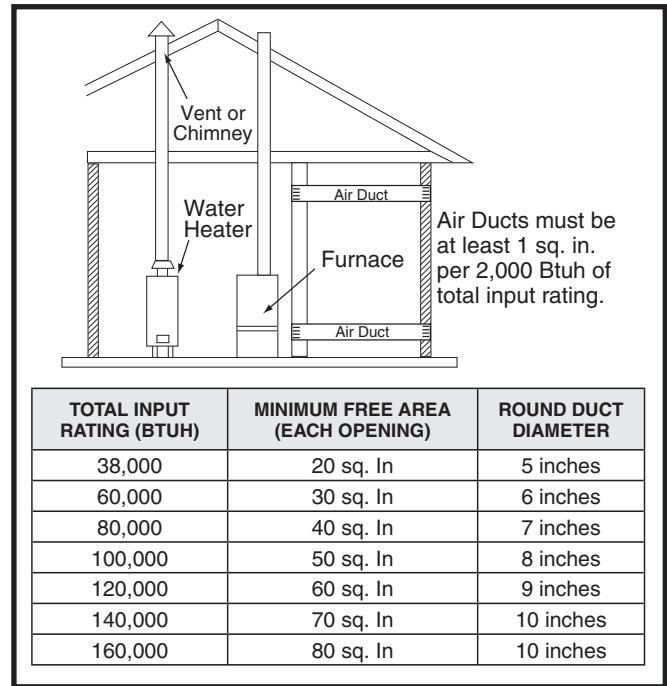


Figure 5. Combustion Air Drawn from Outside Through Horizontal Ducts

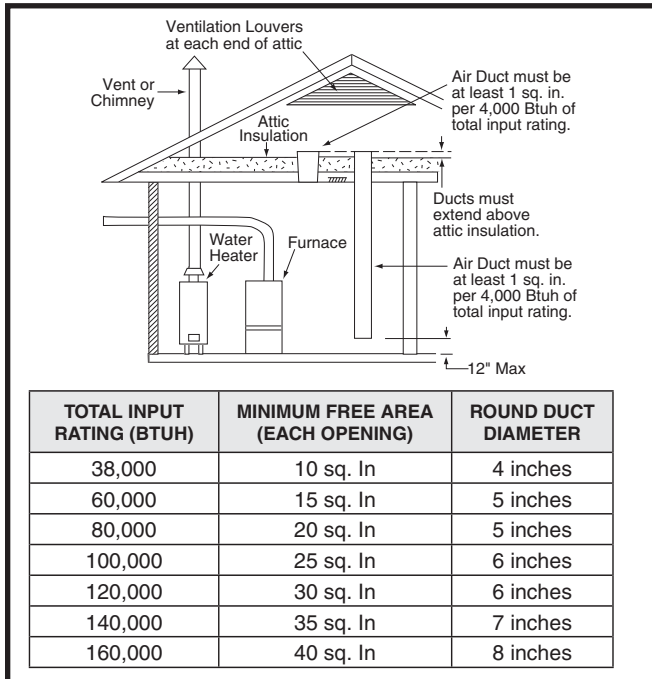


Figure 4. Combustion Air Drawn from Outside Through Vertical Ducts

Outdoor Air Using Horizontal Ducts

If combustion air is taken from outdoors through horizontal ducts, the openings and ducts must have a minimum free area of one square inch per 2,000 Btuh of total appliance input. Ducts must have cross-sectional area at least as large as the free area of their respective openings to the furnace space. See [Figure 5](#).

Air Directly Through an Exterior Wall

If combustion air is provided directly through an exterior wall, the two openings must each have free area of at least one square inch per 4,000 Btuh of total appliance input. See [Figure 6](#).

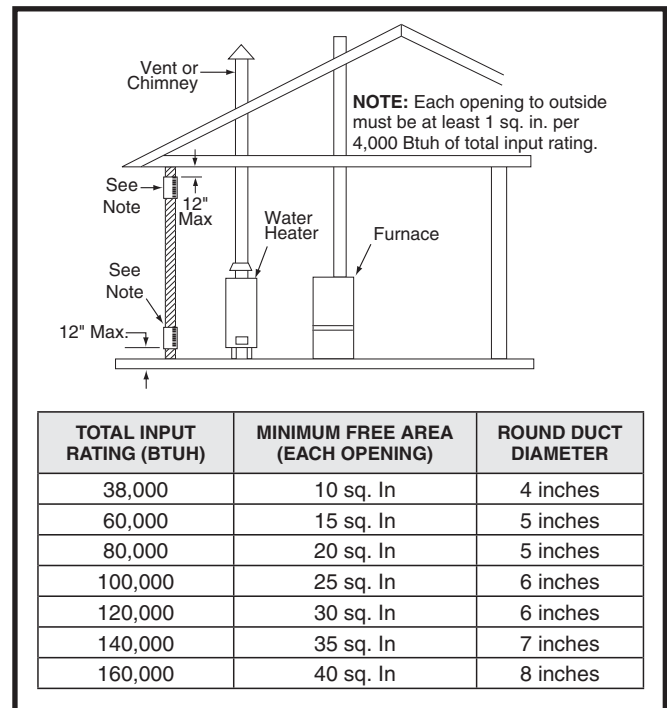


Figure 6. Combustion Air Drawn from Outside Through an Exterior Wall

Alternate Method of Providing Air from Outside:

If acceptable under local Codes, it is permitted to provide outside air using one opening (See NFGC). Generally, confined spaces must have 2 openings in the space for combustion air. One opening must be within 12 inches of the ceiling, and the other must be within 12 inches of the floor. However, an alternative method recently adopted by the NFGC uses one opening within 12 inches of the top of the space. This method may be used if it is acceptable to the local codes.

THE FOLLOWING CONDITIONS MUST BE MET:

1. The opening must start within 12" of the top of the structure and connect with the out of doors through vertical or horizontal ducts or be ducted to a crawl or attic space that connects with the out of doors.
2. The opening must have a minimum free area of 1 in². per 3,000 Btu per hour of the total input rating of all equipment located in the enclosure.
3. The free area must not be less than the sum of all the areas of the vent connectors in the enclosure.

Conventional Vent Systems - Unconfined Spaces

An unconfined space is an area including all rooms not separated by doors with a volume greater than 50 cubic feet per 1,000 Btuh of the combined input rates of all appliances which draw combustion air from that space.

In general, a furnace installed in an unconfined space will not require outside air for combustion. However, in homes built for energy efficiency (low air change rates), it may be necessary to provide outside air to ensure adequate

combustion and venting, even though the furnace is located in an unconfined space. See [Example](#) below.

EXAMPLE

A space with a water heater rated at 45,000 Btuh input and a furnace rated at 75,000 Btuh requires a volume of 6,000 cubic feet [$50 \times (45 + 75) = 6,000$] to be considered unconfined. If the space has an 8 foot ceiling, the floor area of the space must be 750 sq. ft. ($6,000 / 8 = 750$).

Category IV Venting

WARNING:

Upon completion of the furnace installation, carefully inspect the entire flue system both inside and outside the furnace to assure it is properly sealed. Leaks in the flue system can result in serious personal injury or death due to exposure of flue products, including carbon monoxide.

This furnace is classified as a "Category IV" appliance, which requires special venting materials and installation procedures. This section specifies installation requirements for Conventional (1-pipe) and Direct Vent (2-pipe) piping.

For 1-pipe installations, install vent piping as described in this section and provide air for combustion and ventilation according to [page 7](#), [page 8](#), [page 9](#), & [page 10](#). The length of vent and combustion air piping for either type of installation are shown in [Table 1](#).

FURNACE MODELS (BTU)	FURNACE INSTALLATION	SINGLE VENT PIPE LENGTH (FT.) WITH 1 LONG RADIUS ELBOW*		DUAL VENT PIPE LENGTH (FT.) WITH 1 LONG RADIUS ELBOW ON EACH PIPE*	
		OUTLET 2" DIAMETER	OUTLET 3" DIAMETER	INLET / OUTLET 2" DIAMETER	INLET / OUTLET 3" DIAMETER
60,000	Upflow	60	90	60	90
	Downflow	60	90	60	90
80,000	Upflow	40	90	40	90
	Downflow	30	90	30	90
100,000	Upflow	30	90	30	90
	Downflow	30	90	25	90
115,000	Upflow	N/A	70	N/A	70
	Downflow	N/A	90	N/A	90

*NOTES:

1. Subtract 2.5 ft. for each additional 2 inch long radius elbow, 5 ft. for each additional 2 inch short radius elbow, 3.5 ft. for each additional 3 inch long radius elbow, and 7 ft. for each additional 3 inch short radius elbow. Subtract 5 ft for each 2" tee and 8 ft for each 3" tee. Two 45 degree elbows are equivalent to one 90 degree elbow.
2. This table applies for elevations from sea level to 2,000 ft. For higher elevations, decrease pipe lengths by 8% per 1,000 ft of altitude.

Table 1. Vent Pipe Lengths

Category IV appliances operate with positive vent pressure and therefore require vent systems which are thoroughly sealed. They also produce liquid condensate, which is slightly acidic and can cause severe corrosion of ordinary venting materials. Furnace operation can be adversely affected by restrictive vent and combustion air piping.

The inducer assembly on this furnace can be rotated to vent the flue products out of the left or right side of the furnace. This increases the flexibility of which direction the vent pipe can exit the furnace.

Vent Pipe Material

Vent and combustion air pipe and fittings must be one of the following materials in the list and must conform to the indicated ANSI/ASTM standards.

MATERIALS	STANDARDS
Schedule 40PVC	D1785
PVC-DWV	D2665
SDR-21 & SDR-26.....	D2241
ABS-DWV	D2661
Schedule 40 ABS	F628
Foam / Cellular Core PVC	F891
*PolyPro® by DuraVent.....	ULC-S636

*When using PolyPro®, all venting and fittings must be from the same manufacturer with no interchanging of other materials. Refer to specific instructions supplied with the PolyPro vent kits

Cement must conform to ASTM Standard D2564 for PVC and Standard D2235 for ABS. PVC primer must meet standard ASTM F656. When joining PVC piping to ABS, use PVC solvent cement. (See procedure specified in ASTM Standard D3138)

In Canada, all plastic vent pipes and fittings including any cement, cleaners, or primers must be certified as a system to ULC S636. However this requirement does not apply to the finish flanges or piping internal to the furnace.

Vent Pipe Length & Diameter

In order for the furnace to operate properly, the combustion air and vent piping must not be excessively restrictive.

- The venting system should be designed to have the minimum number of elbows or turns.
- Transition to the final vent diameter should be done as close to the furnace outlet as practical.
- Always use the same size or a larger pipe for combustion air that is used for the exhaust vent.

Table 1 indicates the maximum allowable pipe length for a furnace of known input rate, when installed with piping of selected diameter and number of elbows. To use the table, the furnace input rate, the centerline length and the number of elbows on each pipe must be known.

When estimating the length of vent runs, consideration must be made to the effect of elbows and other fittings. This is conveniently handled using the idea of “equivalent length”. This means the fittings are assigned a linear length that accounts for the pressure drop they will cause. For example: a 2” diameter, long radius elbow is worth the equivalent of 2.5 feet of linear run. A 90 degree tee is worth 7 ft.

The equivalent lengths of tees and various elbows are listed in Table 1 . Measure the linear length of the vent run and then add in the equivalent length of each fitting. The total length, including the equivalent fitting lengths, must be less than the maximum length specified in Table 1 .

Vent Pipe Installation



Combustion air must not be drawn from a corrosive atmosphere.

This furnace has been certified for installation with zero clearance between vent piping and combustible surfaces. However, it is good practice to allow space for convenience in installation and service.

- In the absence of local codes, the location of any combustion air inlet relative to any vent terminal must be at least 8 inches. This includes installations involving more than one furnace.
- The quality of outdoor air must also be considered. Be sure that the combustion air intake is not located near a source of solvent fumes or other chemicals which can cause corrosion of the furnace combustion system. (See list of substances on page 5).
- Route piping as direct as possible between the furnace and the outdoors. Horizontal piping from inducer to the flue pipe must be sloped 1/4” per foot to ensure condensate flows towards the drain tee or PVC trap. Longer vent runs require larger pipe diameters. Refer to the Inducer & Venting Options section on page 16 for additional information.
- If a Direct Vent (2-pipe) system is used, the combustion air intake and the vent exhaust must be located in the same atmospheric pressure zone. This means both pipes must exit the building through the same portion of exterior wall or roof as shown in Figure 7, Figure 8, Figure 9, & Figure 10.
- Piping must be mechanically supported so that its weight does not bear on the furnace. Pipe supports must be installed a minimum of every 5 feet along the vent run to ensure no displacement after installation. Supports may be at shorter intervals if necessary to ensure that there are no sagging sections that can trap condensate. See Figure 34 (page 44). It is recommended to install couplings along the vent pipe, on either side of the exterior wall. These couplings may be required by local code.
- If breakable connections are required in the combustion air inlet pipe (if present) and exhaust vent piping, then straight neoprene couplings for 2” or 3” piping with hose clamps can be used. These couplings can be ordered through your local furnace distributor. To install a coupling:
 1. Slide the rubber coupling over the end of the pipe that is attached to the furnace and secure it with one of the hose clamps.

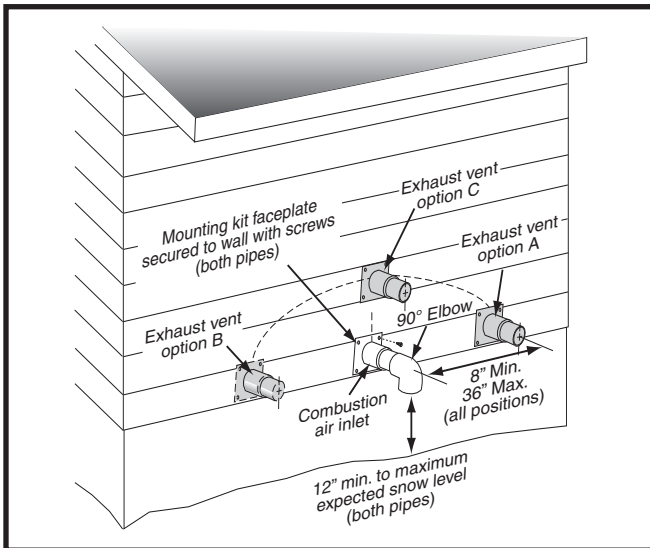


Figure 7. Inlet & Exhaust Pipe Clearances

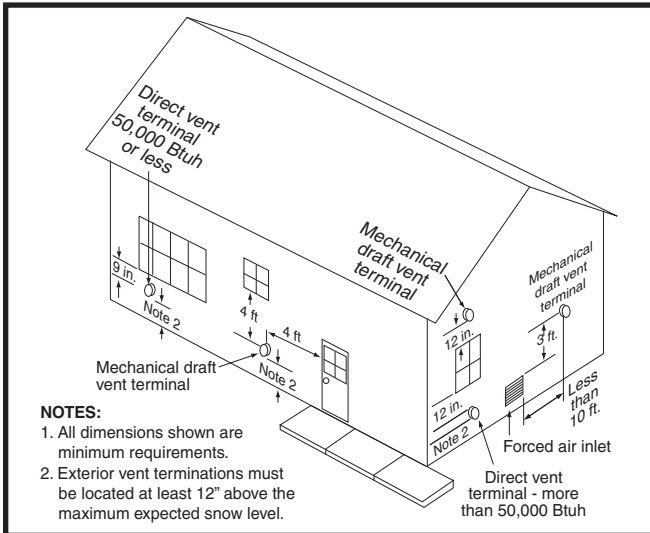


Figure 8. Vent Locations

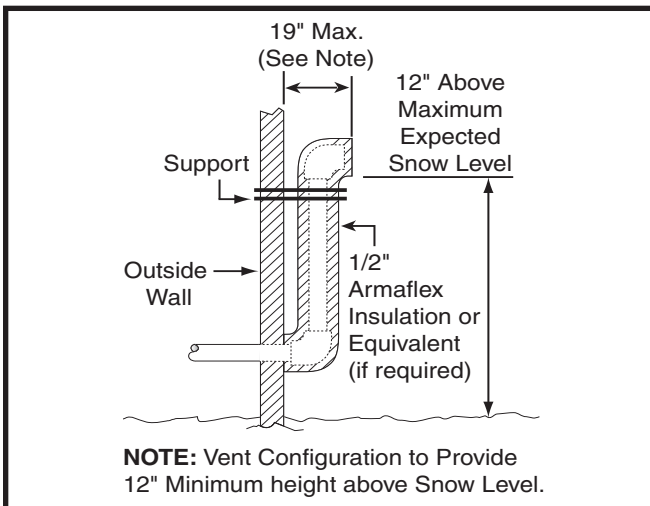


Figure 9. Alternate Horizontal Vent Installation

2. Slide the other end of the rubber coupling onto the other pipe from the vent.
3. Secure the coupling with the second hose clamp, ensuring that the connection is tight and leak free.

Outdoor Terminations - Horizontal Venting

- Vent and combustion air intake terminations shall be installed as depicted in [Figure 7](#) & [Figure 8](#) and in accordance with these instructions:
- Vent termination clearances must be consistent with the NFGC, ANSI 2223.1/NFPA 54 and/or the CSA B149.1, Natural Gas and Propane Installation Code. [Table 15](#) (page 43) lists the necessary distances from the vent termination to windows and building air intakes.
- Vent and combustion air intake terminations must be located to ensure proper furnace operation and conformance to applicable codes. A vent terminal must be located at least 3 feet above any forced air inlet located within 10 feet. This does not apply to the combustion air inlet of a direct vent (two pipe) appliance. In Canada, CSA B149.1, takes precedence over these instructions. See [Table 15](#).
- All minimum clearances must be maintained to protect building materials from degradation by flue gases. See [Figure 7](#).
- For optimal performance, vent the furnace through a wall that experiences the least exposure to winter winds.
- The vent termination shall be located at least 3 ft. horizontally from any electric meter, gas meter, regulator and any relief equipment. These distances apply ONLY to U.S. installations. In Canada, CSA B149.1, takes precedence over these instructions.
- Do not install the vent terminal such that exhaust is directed into window wells, stairwells, under decks or into alcoves or similar recessed areas, and do not terminate above any public walkways.
- If venting horizontally, a side wall vent kit is available according to the pipe diameter size of the installation. For 2 inch pipe use side wall vent kit #904617, and for 3 inch pipe use kit #904347. **Please follow the instructions provided with the kit.**
- Concentric vent termination kits are available for use with these furnaces. For 2 Inch pipe use kit #904952 and for 3 inch pipe use kit # 904953. **Please follow the instructions provided with the kit.**

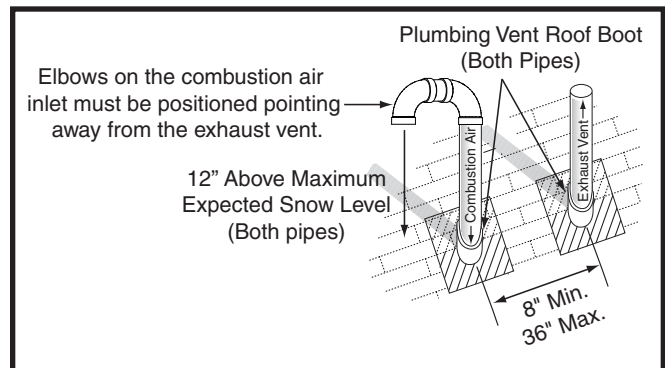


Figure 10. Vertical Vent Termination

- When the vent pipe must exit an exterior wall close to the grade or expected snow level where it is not possible to obtain clearances shown in Figure 7 (page 12), a riser may be provided as shown in Figure 9. Insulation is required to prevent freezing of this section of pipe. See Table 2 (page 13) for vent freezing protection.

Outdoor Terminations - Vertical Venting

Termination spacing requirements from the roof and from each other are shown in Figure 10. The roof penetration must be properly flashed and waterproofed with a plumbing roof boot or equivalent flashing. Vent and combustion air piping may be installed in an existing chimney which is not in use provided that:

- Both the exhaust vent and air intake run the length of the chimney.
- The top of the chimney is sealed and weatherproofed.
- The termination clearances shown in Figure 10 are maintained.
- No other gas fired or fuel-burning equipment is vented through the chimney.

Vent Freezing Protection

CAUTION:

When the vent pipe is exposed to temperatures below freezing (i.e., when it passes through unheated spaces, chimneys, etc.) the pipe must be insulated with 1/2 inch thick sponge rubber insulation, Armaflex-type insulation or equivalent. Insulating pipe is important to avoid condensate icing.

- Table 2 (page 13) lists the maximum length of flue pipe that can travel through an unconditioned space or an exterior space. The total vent length must not exceed the lengths noted in Table 1 (page 10). For Canadian installations, please refer to the Canadian Installation Code (CAN/CGA-B149.1 or 2) and/or local codes.
- For extremely cold climates or for conditions of short furnace cycles (i.e. set back thermostat conditions) the last 18 inches of vent pipe can be reduced. It is acceptable to reduce from 3" to 2-1/2", 3" to 2", or 2" to 1-1/2" if the total vent length is at least 15 feet in length and the vent length is within the parameters specified in Table 1. The restriction should be counted as 3 equivalent feet. Smaller vent pipes are less susceptible to freezing, but must not be excessively restrictive. The length of the 2 inch pipe must not be longer than 18 inches.
- To prevent debris or creatures from entering the combustion system, a protective screen may be installed over the combustion air intake opening. The screens hole size must be large enough to prevent air restriction.

WINTER DESIGN TEMPERATURE	MAXIMUM FLUE PIPE LENGTH (FEET) IN UNCONDITIONED & EXTERIOR SPACES	
	WITHOUT INSULATION	WITH INSULATION*
20	45	70
0	20	70
-20	10	60

*NOTE: Insulation thickness greater than 3/8 inch, based on an R value of 3.5 (ft x F x hr) / (BTU x in.)

Table 2. Vent Protection

Existing Installations

When an existing furnace is removed from a vent system serving other appliances, the existing vent system may not be sized properly to vent the remaining appliances (For example: water heater). An improperly sized venting system can result in the formation of condensate, leakage, or spillage. The existing vent system should be checked to make sure it is in compliance with NFGC and must be brought into compliance before installing the furnace.

NOTE: If replacing an existing furnace, it is possible you will encounter an existing plastic venting system that is subject to a Consumer Product Safety Commission recall. The pipes involved in the recall are High Temperature Plastic Vent (HTPV). **If your venting system contains these pipes DO NOT reuse this venting system!** This recall does not apply to other plastic vent pipes, such as white PVC or CPVC. Check for details on the CPSC website or call their toll-free number (800) 758-3688.

Condensate Disposal

The method for disposing of condensate varies according to local codes. Consult your local code or authority having jurisdiction.

Each of the condensate drain lines must be J-trapped using field supplied parts. After the condensate lines are J-trapped, they may be combined together into a single run to the drain. The drain lines must be routed downward to ensure proper drainage from furnace.

Neutralizer kit P/N 902377 is available for use with this furnace. **Please follow the instructions provided with the kit.**

For Installations where there is limited clearance for the J-Trap (such as an attic where it may be installed between ceiling joists), either side of the J-Trap can be shortened to a minimum of 3 Inches.

CIRCULATING AIR REQUIREMENTS

WARNING:

Do not allow combustion products to enter the circulating air supply. Failure to prevent the circulation of combustion products into the living space can create potentially hazardous conditions including carbon monoxide poisoning that could result in personal injury or death.

All return ductwork must be secured to the furnace with sheet metal screws. For installations in confined spaces, all return ductwork must be adequately sealed. When return air is provided through the bottom of the furnace, the joint between the furnace and the return air plenum must be air tight.

The surface that the furnace is mounted on must provide sound physical support of the furnace with no gaps, cracks or sagging between the furnace and the floor or platform.

Return air and circulating air ductwork must not be connected to any other heat producing device such as a fireplace insert, stove, etc. This may result in fire, explosion, carbon monoxide poisoning, personal injury, or property damage.

Plenums & Air Ducts

- Plenums and air ducts must be installed in accordance with the Standard for the Installation of Air Conditioning and Ventilating Systems (NFPA No. 90A) or the Standard for the Installation of Warm Air Heating and Air Conditioning Systems (NFPA No. 90B).
- [Table 6 \(page 31\)](#), [Table 7 \(page 33\)](#), & [Table 8 \(page 34\)](#) contain the maximum airflow and temperature rise data for fixed and variable speed motors. If the maximum airflow is 1,600 CFM or more, it is required that two openings be used for return air on upflow furnaces. Downflow furnaces can only use one return opening.
- It is recommended that the outlet duct contain a removable access panel. The opening should be accessible when the furnace is installed in service and shall be of a size that smoke or reflected light may be observed inside the casing to indicate the presence of leaks in the heat exchanger. The cover for the opening shall be attached in such a way as to prevent leaks.
- If outside air is used as return air to the furnace for ventilation or to improve indoor air quality, the system must be designed so that the return air is not less than 60° F (15° C) during operation. If a combination of indoor and outdoor air is used, the ducts and damper system must be designed so that the return air supply to the furnace is equal to the return air supply under normal, indoor return air applications.
- When a cooling system is installed which uses the furnace blower to provide airflow over the indoor coil,

the coil must be installed downstream (on the outlet side) of the furnace or in parallel with the furnace.

- If a cooling system is installed in parallel with the furnace, a damper must be installed to prevent chilled air from entering the furnace and condensing on the heat exchanger. If a manually operated damper is installed, it must be designed so that operation of the furnace is prevented when the damper is in the cooling position and operation of the cooling system is prevented when the damper is in the heating position.
- It is good practice to seal all connections and joints with industrial grade sealing tape or liquid sealant. Requirements for sealing ductwork vary from region to region. Consult with local codes for requirements specific to your area.

Return Air Connections

- In applications where the supply ducts carry heated air to areas outside the space where the furnace is installed, the return air must be delivered to the furnace by duct(s) secured to the furnace casing, running full size and without interruption. **Do not use the back of the furnace for return air.**
- Position the furnace with the return air ductwork ensuring even alignment of furnace (or coil casing) air opening and return air duct. **NOTE:** The ductwork must have an opening equal to that of the return air opening of the furnace (or coil casing). See [Figure 26 \(page 30\)](#) for return air opening size.

Upflow Furnaces

- The return air ductwork may be connected to the left side, right side, or bottom of the furnace. **NOTE:** If using the left or right side of the furnace for return air, the bottom panel ([Figure 26](#)) must not be removed from the bottom of the furnace.
-

WARNING:

The bottom panel of the furnace must be in place when the furnace is installed with side return air ducts. Removal of all or part of the base could cause circulation of combustible products into the living space and create potentially hazardous conditions, including carbon monoxide poisoning that could result in personal injury or death.

- **Side Return Installations:** To attach the return air duct to the left or right side of the furnace, punch out the 4 knockouts from the side of the furnace ([Figure 26 \(page 30\)](#)). Using sharp metal cutters, cut an opening between all 4 knockouts to expose the blower assembly. Position the return air duct over the opening and secure to the side with sheet metal screws.
- **Bottom Return Installations:** If using the bottom of the furnace for return air, the bottom panel ([Figure 26](#)) must be removed from the bottom of the furnace. See [page 19](#) for removal instructions. Position the furnace over the return air duct and secure together with sheet metal screws. Make sure the screws penetrate the duct and furnace casing.

Downflow Furnaces

- To attach the return air duct to the downflow furnace, bend the flanges on the furnace upward 90° with wide duct pliers. See [Figure 26 \(page 30\)](#) for furnace flange locations. **NOTE:** If system installation includes AC coil casing, bend the flanges on the coil casing upward 90° before attaching the return air duct.
- Secure the return air ductwork to the furnace or coil casing (if installed) with sheet metal screws. Make sure the screws penetrate the sheet metal casing and flanges.

Supply Air Connections

- The supply air must be delivered to the heated space by duct(s) secured to the furnace or coil box casing, running full size and without interruption.
- To attach the supply air duct to upflow & horizontal furnaces, bend the flanges on the furnace upward 90° with wide duct pliers. See [Figure 26 \(page 30\)](#) for furnace flange locations. **NOTE:** If system installation includes AC coil casing, bend the flanges on the coil casing upward 90° before attaching the supply air duct.
- Position the supply air ductwork onto the furnace ensuring even alignment of furnace air opening and supply air duct. **NOTE:** The ductwork must have an opening equal to that of the supply air opening of the furnace. See [Figure 28](#) for supply air opening size.

Acoustical Treatments

Damping ducts, flexible vibration isolators, or pleated media-style filters on the return air inlet of the furnace may be used to reduce the transmission of equipment noise emanating from the furnace. These treatments can produce a quieter installation, particularly in the heated space. However, they can increase the pressure drop in the duct system. Care must be taken to maintain the proper maximum pressure rise across the furnace, temperature rise and flow rate. This may mean increasing the duct size and/or reducing the blower speed. These treatments must be constructed and installed in accordance with NFPA and SMACNA construction standards. Consult with local codes for special requirements. For best sound performance, be sure to install all the needed gaskets and grommets around penetrations into the furnace, such as for electrical wiring

FURNACE INSTALLATION

*TE series gas furnaces offer a wide range of installation options, including installation in the upflow or horizontal positions with either right, left, or upflow return air. The *TN series gas furnaces may only be installed as a down flow application.

General Requirements

- The furnace must be leveled at installation and attached to a properly installed duct system. See [Figure 1 \(page 6\)](#) for the required clearances needed to move the furnace to its installation point (hallways, doorways, stairs, etc).
- The furnace must be installed so that all electrical components are protected from water.
- The furnace must be installed upstream from a refrigeration system. (If applicable)
- The cabinet plug must always be used to close the hole in the side of the furnace when rotating the inducer.
- The furnace requires special venting materials and installation procedures. See [page 7](#), [page 8](#), [page 9](#), & [page 10](#) for venting guidelines and specifications.

Upflow Furnaces

WARNING:

The furnace must not be installed directly on carpeting, tile, or any combustible material other than wood flooring.

*TE series gas furnaces are shipped with the bottom panel installed as shown in [Figure 26 \(page 30\)](#). If the furnace is installed with side return air, the bottom panel must not be removed. If the furnace is installed with bottom return air, the bottom panel must be removed. See [Bottom Panel Removal on page 19](#).

Downflow Furnaces

WARNING:

The furnace must not be installed directly on carpeting, tile, or any combustible material other than wood flooring.

WARNING:

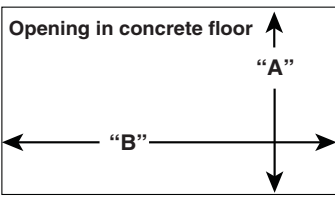
Failure to install the downflow sub-base kit may result in fire, property damage or personal injury.

To install the furnace on combustible flooring, a special sub-base is required. Downflow sub-base kits are factory supplied accessories and are listed according to the cabinet letter of the furnace. For 'B', 'C', and 'D' size cabinets use Kit #904911. **Please follow the instructions provided with the kit.**

A downflow sub-base kit is not necessary if the furnace is installed on a factory or site-built cased air conditioning coil. However, the plenum attached to the coil casing must be installed so that its surfaces are at least 1" from combustible construction.

Installation on a concrete slab

1. Create an opening in the floor according to the dimensions in [Table 3](#).
2. Position the plenum and the furnace as shown in [Figure 11](#).



CABINET SIZE	DIM. "A"	DIM. "B"
B	16 5/8	19 1/4
C	20 1/8	19 1/4
D	23 5/8	19 1/4

NOTE: Dimensions shown in Inches.

Table 3. Cutout Dimensions

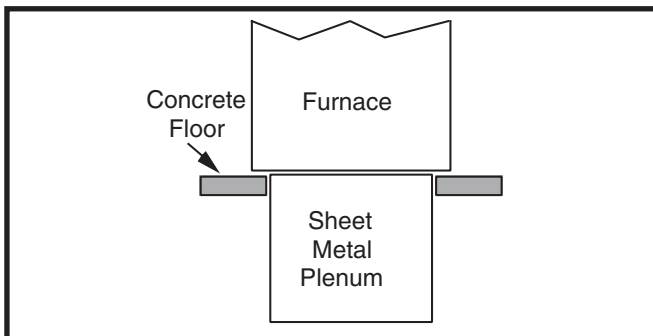


Figure 11. Furnace on a Concrete Slab

Inducer & Venting Options

To increase installation flexibility, the inducer assembly can be rotated to 2 different positions (**'B', 'C', & 'D' width cabinets only**). Each variation has slightly different requirements with regard to condensate disposal and, in some cases, the need to seal the furnace cabinet. **For 'A' width cabinets, the vent pipe can only exit the cabinet through the top of the cabinet.**

Before using [Table 4](#), the number of pipes (1-pipe or 2-pipe) connected to the furnace must be known. Find the proper furnace style (upflow, horizontal, or downflow) and then the side that the pipes will exit from the furnace. Finally select the option that properly matches your installation type from [Figure 35 \(page 45\)](#) & [Figure 36 \(page 46\)](#).

NOTE: It is important that Direct Vent (2-pipe) systems maintain an airtight flow path from the air inlet to the flue gas outlet. The furnace ships from the factory with two holes in the cabinet for the air inlet and flue gas outlet. In certain configurations, it is necessary to remove and relocate a plastic cap in the furnace cabinet. If changing the position of the air inlet and flue gas outlet, it is required that the previous hole be closed off with the plastic cap to maintain air tightness in the furnace. The hole locations for *TE & *TN furnaces are shown in [Figure 26 \(page 30\)](#).

B, C, & D, WIDTH CABINETS			
VENT		UPFLOW	DOWNFLOW
1-PIPE OPTIONS	Right	Option 1	Option 5
	Up	N/A	Option 6
	Left	Option 2	Option 7
2-PIPE OPTIONS	Right	Option 3	Option 8
	Up	N/A	Option 9
	Left	Option 4	Option 10

Table 4. Vent & Inducer Blower Options

Inducer Assembly Rotation

⚠ WARNING:

Inducer rotation must be completed before the furnace is connected to gas and electric. If both utilities have been connected, follow the shutdown procedures printed on the furnace label and disconnect the electrical supply.

⚠ CAUTION:

It is good practice to label all wires prior to disconnection. Wiring errors can cause improper and dangerous operation.

1. Disconnect the electrical harness from the inducer assembly.
2. Remove the inducer assembly ground wire from the blower deck or door.
3. **Upflow Furnaces:** Remove 4 screws securing the inducer assembly to the header box.
Downflow Furnaces: Remove 3 screws securing the inducer assembly to the header box.
4. Remove drain tube from inline drain assembly.
5. Rotate the inducer assembly to its new position.
6. Secure the inducer assembly to the header box by reinstalling the four screws. **NOTE:** An extra screw is provided in the parts package with downflow furnaces.
7. Remove the cabinet plug from side of furnace and reinstall in hole on opposite side of cabinet.
8. Connect all condensate drains as required for your installation. See [Table 4 \(page 16\)](#), [Figure 35 \(page 45\)](#) & [Figure 36 \(page 46\)](#).
9. Reconnect the electrical harness to the inducer assembly.
10. Reconnect the inducer assembly ground wire to the blower deck or door.
11. Verify proper operation as detailed on the furnace label.

Pressure Switch Tubing

[Figure 12](#) displays the proper routing of pressure switch tubing for *TE furnaces. All upflow / horizontal furnaces have two pairs of switches. One set is connected to the static tap on the inducer assembly and the other to the collector box. Downflow (*TN) furnaces require only one pair of switches to be connected to the inducer's static tap. See [Figure 13](#).

Accessories

The components in [Figure 14 \(page 18\)](#) & [Figure 15 \(page 18\)](#) are included in the extra parts bag supplied with the purchase of *TE / *TN furnaces. Depending on your particular installation, some of these components are optional and may not be used. Please refer to the descriptions and accompanying figures when installing these items.

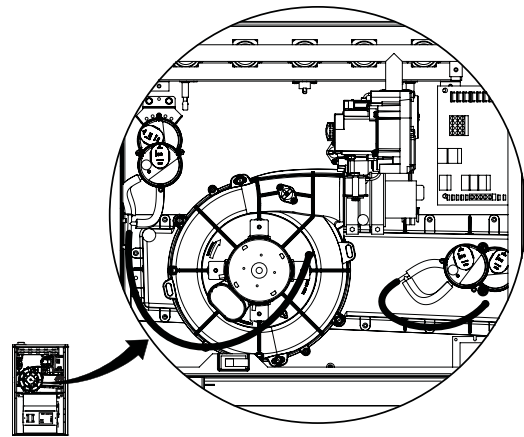


Figure 12. Pressure Switch Tubing for *TE Upflow Furnaces

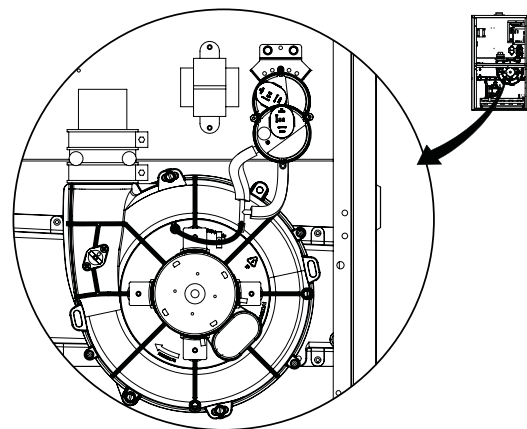


Figure 13. Pressure Switch Tubing for *TN Downflow Furnaces

Finish Flange

The finish flange must be installed to vent the combustion air pipe through the top of the furnace. **NOTE:** For proper installation it is important that the pipe and screw holes in the finish flange, gasket, and cabinet are aligned.

1. Position flange gasket over hole in the furnace cabinet.
2. Position finish flange on top of the flange gasket.
NOTE: Make sure the flange is properly oriented so that the FRONT lettering is located near the front of the furnace as shown in [Figure 14](#).
3. Secure flange and gasket to cabinet with three field supplied sheet metal screws.

Rubber Grommets

The 2 1/4" rubber grommet is used to seal the opening between the furnace cabinet and the 2" PVC vent pipe. The rubber grommet should be installed in the 3" hole prior to running the vent pipe out of cabinet. No sealants are required. See [Figure 14](#).

The 7/8" rubber grommet is used to seal the opening between the furnace cabinet and the gas pipe. The rubber grommet should be installed in the 1 5/8" hole prior to running the gas pipe into the cabinet. No sealants are required.

The 3/4" rubber grommet is used if venting out the left side of the cabinet and the drain tube is routed through the blower deck. Remove the plastic plug from the hole and install the grommet before routing the drain tube.

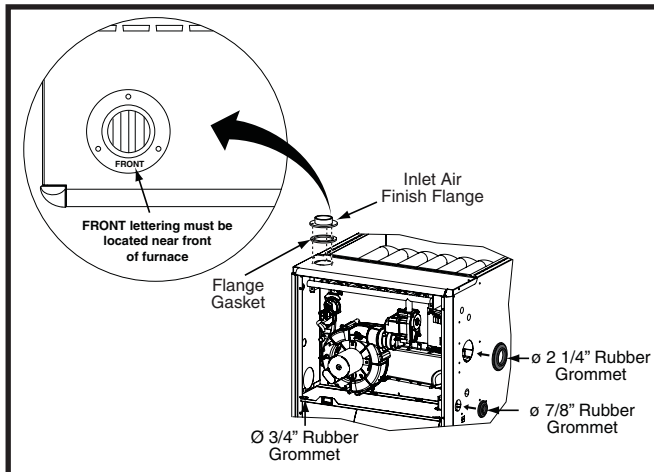


Figure 14. Finish Flange & Rubber Grommets

PVC Components

IMPORTANT NOTES:

- Before permanently installing these components, it is recommended you dry-fit them first to ensure proper fit and alignment with other vent pipes.
- The 2" PVC pipe shown in Figure 15 is not provided in the extra parts bag.
- The PVC Tee & Trap are not included with the *TN furnaces. However the PVC Trap (P/N 664659) can be purchased thru your local distributor.

The 2" PVC Tee and Trap are used when the inducer is rotated to vent out thru the left or right side of the furnace cabinet. See Figure 15.

The 1/2" x 3/4" hose barb can be used to route the condensate drain to the outside of the cabinet. It must be installed from inside the cabinet with the threaded end inserted thru the 1 1/16" hole. See Figure 26 (page 30) for hole location. The condensate drain should be connected to the barbed end. Attach 1" PVC drain line to the threaded end.

Typical Orientation

1. Install the PVC Tee vertically on the 2" vent pipe that is extending out the side of the cabinet. Permanently bond them together using appropriate primer and cement. Refer to the typical orientation shown in Figure 15.
2. Install the reducer or PVC trap (if supplied) on the bottom end of the PVC Tee. Permanently bond them together using appropriate primer and cement.
3. Install the 1/2" x 1/2" hose barb on the 2" PVC reducer. **NOTE:** Do not over tighten! Use an adequate amount of Teflon tape on the threads. Do not use liquid sealants.
4. Verify all connections and joints for tight fit and proper alignment with other vent pipes.

Alternate Orientation

1. Install the 2" PVC Tee horizontally on the 2" vent pipe that is extending out the side of the cabinet. Permanently bond them together using appropriate primer and cement. Refer to the alternate orientation shown in Figure 15.
2. Install the 2" PVC Elbow on the end of the 2" PVC Tee. Permanently bond them together using appropriate primer and cement.
3. Install the reducer or PVC trap (if supplied) on the bottom end of the PVC Tee. Permanently bond them together using appropriate primer and cement.
4. Install the 1/2" x 1/2" hose barb on the 2" PVC reducer. **NOTE:** Do not over tighten! Use an adequate amount of Teflon tape on the threads. Do not use liquid sealants.
5. Verify all connections and joints for tight fit and proper alignment with other vent pipes

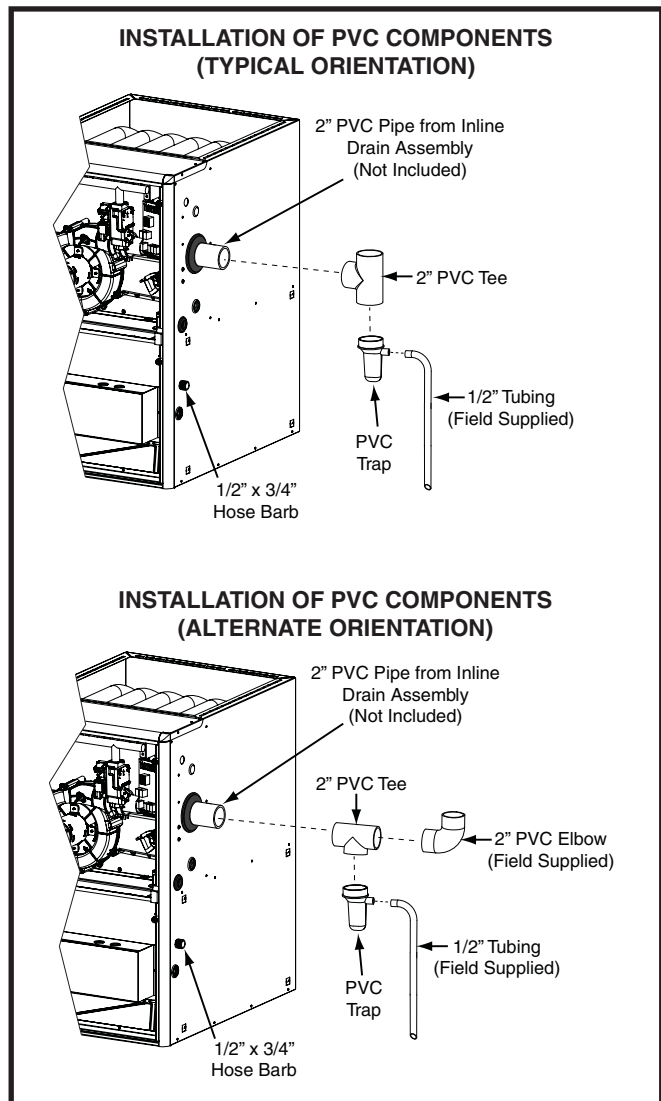


Figure 15. PVC Components

Condensate Drain Lines

IMPORTANT NOTE

If the furnace is installed in an area where temperatures fall below freezing, special precautions must be made for insulating condensate drain lines that drain to the outdoors. If condensate freezes in the lines, this will cause improper operation or damage to the furnace. It is recommended that all drain lines on the outside of the residence be wrapped with an industry approved insulation or material allowed by local code.

The placement of the condensate drain lines will depend on the configuration selected in Table 4, (page 16). The drain lines can be routed out the left or right side of the furnace, but must maintain a downward slope to ensure proper condensate drainage.

The J-trap may need to be rotated to the side that matches your setup in Figure 35 (page 45) & Figure 36 (page 46). To rotate the J-trap, loosen the clamp on the drain tube, rotate the J-trap to either side, and retighten the clamp.

THREE GENERAL RULES APPLY:

- Each condensate drain line within the furnace must be separately trapped using a J-Trap or field supplied loop. After individually trapping the condensate lines, it is acceptable to combine the drains.
- There must always be a drain attached to the collector at the outlet of the secondary heat exchanger.
- There must always be a drain at the lowest point of the venting system. **NOTE:** If using a condensate pump, the furnace drain line must be installed above the pumps water line.

EXCEPTIONS AND CLARIFICATIONS TO THE GENERAL RULES:

- In some cases, the lowest point in the vent system is where it connects to the inducer. In this case one drain at this location is sufficient.
- If the vent exits the furnace horizontally, the vent may be turned vertically with a tee. **The drip leg formed by the tee must include a drain** (Option 1, Option 2, Option 3, Option 4, Option 5, Option 6, Option 7, Option 10).
- In certain cases, it is permitted to drain the inducer back into the top drain of the collector (Option 1, Option 4, Option 5, Option 6, Option 8, & Option 9). To ensure proper drainage of condensate, make sure the drain line does not sag or becomes twisted. The drain tube supplied with the furnace may need to be trimmed.

Bottom Panel Removal

The steps listed below describe how to remove the bottom panel from the furnace. See Figure 16.

1. Remove the door (1) from the blower compartment.
2. Disconnect the blower motor wiring harness (2) from the control board.
3. Remove two screws (3) securing the blower assembly (4) to the furnace.
4. Carefully pull the blower assembly (4) out thru the front of the furnace.

5. Remove all screws (5) securing bottom panel (6) to bottom of furnace and front brace (7).
6. Lift up and slide bottom panel (6) out through front of furnace.
7. Reinstall the blower assembly (4) in reverse order.

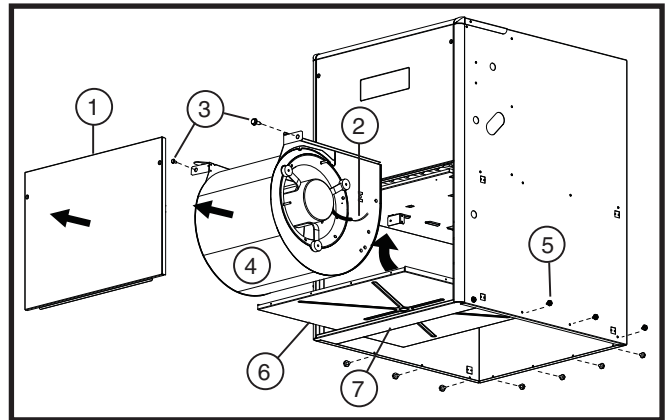


Figure 16. Bottom Panel Removal

Alternate Bottom Panel Removal

If the bottom panel cannot be removed using the previous instructions, the steps below are an alternate method for removing the bottom panel. See Figure 17.

1. Remove the door (1) from the blower compartment.
2. Remove all screws securing the bottom panel (2) to the front brace (3).
3. Remove two screws (4) securing the furnace cabinet to the blower deck (5).
4. Remove all screws (6) securing the furnace cabinet to the bottom panel (2).
5. Remove the screw (7) securing the bottom corner of the furnace cabinet to the front brace (3).
6. Carefully spread the bottom corner of the furnace cabinet outwards while sliding the bottom panel (2) out through the front of the furnace.
7. Reassemble the furnace in reverse order.

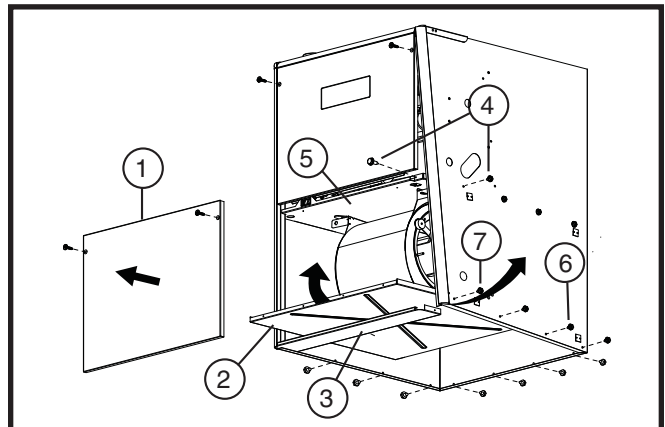


Figure 17. Alternate Removal Method

GAS SUPPLY & PIPING

WARNING:

FIRE OR EXPLOSION HAZARD

- Failure to follow safety warnings exactly could result in serious injury or property damage.
- Installation and service must be performed by a qualified installer, service agency or the gas supplier.
- Do not store or use gasoline or other flammable vapors and liquids in the vicinity of this or any other appliance.

WHAT TO DO IF YOU SMELL GAS

- Do not try to light any appliance.
- Do not touch any electrical switch; do not use any phone in your building.
- Leave the building immediately.
- Immediately call your gas supplier from a neighbor's phone. Follow the gas supplier's instructions.
- If you cannot reach your gas supplier, call the fire department.

- All gas piping must be installed in compliance with local codes and utility regulations. In the absence of local codes the gas line installation must comply with the latest edition of the National Fuel Gas Code (ANSI Z223.1) or (CAN/CGA B149.1 or .2) Installation Codes.
- Some local regulations require the installation of a manual main shut-off valve and ground joint union external to the furnace. The shut-off valve should be readily accessible for service and/or emergency use. Consult the local utility or gas supplier for additional requirements regarding placement of the manual main gas shut-off. See [Figure 18 \(page 21\)](#).
- Gas piping must never run in or through air ducts, chimneys, gas vents, or elevator shafts.
- Compounds used on threaded joints of gas piping must be resistant to the actions of liquefied petroleum gases.
- The main gas valve and main power disconnect to the furnace must be properly labeled by the installer in case emergency shutdown is required.
- Flexible gas connectors are not recommended for this type of furnace but may be used if allowed by local jurisdiction. Only new flexible connectors may be used. Do not reuse old flexible gas connectors.
- A drip leg should be installed in the vertical pipe run to the unit. See [Figure 18](#).

[Table 10 \(page 35\)](#) lists gas flow capacities for standard pipe sizes as a function of length in typical applications based on nominal pressure drop in the line.

NOTE: The 'A' width furnace can only be installed with right side gas entry. 'B', 'C', & 'D' width furnaces may be installed for either left or right side gas entry.

When connecting the gas supply, provide clearance between the gas supply line and the entry hole in the furnace casing to avoid unwanted noise and/or damage to the furnace. Typical gas hookups are shown in [Figure 18](#).

Leak Check

WARNING:

FIRE OR EXPLOSION HAZARD

Failure to follow safety warnings exactly could result in serious injury or property damage.

Never test for gas leaks with an open flame. Use a commercially available soap solution made specifically for the detection of leaks to check all connections. A fire or explosion may result causing property damage, personal injury or loss of life.

After the gas piping to the furnace is complete, all connections must be tested for gas leaks. This includes pipe connections at the main gas valve, emergency shutoff valve and flexible gas connectors (if applicable). The soap and water solution can be applied on each joint or union using a small paintbrush. If any bubbling is observed, the connection is not sealed adequately and must be retightened. Repeat the tightening and soap check process until bubbling ceases.

IMPORTANT NOTE

When pressure testing gas supply lines at pressures greater than 1/2 psig (14 inch W.C.), the gas supply piping system must be disconnected from the furnace to prevent damage to the gas control valve. If the test pressure is less than or equal to 1/2 psig (14 inch W.C.), close the manual shut-off valve.

High Altitude Application (Natural Gas Only)

The installation of this furnace at altitudes above 2,000 feet must meet the requirements of the National Fuel Gas Code or local jurisdiction. In Canada, the requirements for high altitude are different and governed by CGA B149.1. Please consult your local code authority.

WARNING:

The reduction of input rating necessary for high altitude installation may only be accomplished with factory supplied orifices. Do not attempt to drill out orifices in the field. Improperly drilled orifices may cause fire, explosion, carbon monoxide poisoning, personal injury or death.

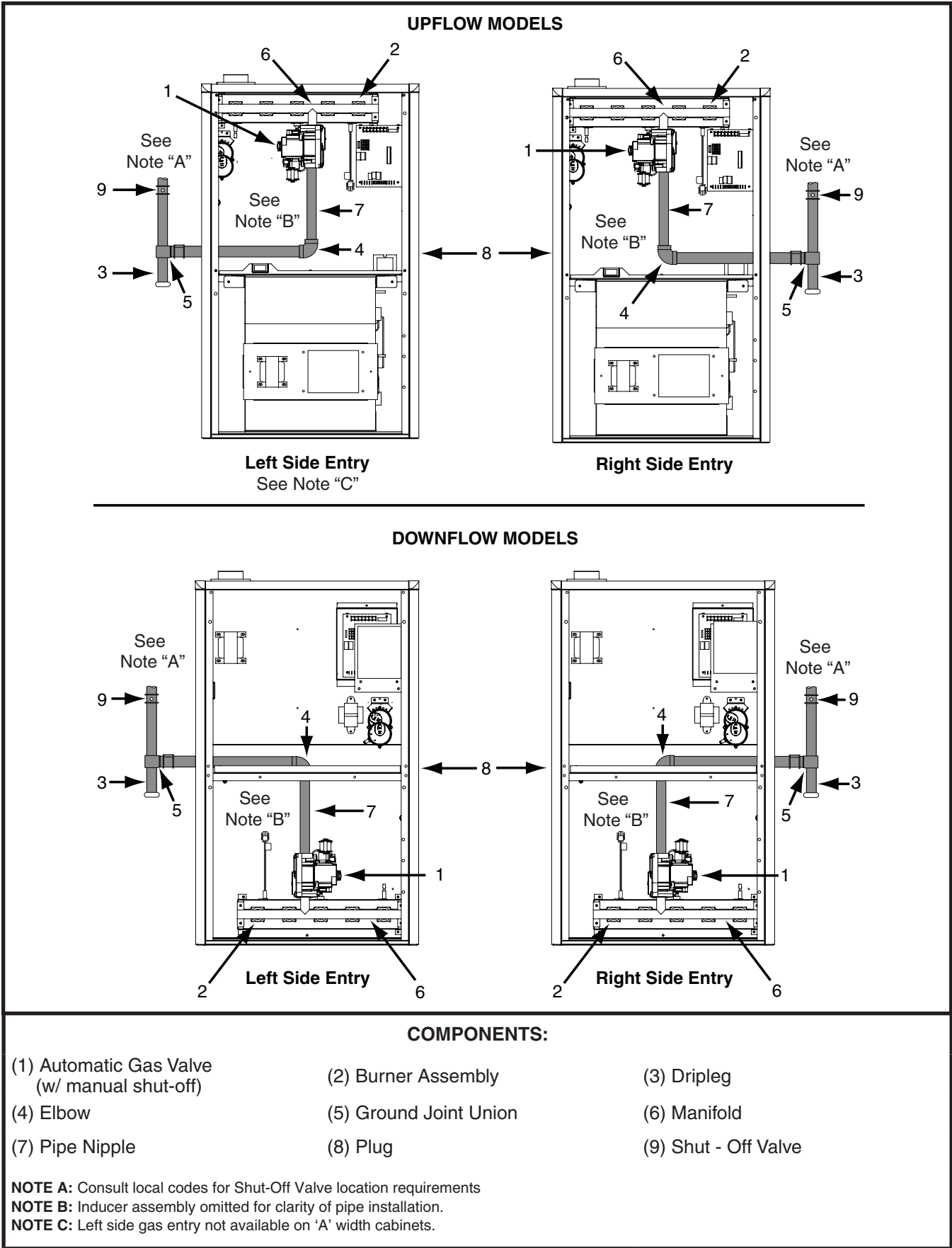


Figure 18. Typical Gas Connections

The furnaces are shipped from the factory with orifices and gas regulator settings for natural gas operation at sea level altitudes. At 2,000 feet, the NFGC requires that this appliance be derated 4% for each 1,000 feet of altitude. For example, the input needs to be reduced 8% at 2,000 feet, 12% at 3,000 feet, etc. This deration is in reference to the input rate and gas heating value at sea level.

To derate the furnace requires knowing the heating value of the gas at the installation site. Heating values at particular job sites vary for two reasons:

1. The chemical mixture of the gas varies from region to region and is expressed as the “sea level heating value”.
2. The heating value varies by altitude. For this reason, particularly in high altitude areas, the local gas utility usually specifies the heating value at the residence’s gas meter as the “local value”.

For added flexibility, two tables have been provided for natural gas installations with **high** or **low** heating values at sea level. [Table 13 \(page 37\)](#) & [Table 14 \(page 37\)](#) contain the orifice sizes and manifold pressure to use at various altitudes. [Table 13 \(HIGH\)](#) is for natural gas installations with a heating value of more than 1,000 Btu per cubic foot and [Table 14 \(LOW\)](#) is for less than 1,000 Btu per cubic foot. To determine which table to use:

1. Consult your local utility for the local heating value at your installation.
2. From [Table 12 \(page 36\)](#), find your local heating value as supplied by the utility company. Follow down the column and stop at your altitude level.
3. If your sea level heating value is HIGH, use [Table 13](#) or if it’s LOW, use [Table 14](#). See example.

EXAMPLE	
Elevation:	5,000 feet
Type of Gas:	Natural Gas
Local Heating Value of Gas:	750
From Table 12 , find 750 and follow down the column, stop at the 5,000 feet row. The heating value listed is LOW. Table 14 will be used to determine orifice size and manifold pressure.	

After changing the regulator pressure or changing the orifices, it is required that you measure the gas input rate. This may be accomplished in the usual way, by clocking the gas meter and using the local gas heating value. See [Verifying & Adjusting the Input Rate section \(page 26\)](#).

IMPORTANT NOTE

Observe the action of the burners to make sure there is no yellowing, lifting or flashback of the flame.

Converting from Natural Gas to LP / Propane

⚠ **WARNING:**

The furnace was shipped from the factory equipped to operate on natural gas. Conversion to LP / Propane gas must be performed by qualified service personnel using a factory supplied conversion kit. Failure to use the proper conversion kit can cause fire, explosion, property damage, carbon monoxide poisoning, personal injury, or death.

Conversion to LP / Propane is detailed in the installation instructions provided with the conversion kit. Generally, this will require the replacement of the burner orifices and the spring assembly in the pressure regulator. Approved conversion kits are listed below:

- **Installations in the United States:** For Propane (LP) conversion or for LP gas installations in altitudes between 2,000 ft. and 10,000 ft. above sea level, use the LP & High Altitude LP Gas Conversion Kit (P/N 904914) for Installations in the United States. **Please follow the instructions provided with the kit.**
- **Installations in Canada:** For Propane (LP) conversion or for LP Gas installations in altitudes between zero and 4,500 ft. above sea level, use the LP & High Altitude LP Gas Conversion Kit (P/N 904915) for Installations in Canada. **Please follow the instructions provided with the kit.**

If the installation is in the U.S. above 2,000 ft., refer to [Table 11 \(page 36\)](#) to determine the correct orifice size and regulator pressure. See [Example](#) below.

EXAMPLE	
Elevation:	5,000 feet
Type of Gas:	Propane Gas
Input BTUH of Furnace:	80,000
From Table 11 , find 5,000 and follow across the row; stop at the 80,000 btuh column. At first stage, the manifold pressure listed is 4.2, but at 2nd stage the pressure is 9.0. The listed orifice size is 56.	

When conversion is complete, verify the manifold pressure and input rate are correct as listed in the Tables.

ELECTRICAL WIRING

WARNING:

ELECTRICAL SHOCK, FIRE OR EXPLOSION HAZARD

Failure to follow safety warnings exactly could result in serious injury or property damage.

Improper servicing could result in dangerous operation, serious injury, death or property damage.

- Before servicing, disconnect all electrical power to furnace.
- When servicing controls, label all wires prior to disconnecting. Reconnect wires correctly.
- Verify proper operation after servicing.

- Electrical connections must be in compliance with all applicable local codes, and the current revision of the National Electric Code (ANSI/NFPA 70).
- For Canadian installations the electrical connections and grounding shall comply with the current Canadian Electrical Code (CSA C22.1 and/or local codes).

IMPORTANT NOTE:

- If replacing any of the original wires supplied with the furnace, the replacement wire must be copper wiring and have a temperature rating of at least 105°F (40°C). For electrical specifications, refer to the furnace nameplate or [Table 5 \(page 23\)](#).

Line Voltage Wiring

It is recommended that the line voltage (115 VAC) to the furnace be supplied from a dedicated branch circuit containing the correct fuse or circuit breaker for the furnace. See [Table 5](#) below.

IMPORTANT NOTES:

- An electrical disconnect must be installed readily accessible from and located within sight of the furnace. See [Figure 19](#) or the wiring diagram label inside of the control door. Any other wiring methods must be acceptable to authority having jurisdiction.
- Proper line voltage polarity must be maintained in order for the control system to operate correctly. Verify the incoming neutral line is connected to the white wire and the incoming HOT line is connected to the black wire. The furnace will not operate unless the polarity and ground are properly connected as shown in [Figure 19](#).

Grounding

WARNING:

To minimize personal injury, the furnace cabinet must have an uninterrupted or unbroken electrical ground. The controls used in this furnace require an earth ground to operate properly. Acceptable methods include electrical wire or conduit approved for ground service. Do not use gas piping as an electrical ground!

Thermostat / Low Voltage Connections

- The furnace is designed to be controlled by a 24 VAC thermostat. The thermostat's wiring must comply with the current provisions of the NEC (ANSI/NFPA 70) and with applicable local codes having jurisdiction.
- Twinning of two stage furnaces is no longer supported. Please contact your furnace distributor for details.
- The thermostat must be installed according to the instructions supplied by the thermostat manufacturer. Low voltage connections (24 VAC) from the thermostat are wired to the terminal strip on the integrated control in the furnace. Recommended minimum wire gauge for thermostat wiring is shown in [Table 5 \(page 23\)](#).

FURNACE INPUT (BTUH)	CABINET WIDTH (IN.)	NOMINAL ELECTRICAL SUPPLY	MAXIMUM OPERATING VOLTAGE	MINIMUM OPERATING VOLTAGE	MAXIMUM FURNACE AMPERES	MAXIMUM FUSE OR CIRCUIT BREAKER AMPS*
60,000	17 1/2	115-60-1	127	103	6.2	15
80,000	21	115-60-1	127	103	8.7	15
100,000	21	115-60-1	127	103	8.7	15
115,000	24 1/2	115-60-1	127	103	11.7	15

THERMOSTAT WIRE GAUGE	RECOMMENDED THERMOSTAT WIRE LENGTH	
	2 - WIRE - HEATING	4 OR 5 WIRE - COOLING
24	55 ft.	25 ft.
22	90 ft.	45 ft.
20	140 ft.	70 ft.
18	225 ft.	110 ft.

* Time-delay fuses or circuit breakers are required.

Table 5. Wire Length & Voltage Specifications

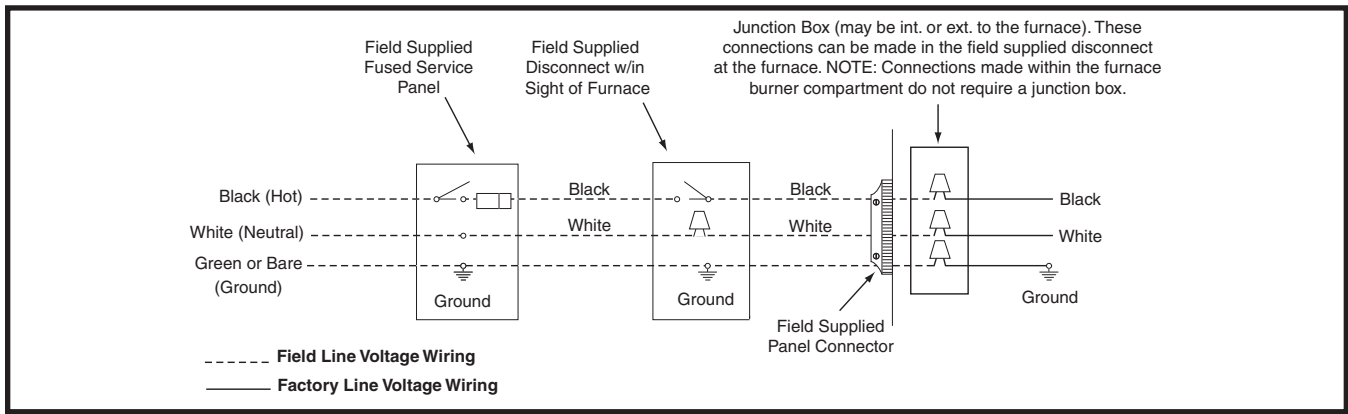


Figure 19. Line Voltage Field Wiring

- The thermostat should be mounted about 5 feet above the floor on an inside wall. DO NOT install the thermostat on an outside wall or any other location where its operation may be adversely affected by radiant heat from fireplaces, sunlight, or lighting fixtures, and convective heat from warm air registers or electrical appliances. Refer to the thermostat manufacturer's instruction sheet for detailed mounting information.
- Depending on the type of air conditioning unit and thermostat used, both blower applications utilize three basic wiring configurations.

Single Stage AC & Single Stage Thermostat

This option does not use the full two-stage control capability of the furnace, but the possibility of timed autostaging is available. See also Autostaging for Single Stage Thermostats.

- Connect the thermostat's **W** output to the furnace control boards **W1** terminal. This allows the furnace to always run in low output mode. See Figure 20.
- Always connect the thermostat **C** & **R** to the furnace control board **C** & **R**.
- For cooling, connect the thermostats **Y** signal to the furnace control board **Y / Y2** terminal.
- Field supplied wires should also connect **Y / Y2** & **C** to the outdoor unit's **Y** & **C** terminals.

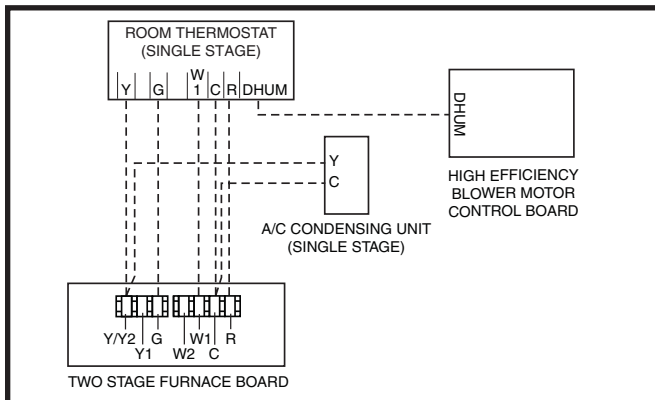


Figure 20. Wiring Configuration 1

Single Stage AC & Two Stage Thermostat

This option uses the full two stage heating capability of the furnace with a single stage outdoor unit. See Figure 21.

- Connect the thermostat's **W1** & **W2** outputs to the furnace control board's **W1** & **W2** terminals.
- Always connect the thermostat **C** & **R** to the furnace control board **C** & **R**
- For cooling, connect the thermostats **Y** signal to the furnace control board **Y / Y2** terminal.
- Field supplied wires should also connect **Y / Y2** & **C** to the outdoor unit's **Y** & **C** terminals.

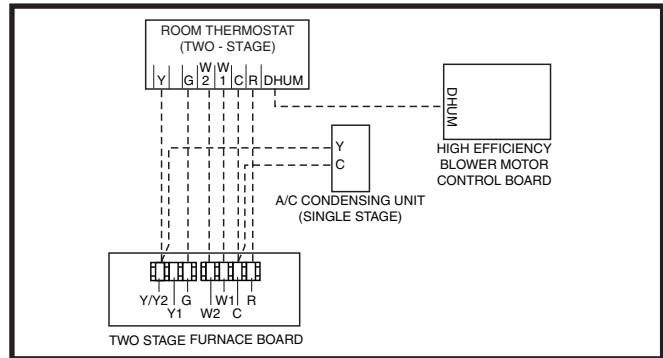


Figure 21. Wiring Configuration 2

Two-Stage AC & Two-Stage Thermostat

This option uses the full two stage heating capability of the furnace with a two stage outdoor unit. See Figure 22.

- Connect the thermostat's **W1** & **W2** outputs to the furnace control board's **W1** & **W2** terminals.
- Always connect the thermostat **C** & **R** to the furnace control board **C** & **R**.
- For cooling, connect the thermostat **Y** & **Y1** to the furnace control board's **Y / Y2** & **Y1** terminal's.
- Field supplied wires should also connect the **Y / Y2** & **Y1** signals to the outdoor unit's **Y** & **Y1** terminals.
- Connect terminal **C** to the outdoor unit's **C**.

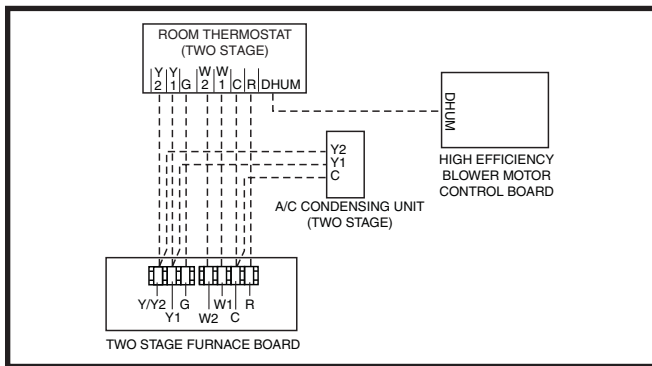


Figure 22. Wiring Configuration 3

Autostaging for Single Stage Thermostats

The Autostaging feature makes it possible to use a single stage thermostat and still receive some of the benefits of 2-stage furnace operation. If Autostage is enabled, the furnace will drop to **LOW** fire after initially starting in **HIGH** fire. After a period of 10 minutes, the furnace will then stage up to **HIGH** fire, until the heating load is met. See [Figure 20](#) and the Low Voltage Connection section on [page 23](#).

The autostaging option on the furnace control board is selected using the autostage jumper located near the thermostat terminal block. See [Figure 29 \(page 38\)](#). When the autostage jumper is moved from **OFF** to **ON**, the following occurs during a call for heat:

Setting the Autostage jumper in the **ON** position signals the control to utilize a 10 minute delay between **LOW** fire and **HIGH** fire when a call for heat is supplied via 24V signal to **W1**. This setting is the same as jumping **R** to **W2**.

NOTE: If the autostage jumper is in the **ON** position and a **W1** demand is present when power is applied to the furnace, the first heat cycle will run in second stage heat with no autostaging. After the first cycle, the furnace will resume normal autostaging operation. **DO NOT jump W1 & W2 together while the autostage jumper is in the ON position.**

Autostaging for Two-Stage Thermostats

The Autostage setting on the furnace control board [Figure 29 \(page 38\)](#) is disabled when shipped from the factory. This feature will be not used when paired with a two-stage thermostat. The autostage jumper setting (**P7**) must be kept on **OFF** to allow the thermostat to adjust stages.

Blower Speed Configuration

Two-stage furnaces use high efficiency circulating air motors that come in two variations and both are controlled differently. The fixed speed motor control board ([Figure 27 \(page 38\)](#)) controls the torque and the variable speed motor control board ([Figure 28](#)) controls the airflow at a constant CFM. Both boards use the same furnace control board ([Figure 29](#)).

Fixed Speed Blower Applications

NOTE: This section applies only to furnaces with model numbers suffixed with two numbers, followed by a letter, such as 35C or 45D. If your model has suffix VB, VC, or VD, please consult the Variable Speed Blower Application section below.

The fixed speed motor control board ([Figure 27](#)) contains a set of dip switches for setting the blower speed. Use pins 1 to 4 to set the blower speed for heating and pins 5 to 8 to set the speed for cooling. To determine the appropriate switch settings for your installation, see [Table 6 \(page 31\)](#).

For thermostats with a dehumidifier output, use a field supplied wire to connect the thermostat's dehumidifier output to the terminal marked **DEHUM**. The thermostat should be set so that the **DEHUM** output should be high (positive) when dehumidification is needed. See also Dehumidification Options section.

CAUTION:

The terminal marked "Y1_IN" on the variable speed motor control board is not an output to drive the outdoor unit. DO NOT connect Y1_IN on the motor control board to the outdoor unit.

Variable Speed Blower Applications

CAUTION:

The variable speed control board is used by other appliances. Many of the terminals and connections on the board are for other appliances and are not used in the two stage application. The only two-stage field connection to this board is the DHUM terminal, used to reduce the blower speed during cooling.

NOTE: This section applies only to models ending with the suffixes VB, VC, or VD.

The variable speed motor control board shown in [Figure 28 \(page 38\)](#) has a set of dip switches for setting the base blower speed. Use pins 1 to 4 to set the blower speed for heating and pins 5 to 8 to set the speed for cooling. To determine the appropriate switch settings for your installation, see [Table 7 \(page 33\)](#) for heating or [Table 8 \(page 34\)](#) for cooling.

Use field supplied wire to connect the thermostat's dehumidifier output to the terminal marked **DEHUM**. The thermostat should be set so that the **DEHUM** output is high (positive) when dehumidification is needed. See also Dehumidification Options section.

Dehumidification Options

Both motor control boards ([Figure 27 & Figure 28](#)) have a **DEHUM** connection that allows the system to increase the amount of humidity that is removed from the circulating air. This is accomplished by reducing the CFM and allowing

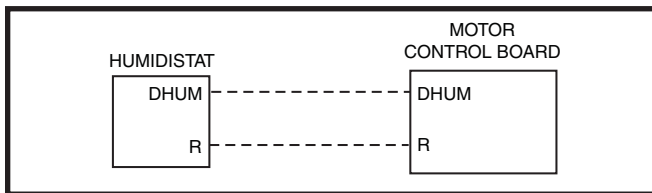


Figure 23. DEHUM Wiring Configuration with Humidistat

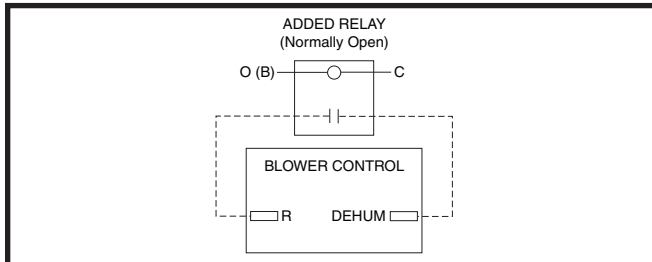


Figure 24. DEHUM Wiring Configuration without Humidistat

the cooling coil to become colder. This will only occur when there is a call for cooling. There are many ways that this can be electrically wired:

- If the room thermostat incorporates a humidity sensor and **DEHUM** output, connect the **DEHUM** on the thermostat to the **DEHUM** terminal on the motor control board. See [Figure 23](#).
- If using a separate humidistat, connect the **DEHUM** & **R** terminals on the humidistat to the **DEHUM** & **R** terminals on the motor control board. See [Figure 27](#) & [Figure 28](#). In this option, the **DEHUM** output of the humidistat must be set to be normally open and closed when there is a call for humidification.
- If a humidistat is not available, it is an acceptable option to connect the **R** & **DEHUM** via a field supplied normally open relay. See [Figure 24](#) (page 26). The **R** & **DEHUM** terminals should be connected across the normally open relay terminals. The O (B) & C terminals should then be connected across the relay coil. This option causes the blower to run at a reduced CFM for 10 minutes after a call for cooling.

Heat Anticipator

Set the heat anticipator according to the instructions supplied by the thermostat manufacturer. To determine the heat anticipator setting:

1. Add the current draw of the system components; or
2. Measure the current flow on the thermostat **R** & **W** circuit after the circulating blower motor has started.

START-UP & ADJUSTMENTS

Pre-Start Check List

- ✓ Verify the polarity of the connections are correct, the line voltage power leads are securely connected and the furnace is properly grounded.
- ✓ Verify that all needed thermostat wires are securely connected to the correct leads on the terminal strip of the circuit board. See [Figure 20](#) (page 24), [Figure 21](#) (page 24), & [Figure 22](#) (page 25).
- ✓ Verify the gas line service pressure does not exceed 10.0 inches of water column, and is not less than 4.5 inches W.C. for natural gas. For LP gas the line service pressure must not exceed 14 in. W.C., and must not be less than 11.0 in. W.C.
- ✓ Verify the roll-out and manual reset switch is closed. If necessary, press the button to reset the switch. **DO NOT install a jumper wire across a switch to defeat its function.** If a switch reopens on start-up, **DO NOT** reset the switch without identifying and correcting the fault condition.
- ✓ Verify the blower door is in place, closing the door switch in the line voltage circuit.
- ✓ Verify the gas line has been purged and all connections are leak free.

Start-up Procedures

Do not perform these steps until all of the checks in the previous steps have been completed:

1. Set the thermostat to the lowest setting.
2. Turn off all electrical power to the furnace.
3. Follow the Operating Instructions on the furnace label.
4. Set the thermostat above room temperature and verify the Operating Sequence. See [page 28](#).
5. After 5 minutes of operation, set the thermostat below room temperature and verify steps 11 & 12 of the Operating Sequence.

Verifying & Adjusting Input Rate

The input rate must be verified for each installation to prevent over-firing of the furnace. **NOTE:** The input rate must not exceed the rate shown on the furnace rating plate. At altitudes above 2,000 feet, it must not exceed that on the rating plate less 4% for each 1,000 feet. To determine the exact input rate, perform the following procedures:

1. Shut off all other gas fired appliances.
2. Start and run the furnace in high fire for at least 3 minutes.
3. Measure the time (in seconds) required for the gas meter to complete one revolution.
4. Convert the time per revolution to cubic feet of gas per hour using [Table 9](#) (page 35).
5. Multiply the gas flow rate in cubic feet per hr by the heating value of the gas in Btu per cubic ft to obtain the input rate in Btuh. See example below.

Example:

- Time for 1 revolution of a gas meter with a 1 cubic ft dial = 40 seconds.
- From Table 9 read 90 cubic ft gas per hr.
- Local heating value of the gas (obtained from gas supplier) = 1,040 Btu per cubic ft.
- Input rate = 1,040 x 90 = 93,600 Btuh.

6. The manifold pressure must be set to the appropriate value for each installation by a qualified installer, service agency or the gas supplier.

WARNING:

Do not attempt to drill the gas orifices. Use only factory supplied orifices. Improperly drilled orifices may cause fire, explosion, carbon monoxide poisoning, personal injury or death.

- a. Remove plastic cap from pressure regulator.
- b. Obtain the manifold pressure setting required for this installation by referring to Table 11 (page 36) for Propane or Table 13 & Table 14 (page 37) for Natural Gas.
- c. Using an Allen wrench, turn the the LO Input Adjusting Screw on the LO side of the regulator to adjust the reduced input setting or turn the HI Input Adjusting Screw on the side of the regulator to adjust the full input setting. See Figure 25 (page 27). **NOTE:** Turning the adjusting screw clockwise increases the pressure and counterclockwise reduces the pressure.
- d. Reinstall plastic cap after adjustment is complete.

Verifying & Adjusting Temperature Rise

Confirm the temperature rise through the furnace is within the limits specified on the furnace rating plate. Any temperature rise outside the specified limits could result in premature failure of the heat exchanger.

1. Place thermometers in the return and supply air stream as close to the furnace as possible. To avoid false readings, the thermometer on the supply air side must be shielded from direct radiation from the heat exchanger.
2. Adjust all registers and duct dampers to the desired position and run the furnace for 10 to 15 minutes in high fire before taking any temperature readings. The temperature rise is the difference between the supply and return air temperatures.

For typical duct systems, the temperature rise will fall within the limits specified on the rating plate with the blower speed at the factory recommended setting. If the measured temperature rise is outside the specified limits, it may be necessary to change the speed of the blower. **NOTE:** Lowering the blower speed increases the temperature rise and a higher blower speed will decrease the temperature rise.

The furnace is equipped with a multi-speed motor. Heating and cooling speed selection is made by moving the switches on the integrated control located in the furnace.

Verifying Burner Operation

CAUTION:

The door over the burners may only be open for inspection purposes only. The door must be installed during unattended operation.

1. Remove the burner compartment door.
2. Set the thermostat above room temperature and observe the ignition sequence. The burner flame should carry over immediately between all burners without lifting off, curling, or floating. The flames should be blue, without yellow tips.
3. After validating flame characteristics, change thermostat setting to below room temperature.
4. Verify burner flame is completely extinguished.
5. Replace the burner compartment door.

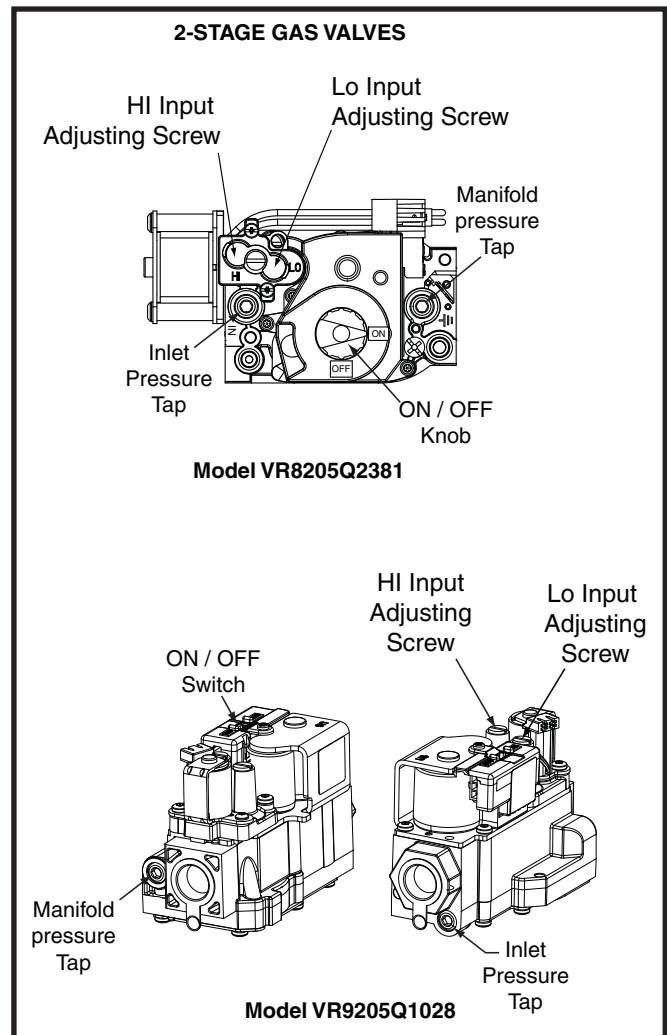


Figure 25. HI & LO Input Adjusting Screws

OPERATING SEQUENCE

The operating sequences for the heating, cooling, and fan modes are described below. Refer to the field and furnace wiring diagrams: Figure 19 (page 24), Figure 20 (page 24), Figure 21 (page 24), Figure 22 (page 25) & Figure 30 (page 39), Figure 31 (page 40), Figure 32 (page 41), & Figure 33 (page 42).

Heating Cycle

1. The thermostat calls for heat by energizing the **W1** terminal with 24VAC.
2. The control checks to see the pressure switch is open. If the switch is closed, the furnace will shut down for 5 minutes before retrying
3. If the pressure switch is open, the control energizes the inducer motor and waits for the pressure switch to close. The pressure switch must close within 12 seconds.
4. The control runs the inducer for a 30 second pre-purge time.
5. The control energizes the igniter output for the appropriate adaptive warm-up time limit.
6. The furnace always ignites the burners in **high** fire. If the call for heat is for **low** rate, the furnace will move down to **low** fire after the flames stabilize.
7. If the flame is proved and ignites the gas, the control de-energizes the igniter. The gas valve and inducer remains energized. The control goes to blower on delay.
8. The control energizes the blower on the selected HEAT speed 22 seconds after the gas valve opened. The gas valve and inducer remain energized.
9. If there is a call for **high** fire, the gas valve moves to the **high** fire position and the blower speeds are increased. The furnace will remain in **high** fire until the demand for heat is satisfied.
10. If autostaging is enabled (single stage thermostat) the demand for heat has lasted more than the selected time, the furnace automatically moves up to **high** fire. Autostage time is ON (10 minutes) or **OFF**, depending on the Jumper (**P7**) setting on the furnace control board.
11. When the thermostat demand for heat is satisfied, the control de-energizes the gas valve. The inducer output remains on for a 30 second post-purge period.
12. The circulating air blower will continue to run for the selected Blower Off Delay (**P5**). This may be 60, 90, or 120 seconds depending on the jumper setting on the furnace control board.

Cooling Cycle

1. The thermostat calls for cooling by energizing the **Y / Y2** or **Y1** terminal with 24VAC.
2. The control energizes the blower in the cooling speed and sends 24VAC to the contactor in the condensing unit.
3. When the thermostat removes the call for cooling, the contactor in the outdoor condensing unit is de-energized and the control continues to run the fan for a period of 60 seconds.

Fan Mode

- When the thermostat energizes the **G** terminal for continuous fan (without calling for heat or cooling), the indoor fan is energized on the selected FAN speed.

- If a call for cooling occurs during continuous fan, the blower will switch over to the selected COOL speed.
- If the W terminal receives a call for heat during continuous fan, the blower will de-energize.
- A call for fan is ignored while in lockout.
- The blower will operate at 50% of the selected high cooling speed for continuous fan operation in fixed speed configuration and 35% of the selected high cooling speed in variable speed configurations

MAINTENANCE

WARNING:

ELECTRICAL SHOCK, FIRE OR EXPLOSION HAZARD

Failure to follow safety warnings exactly could result in serious injury or property damage.

Improper servicing could result in dangerous operation, serious injury, death or property damage.

- **Before servicing, disconnect all electrical power to furnace.**
- **When servicing controls, label all wires prior to disconnecting. Reconnect wires correctly.**
- **Verify proper operation after servicing.**

Proper maintenance is most important to achieve the best performance from a furnace. Follow these instructions for years of safe, trouble free operation.

- These maintenance instructions are primarily intended to assist qualified technicians experienced in the proper maintenance and operation of this appliance.
- Always reinstall the doors on the furnace after servicing or cleaning/changing the filters. Do not operate the furnace without all doors and covers in place.
- Verify that the thermostat is properly installed and is not affected by drafts or heat from lamps or other appliances.
- To achieve the best performance and minimize equipment failure it is recommended that a yearly maintenance checkup be performed. At a minimum, this check should include the following items:

Air Filter(s) - Air filter(s) are not supplied with the furnace as shipped from the factory. The installer must provide a high velocity filter and rack for a filter in the return air duct adjacent to the furnace, or in a return air grill to the furnace.

WARNING:

Never operate the furnace without a filter in place. Dust and lint in the return air can build up on internal components, resulting in loss of efficiency, equipment damage, and possible fire.

It is recommended that filters be 1" or 2" thick and be cleaned or replaced monthly.

Filters designed to remove smaller particles such as pollen, may require additional maintenance. Filters for side return and bottom return applications are available from most local distributors.

Blower Compartment - Dirt and lint can create excessive loads on the motor resulting in higher than normal operating temperatures and shortened service life. It is recommended that the blower compartment be cleaned of dirt or lint that may have accumulated in the compartment or on the blower and motor as part of the annual inspection.

Cleaning of Burners - If the burners must be cleaned, follow the steps below and see [Figure 37 \(page 48\)](#) and for component location.

1. Shut off gas supply to the furnace either at the meter or at a manual valve in the supply piping.
2. Turn off all power to the furnace and set the thermostat to it's lowest setting.
3. Remove the burner door from the furnace.
4. Turn the gas control switch to the OFF position.
5. Disconnect the wires from the gas valve, igniter, flame sensor, and flame rollout switch.

 **CAUTION:**

To prevent damage to the unit or internal components, it is recommended that two wrenches be used when loosening or tightening nuts. Do not over tighten!

6. Using two wrenches, separate the ground-joint union in the gas supply piping at the furnace.
7. Remove the piping between the Gas Valve and the ground-joint union. (If applicable).
8. Remove all screws securing the Manifold Assembly to the Burner Box.
9. Carefully remove the burner assembly from the furnace. **DO NOT DAMAGE THE IGNITER WHILE REMOVING THE BURNER ASSEMBLY.**
10. Inspect the burners for accumulated dust or debris. If necessary carefully clean them with a soft wire brush and a vacuum cleaner. **DO NOT DAMAGE THE IGNITER WHILE CLEANING THE BURNER.**
11. Replace all the parts in reverse order from which they were removed.
12. Follow the lighting instructions found on the furnace door to return the furnace to operation. Verify proper operation after servicing.

Heat Exchanger & Burner Maintenance - The furnace should operate for many years without soot buildup in the flue passageways, however, the flue, vent system, and burners should be inspected and cleaned (if required) by a qualified service technician annually to ensure continued

safe operation. Pay attention to any deterioration from corrosion or other sources.

 **WARNING:**

Holes in the vent pipe or heat exchanger can cause combustion products to enter the home. Replace the vent pipe or heat exchanger if leaks are found. Failure to prevent the circulation of combustion products into the living space can create potentially hazardous conditions including carbon monoxide poisoning that could result in personal injury or death.

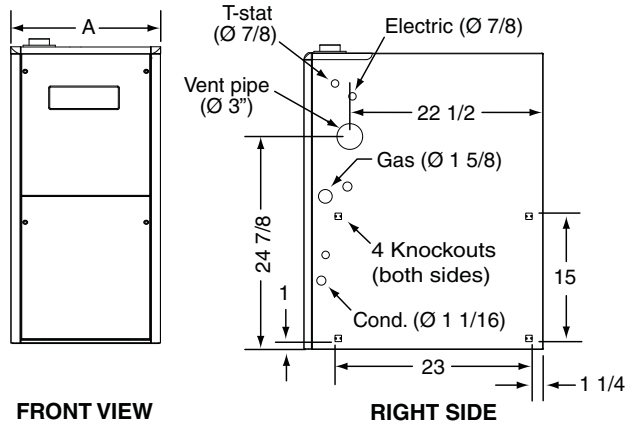
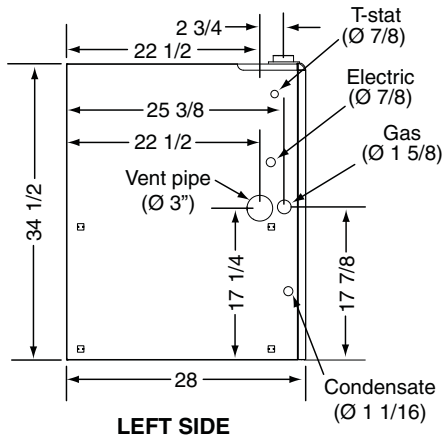
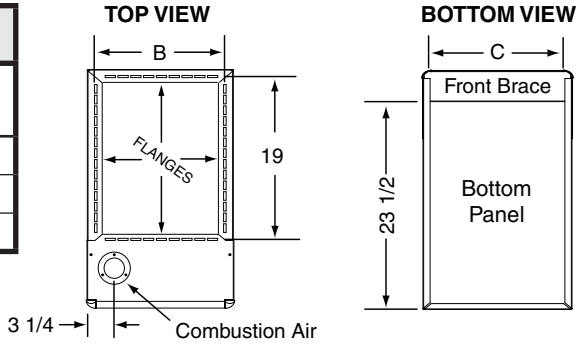
Lubrication - The bearings in the blower motor and inducer blower used in these furnaces are pre-lubricated and sealed by the manufacturer. No further oiling of the bearings is required for the life of the motor.

Vent System - Check the inlet pipe (if applicable) and outlet pipe to ensure they are not blocked by debris. Any damaged section of vent pipe must be replaced, and any obstruction or blockage must be removed prior to operating the furnace.

FIGURES & TABLES

*TE 96% UPFLOW FURNACE			
CABINET SIZE	DIM. "A"	DIM. "B"	DIM. "C"
'B' Cabinet	17 1/2	15 7/8	16 1/8
'C' Cabinet	21	19 3/8	19 5/8
'D' Cabinet	24 1/2	22 7/8	23 1/8

NOTE: Dimensions shown in inches.



*TN 96% DOWNFLOW FURNACE			
CABINET SIZE	DIM. "A"	DIM. "B"	DIM. "C"
'B' Cabinet	17 1/2	15 7/8	16 1/8
'C' Cabinet	21	19 3/8	19 5/8
'D' Cabinet	24 1/2	22 7/8	23 1/8

NOTE: Dimensions shown in inches.

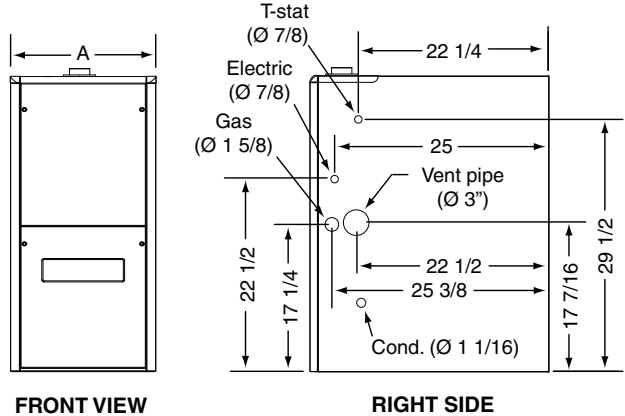
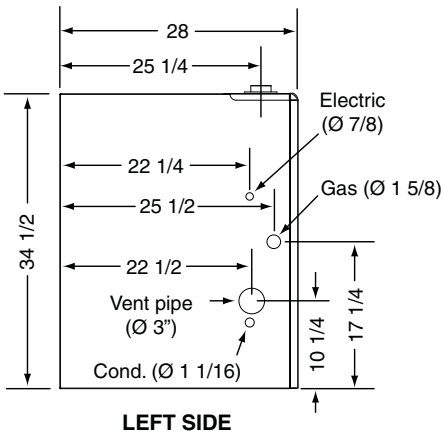
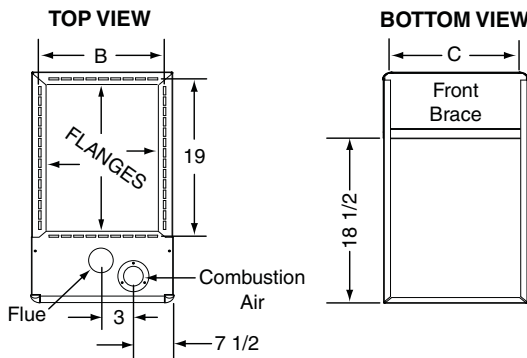


Figure 26. *TE & *TN Cabinet Dimensions

Airflow Data

*TE / *TN FURNACES WITH FIXED SPEED BLOWERS																					
MODEL NUMBER & HEATING INPUT (BTUH)	MOTOR SWITCH SETTINGS (0 = OFF, 1 = ON)				EXTERNAL STATIC PRESSURE (IN.W.C.)																
					0.1		0.2		0.3		0.4		0.5		0.6		0.7		0.8		
	1/5	2/6	3/7	4/8	CFM	RISE	CFM	RISE	CFM	RISE	CFM	RISE	CFM	RISE	CFM	RISE	CFM	RISE	CFM	RISE	
*TE / *TN - 060D - 24B (60,000 BTUH) TEMPERATURE RISE 30° F TO 60° F	0	0	0	0	—	—	—	—	—	—	—	—	—	—	—	—	—	—	—	—	
	1	0	0	0	—	—	—	—	—	—	—	—	—	—	—	—	—	—	—	—	
	0	1	0	0	—	—	—	—	—	—	—	—	—	—	—	—	—	—	—	—	
	1	1	0	0	725	—	—	—	—	—	—	—	—	—	—	—	—	—	—	—	—
	0	0	1	0	810	—	—	—	—	—	—	—	—	—	—	—	—	—	—	—	—
	1	0	1	0	940	57	890	60	845	—	795	—	750	—	700	—	—	—	—	—	—
	0	1	1	0	990	54	945	56	905	59	860	—	820	—	775	—	735	—	690	—	—
	1	1	1	0	1,055	51	1,015	53	970	55	930	57	890	60	845	—	805	—	760	—	—
	0	0	0	1	1,135	47	1,095	49	1,055	51	1,010	53	960	56	930	57	890	60	850	—	—
	1	0	0	1	1,185	45	1,145	47	1,105	48	1,065	50	1,030	52	990	54	950	56	910	59	—
	0	1	0	1	1,250	43	1,210	44	1,170	46	1,135	47	1,095	49	1,055	51	1,020	52	980	54	—
	1	1	0	1	1,290	41	1,255	42	1,220	44	1,180	45	1,145	47	1,110	48	1,075	50	1,040	51	—
	0	0	1	1	1,315	41	1,275	42	1,240	43	1,200	44	1,160	46	1,120	48	1,085	49	1,045	51	—
	1	0	1	1	1,350	40	1,315	41	1,280	42	1,245	43	1,205	44	1,170	46	1,135	47	1,100	48	—
	0	1	1	1	1,390	38	1,350	40	1,315	41	1,275	42	1,240	43	1,200	44	1,160	46	1,125	47	—
1	1	1	1	1,420	38	1,380	39	1,345	40	1,310	41	1,270	42	1,235	43	1,200	44	1,160	46	—	
*TE / *TN - 80D - 35C (80,000 BTUH) TEMPERATURE RISE 35° F TO 65° F	0	0	0	0	1,125	63	1,040	—	960	—	880	—	795	—	—	—	—	—	—	—	
	1	0	0	0	1,205	59	1,120	63	1,040	—	960	—	875	—	795	—	—	—	—	—	
	0	1	0	0	1,305	54	1,225	58	1,150	62	1,070	—	995	—	915	—	840	—	—	—	
	1	1	0	0	1,430	50	1,350	53	1,270	56	1,190	60	1,110	63	1,030	—	950	—	865	—	—
	0	0	1	0	1,525	47	1,450	49	1,375	52	1,300	55	1,225	57	1,150	62	1,075	66	1,000	—	—
	1	0	1	0	1,620	44	1,540	46	1,465	49	1,390	51	1,315	54	1,240	57	1,165	61	1,090	65	—
	0	1	1	0	1,695	42	1,620	44	1,545	46	1,465	49	1,390	51	1,315	54	1,235	58	1,160	61	—
	1	1	1	0	1,770	40	1,700	42	1,630	44	1,555	46	1,485	47	1,410	50	1,340	53	1,265	56	—
	0	0	0	1	1,875	38	1,805	39	1,730	41	1,655	43	1,580	45	1,510	47	1,435	50	1,340	53	—
	1	0	0	1	1,905	37	1,840	39	1,775	40	1,710	42	1,640	43	1,575	45	1,510	47	1,445	49	—
	0	1	0	1	1,980	36	1,910	37	1,845	39	1,780	40	1,715	41	1,650	43	1,580	45	1,515	47	—
	1	1	0	1	2,025	35	1,960	36	1,895	38	1,830	39	1,765	40	1,700	42	1,635	43	1,570	45	—
	0	0	1	1	2,085	—	2,025	35	1,960	36	1,900	37	1,840	38	1,775	40	1,715	41	1,655	43	—
	1	0	1	1	2,135	—	2,070	—	2,010	35	1,945	37	1,880	37	1,815	39	1,750	41	1,685	42	—
	0	1	1	1	2,200	—	2,145	—	2,090	—	2,035	35	1,980	36	1,925	37	1,870	38	1,820	39	—
1	1	1	1	2,280	—	2,225	—	2,170	—	2,115	—	2,065	—	2,010	—	1,955	36	1,900	37	—	

NOTES:

1. Motor Switch Settings are for heating speeds using HEAT switches 1, 2, 3, & 4 and cooling speeds using COOL switches 5, 6, 7, & 8.
2. Two openings are required for airflows above 1,600 CFM if the filter(s) is (are) adjacent to the furnace.
3. Data is shown without filter.
4. Temperature rises in the table are approximate. Actual temperature rises may vary
5. Cells shaded in gray indicate a temperature rise outside of the recommended range.
6. When in low stage, the circulating airflow is 70% of the tables high value (2-stage furnaces only).

Table 6. *TE / *TN Heating / Cooling Airflows (CFM) & Temperature Rises (°F)

*TE / *TN FURNACES WITH FIXED SPEED BLOWERS																					
MODEL NUMBER & HEATING INPUT (BTUH)	MOTOR SWITCH SETTINGS (0 = OFF, 1 = ON)				EXTERNAL STATIC PRESSURE (IN.W.C.)																
					0.1		0.2		0.3		0.4		0.5		0.6		0.7		0.8		
	1/5	2/6	3/7	4/8	CFM	RISE	CFM	RISE	CFM	RISE	CFM	RISE	CFM	RISE	CFM	RISE	CFM	RISE	CFM	RISE	
*TE / *TN - 100D - 35C (100,000 BTUH) TEMPERATURE RISE 35° F TO 65° F	0	0	0	0	1,125	—	1,040	—	—	—	—	—	—	—	—	—	—	—	—	—	—
	1	0	0	0	1,205	—	1,120	—	1,040	—	—	—	—	—	—	—	—	—	—	—	—
	0	1	0	0	1,305	—	1,225	—	1,150	—	1,070	—	995	—	—	—	—	—	—	—	—
	1	1	0	0	1,430	62	1,350	66	1,270	—	1,190	—	1,110	—	1,030	—	—	—	—	—	—
	0	0	1	0	1,525	58	1,450	61	1,375	65	1,300	—	1,225	—	1,150	—	1,075	—	1,000	—	—
	1	0	1	0	1,620	55	1,540	58	1,465	61	1,390	64	1,315	—	1,240	—	1,165	—	1,090	—	—
	0	1	1	0	1,695	52	1,620	55	1,545	58	1,465	61	1,390	64	1,315	—	1,235	—	1,160	—	—
	1	1	1	0	1,770	50	1,700	52	1,630	55	1,555	57	1,485	60	1,410	63	1,340	—	1,265	—	—
	0	0	0	1	1,875	47	1,805	49	1,730	51	1,655	54	1,580	56	1,510	59	1,435	62	1,340	—	—
	1	0	0	1	1,905	47	1,840	48	1,775	50	1,710	52	1,640	54	1,575	56	1,510	59	1,445	62	—
	0	1	0	1	1,980	45	1,910	47	1,845	48	1,780	50	1,715	52	1,650	54	1,580	56	1,515	59	—
	1	1	0	1	2,025	44	1,960	45	1,895	47	1,830	49	1,765	50	1,700	52	1,635	54	1,570	57	—
	0	0	1	1	2,085	43	2,025	44	1,960	45	1,900	47	1,840	48	1,775	50	1,715	52	1,655	54	—
	1	0	1	1	2,135	42	2,070	43	2,010	44	1,945	46	1,880	47	1,815	49	1,750	51	1,685	53	—
	0	1	1	1	2,200	40	2,145	41	2,090	43	2,035	44	1,980	45	1,925	46	1,870	48	1,820	49	—
	1	1	1	1	2,280	39	2,225	40	2,170	41	2,115	42	2,065	43	2,010	44	1,955	45	1,900	47	—
*TE / *TN - 115D - 45D (115,000 BTUH) TEMPERATURE RISE 40° F TO 70° F	0	0	0	0	1,395	—	1,350	—	1,305	—	1,260	—	1,210	—	1,165	—	1,120	—	—	—	—
	1	0	0	0	1,465	—	1,420	—	1,375	—	1,330	—	1,290	—	1,245	—	1,200	—	1,155	—	—
	0	1	0	0	1,555	66	1,510	68	1,470	—	1,425	—	1,380	—	1,340	—	1,295	—	1,250	—	—
	1	1	0	0	1,625	63	1,585	64	1,540	66	1,500	68	1,460	—	1,415	—	1,375	—	1,335	—	—
	0	0	1	0	1,690	60	1,650	62	1,610	63	1,570	65	1,530	67	1,485	—	1,445	—	1,405	—	—
	1	0	1	0	1,760	58	1,715	60	1,670	61	1,625	63	1,575	65	1,530	67	1,485	—	1,440	—	—
	0	1	1	0	1,835	56	1,790	57	1,745	59	1,695	60	1,650	62	1,605	64	1,555	66	1,510	68	—
	1	1	1	0	1,885	54	1,840	56	1,790	57	1,745	59	1,700	60	1,655	62	1,610	63	1,565	65	—
	0	0	0	1	1,945	53	1,900	54	1,850	55	1,805	57	1,760	58	1,710	60	1,665	61	1,620	63	—
	1	0	0	1	1,950	52	1,905	54	1,860	55	1,820	56	1,775	58	1,735	59	1,690	60	1,650	62	—
	0	1	0	1	2,075	49	2,030	50	1,990	51	1,945	53	1,900	54	1,855	55	1,810	56	1,770	58	—
	1	1	0	1	2,125	48	2,085	49	2,040	50	2,000	51	1,955	52	1,910	54	1,870	55	1,825	56	—
	0	0	1	1	2,170	47	2,130	48	2,090	49	2,045	50	2,005	51	1,965	52	1,925	53	1,880	54	—
	1	0	1	1	2,215	46	2,180	47	2,140	48	2,105	49	2,070	49	2,035	50	2,000	51	1,965	52	—
	0	1	1	1	—	—	—	—	—	—	—	—	2,225	46	2,165	47	2,100	49	2,040	50	—
	1	1	1	1	—	—	—	—	—	—	—	—	—	—	2,170	47	2,120	48	2,065	50	—

NOTES:

1. Motor Switch Settings are for heating speeds using HEAT switches 1, 2, 3, & 4 and cooling speeds using COOL switches 5, 6, 7, & 8.
2. Two openings are required for airflows above 1,600 CFM if the filter(s) is (are) adjacent to the furnace.
3. Data is shown without filter.
4. Temperature rises in the table are approximate. Actual temperature rises may vary
5. Cells shaded in gray indicate a temperature rise outside of the recommended range.
6. When in low stage, the circulating airflow is 70% of the tables high value (2-stage furnaces only).

Table 6. Continued

*TE / *TN FURNACES WITH VARIABLE SPEED BLOWERS								
"B" CABINET RISE 30° F TO 60° F	SWITCH SETTINGS FOR HEAT (0 = OFF, 1 = ON)				*TE / *TN - 060D - VB INPUT (BTU) 60,000			
	1	2	3	4	CFM	TEMP RISE (° F)		
	1	0	0	0	1,000	53		
	1	0	0	1	1,100	48		
	1	0	1	0	1,200	44		
	1	0	1	1	1,300	41		
	1	1	0	0	1,400	38		
	1	1	0	1	1,500	35		
	1	1	1	0	1,600	—		
1	1	1	1	1,700	—			
"C" CABINET RISE 35° F TO 65° F	SWITCH SETTINGS FOR HEAT (0 = OFF, 1 = ON)				*TE / *TN - 080D - VC INPUT (BTU) 80,000		*TE / *TN - 100D - VC INPUT (BTU) 100,000	
	1	2	3	4	CFM	TEMP RISE (° F)	CFM	TEMP RISE (° F)
	#	0	0	0	1,000	—	1,000	—
	#	0	0	1	1,115	63	1,115	—
	#	0	1	0	1,230	57	1,230	—
	#	0	1	1	1,345	52	1,345	65
	#	1	0	0	1,460	48	1,460	60
	#	1	0	1	1,575	45	1,575	56
	#	1	1	0	1,690	42	1,690	52
#	1	1	1	1,805	39	1,805	49	
"D" CABINET RISE 40° F TO 70° F	SWITCH SETTINGS FOR HEAT (0 = OFF, 1 = ON)				*TE / *TN - 115D - VD INPUT (BTU) 115,000			
	1	2	3	4	CFM	TEMP RISE (° F)		
	#	0	0	0	1,500	68		
	#	0	0	1	1,615	63		
	#	0	1	0	1,730	59		
	#	0	1	1	1,845	55		
	#	1	0	0	1,960	52		
	#	1	0	1	2,075	49		
	#	1	1	0	2,190	46		
#	1	1	1	2,305	44			

NOTES:

1. Two openings are recommended for airflows above 1,600 CFM if the filter(s) is (are) adjacent to the furnace.
2. Temperature rises in the table are approximate. Actual temperature rises may vary.
3. Temperature rises shaded in grey are for reference only. These conditions are not recommended.
4. Switch not used- can be 0 or 1.

**Table 7. *TE / *TN Nominal Heating Airflows (CFM) & Temperature Rises (° F)
for Variable Speed Furnaces**

*TE / *TN FURNACES WITH VARIABLE SPEED BLOWERS							
"B" CABINET							
SWITCH SETTINGS (0 = OFF, 1 = ON)					CFM		NOMINAL A/C & HP CAPACITY
HEAT		COOL			LOW	HIGH	
1-4	5	6	7	8			
1	0	0	0	0	470	700	3.5 TON 3 TON 2.5 TON 2 TON
1	0	0	0	1	510	760	
1	0	0	1	0	550	820	
1	0	0	1	1	590	880	
1	0	1	0	0	630	940	
1	0	1	0	1	670	1000	
1	0	1	1	0	710	1060	
1	0	1	1	1	750	1120	
1	1	0	0	0	790	1180	
1	1	0	0	1	830	1240	
1	1	0	1	0	870	1300	
1	1	0	1	1	910	1360	
1	1	1	0	0	950	1420	
1	1	1	0	1	990	1480	
1	1	1	1	0	1030	1540	
1	1	1	1	1	1070	1600	

"C" CABINET							
SWITCH SETTINGS (0 = OFF, 1 = ON)					CFM		NOMINAL A/C & HP CAPACITY
HEAT		COOL			LOW	HIGH	
1-4	5	6	7	8			
#	0	0	0	0	685	1025	5 TON 4 TON 3.5 TON 3 TON 2.5 TON
#	0	0	0	1	730	1090	
#	0	0	1	0	775	1155	
#	0	0	1	1	815	1220	
#	0	1	0	0	860	1285	
#	0	1	0	1	905	1350	
#	0	1	1	0	950	1415	
#	0	1	1	1	990	1480	
#	1	0	0	0	1035	1545	
#	1	0	0	1	1080	1610	
#	1	0	1	0	1120	1675	
#	1	0	1	1	1165	1740	
#	1	1	0	0	1210	1805	
#	1	1	0	1	1255	1870	
#	1	1	1	0	1295	1935	
#	1	1	1	1	1340	2000	

"D" CABINET							
SWITCH SETTINGS (0 = OFF, 1 = ON)					CFM		NOMINAL A/C & HP CAPACITY
HEAT		COOL			LOW	HIGH	
1-4	5	6	7	8			
#	0	0	0	0	940	1400	5 TON 4 TON 3.5 TON
#	0	0	0	1	965	1440	
#	0	0	1	0	990	1480	
#	0	0	1	1	1020	1520	
#	0	1	0	0	1045	1560	
#	0	1	0	1	1070	1600	
#	0	1	1	0	1100	1640	
#	0	1	1	1	1125	1680	
#	1	0	0	0	1150	1720	
#	1	0	0	1	1180	1760	
#	1	0	1	0	1205	1800	
#	1	0	1	1	1235	1840	
#	1	1	0	0	1260	1880	
#	1	1	0	1	1285	1920	
#	1	1	1	0	1315	1960	
#	1	1	1	1	1340	2000	

Switch not used - can be 0 or 1

Switch not used - can be 0 or 1

Table 8. *TE / *TN Nominal Cooling / Heat Pump Airflows (CFM) for Variable Speed Furnaces

Gas Information

GAS FLOW RATES (CUBIC FEET PER HOUR)			
TIME FOR ONE REVOLUTION (SECONDS)	CUBIC FEET PER REVOLUTION OF GAS METER		
	1	5	10
10	360	1,800	3,600
12	300	1,500	3,000
14	257	1,286	2,571
16	225	1,125	2,250
18	200	1,000	2,000
20	180	900	1,800
22	164	818	1,636
24	150	750	1,500
26	138	692	1,385
28	129	643	1,286
30	120	600	1,200
32	113	563	1,125
34	106	529	1,059
36	100	500	1,000
38	95	474	947
40	90	450	900
42	86	429	857
44	82	409	818
46	78	391	783
48	75	375	750
50	72	360	720
52	69	346	692
54	67	333	667
56	64	321	643
58	62	310	621
60	60	300	600
62	58	290	581
64	56	281	563

GAS FLOW RATES (CUBIC FEET PER HOUR)			
TIME FOR ONE REVOLUTION (SECONDS)	CUBIC FEET PER REVOLUTION OF GAS METER		
	1	5	10
66	55	273	545
68	53	265	529
70	51	257	514
72	50	250	500
74	49	243	486
76	47	237	474
78	46	231	462
80	45	225	450
82	44	220	439
84	43	214	429
86	42	209	419
88	41	205	409
90	40	200	400
92	39	196	391
94	38	191	383
96	38	188	375
98	37	184	367
100	36	180	360
102	35	176	353
104	35	173	346
106	34	170	340
108	33	167	333
110	33	164	327
112	32	161	321
114	32	158	316
116	31	155	310
118	31	153	305
120	30	150	300

Table 9. Gas Flow Rates

CAPACITY OF BLACK IRON GAS PIPE (CU. FT. PER HOUR) FOR NATURAL GAS W/ SPECIFIC GRAVITY = 0.60								
NOMINAL PIPE DIAMETER (IN.)	LENGTH OF PIPE RUN (FEET)							
	10	20	30	40	50	60	70	80
1/2	130	90	75	65	55	50	45	40
3/4	280	190	150	130	115	105	95	90
1	520	350	285	245	215	195	180	170
1 1/4	1,050	730	590	500	440	400	370	350
1 1/2	1,600	1,100	890	760	670	610		

$$\text{Cubic Feet Per Hour Required} = \frac{\text{Input To Furnace (Btu/hr)}}{\text{Heating Value of Gas (Btu/Cu. Ft.)}}$$

NOTE:

The cubic feet per hour listed in the table above must be greater than the cubic feet per hour of gas flow required by the furnace. To determine the cubic feet per hour of gas flow required by the furnace, divide the input rate of the furnace by the heating value (from gas supplier) of the gas.

Table 10. Gas Pipe Capacities

HIGH ALTITUDE DERATION – PROPANE GAS									
ALTITUDE ABOVE SEA LEVEL	INPUT (BTU) & STAGE								
	60,000		80,000		100,000		115,000		
	1ST	2ND	1ST	2ND	1ST	2ND	1ST	2ND	
0 to 1,999 FT	55		55		55		55		ORIFICE SIZE
	4.2	10.0	4.2	10.0	4.2	10.0	4.2	10.0	MANIFOLD PRESSURE
2,000 to 2,999 FT	55		55		55		55		ORIFICE SIZE
	4.2	9.0	4.2	9.0	4.2	9.0	4.2	9.0	MANIFOLD PRESSURE
3,000 to 4,999 FT	55		55		55		55		ORIFICE SIZE
	4.2	8.5	4.2	8.5	4.2	8.5	4.2	8.5	MANIFOLD PRESSURE
5,000 to 5,999 FT	56		56		56		56		ORIFICE SIZE
	4.2	10.0	4.2	10.0	4.2	10.0	4.2	10.0	MANIFOLD PRESSURE
6,000 to 7,999 FT	56		56		56		56		ORIFICE SIZE
	4.2	9.0	4.2	9.0	4.2	9.0	4.2	9.0	MANIFOLD PRESSURE
8,000 to 10,000 FT	56		56		56		56		ORIFICE SIZE
	4.2	8.5	4.2	8.5	4.2	8.5	4.2	8.5	MANIFOLD PRESSURE

Table 11. High Altitude Deration - Propane Gas

LOCAL HEATING VALUES FOR NATURAL GAS									
ALTITUDE ABOVE SEA LEVEL	BTU PER CUBIC FOOT								
	650	700	750	800	850	900	950	1,000	1,050
2,000 FT	LOW	LOW	LOW	LOW	LOW	LOW	HIGH	HIGH	HIGH
3,000 FT	LOW	LOW	LOW	LOW	LOW	LOW	HIGH	HIGH	HIGH
4,000 FT	LOW	LOW	LOW	LOW	LOW	HIGH	HIGH	HIGH	HIGH
5,000 FT	LOW	LOW	LOW	LOW	LOW	HIGH	HIGH	HIGH	HIGH
6,000 FT	LOW	LOW	LOW	LOW	HIGH	HIGH	HIGH	HIGH	HIGH
7,000 FT	LOW	LOW	LOW	LOW	HIGH	HIGH	HIGH	HIGH	HIGH
8,000 FT	LOW	LOW	LOW	HIGH	HIGH	HIGH	HIGH	HIGH	HIGH
9,000 FT	LOW	LOW	LOW	HIGH	HIGH	HIGH	HIGH	HIGH	HIGH
10,000 FT	LOW	LOW	HIGH	HIGH	HIGH	HIGH	HIGH	HIGH	HIGH

Table 12. Natural Gas Heating Values

HIGH ALTITUDE DERATION – NATURAL GAS WITH HIGH HEATING VALUE									
ALTITUDE ABOVE SEA LEVEL	INPUT (BTU) & STAGE								
	60,000		80,000		100,000		115,000		
	1ST	2ND	1ST	2ND	1ST	2ND	1ST	2ND	
0 to 1,999 FT	45		45		45		46		ORIFICE SIZE
	1.7	3.5	1.7	3.5	1.7	3.5	1.7	3.5	MANIFOLD PRESSURE
2,000 to 2,999 FT	45		45		45		46		ORIFICE SIZE
	1.7	3.3	1.7	3.3	1.7	3.3	1.7	3.3	MANIFOLD PRESSURE
3,000 to 3,999 FT	45		45		45		46		ORIFICE SIZE
	1.7	3.1	1.7	3.1	1.7	3.1	1.7	3.1	MANIFOLD PRESSURE
4,000 to 4,999 FT	45		45		45		46		ORIFICE SIZE
	1.7	2.9	1.7	2.9	1.7	2.9	1.7	2.9	MANIFOLD PRESSURE
5,000 to 5,999 FT	45		45		45		46		ORIFICE SIZE
	1.7	2.8	1.7	2.8	1.7	2.8	1.7	2.8	MANIFOLD PRESSURE
6,000 to 6,999 FT	48		48		48		48		ORIFICE SIZE
	1.7	3.5	1.7	3.5	1.7	3.5	1.7	3.5	MANIFOLD PRESSURE
7,000 to 7,999 FT	48		48		48		48		ORIFICE SIZE
	1.7	3.3	1.7	3.3	1.7	3.3	1.7	3.3	MANIFOLD PRESSURE
8,000 to 8,999 FT	48		48		48		48		ORIFICE SIZE
	1.7	3.0	1.7	3.0	1.7	3.0	1.7	3.0	MANIFOLD PRESSURE
9,000 to 9,999 FT	48		48		48		48		ORIFICE SIZE
	1.7	2.8	1.7	2.8	1.7	2.8	1.7	2.8	MANIFOLD PRESSURE

Table 13. High Altitude Deration - Natural Gas with HIGH Heating Value

HIGH ALTITUDE DERATION – NATURAL GAS WITH LOW HEATING VALUE)									
ALTITUDE ABOVE SEA LEVEL	INPUT (BTU) & STAGE								
	60,000		80,000		100,000		115,000		
	1ST	2ND	1ST	2ND	1ST	2ND	1ST	2ND	
0 to 1,999 FT	45		45		45		46		ORIFICE SIZE
	1.7	3.5	1.7	3.5	1.7	3.5	1.7	3.5	MANIFOLD PRESSURE
2,000 to 2,999 FT	45		45		45		46		ORIFICE SIZE
	1.7	3.5	1.7	3.5	1.7	3.5	1.7	3.5	MANIFOLD PRESSURE
3,000 to 3,999 FT	45		45		45		46		ORIFICE SIZE
	1.7	3.4	1.7	3.4	1.7	3.4	1.7	3.4	MANIFOLD PRESSURE
4,000 to 4,999 FT	45		45		45		46		ORIFICE SIZE
	1.7	3.2	1.7	3.2	1.7	3.2	1.7	3.2	MANIFOLD PRESSURE
5,000 to 5,999 FT	45		45		45		46		ORIFICE SIZE
	1.7	3.1	1.7	3.1	1.7	3.1	1.7	3.1	MANIFOLD PRESSURE
6,000 to 6,999 FT	45		45		45		46		ORIFICE SIZE
	1.7	2.9	1.7	2.9	1.7	2.9	1.7	2.9	MANIFOLD PRESSURE
7,000 to 7,999 FT	48		48		48		48		ORIFICE SIZE
	1.7	3.5	1.7	3.5	1.7	3.5	1.7	3.5	MANIFOLD PRESSURE
8,000 to 8,999 FT	48		48		48		48		ORIFICE SIZE
	1.7	3.3	1.7	3.3	1.7	3.3	1.7	3.3	MANIFOLD PRESSURE
9,000 to 9,999 FT	48		48		48		48		ORIFICE SIZE
	1.7	3.1	1.7	3.1	1.7	3.1	1.7	3.1	MANIFOLD PRESSURE

Table 14. High Altitude Deration - Natural Gas with LOW Heating Value

Electrical Information

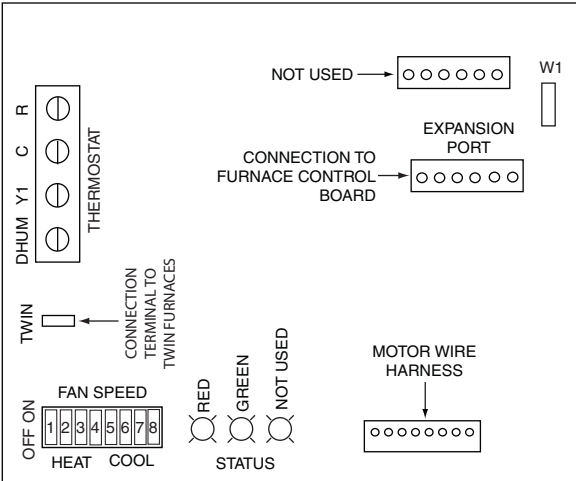


Figure 27. Two-Stage Fixed Speed Motor Control Board

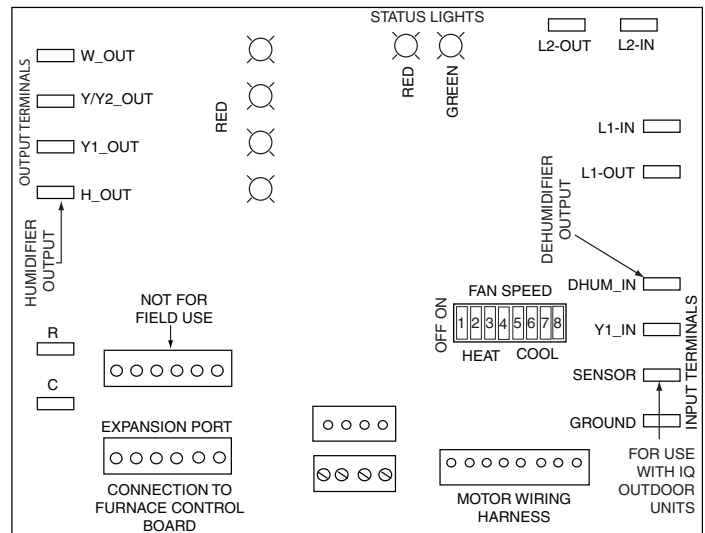


Figure 28. Two-Stage Variable Speed Motor Control Board

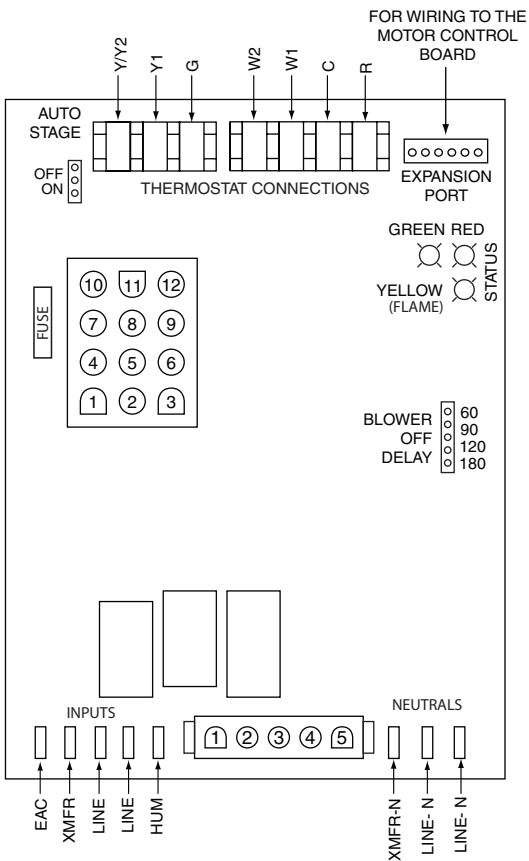


Figure 29. Two-Stage Furnace Control Board

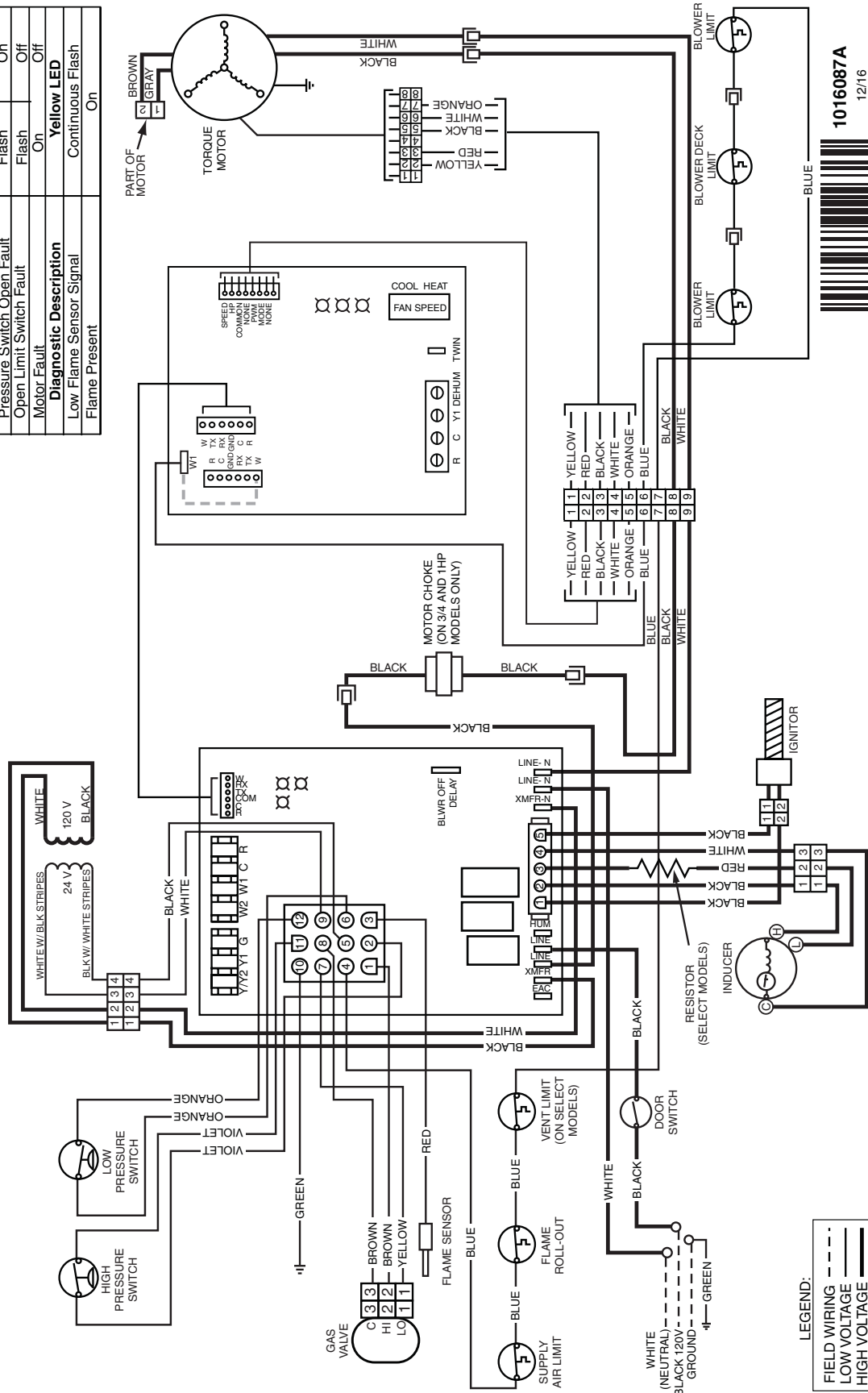
WIRING DIAGRAM

For 80+ and 90+ 2-Stage Fixed Speed Downflow Furnaces

Refer to the installation instructions provided with the kit for the proper heating and cooling speeds for your application. This wiring diagram shows connections and termination required for the blower kit only. Use in addition to the wiring diagram for the furnace.

Use copper conductors only.

FAULT CONDITIONS		
Diagnostic Description	Green LED	Red LED
Control Fault (No Power)	Off	Off
L1 / Neutral Polarity Fault	Flash	Flash
1 Hour Lockout	Alternating Flash	Alternating Flash
Normal Operation	On	On
Pressure Switch Closed Fault	On	Flash
Pressure Switch Open Fault	Flash	On
Open Limit Switch Fault	Flash	Off
Motor Fault	On	Off
Diagnostic Description		
Low Flame Sensor Signal	On	Yellow LED
Flame Present	On	Continuous Flash



1016087A
12/16

Figure 31. Wiring Diagram for Two-Stage, Fixed Speed Downflow Furnaces

WIRING DIAGRAM

For 80+ and 90+ 2-Stage Variable Speed Upflow Furnaces

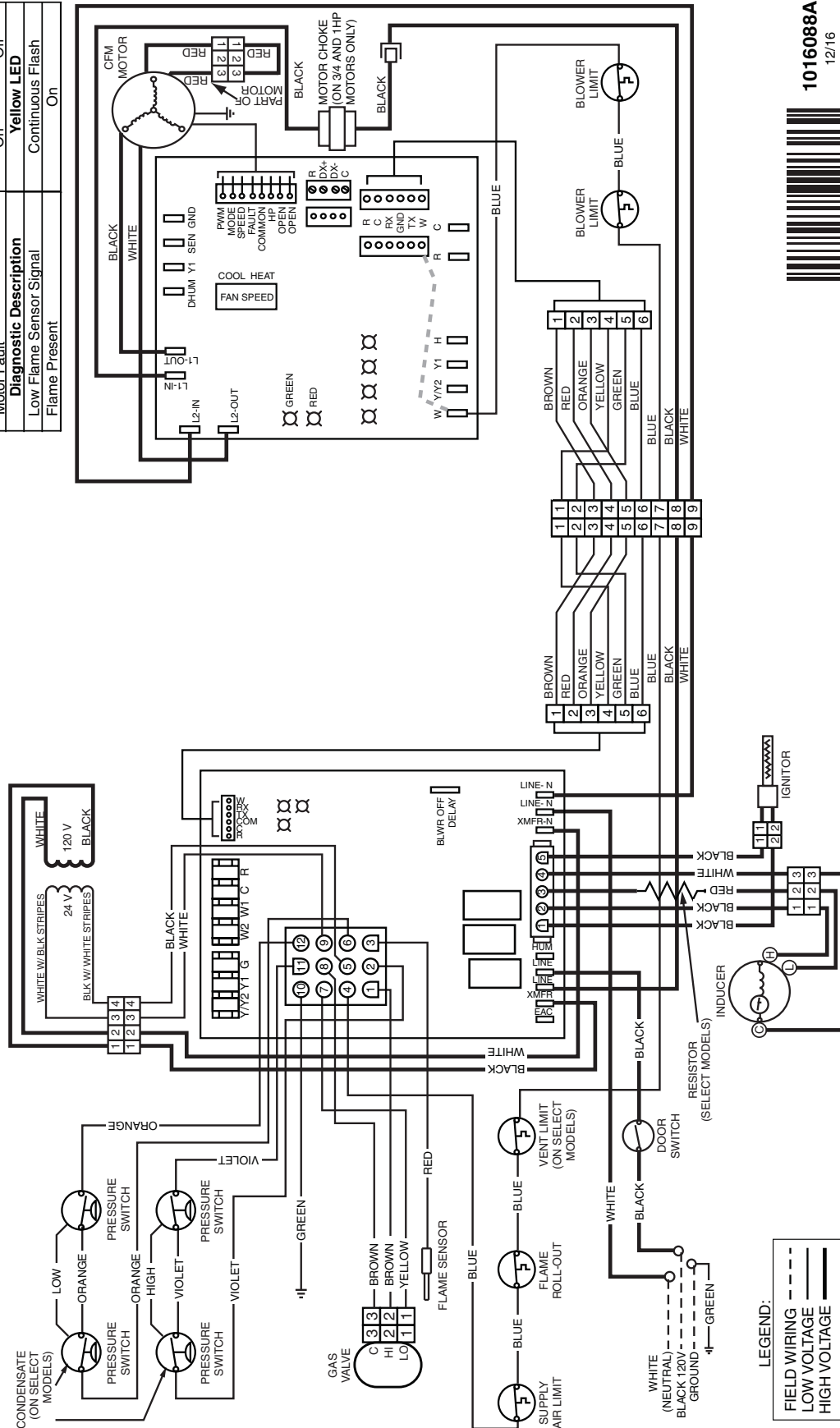
Refer to the Installation Instructions provided with the kit for the proper heating and cooling speeds for your application.

This wiring diagram shows connections and termination required for the blower kit only. Use in addition to the wiring diagram for the furnace.

If any of the original wire as supplied with the furnace must be replaced, it must be replaced with wiring material having a temperature rating of at least 105° C.

Use copper conductors only.

FAULT CONDITIONS		
Diagnostic Description	Green LED	Red LED
Control Fault (No Power)	Off	Off
L1 / Neutral Polarity Fault	Flash	Flash
1 Hour Lockout	Alternating Flash	
Normal Operation	On	On
Pressure Switch Closed Fault	On	Flash
Pressure Switch Open Fault	Flash	On
Open Limit Switch Fault	Flash	Off
Motor Fault	On	Off
Diagnostic Description	Yellow LED	
Low Flame Sensor Signal	Continuous Flash	
Flame Present	On	



LEGEND:
 FIELD WIRING
 LOW VOLTAGE
 HIGH VOLTAGE

1016088A
 12/16

Figure 32. Wiring Diagram for Two-Stage, Variable Speed Upflow Furnaces

WIRING DIAGRAM

For 80+ and 90+ 2-Stage Variable Speed Downflow Furnaces

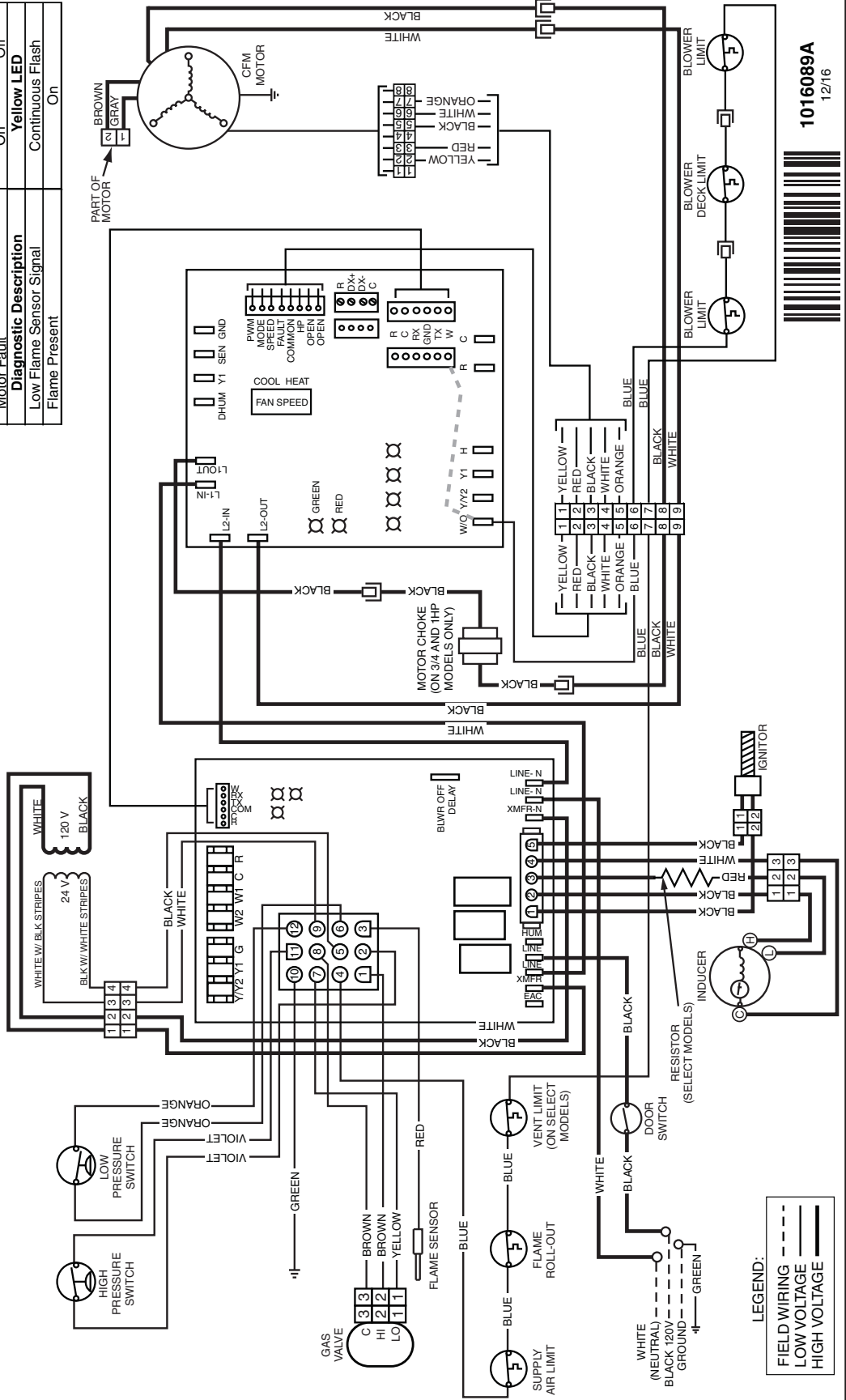
Refer to the Installation Instructions provided with the kit for the proper heating and cooling speeds for your application.

This wiring diagram shows connections and termination required for the blower kit only. Use in addition to the wiring diagram for the furnace.

If any of the original wire as supplied with the furnace must be replaced, it must be replaced with wiring material having a temperature rating of at least 105° C.

Use copper conductors only.

FAULT CONDITIONS			
Diagnostic Description	Green LED	Red LED	
Control Fault (No Power)	Off	Off	
L1 / Neutral Polarity Fault	Flash	Flash	
1 Hour Lockout	Alternating Flash	Flash	
Normal Operation	On	On	
Pressure Switch Closed Fault	On	Flash	
Pressure Switch Open Fault	Flash	On	
Open Limit Switch Fault	Flash	Off	
Motor Fault	On	Off	
Yellow LED			
Low Flame Sensor Signal	Continuous Flash		
Flame Present	On		

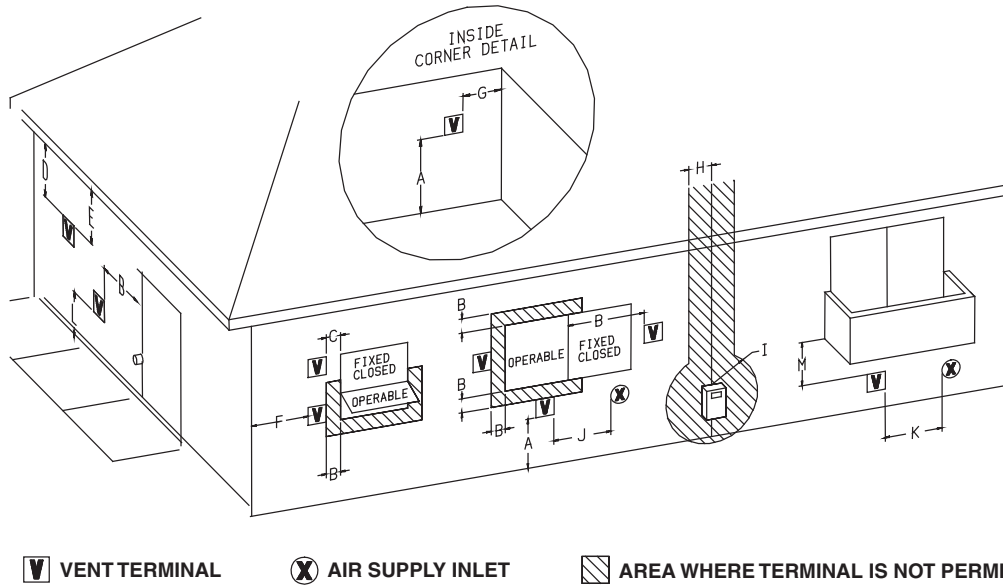


1016089A
12/16



Figure 33. Wiring Diagram for Two-Stage, Variable Speed Downflow Furnaces

Venting Information



CLEARANCE LOCATION	CANADIAN INSTALLATIONS ^A	US INSTALLATIONS ^B	
	DIRECT VENT (2-PIPE) & CONVENTIONAL VENT (1-PIPE) FURNACES	DIRECT VENT (2-PIPE) FURNACES	CONVENTIONAL VENT (1-PIPE) FURNACES
A = Clearance above grade, veranda, porch, deck, balcony, or maximum expected snow level.	12 inches (30cm)	12 inches (30cm)	12 inches (30cm)
B = Clearance to window or door that may be opened.	6 inches (15cm) for appliances < 10,000 Btuh (3kW) 12 inches (30cm) for appliances 10,000 Btuh - 100,000 Btuh (30kW) 36 inches (91cm) for appliances > 100,000 Btuh (30Kw)	6 inches (15cm) for appliances < 10,000 Btuh (3kW) 9 inches (23cm) for appliances 10,000 Btuh - 50,000 Btuh (30kW) 12 inches (30cm) for appliances > 50,000 Btuh (30Kw)	4 ft. (1.2m) below or to side of opening; 1 ft. (300mm) above opening
C = Clearance to permanently closed window	*	*	*
D = Vertical clearance to ventilated soffit located above the terminal within a horizontal distance of 2 feet (61cm) from the center line of the terminal.	*	*	*
E = Clearance to unventilated soffit.	*	*	*
F = Clearance to outside corner.	*	*	*
G = Clearance to inside corner.	*	*	*
H = Clearance to each side of center line extended above meter/regulator assembly.	3 feet (91cm) within a height 15 feet above the meter/regulator assembly	*	*
I = Clearance to service regulator vent outlet.	3 feet (1.83m)	*	*
J = Clearance to non-mechanical air supply inlet to building or the combustion air inlet to any other appliance.	6 inches (15cm) for appliances < 10,000 Btuh (3kW) 12 inches (30cm) for appliances 10,000 Btuh - 100,000 Btuh (30kW) 36 inches (91cm) for appliances > 100,000 Btuh (30Kw)	6 inches (15cm) for appliances < 10,000 Btuh (3kW) 9 inches (23cm) for appliances 10,000 Btuh - 50,000 Btuh (30kW) 12 inches (30cm) for appliances > 50,000 Btuh (30Kw)	4 ft. (1.2m) below or to side of opening; 1 ft. (300mm) above opening
K = Clearance to mechanical air supply inlet.	6 feet (1.83m)	3 feet (91cm) above if within 10 feet (3m) horizontally	3 ft. (91cm) above if within 10 feet (3m) horizontally
L = Clearance above paved sidewalk or driveway located on public property.	7 feet (2.13m) ^c	*	7 ft. (2.13m)
M = Clearance under veranda, porch, deck, or balcony.	12 inches (30cm) ^d	*	*

a: In accordance with the current CSA B149.1 Natural Gas and Propane Installation Guide Code

b: In accordance with the current ANSI Z223.1 / NFPA 54 Natural Fuel Gas Code

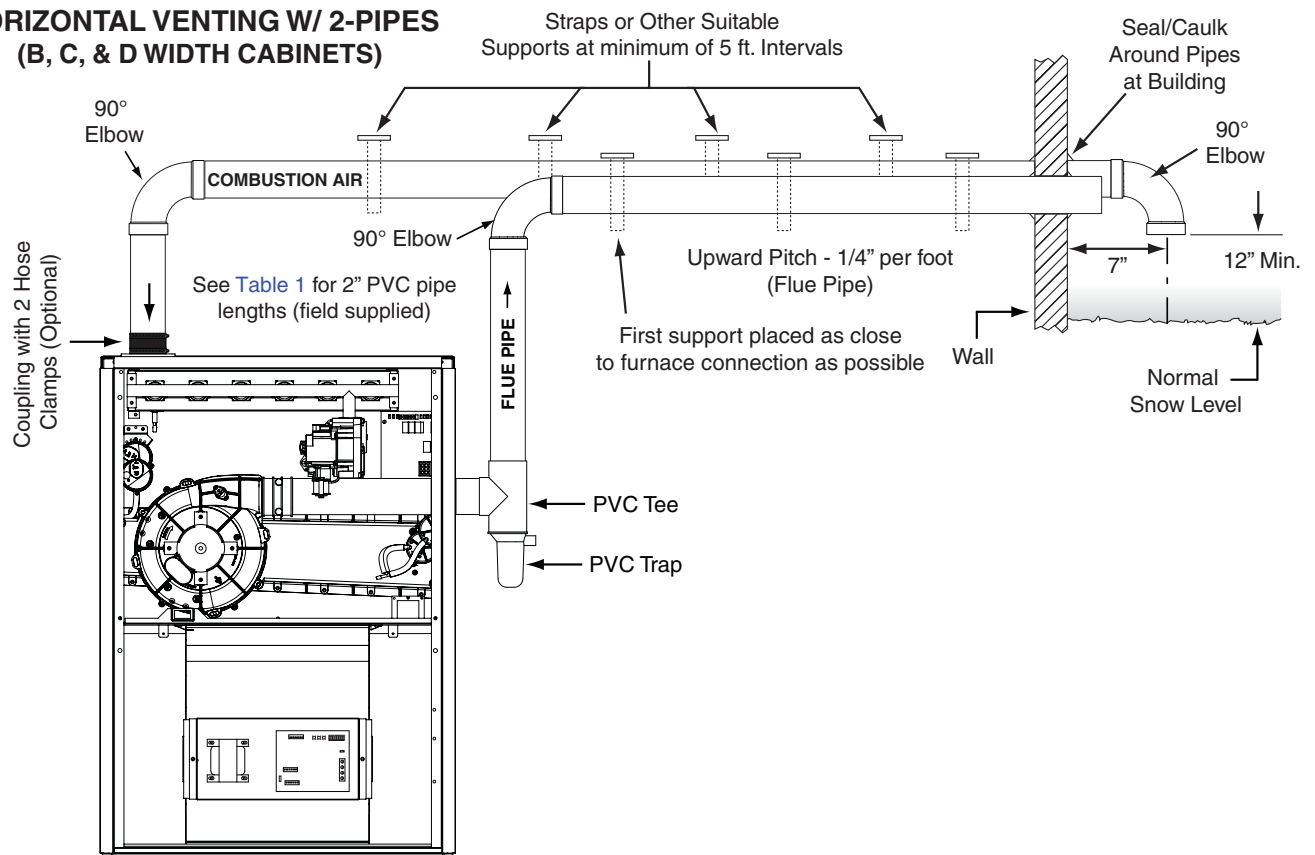
c: A vent shall not terminate directly above a sidewalk or paved driveway that is located between two single family dwellings and serves both dwellings.

d: Permitted only if veranda, porch, deck, or balcony is fully open on a minimum of two sides beneath the floor.

* For clearances not specified in ANSI Z223.1 / NFPA 54 or CSA B149.1, the following statement shall be included: "Clearance in accordance with local installation codes, and the requirements of the gas supplier and the manufacturers installation instructions"

Table 15. Vent Termination Clearances

HORIZONTAL VENTING W/ 2-PIPES (B, C, & D WIDTH CABINETS)



VERTICAL VENTING W/ 2-PIPES (B, C, & D WIDTH CABINETS)

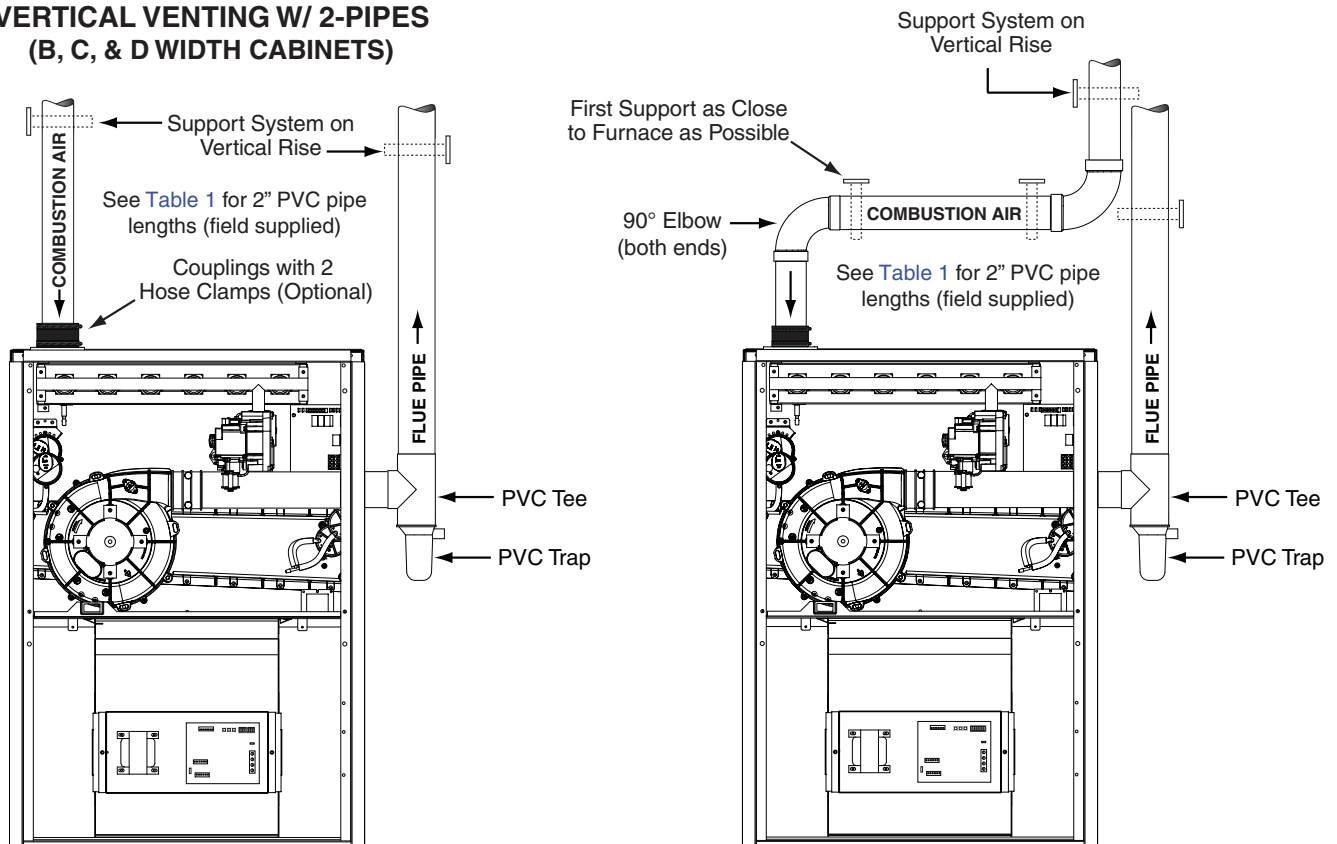
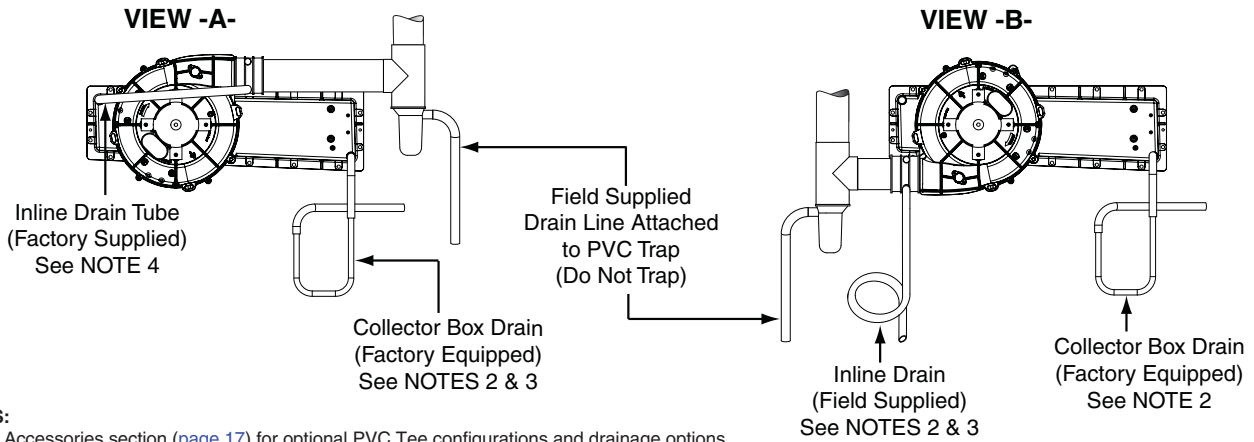
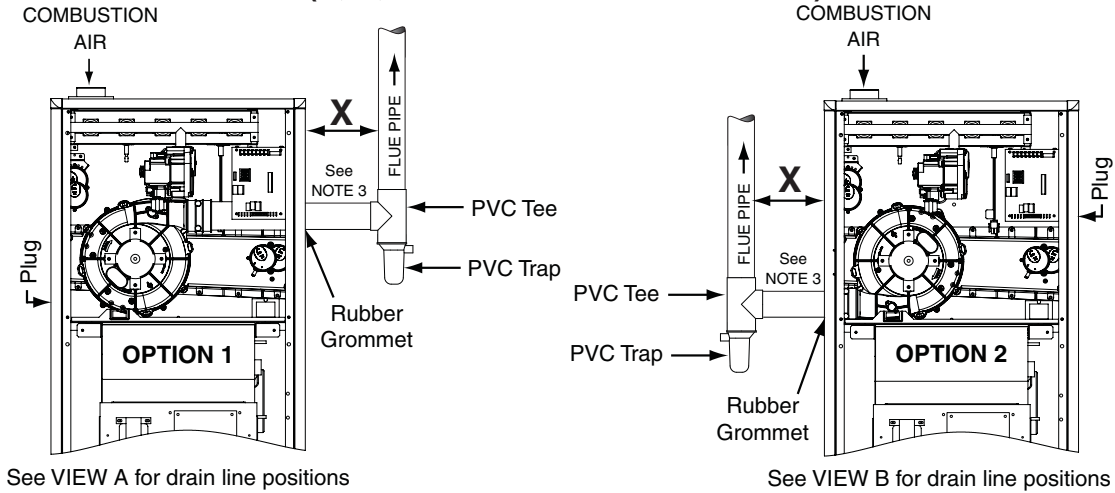


Figure 34. Horizontal & Vertical Venting (B, C, & D Width Cabinets)

UPFLOW - 1 PIPE OPTIONS (B, C, & D WIDTH CABINETS ONLY)



NOTES:

1. See Accessories section (page 17) for optional PVC Tee configurations and drainage options.
2. Drain tube must be trapped with a J-Trap or field supplied loop and drained externally from the cabinet. Traps may be positioned inside or outside the cabinet.
3. Inline drain is required only if "X" is greater than 6 feet.
4. Tubing needs to be cut to length and attached during unit installation.
5. Horizontal piping from inducer to flue pipe must be sloped 1/4" per foot to ensure drainage to PVC trap.

UPFLOW - 2 PIPE OPTIONS (B, C, & D WIDTH CABINETS ONLY)

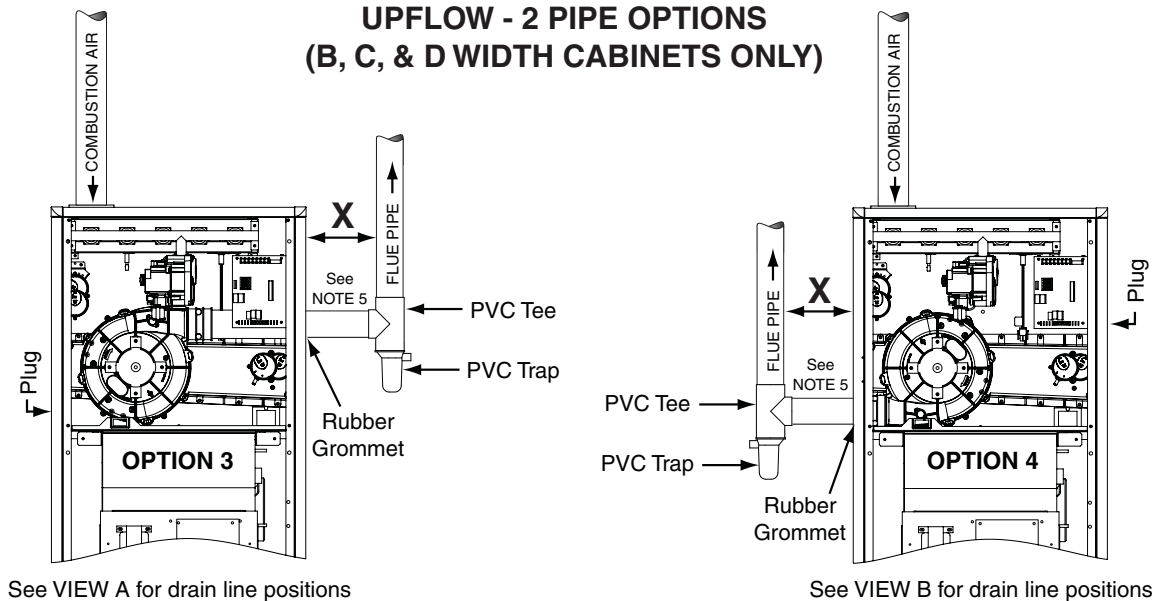
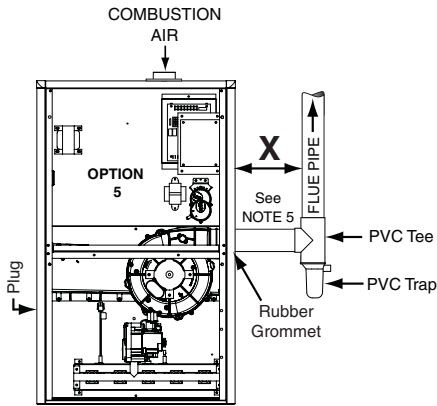
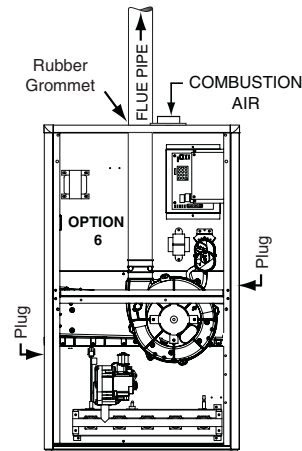


Figure 35. Upflow Venting Options (B, C, & D Width Cabinets)

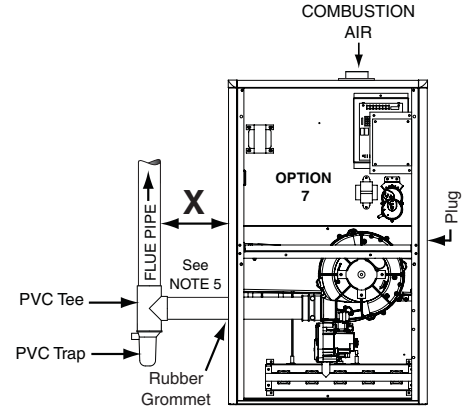
DOWNFLOW - 1 PIPE OPTIONS (B, C, & D WIDTH CABINETS ONLY)



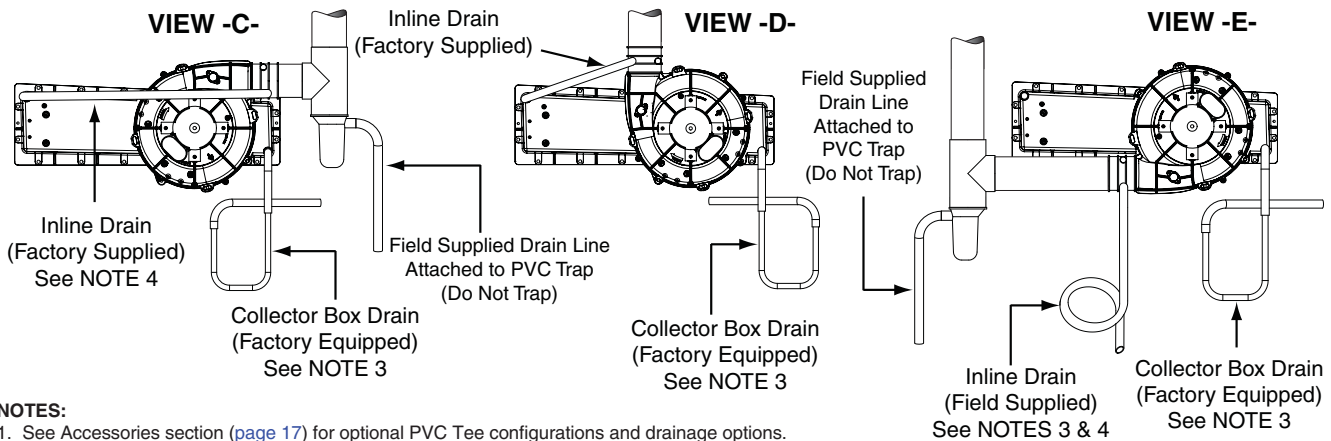
See VIEW C for drain line positions



See VIEW D for drain line positions



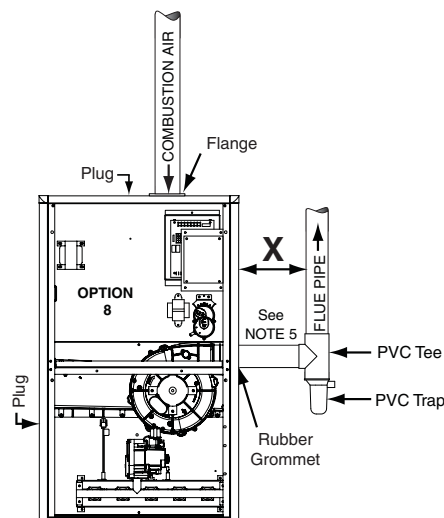
See VIEW E for drain line positions



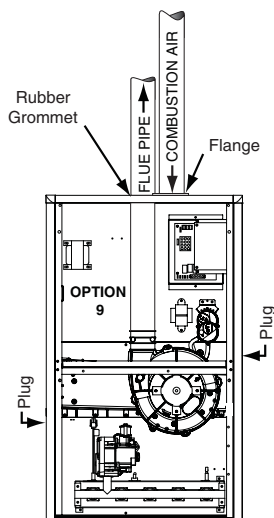
NOTES:

1. See Accessories section (page 17) for optional PVC Tee configurations and drainage options.
2. Drain line traps may be positioned inside or outside the cabinet.
3. All drain lines must be trapped with J-Trap or field supplied loop and drained externally from the cabinet.
4. Inline drain is required only if "X" is greater than 6 feet.
5. Horizontal piping from inducer to flue pipe must be sloped 1/4" per foot to ensure drainage to PVC trap.

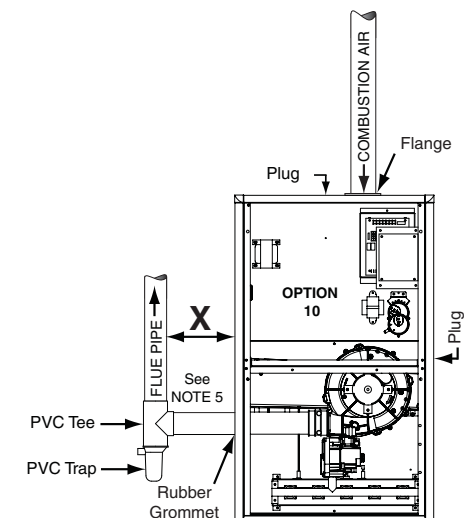
DOWNFLOW - 2 PIPE OPTIONS (B, C, & D WIDTH CABINETS ONLY)



See VIEW C for drain line positions



See VIEW D for drain line positions



See VIEW E for drain line positions

Figure 36. Downflow Options

TROUBLESHOOTING

If the furnace fails to operate check the following:

- Is the thermostat operating properly?
- Are the blower compartment door(s) in place?
- Is the furnace disconnect closed?
- Has the circuit breaker tripped or the control board fuse burned open?
- Is the gas turned on?
- Are any manual reset switches open?
- Is the filter dirty or plugged?
- Is the flame sensor coated? (Remove and clean with steel wool. **Do not use emery cloth or sandpaper!**)
- Are all the LED's on the furnace and motor control boards constantly ON? If not, refer to [Table 16](#) & [Table 17](#) or the wiring diagrams: ([Figure 30](#) (page 39), [Figure 31](#) (page 40), [Figure 32](#) (page 41), & [Figure 33](#) (page 42)) to determine fault condition.

IMPORTANT NOTE

The furnace will lock out after 5 failed attempts for ignition and will try again every hour if the call for heat remains.

- If the Inducer Blower is operating, and items above have been verified, check the Blower Limit Switch and reset if necessary. See [Figure 37](#) (page 48).
- If the furnace operates when the Blower Limit Switch is reset, contact a qualified service technician to identify and repair the problem.

DIAGNOSTIC DESCRIPTION	GREEN LED	RED LED
Control Fault (No Power)	Off	Off
L1/Neutral Polarity Fault	Flash	Flash
1 Hour Lockout	Alternating Flash	
Normal Operation	On	On
Pressure Switch Closed Fault	On	Flash
Pressure Switch Open Fault	Flash	On
Open Limit Switch Fault	Flash	Off
Motor Fault	On	Off
DIAGNOSTIC DESCRIPTION	YELLOW LED	
Low Flame Sensor Signal	Continuous Flash	
Flame Present	On	

Table 16. Furnace Control Board Fault Conditions

	DIAGNOSTIC DESCRIPTION	GREEN LED	RED LED
Fixed Speed Furnaces	Control Fault (No Power)	Off	Off
	Normal Operation	On	On
	Motor Fault	On	Flash
	Twin Fault (no motor fault)	Flash	On
	Communications Fault	Flash	Flash
Variable Speed Furnaces	Control Fault (No Power)	Off	Off
	Normal Operation	On	On
	Motor Fault	On	Flash
	Communications Fault	Flash	Flash

Table 17. Motor Control Board Fault Conditions

- If the furnace still doesn't operate, check the Flame Roll-out Switches ([Figure 37](#)) and reset if necessary.
- If the furnace operates when the Flame Rollout Switch is reset, contact a qualified service technician to identify and repair the problem.

FURNACE COMPONENTS

The descriptions below are various functional components that affect the operation and shutting down of this furnace. Some of these components and their locations are shown in [Figure 37](#) (page 48). If any component of the furnace must be replaced, use only factory authorized replacement parts specified in the Replacement Parts List provided online.

Blower Limit Switch - Prevents operation when blower is not operational.

Condensate Drain Switch - The Condensate Drain Switch will shut down the furnace if the condensate drain from the Collector Pan becomes clogged.

Flame Sensor - Verifies when a flame has carried over from the igniter to the opposite end burner. If no flame is detected, the furnace will shut down within 4 seconds.

Flame Roll-Out Switch - Verifies that the burner flames are drawn into the heat exchanger tubes. If the burner flames are not properly drawn into the heat exchanger, the flame roll-out switch will close the gas valve and initiate the shutdown cycle.

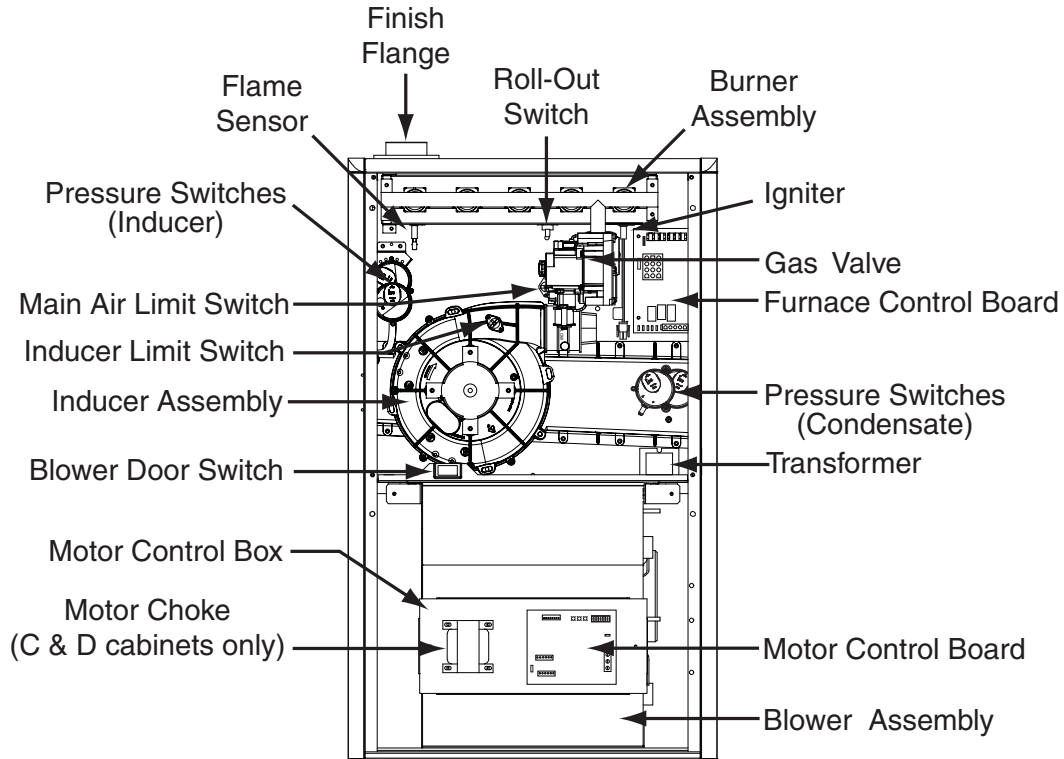
Gas Valve - Controls the flow of gas to the burners. When the gas valve is energized it automatically opens and regulates the gas pressure in the manifold.

Inducer Assembly - Vents products of combustion to the outside.

Pressure Switches - Verifies that the inducer is drawing the combustion gases through the heat exchanger. The pressure switch prevents furnace operation with excessive flue / condensate blockage or improper inducer operation.

Supply Air Limit Switch - Prevents the air temperature leaving the furnace from exceeding the maximum allowable outlet air temperature.

UPFLOW FURNACE (*TE SERIES)



DOWNFLOW FURNACE (*TN SERIES)

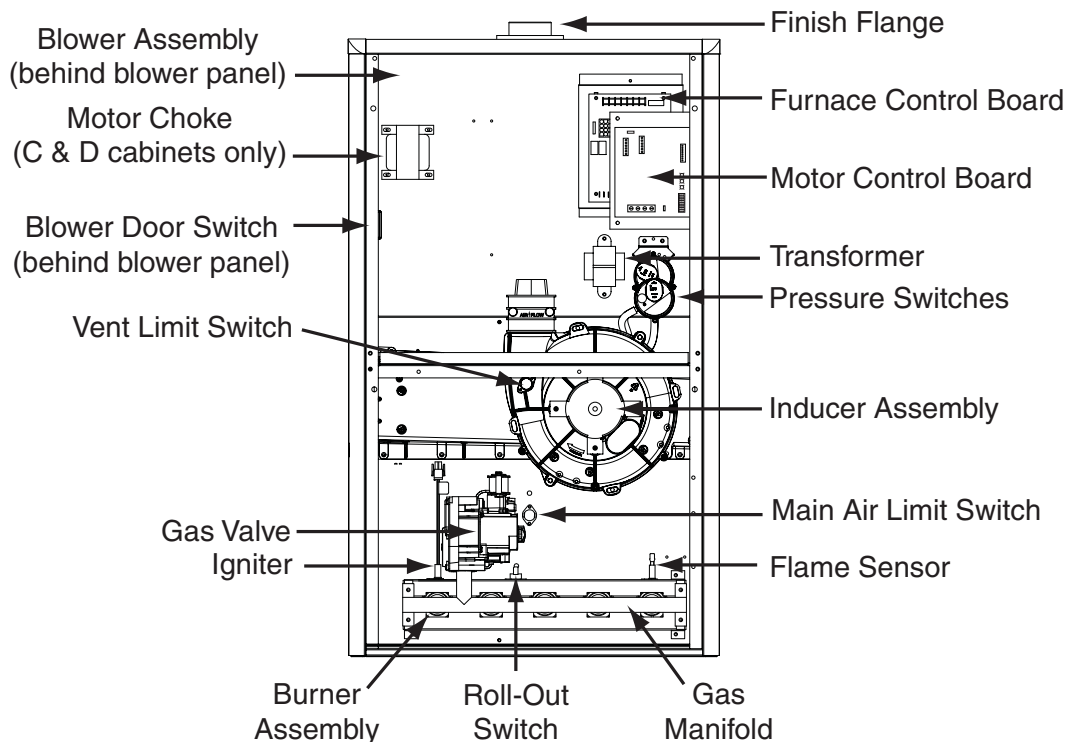


Figure 37. Component Locations

NOTICE D'INSTALLATION



Générateur d'air chaud à flux ascendant *TE



*Générateur d'air chaud à flux descendant *TN

▲ AVERTISSEMENT

RISQUE D'INCENDIE OU D'EXPLOSION

- Le non-respect des avertissements de sécurité pourrait entraîner des blessures graves ou des dommages matériels.
- L'installation et l'entretien doivent être effectués par un installateur qualifié, un organisme de service ou le fournisseur de gaz.
- Ne pas entreposer ni utiliser de l'essence ni d'autres vapeurs ou liquides inflammables dans le voisinage de cet appareil, ni de tout autre appareil.

QUE FAIRE S'IL Y A UNE ODEUR DE GAZ

- Ne tenter d'allumer aucun appareil.
- Ne toucher à aucun interrupteur électrique; n'utiliser aucun téléphone dans le bâtiment.
- Évacuer l'immeuble immédiatement.
- Appeler immédiatement le fournisseur de gaz en employant le téléphone d'un voisin. Respecter les instructions du fournisseur de gaz.
- Si personne ne répond, appeler le service des incendies.

TABLEAU DES MATIÈRES

RENSEIGNEMENTS IMPORTANTS SUR LA SÉCURITÉ	3	Conversion du gaz naturel au gaz propane (GPL).....	22
EXIGENCES ET CODES	4	CÂBLAGE ÉLECTRIQUE	23
Qualité de l'air de combustion	5	Câblage de tension de ligne	23
Charge de chauffage	5	Mise à la terre	23
Installation dans un garage	5	Thermostat/Raccordements basse tension	23
Dégagements aux matériaux combustibles	6	Conditionneur d'air à un étage et thermostat à un étage	24
Utilisation du générateur d'air chaud pendant des travaux de construction	6	Conditionneur d'air à un étage et thermostat à deux étages ..	24
EXIGENCES RELATIVES À L'AIR DE COMBUSTION ET		Conditionneur d'air à deux étages et thermostat à deux étages.....	24
À LA VENTILATION	7	Autorégulation pour thermostats à un étage	25
Systèmes à évacuation directe	8	Autorégulation pour thermostats à deux étages	25
Système à évacuation classique – Espaces confinés ..	8	Configuration de vitesse du souffleur.....	25
Air de l'intérieur	8	Applications à souffleur à vitesse fixe	25
Air extérieur provenant d'un vide sanitaire ou d'un comble ventilé	8	Applications à souffleur à vitesse variable	25
Air extérieur avec conduits verticaux.....	8	Options de déshumidification	25
Air extérieur avec conduits horizontaux.....	9	Anticipateur de chaleur.....	26
Air traversant directement un mur extérieur	9	DÉMARRAGE ET RÉGLAGES	26
Autre méthode d'alimentation de l'air depuis l'extérieur:.....	10	Liste de contrôle avant démarrage.....	26
Système à évacuation classique – Espaces non confinés 10		Procédures de démarrage.....	26
Ventilation de catégorie IV.....	10	Vérification et réglage du débit calorifique	26
Matériau du conduit d'évent	11	Vérification et réglage de la hausse température.....	27
Longueur et diamètre du conduit d'évent.....	11	Vérification du fonctionnement du brûleur.....	27
Installation du conduit d'évent	11	SÉQUENCE DE FONCTIONNEMENT	28
Terminaisons extérieures – Évent horizontal.....	12	Cycle de chauffage.....	28
Terminaisons extérieures – Évent vertical.....	13	Cycle de refroidissement.....	28
Protection contre le gel du conduit d'évent	13	Mode ventilateur	28
Installations existantes	13	ENTRETIEN	28
Élimination du condensat	13	FIGURES ET TABLEAUX	30
EXIGENCES RELATIVES À L'AIR CIRCULANT	14	Figure 26. Dimensions des armoires *TE et *TN	30
Plénums et conduits d'air	14	Données sur le débit d'air	31
Raccordements d'air de reprise	14	Tableau 6. Débit d'air de chauffage/refroidissement (pi ³ /min) et hausses de température (°F) *TE/*TN.....	31
Générateurs d'air chaud et à flux ascendant.....	14	Tableau 7. Débits d'air de chauffage nominaux (pi ³ /min) et hausses de température (°F) *TE/*TN pour générateurs d'air chaud à vitesse variable	33
Générateurs d'air chaud à flux descendant.....	15	Tableau 8. Débits d'air de pompe de chauffage/refroidissement nominaux (pi ³ /min) *TE/*TN pour générateurs d'air chaud à vitesse variable	34
Raccordements d'air d'alimentation	15	Renseignements sur le gaz	35
Traitements acoustiques	15	Table 9. Débits de gaz	35
INSTALLATION DU GÉNÉRATEUR D'AIR CHAUD	15	Table 10. Capacités du conduit de gaz	35
Exigences générales	15	Tableau 11. Déclassement pour altitude élevée – Gaz propane	36
Générateurs d'air chaud à flux ascendant.....	15	Tableau 12. Valeurs de chauffage du gaz naturel.....	36
Générateurs d'air chaud à flux descendant	16	Tableau 13. Déclassement pour altitude élevée – Gaz naturel avec valeur calorifique ÉLEVÉE	37
Installation sur une dalle de béton.....	16	Tableau 14. Déclassement pour altitude élevée – Gaz naturel avec valeur calorifique FAIBLE	37
Options d'inducteur et de ventilation	16	Renseignements électriques	38
Rotation de l'ensemble inducteur.....	17	Figure 27. Tableau de commande de moteur à vitesse fixe à deux étages	38
Tube de pressostat	17	Figure 29. Tableau de commande de générateur d'air chaud à deux étages	38
Accessoires	17	Figure 28. Tableau de commande de moteur à vitesse variable à deux étages	38
Bride de finition.....	17	Figure 30. Schéma de câblage pour générateur d'air chaud à flux ascendant, vitesse fixe et deux étages	39
Passe-fils en caoutchouc.....	17		
Composants en PVC.....	18		
Orientation typique.....	18		
Autre orientation	18		
Conduites d'écoulement de condensat	19		
Désassemblage du panneau inférieur	19		
Autre méthode de désassemblage du panneau inférieur.....	19		
ALIMENTATION EN GAZ ET TUYAUTERIE	20		
Essai d'étanchéité	20		
Utilisation à haute altitude (gaz naturel seulement)	20		

Figure 31. Schéma de câblage pour générateur d'air chaud à flux descendant, vitesse fixe et deux étages	40
Figure 32. Schéma de câblage pour générateur d'air chaud à flux ascendant, vitesse variable et deux étages	41
Figure 33. Schéma de câblage pour générateur d'air chaud à flux descendant, vitesse variable et deux étages	42
Renseignements sur la ventilation	43
Tableau 15. Dégagements de terminaison d'évent	43
Figure 34. Ventilation horizontale et ventilation verticale (cabinets de largeur B, C et D)	44
Figure 35. Options de ventilation à flux ascendant (armoires de largeur B, C et D)	45
Figure 36. Options à flux descendant	46
DIAGNOSTIC DE DÉFAILLANCES	47
Tableau 16. Défectuosités du tableau de commande du générateur d'air chaud	47
Tableau 17. Défectuosités du tableau de commande de moteur	47
COMPOSANTS DU GÉNÉRATEUR D'AIR CHAUD	47
Figure 37. Emplacement des composants	48
LISTE DE VÉRIFICATION DE L'INSTALLATION	51

RENSEIGNEMENTS IMPORTANTS SUR LA SÉCURITÉ

INSTALLATEUR : Veuillez lire toutes les instructions avant d'entretenir cet équipement. Prêter attention à tous les avertissements de sécurité et toute autre remarque spéciale donnée dans le manuel. Des symboles de sécurité sont fréquemment utilisés dans l'ensemble de ce manuel pour désigner un degré ou un niveau de gravité et ne doivent pas être ignorés.

AVERTISSEMENT – Indique une situation potentiellement dangereuse qui, si elle n'est pas évitée, peut occasionner des blessures ou la mort.

MISE EN GARDE – Indique une situation potentiellement dangereuse qui, si elle n'est pas évitée, peut occasionner des blessures mineures ou modérées, ou des dommages matériels.

AVERTISSEMENT:

Les renseignements de sécurité indiqués dans le présent manuel doivent être respectés pendant l'installation, l'entretien et le fonctionnement de cet appareil. Les personnes non qualifiées ne doivent pas tenter d'interpréter ces instructions ou d'installer cet équipement. Le non-respect des recommandations de sécurité peut causer des dommages à l'équipement ou des blessures graves, voire mortelles.

AVERTISSEMENT:

À moins d'indication contraire dans ces instructions, on peut utiliser uniquement des trousseaux ou des accessoires autorisés avec ce produit ou pour modifier ce produit.

AVERTISSEMENT:

L'installation, la réparation, le réglage ou l'entretien inapproprié peut causer des explosions, un incendie, une décharge électrique ou tout autre condition dangereuse qui peut entraîner des blessures ou des dommages matériels. À moins d'indication contraire dans ces instructions, on peut utiliser uniquement des trousseaux ou des accessoires autorisés avec ce produit.

AVERTISSEMENT:

Ne pas installer ce générateur d'air chaud si l'une de ses pièces a été immergée dans de l'eau. Un générateur d'air chaud endommagé par une inondation est extrêmement dangereux. Toute tentative d'utiliser le générateur d'air chaud peut entraîner un incendie ou une explosion. Il faut communiquer avec un organisme de service qualifié pour l'inspection du générateur d'air chaud et le remplacement de toutes pièces électriques ou parties du système de commande qui ont été mouillées ou immergées.

- Pour réduire les risques de défaillance d'équipement ou de blessures, il est essentiel que seules des personnes qualifiées installent, réparent ou entretiennent cet équipement. Si vous ne possédez pas les compétences mécaniques ou les outils, communiquez avec le détaillant de votre région pour obtenir de l'assistance.
- Respecter toutes les mises en garde qui figurent dans les documents et sur les insignes et étiquettes de l'appareil. Lire et comprendre à fond les instructions qui accompagnent l'appareil avant de commencer l'installation et la vérification du fonctionnement de l'appareil.
- Manipuler cet appareil ou retirer des composants avec soin. Les arêtes vives en métal présentes sur tout appareil fabriqué en tôle peuvent causer des blessures.
- Ne pas ranger l'un des éléments ci-dessous sur ou en contact avec l'appareil : chiffons, balais, aspirateurs ou tout autre outil de nettoyage, bouteilles aérosol, savon en poudre, javellisant, cires, détergents, plastiques ou contenants plastiques, sacs de papier ou tout autre produit en papier, essence, kérosène, essence à briquet, liquides de nettoyage à sec, diluants ou tout autre liquide volatil.
- L'installateur doit se familiariser avec le schéma de câblage de l'appareil avant d'effectuer tout branchement électrique sur l'appareil. Voir les Figure 30 (page 39), Figure 31 (page 40), Figure 32 (page 41) et Figure 33 (page 42) ou l'étiquette de câblage de l'appareil.
- Toujours reposer les portes sur le générateur d'air chaud après l'intervention. **Ne pas faire fonctionner le générateur d'air chaud sans que toutes les portes et les couvercles soient en place.**

EXIGENCES ET CODES

AVERTISSEMENT :

Les renseignements de sécurité indiqués ci-dessous doivent être respectés pendant l'installation, l'entretien et le fonctionnement de ce générateur d'air chaud. Le non-respect des recommandations de sécurité peut causer des dommages à l'équipement ou des blessures graves, voire mortelles.

- Ce générateur d'air chaud doit être installé conformément avec ces instructions, avec les codes du bâtiment local applicable et la révision actuelle du National Fuel Gas Code (NFPA54/ANSI Z223.1) ou du Code d'installation relatif au gaz naturel et au propane, CAN/CSA B149.1.
- Utiliser uniquement le type de gaz approuvé pour ce générateur d'air chaud. Consulter la plaque signalétique du générateur d'air chaud.
- Installer ce générateur d'air chaud uniquement à un emplacement et dans une position conformes aux indications de la [page 6](#).
- Fournir de l'air de combustion et de l'air de ventilation appropriés pour l'espace du générateur d'air chaud comme indiqué aux [page 7](#), [page 8](#), [page 9](#), et [page 10](#).
- Prévoir des dégagements adéquats autour de la prise d'air de ventilation, comme indiqué aux [Figure 7 \(page 12\)](#), [Figure 8 \(page 12\)](#), [Figure 9 \(page 12\)](#) et [Figure 10 \(page 12\)](#).
- Les produits de la combustion doivent être évacués à l'extérieur. Raccorder ce générateur d'air chaud à un système d'évacuation homologué, comme indiqué aux [page 10](#), [page 11](#), [page 12](#) et [page 13](#).
- Ne jamais effectuer d'essai d'étanchéité des gaz avec une flamme nue. Utiliser une solution savonneuse vendue sur le marché pour vérifier tous les raccords. Consulter la [page 20](#).
- Ce générateur d'air chaud est conçu pour fonctionner avec une hausse de pression externe maximale de 0,5 pouces d'eau. Consulter les [Tableau 6 \(page 31\)](#), [Tableau 7 \(page 33\)](#) et [Tableau 8 \(page 34\)](#), ainsi que la plaque signalétique pour connaître le débit de circulation d'air et l'augmentation de température appropriés. Il est important que le réseau de conduit soit conçu pour fournir les débits et les hausses de pression externe appropriés. Un réseau de conduit mal conçu peut entraîner des arrêts intempestifs et des problèmes de confort ou de bruit.
- Lorsque les conduits d'alimentation transportent l'air provenant du générateur d'air chaud vers les zones à l'extérieur de l'espace contenant le générateur d'air chaud, l'air de reprise doit également circuler dans des conduits étanches au boîtier du générateur d'air chaud et terminer dans l'espace de conditionnement. Consulter la [page 14](#).
- Un générateur d'air chaud alimenté au gaz destiné à une installation dans un garage résidentiel doit être installé selon les indications de la [page 5](#).
- Ce four ne peut pas être utilisé pour le chauffage temporaire de bâtiments ou de structures en construction. Voir l'avertissement figurant à la [page 6](#).
- Ce générateur d'air chaud n'est pas homologué pour une installation dans une maison mobile. L'installation de ce générateur d'air chaud dans une maison mobile risque de causer un incendie, des dommages matériels ou des blessures.
- Le Commonwealth du Massachusetts exige la conformité aux réglementations 248 CMR 4.00 et 5.00 pour l'installation des appareils au gaz ventilés traversant un mur, de la façon suivante :

1. Pour les appareils à évacuation directe, les appareils de chauffage à ventilation mécanique ou les appareils d'eau chaude domestique, où la base de la terminaison d'évacuation et la prise d'air sont installées à moins de quatre pieds au-dessus du niveau du sol, il faut satisfaire les exigences suivantes:

- a.) Une alarme et un détecteur de monoxyde de carbone (CO) doivent être posés à chaque étage où il y a des chambres. Le détecteur doit être conforme à la norme NFPA 720 (édition 2005) et installé dans l'espace habité à l'extérieur des chambres.
- b.) Un détecteur de monoxyde de carbone (CO) doit être situé dans la salle où se trouve l'appareil ou l'équipement et doit :
 - Être alimenté par le même circuit électrique que l'appareil ou l'équipement. Un seul disjoncteur doit alimenter l'appareil et le détecteur de monoxyde de carbone (CO).
 - Être doté d'une pile d'alimentation de secours.
 - Être conforme aux normes ANSI/UL 2034 et NFPA 720 (édition 2005); approuvé et homologué par un laboratoire d'essais reconnu à l'échelle nationale, en vertu de la norme 527 CMR.
- c.) Il faut utiliser une terminaison d'évent approuvée pour le produit et, s'il y a lieu, il faut utiliser une prise d'air approuvée pour le produit. L'installation doit être réalisée en stricte conformité aux directives du fabricant. Il faut conserver une copie de la notice d'installation avec l'appareil ou l'équipement à la fin de l'installation.
- d.) Il faut poser une plaque signalétique en plastique ou en métal à l'extérieur du bâtiment, à quatre pieds directement au-dessus de l'emplacement de la terminaison d'évacuation. La plaque doit être suffisamment grande pour être facilement lue à une distance de huit pieds; elle doit porter l'inscription « Évacuation de gaz directe ci-dessous.

2. Pour les appareils à évacuation directe, les appareils de chauffage à ventilation mécanique ou les appareils d'eau chaude domestique, où la base de la terminaison d'évacuation et la prise d'air sont installées à plus de quatre pieds au-dessus du niveau du sol, il faut satisfaire les exigences suivantes :

- a.) Une alarme et un détecteur de monoxyde de carbone (CO) doivent être posés à chaque étage où il y a des chambres. Le détecteur doit être conforme à la norme NFPA 720 (édition 2005) et installé dans l'espace habité à l'extérieur des chambres.
- b.) Le détecteur de monoxyde de carbone (CO) doit :
 - Être situé dans la salle où se trouve l'appareil ou l'équipement.
 - Être alimenté par câble ou par pile, ou les deux.
 - Être conforme à la norme NFPA 720 (édition 2005).
- c.) Il faut utiliser une terminaison d'évent approuvée pour le produit et, s'il y a lieu, il faut utiliser une prise d'air approuvée pour le produit. L'installation doit être réalisée en stricte conformité aux directives du fabricant. Il faut conserver une copie de la notice d'installation avec l'appareil ou l'équipement à la fin de l'installation.

Les renseignements ci-dessous sont donnés à titre de référence seulement et n'ont pas nécessairement juridiction sur les codes locaux ou provinciaux. Toujours consulter les autorités compétentes locales avant d'installer un appareil alimenté au gaz.

Air de combustion et air de ventilation

- É.-U. : National Fuel Gas Code (NFGC), air pour la combustion et la ventilation
- CANADA : Codes d'installation relatif au gaz naturel et au propane (NSCNGPIC), système d'évacuation et alimentation d'air pour appareils

Réseaux de conduit

- É.-U. et CANADA : Manuel D de l'Air Conditioning Contractors Association (ACCA), Sheet Metal and Air Conditioning Contractors National Association (SMACNA), ou American Society of Heating, Refrigeration, et Air Conditioning Engineers (ASHRAE) Fundamentals Handbook

Branchements électriques

- É.-U. : Code d'électricité national (NEC) ANSI/NFPA 70
- CANADA : Code canadien de l'électricité CSA C22.1

Tuyauterie de gaz et essai de pression de conduit de gaz

- É.-U. : NFGC et Codes nationaux de la plomberie
- CANADA : NSCNGPIC

Installation générale

- É.-U. : Édition actuelle du code NFGC et norme NFPA 90B. Pour obtenir des exemplaires, communiquer avec la National Fire Protection Association Inc., Batterymarch Park, Quincy, MA 02269; ou avec l'American Gas Association, 400 N. Capitol, N.W., Washington DC 20001 ou à l'adresse www.NFPA.org
- CANADA : NSCNGPIC Pour obtenir un exemplaire, communiquer le groupe Ventes de normes, CSA International, 178, boulevard Rexdale, Etobicoke (Toronto), Ontario, M9W 1R3, Canada

Sécurité

- É.-U. : (NFGC) NFPA 54–1999/ANSI Z223.1 et les normes d'installation, Warm Air Heating and Air Conditioning Systems ANSI/NFPA 90B
- CANADA : Norme nationale du Canada CAN/CSA-B149.1 et .2–M00 (NSCNGPIC)

Qualité de l'air de combustion

MISE EN GARDE :

L'air de combustion ne doit pas provenir d'une atmosphère corrosive.

Pour maximiser la durée de vie de l'échange de chaleur, l'air de combustion doit être exempt de produits chimiques qui peuvent entraîner la formation de composés acides corrosifs dans les gaz de combustion. Il est recommandé d'utiliser l'air extérieur comme source d'air de combustion. Toutefois, l'utilisation de l'air intérieur dans la plupart des applications est acceptée, sauf dans les situations suivantes:

- Si le générateur d'air chaud est installé dans un espace confiné, l'air de combustion nécessaire doit provenir de l'extérieur par l'entremise d'un comble, d'un vide sanitaire, d'un conduit d'air ou d'une ouverture directe. Pour une installation dans des espaces confinés, consulter la [page 8](#) pour connaître les exigences relatives à l'air de combustion.
- Les installations réalisées dans ces emplacements peuvent nécessiter de l'air extérieur pour la combustion en raison de l'exposition aux produits chimiques:
 - Bâtiments commerciaux
 - Bâtiments avec piscines intérieures
 - Générateurs d'air chaud installés dans les buanderies
 - Générateurs d'air chaud installés dans des ateliers

Générateurs d'air chaud installés à proximité d'espaces d'entreposage de produits chimiques

- L'exposition aux substances suivantes dans l'alimentation en air de combustion peut nécessiter de l'air extérieur pour la combustion :

Solutions pour permanente
Cires ou produits nettoyants chlorés
Produits chimiques pour piscine à base de chlore
Produits chimiques adoucisseurs d'eau
Produits chimiques ou sels de déglaceage
Tétrachlorure de carbone
Frigorigènes halogénés
Solvants de nettoyage (perchloroéthylène)
Encre d'impression, décapants pour peinture, vernis, etc.
Acide chlorhydrique
Adhésifs et colles
Assouplissants antistatiques
Matériaux de lavage à l'acide pour maçonnerie

Charge de chauffage

La dimension du générateur d'air chaud doit être établie en fonction de l'exigence relative à la charge calorifique nominale. Les estimations de charge calorifique peuvent être réalisées au moyen des méthodes approuvées établies par l'Air Conditioning Contractors of America (Manuel J); l'American Society of Heating, Refrigerating, and Air Conditioning Engineers ou par tout autre méthode d'ingénierie approuvée. **Le surdimensionnement excessif du générateur d'air chaud peut entraîner la défaillance prématurée du générateur d'air chaud ou de l'évent.** Les conduits de ventilation doivent être d'une dimension appropriée à la capacité du générateur d'air chaud afin de garantir le débit d'air nominal approprié.

Pour les installations réalisées au-dessus de 2 000 pieds, le débit calorifique au niveau de la mer du générateur d'air chaud doit être suffisamment élevé pour satisfaire la charge calorifique après le déclassement relatif à l'altitude.

Les fournaies à deux étapes fonctionnent à deux débits calorifiques afin de mieux satisfaire les charges de chauffage. Le débit calorifique faible (feu doux) correspond à 65 % du taux de feu élevé. Le plus haut degré de régulation du générateur d'air chaud peut être obtenu par une régulation avec un thermostat à deux étages. Cela permet au thermostat de demander directement un feu élevé ou un feu doux. Toutefois, il est possible d'utiliser le générateur d'air chaud avec un thermostat à un étage. Dans cette utilisation, la régulation du générateur d'air chaud peut être réglée pour passer du feu doux au feu élevé avec une minuterie. Consulter la section Autorégulation pour thermostats à un étage ([page 25](#)).

Les générateurs d'air chaud sont correctement dimensionnés pour satisfaire la charge calorifique maximale prévue. Mais cette charge est peu fréquente. Dans des températures plus modérées, il est plus probable que le générateur d'air chaud utilise la plupart du temps un feu doux. Cela est normal et présente l'avantage d'un fonctionnement plus silencieux et plus efficace qu'à charge maximale.

Installation dans un garage

Ce générateur d'air chaud au gaz peut être installé dans un garage résidentiel à condition que les brûleurs et l'allumeur soit situés à au moins 457 mm (18 po) au-dessus du plancher. Le générateur d'air chaud doit être protégé ou situé de façon à prévenir les dommages causés par les véhicules.

AVERTISSEMENT:

Ne pas placer de matériaux combustibles sur ou contre l'armoire du générateur d'air chaud ou à moins de six pouces du conduit d'évent. Ne pas placer de matériaux combustibles, notamment de l'essence ou tout autre liquide ou vapeur inflammable à proximité du générateur d'air chaud.

Dégagements aux matériaux combustibles

La conception de ce générateur d'air chaud est certifiée aux États-Unis et au Canada par CSA International pour les dégagements aux matériaux combustibles minimaux.

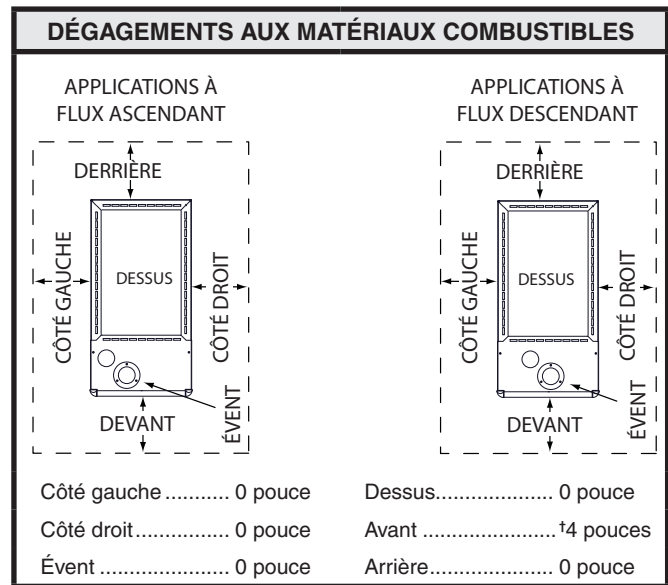
REMARQUE : Le générateur d'air chaud est homologué pour une installation sur un plancher en matériaux combustibles ou non combustibles. Toutefois, le bois est le seul revêtement de plancher combustible autorisé pour l'installation. Les modèles à flux descendant nécessitent la trousse de socle appropriée pour une installation sur plancher de bois. Pour obtenir le numéro de modèle et les renseignements relatifs au dégagement d'un modèle, consulter la plaque signalétique du générateur d'air chaud, située à l'intérieur de l'armoire du générateur d'air chaud.

L'emplacement de l'appareil doit être déterminé en fonction de l'accès pour le positionnement et l'entretien de l'appareil. La nécessité de prévoir le dégagement requis pour accéder aux panneaux et aux portes peut nécessiter des distances de dégagement supérieures à celles des exigences. **Prévoir un dégagement minimal de 24 pouces à l'avant de l'appareil. Toutefois, un dégagement de 36 pouces est fortement recommandé.** Voir la [Figure 1](#) pour les exigences relatives au dégagement minimal.

Utilisation du générateur d'air chaud pendant des travaux de construction

MISE EN GARDE :

L'utilisation de générateurs d'air chaud au gaz dans des environnements en construction peut causer différents problèmes au générateur et peut réduire de façon importante la durée de vie ou le rendement du générateur d'air chaud et entraîner d'autres conditions non sécuritaires. Par conséquent, le fonctionnement du four générateur la construction n'est pas autorisé et annulera la garantie.



†Prévoir un dégagement minimal de 24 pouces pour l'entretien. Le dégagement recommandé est de 36 pouces.

Figure 1. Dégagements aux matériaux combustibles

EXIGENCES RELATIVES À L'AIR DE COMBUSTION ET À LA VENTILATION

AVERTISSEMENT:

RISQUE D'EMPOISONNEMENT AU MONOXYDE DE CARBONE

Le non-respect des consignes suivantes portant sur chacun des appareils raccordés au système d'évacuation mis en service pourrait entraîner l'empoisonnement au monoxyde de carbone ou la mort.

Les consignes suivantes doivent être observées pour chaque appareil raccordé au système d'évacuation mis en service si les autres appareils raccordés au système ne sont pas en service :

1. Sceller toute ouverture non utilisée du système d'évacuation.
2. S'assurer que le système d'évacuation présente des dimensions et une pente horizontale conformes à la norme ANSI Z223.1/NFPA 54, intitulée National Fuel Gas Code ou aux codes d'installation CSA-B149.1, ainsi qu'aux présentes instructions. S'assurer que le système d'évacuation n'est pas bloqué, restreint, corrodé, qu'il ne fuit pas et qu'il ne présente aucun autre défaut potentiellement dangereux.
3. Dans la mesure du possible, fermer toutes les portes et fenêtres du bâtiment, et toutes les portes entre la pièce où se trouve l'appareil raccordé au système d'évacuation et les autres pièces du bâtiment.
4. Fermer les registres de foyer.
5. Mettre en service les sècheuses et tout autre appareil qui n'est pas raccordé au système d'évacuation. Faire fonctionner à régime maximal tout ventilateur d'évacuation, tel que les hottes de cuisinière et les ventilateurs de salles de bains. Ne pas mettre en service les ventilateurs d'été.
6. Respecter les instructions d'allumage. Mettre en service l'appareil à l'essai. Régler le thermostat de manière à ce que l'appareil fonctionne sans interruption.
7. Vérifier s'il y a des émanations à l'orifice d'évacuation du coupe-tirage des appareils dotés d'un coupe-tirage 5 minutes après l'allumage du brûleur principal. Utiliser la flamme d'une allumette ou d'une chandelle.
8. Si l'on constate, au cours de l'un des essais qui précèdent, que l'évacuation est déficiente, corriger le système d'évacuation conformément à la norme ANSI Z223.1/NFPA 54, National Fuel Gas Code, et (ou) aux codes d'installation CSA B149.1.
9. Après avoir déterminé que tous les appareils raccordés au système d'évacuation évacuent correctement tel que prescrit ci-dessus, rouvrir les portes et les fenêtres et remettre les ventilateurs d'évacuation, les registres de foyers et tout autre appareil fonctionnant au gaz à leur état de fonctionnement initial.

RENSEIGNEMENTS IMPORTANTS :

- L'évacuation de ce générateur d'air chaud doit être conforme à la révision actuelle du National Fuel Gas Code (ANSI-Z223.1/NFPA54). Les directives visant à déterminer la conformité d'une installation se trouve dans la révision actuelle de la norme NFGC (ANSI Z223.1/NFPA54). Consulter les codes locaux pour connaître les exigences spéciales. Ces exigences concernent les installations aux États-Unis, tel qu'indiqué dans la norme NFGC.
- L'installation d'un générateur d'air chaud effectuée au moyen de méthodes autres que celles dans les sections suivantes doit être conformes au National Fuel Gas Code (NFGC) et à tout autre code local applicable.
- Les exigences au Canada (B149.1) sont structurées différemment. Au Canada, la ventilation doit être conforme aux exigences des codes d'installation actuels (CAN/CSA B149.1 ou .2). Consulter les codes locaux pour connaître les exigences spéciales.
- Il faut prendre les dispositions pendant l'installation de ce générateur d'air chaud de façon à prévoir une alimentation d'air adéquate pour la combustion. L'air de combustion provenant de l'extérieur doit être exempt de produits chimiques corrosifs. Le conduit d'admission ne doit pas être placé à proximité de produits chimiques corrosifs, comme ceux indiqués à la [page 5](#).

AVERTISSEMENT:

Une fois l'installation du générateur d'air chaud terminée, inspecter soigneusement le réseau de conduit complet à l'intérieur et à l'extérieur du générateur d'air chaud pour assurer l'étanchéité appropriée. Les fuites dans le réseau de conduit peuvent entraîner des blessures graves, voire la mort, en raison de l'exposition aux produits dans les conduits, y compris le monoxyde de carbone.

AVERTISSEMENT:

Ce générateur d'air chaud ne doit pas être évacué avec d'autres appareils, même s'il s'agit d'un appareil à condensation. L'évacuation commune peut entraîner une forte corrosion des autres appareils ou de leur système d'évacuation et peut laisser s'échapper les gaz de combustion par ces appareils ou systèmes de ventilation. Ne pas évacuer le générateur d'air chaud par la cheminée d'un foyer ou le caniveau d'un bâtiment.

Ce générateur d'air chaud à condensation est homologué pour une installation en tant qu'appareil à évacuation direct (2 tuyaux) ou classique (1 tuyau). Les appareils à évacuation directe tirent l'air de combustion de l'extérieur et évacuent les produits de combustion à l'extérieur. Une installation dont l'air provient des environs du générateur d'air chaud est souvent nommée installation classique, c'est-à-dire qu'il n'y a qu'un conduit d'évacuation.

Un autre élément important à considérer dans la sélection d'une installation à un ou à deux tuyaux est la qualité de l'air intérieur, qui peut parfois être contaminée par différents produits chimiques domestiques. Ces produits chimiques peuvent causer une

forte corrosion dans le système de combustion du générateur d'air chaud. Une installation à deux tuyaux présente l'avantage supplémentaire d'isoler le système des effets de la pression négative dans la maison.

⚠ MISE EN GARDE:

Les ventilateurs d'évacuation, les sècheuses, les foyers et les autres appareils qui tirent l'air de la maison à l'extérieur peuvent créer une pression négative à l'intérieur de la maison, ce qui cause un fonctionnement inapproprié du générateur d'air chaud ou des conditions non sécuritaires, comme un retour de flamme. Il est essentiel de prévoir un échange d'air suffisant avec l'extérieur pour prévenir la dépressurisation. Le National Fuel Gas Code fournit des renseignements supplémentaires sur la vérification des problèmes de pression négative.

Les prises d'air sur le dessus du générateur d'air chaud et les ouvertures dans les portes ou les murs ne doivent jamais être obstruées. Si le générateur d'air chaud fonctionne avec une quantité d'air inadéquate pour la combustion, le contacteur de retour de flamme s'ouvre pour fermer l'alimentation en gaz des brûleurs.

REMARQUE IMPORTANTE

Ce dispositif de sécurité est un poussoir de réarmement manuel. NE PAS poser de fils volants entre ces contacteurs pour neutraliser leur fonction ou ne pas réarmer un contacteur sans avoir d'abord déterminé et corrigé l'état de défaillance. S'il faut remplacer un contacteur, utiliser uniquement la pièce de la bonne dimension indiquée dans la liste de pièces de remplacement fournie en ligne.

Systèmes à évacuation directe

Les appareils à évacuation directe aspirent l'air de combustion de l'extérieur et évacuent les produits de combustion à l'extérieur, ce qui isole l'ensemble du système de l'espace intérieur. Il est important de s'assurer que l'ensemble du système est étanche et que les dégagements aux matériaux combustibles sont maintenus peu importe si l'installation se trouve dans un espace confiné ou non.

Système à évacuation classique – Espaces confinés

Un espace confiné est une zone dont le volume est inférieur à 50 pieds cubes par 1 000 BTU/h des débits calorifiques combinés de tous les appareils tirant de l'air de combustion depuis cet espace. Les placards pour générateur d'air chaud, les petites salles techniques et les garages sont des espaces confinés. Les générateurs d'air chaud installés dans un espace confiné qui fournissent de l'air chaud aux zones extérieures à cet espace doivent tirer de l'air de reprise de l'extérieur de l'espace et doivent être dotés de conduits d'air de reprise parfaitement étanches au générateur d'air chaud. Les conduits doivent présenter une section transversale au moins aussi grande que l'espace libre de leurs ouvertures respectives dans l'espace du générateur d'air chaud. Les greniers ou les vides sanitaires doivent être reliés librement à l'extérieur s'ils sont utilisés comme source d'air pour la combustion et la ventilation.

La dimension requise de ces ouvertures est déterminée par l'utilisation de l'air intérieur ou extérieur comme source d'alimentation de la combustion, par la méthode utilisée pour aspirer l'air dans cet espace et par le débit calorifique total de tous les appareils dans cet espace. Dans tous les cas, la

dimension minimale de toute ouverture d'air de combustion est de 3 pouces.

Air de l'intérieur

Si l'air de combustion est tirée de l'espace chauffé, les deux ouvertures doivent avoir chacune un espace libre d'au moins un pouce carré par 1 000 BTU/h du débit calorifique total de tous les appareils dans l'espace confiné; l'espace libre doit toutefois être d'au moins 100 pouces carrés. Voir l'exemple et la Figure 2.

EXEMPLE

Si le débit calorifique combiné de tous les appareils est inférieur ou égal à 100 000 BTU/h, chaque ouverture doit présenter un espace libre d'au moins 100 po². Si le débit calorifique combiné de tous les appareils est de 120 000 BTU/h, chaque ouverture doit présenter un espace libre d'au moins 120 po².

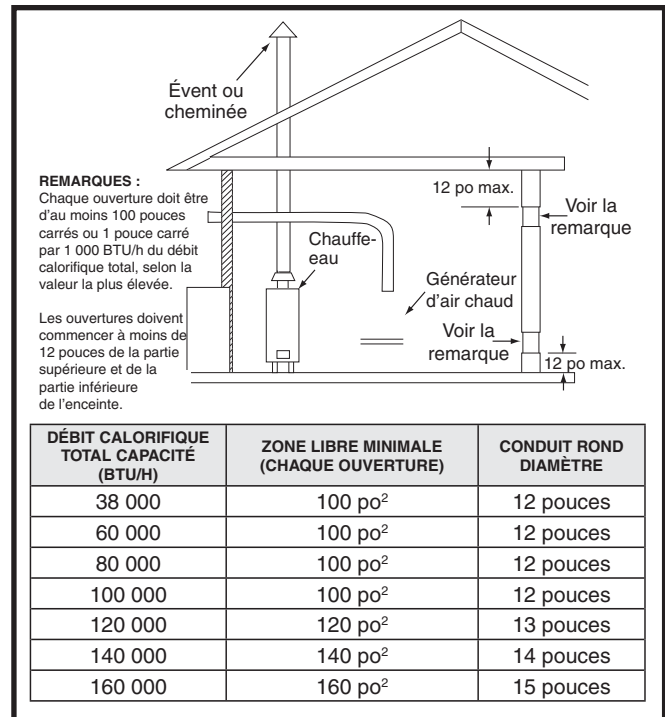


Figure 2. Air de combustion provenant de l'intérieur

Air extérieur provenant d'un vide sanitaire ou d'un comble ventilé

Lorsque les ouvertures peuvent échanger de l'air librement avec l'extérieur, chaque ouverture doit avoir un espace libre minimal de un pouce carré par 4 000 BTU/h du débit calorifique total de l'appareil. Les ouvertures doivent échanger directement, ou par conduits, avec les espaces extérieurs (vide sanitaire ou comble) dont l'échange d'air se fait librement avec l'extérieur. Voir la Figure 3 (page 9).

Air extérieur avec conduits verticaux

Si l'air de combustion provient de l'extérieur par l'entremise de conduits verticaux, les ouvertures et les conduits doivent avoir un espace libre minimal d'un pouce carré par 4 000 BTU/h du débit calorifique total de l'appareil. Consulter la Figure 4 (page 9).

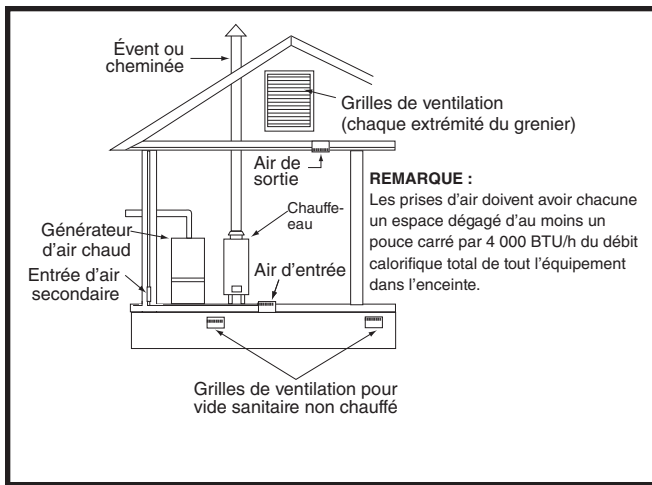
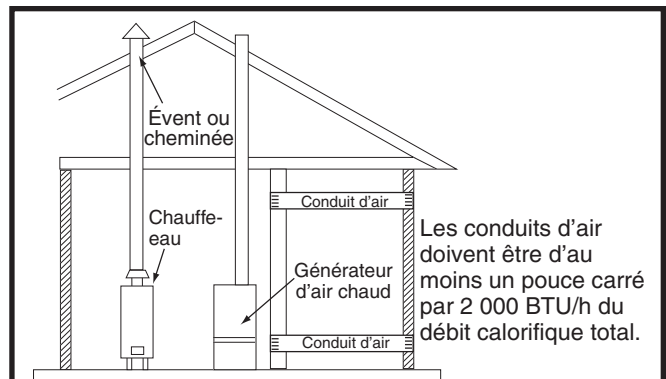
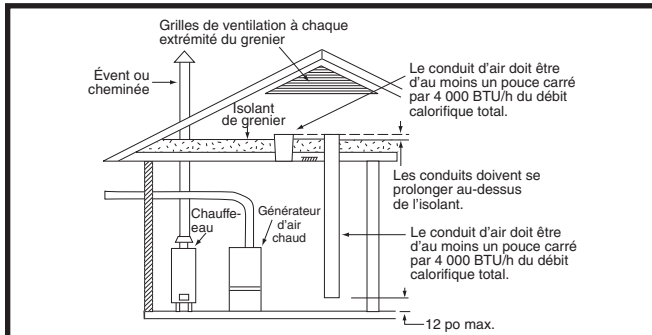


Figure 3. Air de combustion provenant d'un vide sanitaire ou d'un comble ventilé



DÉBIT CALORIFIQUE TOTAL CAPACITÉ (BTU/H)	ZONE LIBRE MINIMALE (CHAQUE OUVERTURE)	CONDUIT ROND DIAMÈTRE
38 000	20 po ²	5 pouces
60 000	30 po ²	6 pouces
80 000	40 po ²	7 pouces
100 000	50 po ²	8 pouces
120 000	60 po ²	9 pouces
140 000	70 po ²	10 pouces
160 000	80 po ²	10 pouces

Figure 5. Air de combustion tiré de l'extérieur par conduits horizontaux



DÉBIT CALORIFIQUE TOTAL CAPACITÉ (BTU/H)	ZONE LIBRE MINIMALE (CHAQUE OUVERTURE)	CONDUIT ROND DIAMÈTRE
38 000	10 po ²	4 pouces
60 000	15 po ²	5 pouces
80 000	20 po ²	5 pouces
100 000	25 po ²	6 pouces
120 000	30 po ²	6 pouces
140 000	35 po ²	7 pouces
160 000	40 po ²	8 pouces

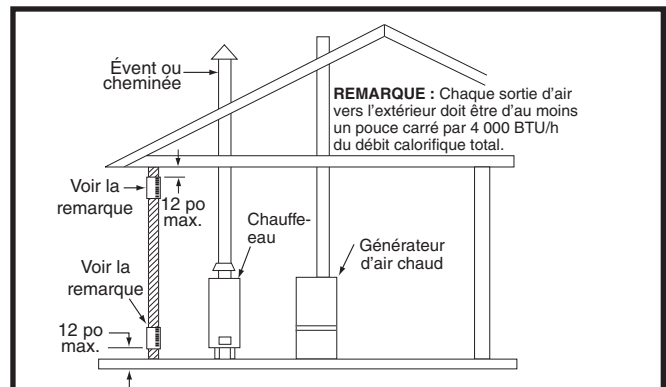
Figure 4. Air de combustion tiré de l'extérieur par conduits verticaux

Air extérieur avec conduits horizontaux

Si l'air de combustion provient de l'extérieur par l'entremise de conduits horizontaux, les ouvertures et les conduits doivent avoir un espace libre minimal d'un pouce carré par 2 000 BTU/h du débit calorifique total de l'appareil. Les conduits doivent présenter une section transversale au moins aussi grande que l'espace libre de leurs ouvertures respectives dans l'espace du générateur d'air chaud. Consulter la Figure 5.

Air traversant directement un mur extérieur

Si de combustion est alimentée directement à travers le mur extérieur, les deux ouvertures doivent avoir un espace libre d'au moins un pouce carré par 4 000 BTU/h du débit calorifique total de l'appareil. Consulter la Figure 6.



DÉBIT CALORIFIQUE TOTAL CAPACITÉ (BTU/H)	ZONE LIBRE MINIMALE (CHAQUE OUVERTURE)	CONDUIT ROND DIAMÈTRE
38 000	10 po ²	4 pouces
60 000	15 po ²	5 pouces
80 000	20 po ²	5 pouces
100 000	25 po ²	6 pouces
120 000	30 po ²	6 pouces
140 000	35 po ²	7 pouces
160 000	40 po ²	8 pouces

Figure 6. Air de combustion tiré de l'extérieur par un mur extérieur

Autre méthode d'alimentation de l'air depuis l'extérieur:

Si les codes locaux le permettent, il est possible de fournir l'air extérieur au moyen d'une ouverture (voir le code NFGC). En règle générale, les espaces confinés doivent présenter deux ouvertures pour l'air de combustion. Une ouverture doit se trouver à moins de 12 pouces du plafond et l'autre à moins de 12 pouces du plancher. Toutefois, une autre méthode récemment adoptée par le NFGC utilise une ouverture à moins de 12 pouces de la partie supérieure de l'espace. Il est possible d'utiliser cette méthode si les codes locaux l'autorisent.

IL FAUT SATISFAIRE LES CONDITIONS SUIVANTES :

1. L'ouverture doit commencer à moins de 12 pouces de la partie supérieure de la structure et être raccordée à l'extérieur par des conduits verticaux ou horizontaux ou raccordée par conduit à un vide sanitaire ou à un comble relié à l'extérieur.
2. L'ouverture doit présenter un espace libre minimal de 1 po² par 3 000 BTU/h du débit calorifique total de tout l'équipement situé dans l'enceinte.
3. L'espace libre ne doit pas être inférieur à la somme de toutes les aires des raccords d'évent dans l'enceinte.

Système à évacuation classique – Espaces non confinés

Un espace non confiné est une zone incluant toutes les salles non séparées par des portes dont le volume est supérieur à 50 pieds cubes par 1 000 BTU/h des débits calorifiques combinés de tous les appareils tirant de l'air de combustion depuis cet espace.

En règle générale, un générateur d'air chaud installé dans un espace non confiné ne requiert pas d'air extérieur pour la combustion. Toutefois, dans les maisons construites pour l'efficacité énergétique (faible taux de renouvellement d'air), il peut être nécessaire de fournir de l'air extérieur pour garantir une combustion et une ventilation adéquates, même si le

générateur d'air chaud est situé dans un espace non confiné. Voir l'exemple ci-dessous.

EXEMPLE

Un espace avec un chauffe-eau dont le débit calorifique est de 45 000 BTU/h et avec un générateur d'air chaud de 75 000 BTU/h requiert un volume de 6 000 pieds cubes [50 x (45 + 75) = 6 000] pour être considéré comme un espace non confiné. Si la hauteur du plafond de l'espace est de huit pieds, la superficie de cet espace doit être de 750 pi² (6 000 / 8 = 750).

Ventilation de catégorie IV

AVERTISSEMENT :

Une fois l'installation du générateur d'air chaud terminée, inspecter soigneusement le réseau de conduit complet à l'intérieur et à l'extérieur du générateur d'air chaud pour assurer l'étanchéité appropriée. Les fuites dans le réseau de conduit peuvent entraîner des blessures graves, voire la mort, en raison de l'exposition aux produits dans les conduits, y compris le monoxyde de carbone.

Ce générateur d'air chaud est classé comme un appareil de « Catégorie IV », qui requiert des méthodes d'installation et des matériaux de ventilation spéciaux. Cette section présente les exigences relatives à l'installation d'une tuyauterie classique (1 tuyau) et d'une tuyauterie à évacuation directe (2 tuyaux).

Pour les installations à un tuyau, installer la tuyauterie d'évacuation de la façon décrite dans cette section et fournir l'air pour la combustion et la ventilation conformément aux [page 7](#), [page 8](#), [page 9](#), et [page 10](#). Les longueurs de la tuyauterie d'air de combustion et de la tuyauterie d'air de ventilation pour les deux types d'installation sont indiquées dans le [Tableau 1](#).

GÉNÉRATEUR D'AIR CHAUD MODÈLES (BTU)	GÉNÉRATEUR D'AIR CHAUD INSTALLATION	LONGUEUR DE CONDUIT D'ÉVENT SIMPLE (PI) AVEC 1 COUDE À LONG RAYON*		LONGUEUR DE CONDUIT D'ÉVENT DOUBLE (PI) AVEC 1 COUDE À LONG RAYON SUR CHAQUE CONDUIT*	
		SORTIE DIAMÈTRE DE 2 PO	SORTIE DIAMÈTRE DE 3 PO	ENTRÉE/SORTIE DIAMÈTRE DE 2 PO	ENTRÉE/SORTIE DIAMÈTRE DE 3 PO
60 000	Flux ascendant	60	90	60	90
	Flux descendant	60	90	60	90
80 000	Flux ascendant	40	90	40	90
	Flux descendant	30	90	30	90
100 000	Flux ascendant	30	90	30	90
	Flux descendant	30	90	25	90
115 000	Flux ascendant	S.o.	70	S.o.	70
	Flux descendant	S.o.	90	S.o.	90

*REMARQUES :

1. Soustraire 2,5 pi pour chaque coude à long rayon de 2 po supplémentaire, 5 pi pour chaque coude à rayon court de 2 po supplémentaire, 3,5 pi pour chaque coude à long rayon de 3 po supplémentaire et 7 pi pour chaque coude à rayon court de 3 po supplémentaire. Soustraire 5 pi pour chaque té de 2 po et 8 pi pour chaque té de 3 po. Deux coudes de 45 degrés équivalent à un coude de 90 degrés.
2. Ce Tableau s'applique aux élévations jusqu'à 2 000 pi au-dessus du niveau de la mer. Pour les élévations supérieures, diminuer les longueurs de conduits de 8 % par 1 000 pi d'altitude.

Tableau 1. Longueurs du conduit d'évent

Les appareils de catégorie IV fonctionnent avec une pression d'évacuation positive et requièrent donc des systèmes de ventilation parfaitement étanches. Ils produisent également un condensat liquide, qui est légèrement acide et peut causer une forte corrosion des matériaux de ventilation ordinaires. Un évent et une tuyauterie d'air de combustion obstrués peuvent avoir une incidence négative sur le fonctionnement du générateur d'air chaud.

L'ensemble inducteur de ce générateur d'air chaud peut être tourné pour évacuer les produits de combustion du côté gauche ou du côté droit du générateur d'air chaud. Cela permet d'obtenir une souplesse accrue de l'orientation dans laquelle le conduit d'évent sort du générateur d'air chaud.

Matériau du conduit d'évent

Les raccords et les conduits d'évent et d'air de combustion doivent être fabriqués dans l'un des matériaux de la liste ci-dessous et doivent être conformes à la norme ANSI/ASTM indiquée.

MATÉRIAUX	NORMES
PVC de série 40	D1785
PVC-DWV	D2665
SDR-21 et SDR-26	D2241
ABS-DWV	D2661
ABS de série 40	F628
Mousse/PVC cellulaire	F891
*PolyPro® par DuraVent	ULC-S636

*Lorsqu'on utilise du PolyPro®, tous les raccords et conduits d'évent doivent provenir du même fabricant et il faut éviter de les échanger avec d'autres matériaux. Consulter les directives particulières fournies avec les trousseaux d'évent PolyPro®.

La colle doit être conforme à la norme ASTM D2564 pour le PVC et à la norme D2235 pour l'ABS. L'apprêt pour PVC doit être conforme à la norme ASTM F656. Utiliser de la colle à solvant pour PVC pour assembler de la tuyauterie PVC à de la tuyauterie ABS. (Voir la procédure prescrite dans la norme ASTM D3138.)

Au Canada, tous les raccords et tuyaux d'évent en plastique, y compris la colle, les produits nettoyants ou les apprêts doivent être certifiés comme un système selon la norme ULC S636. Toutefois, cette exigence ne s'applique pas aux brides de finition ou à la tuyauterie interne du générateur d'air chaud.

Longueur et diamètre du conduit d'évent

Pour que le générateur d'air chaud fonctionne correctement, la tuyauterie d'air de combustion et la tuyauterie d'évent ne doivent pas être trop restrictives.

- Le système d'évacuation doit être conçu avec une quantité minimale de coudes et d'angles.
- La transition au diamètre final de l'évent doit être effectuée aussi près que possible de la sortie du générateur d'air chaud.
- Toujours utiliser un conduit d'air de combustion de dimension égale ou supérieure à celle utilisée pour le conduit d'évacuation.

Le [Tableau 1](#) indique la longueur de conduit admissible maximale pour un générateur d'air chaud à débit calorifique connu, lorsque l'installation se fait avec une tuyauterie dont le diamètre et le nombre de coudes sont prédéterminés. Pour utiliser le Tableau, il faut connaître le débit calorifique du générateur d'air chaud, la longueur d'axe et le nombre de coudes sur chaque conduit.

L'estimation de la longueur des acheminements d'évent doit tenir compte de l'incidence des coudes et des autres raccords. Cela est normalement réalisé au moyen du concept de « longueur équivalente ». Il s'agit alors d'attribuer aux raccords une longueur linéaire qui tient compte de la chute de pression causée par

chacun d'entre eux. Par exemple, un coude à long rayon de 2 po de diamètre équivaut à un acheminement linéaire de 2,5 pieds. Un té de 90 degrés correspond à une longueur de 7 pi.

Les longueurs équivalentes des tés et des différents coudes sont indiquées dans le [Tableau 1](#). Mesurer la longueur linéaire de l'acheminement d'évent et ajouter la longueur équivalente de chaque raccord. La longueur totale, incluant la longueur équivalente des raccords, doit être inférieure à la longueur maximale indiquée dans le [Tableau 1](#).

Installation du conduit d'évent

MISE EN GARDE :

L'air de combustion ne doit pas provenir d'une atmosphère corrosive.

Ce générateur d'air chaud est homologué pour une installation à dégagement nul entre la tuyauterie d'évent et les surfaces combustibles. Toutefois, il est recommandé de prévoir de l'espace pour faciliter l'installation et l'entretien.

- Dans le cas où il n'y aurait pas de codes locaux, il faut disposer l'admission d'air de combustion à au moins 8 pouces de toute terminaison d'évent. Cela comprend les installations de plus d'un générateur d'air chaud.
- Il faut également tenir compte de la qualité de l'air extérieur. S'assurer que l'admission d'air de combustion n'est pas située à proximité d'une source de vapeurs de solvant ou d'autres produits chimiques qui pourraient causer la corrosion du système de combustion du générateur d'air chaud. (Voir la liste des substances à la [page 5](#).)
- Acheminer la tuyauterie aussi directement que possible entre le générateur d'air chaud et l'extérieur. La tuyauterie horizontale entre l'inducteur et le tuyau de raccordement doit être inclinée de 1/4 po par pied pour assurer l'écoulement du condensat vers le té drain ou le siphon en PVC. Les longs acheminements de conduit d'évent requièrent des diamètres de conduit plus grands. Consulter la section Options d'inducteur et de ventilation à la [page 16](#) pour de plus amples renseignements.
- Si on utilise un système à évacuation directe (2 conduits), l'admission d'air de combustion et l'évacuation doivent être situées dans la même zone de pression atmosphérique. Cela signifie que les deux conduits doivent sortir du bâtiment par la même section de mur extérieur ou de toit, comme indiqué aux [Figure 7](#), [Figure 8](#), [Figure 9](#), et [Figure 10](#).
- Il faut soutenir mécaniquement la tuyauterie pour éviter que son poids repose sur le générateur d'air chaud. Il faut poser les supports de conduit à des intervalles minimales de 5 pieds le long de l'acheminement de l'évent pour empêcher tout déplacement après l'installation. Au besoin, les supports peuvent être disposés à des intervalles plus courts pour prévenir tout affaissement de section qui pourrait piéger le condensat. Voir les [Figure 34](#) ([page 44](#)). Il est recommandé d'installer des manchons le long du conduit d'évent des deux côtés du mur extérieur. Ces manchons peuvent être requis par le code local.
- Si des raccords frangibles sont requis dans le conduit d'admission d'air de combustion (s'il y a lieu) et la tuyauterie d'évacuation, on peut alors utiliser des manchons en néoprène droits pour une tuyauterie de 2 po ou 3 po avec des colliers de serrage. Ces manchons peuvent être commandés auprès du distributeur de générateurs d'air chaud de votre région. Pour installer un manchon:

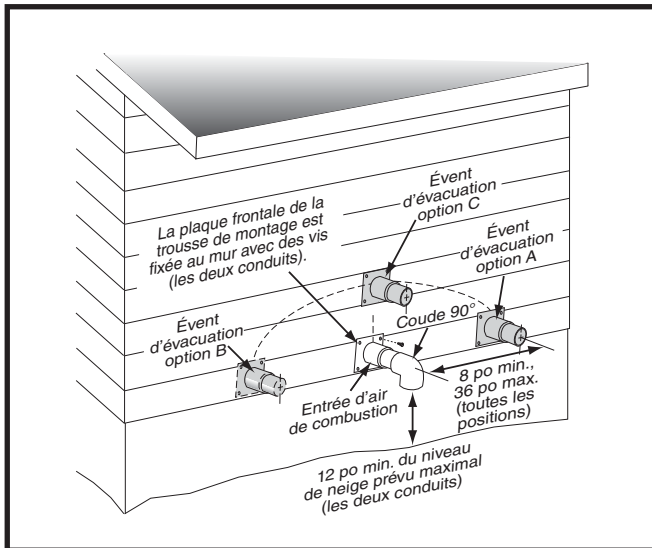


Figure 7. Dégagements du conduit d'admission et du conduit d'évacuation

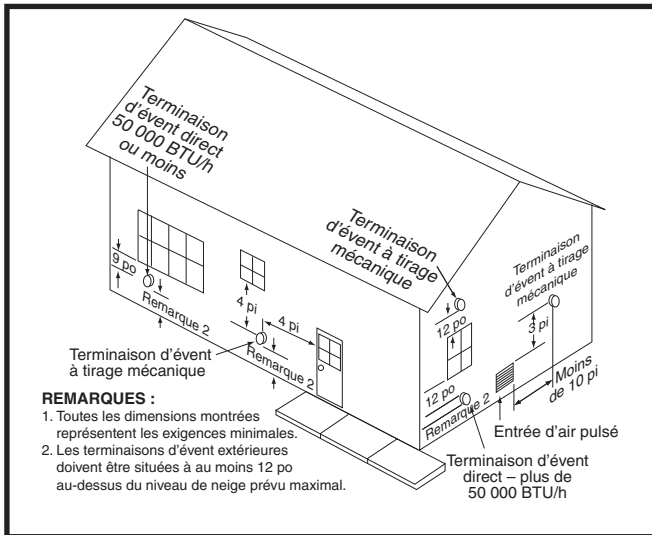


Figure 8. Emplacements de l'évent

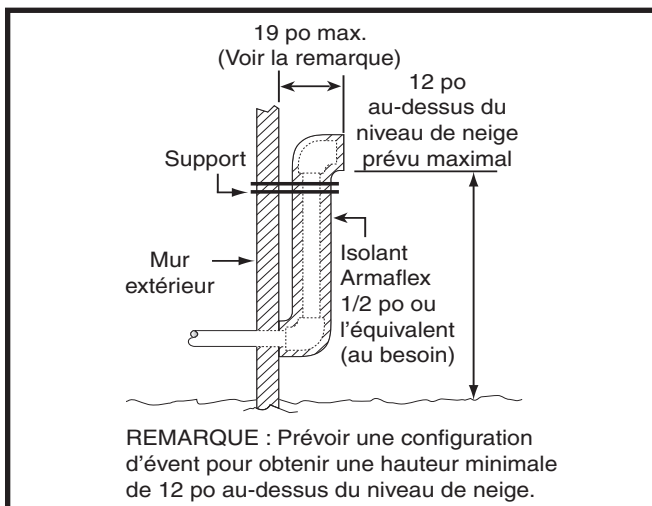


Figure 9. Autre installation d'un conduit d'évent horizontal

1. Glisser le manchon en caoutchouc sur l'extrémité du conduit fixé au générateur d'air chaud et le fixer avec un des colliers de serrage.
2. Glisser l'autre extrémité du manchon en caoutchouc sur l'autre conduit de l'évent.
3. Fixer le manchon avec le deuxième collier de serrage en s'assurant que le raccordement est serré et étanche.

Terminaisons extérieures – Événement horizontal

- Les terminaisons d'évent et d'admission d'air de combustion doivent être installées comme indiqué aux [Figure 7](#) et [Figure 8](#), et conformément à ces directives :
- Les dégagements de la terminaison d'évent doivent être conformes à la norme ANSI 2223.1/NFPA 54 du NFGC ou à la norme CSA B149.1 du Code d'installation relatif au gaz naturel et au propane. Le [Tableau 15](#) (page 43) indique les distances nécessaires de la terminaison d'évent aux fenêtres et aux prises d'air du bâtiment.
- Les terminaisons d'évent et d'admission d'air de combustion doivent être situées de façon à garantir le bon fonctionnement du générateur d'air chaud et la conformité aux codes applicables. Une terminaison d'évent doit être située à au moins 3 pieds au-dessus de toute admission d'air pulsé située à moins de 10 pieds. Ces directives ne s'appliquent pas à l'admission d'air de combustion d'un appareil à évacuation directe (deux conduits). Au Canada, la norme CSA B149.1 prévaut sur ces directives. Consulter le [Tableau 15](#).
- Tous les dégagements minimaux doivent être maintenus pour protéger les matériaux du bâtiment contre la dégradation causée par les gaz de combustion. Consulter la [Figure 7](#).
- Pour un rendement optimal, disposer l'évacuation du générateur d'air chaud à travers un mur peu exposé aux vents hivernaux.
- La terminaison d'évent doit être située à au moins 3 pieds horizontalement de tout compteur électrique, compteur de gaz, régulateur et dispositif détenteur. Ces distances s'appliquent UNIQUEMENT aux États-Unis. Au Canada, la norme CSA B149.1 prévaut sur ces directives.
- Ne pas installer la terminaison d'évent de façon à orienter l'évacuation dans des puits de fenêtre, des cages d'escalier, sous des terrasses ou dans des alcôves et des endroits encastrés similaires, ainsi qu'au-dessus de voies publiques.
- Dans le cas d'une évacuation horizontale, une trousse d'évent de mur latéral est offerte selon le diamètre du conduit de l'installation. Pour un conduit de 2 pouces, utiliser la trousse d'évent de mur latéral no 904617 et, pour un conduit de 3 pouces, utiliser la trousse d'évent de mur latéral no 904347. **Veillez suivre les directives fournies avec la trousse.**

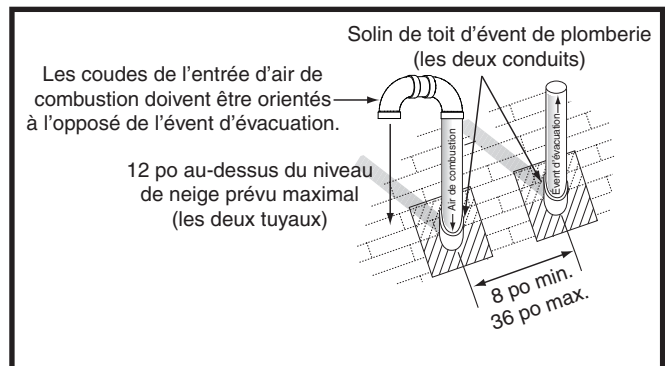


Figure 10. Terminaison d'évent vertical

- Des trousse de terminaison d'évent concentrique sont offertes pour ces générateurs d'air chaud. Pour un conduit de 2 pouces, utiliser la trousse no 904952 et, pour un conduit de 3 pouces, utiliser la trousse no 904953. **Veillez suivre les directives fournies avec la trousse.**
- Lorsque le conduit d'évent doit sortir par un mur extérieur à proximité du niveau du sol ou du niveau de neige prévu et qu'il n'est pas possible d'obtenir les dégagements indiqués à la [Figure 7 \(page 12\)](#), il est possible d'utiliser une conduite montante, comme indiqué à la [Figure 9](#). Il faut utiliser de l'isolant pour éviter le gel de cette section de conduit. Consulter le [Tableau 2 \(page 13\)](#) pour la protection contre le gel de l'évent.

Terminaisons extérieures – Évent vertical

Les exigences relatives à l'espacement des terminaisons entre le toit et entre chaque terminaison sont indiquées à la [Figure 10](#). L'endroit où le conduit traverse le toit doit être doté d'un solin approprié et étanche; on peut utiliser un chaperon de toit ou un solin équivalent. La tuyauterie d'évent et la tuyauterie d'air de combustion peuvent être installées dans une cheminée existante non utilisée, à condition que :

- le conduit d'évent et le conduit d'admission d'air soient acheminés sur toute la longueur de la cheminée;
- la partie supérieure de la cheminée soit étanche et protégée contre les intempéries;
- les dégagements de terminaison indiqués à la [Figure 10](#) soient maintenus;
- la cheminée ne soit utilisée pour l'évacuation d'aucun autre appareil au gaz ou au mazout.

Protection contre le gel du conduit d'évent

MISE EN GARDE :

Lorsque le conduit d'évent est exposé à des températures inférieures au point de congélation (p. ex., lorsqu'il passe dans des espaces non chauffés, dans une cheminée, etc.), il faut isoler le conduit avec un isolant en caoutchouc spongieux, comme un isolant de type Armaflex ou un isolant équivalent. L'isolation du conduit est importante pour prévenir le gel du condensat.

- Le [Tableau 2 \(page 13\)](#) indique la longueur maximale du conduit de raccordement qui peut être acheminée dans un espace non conditionné ou dans un espace extérieur. La longueur totale du conduit d'évent ne doit pas dépasser les longueurs indiquées dans le [Tableau 1 \(page 10\)](#). Pour les installations au Canada, veuillez consulter le Code d'installation canadien (CAN/CSA-B149.1 ou 2) ou les codes locaux.
- Pour les climats très froids ou pour les courts cycles de fonctionnement du générateur d'air chaud (p. ex., conditions de baisse du thermostat), il est possible de réduire les derniers 18 pouces de conduit d'évent. Il est possible de réduire un conduit de 3 po à 2 1/2 po, de 3 po à 2 po ou de 2 po à 1 1/2 po si la longueur totale de l'évent est d'au moins 15 pieds et que la longueur de l'évent se situe dans les paramètres indiqués dans le [Tableau 1](#). La restriction doit être considérée comme 3 pieds équivalent. Les conduits d'évent plus petits sont moins susceptibles de geler, mais ne doivent pas être trop restrictifs. La longueur du conduit de 2 po ne doit pas excéder 18 pouces.

CONFIGURATION HIVERNALE TEMPÉRATURE	LONGUEUR DE CONDUIT D'ÉVACUATION MAXIMALE (PIEDS) DANS LES ESPACES NON CONDITIONNÉS ET EXTÉRIEURS	
	SANS ISOLANT	AVEC ISOLANT*
20	45	70
0	20	70
-20	10	60

REMARQUE : Isolant d'une épaisseur supérieure à 3/8 po, basé sur une cote R de 3,5 (pi x °F x h) / (BTU x po)

Tableau 2. Protection de l'évent

- Pour empêcher les débris ou les bestioles d'entrer dans le système de combustion, on peut installer un écran de protection sur l'ouverture d'admission d'air de combustion. Les trous de l'écran doivent être suffisamment grands pour éviter de restreindre le débit d'air.

Installations existantes

Lorsqu'un générateur d'air chaud existant est retiré d'un système d'évacuation desservant d'autres appareils, la dimension du système d'évacuation existant peut être inadéquate pour assurer la ventilation des appareils demeurés en place (p. ex., chauffe-eau). Un système d'évacuation de dimension inappropriée peut entraîner des fuites, des émanations ou la formation de condensat. Il faut vérifier que le système d'évacuation existant est conforme au NFGC et en assurer la conformité avant d'installer le générateur d'air chaud.

REMARQUE : En cas de remplacement d'un générateur d'air chaud existant, il est possible de trouver un système d'évacuation en plastique qui fait l'objet d'un rappel de la Consumer Product Safety Commission. Les conduits touchés par le rappel sont des événements en plastique haute température (HTPV). **Si le système d'évacuation est constitué de ces conduits, NE PAS réutiliser ce système d'évacuation.** Ce rappel ne concerne pas les autres conduits d'évent en plastique, comme le PVC blanc ou le CPVC. Consulter les détails du rappel sur le site Web de la CPSC ou composer le numéro sans frais 800-758-3688.

Élimination du condensat

La méthode d'élimination du condensat varie selon les codes locaux. Consulter le code local ou les autorités compétentes de votre région.

Chaque conduite d'écoulement de condensat doit être dotée d'un siphon en J en utilisant des pièces fournies sur place. Une fois les conduites de condensat dotées d'un siphon en J, elles peuvent être rassemblées en une seule conduite jusqu'au drain. Les conduites d'écoulement doivent être acheminées vers le bas pour assurer un écoulement approprié depuis le générateur d'air chaud.

La trousse de neutralisation n° 902377 est offerte pour ce générateur d'air chaud. **Veillez suivre les directives fournies avec la trousse.**

Pour les installations où le dégagement nécessaire au siphon en J est limité (comme un comble, où le siphon peut être installé entre des solives de plafond), il est possible de raccourcir les deux côtés du siphon en J jusqu'à un minimum de 3 pouces.

EXIGENCES RELATIVES À L'AIR CIRCULANT

AVERTISSEMENT :

Ne pas laisser les produits de combustion entrer dans l'alimentation d'air circulant. Le défaut de prévenir la circulation des produits de combustion dans l'espace habiTableau peut créer des conditions potentiellement dangereuses, notamment l'empoisonnement au monoxyde de carbone, qui peut entraîner des blessures ou la mort.

Tous les systèmes de gaines de reprise doivent être fixés au générateur d'air chaud avec des vis à tête. Pour les installations dans les espaces confinés, tous les systèmes de gaines de reprise doivent être parfaitement étanches. Lorsque l'air de reprise est fourni par la base du générateur d'air chaud, le joint entre le générateur d'air chaud et le plénum de reprise doit être étanche à l'air.

La surface de montage du générateur d'air chaud doit procurer un support physique solide au générateur d'air chaud et il ne doit y avoir aucun espace, fissure ou affaissement entre le générateur d'air chaud et le plancher ou la plate-forme.

Les systèmes de gaines d'air de reprise et d'air circulant ne doivent être raccordés à aucun autre dispositif générateur d'air chaud, comme un foyer encastré, un poêle, etc. Un tel raccordement peut entraîner un incendie, une explosion, un empoisonnement au monoxyde de carbone, des blessures ou des dommages matériels.

Plénums et conduits d'air

- Les plénums et les conduits d'air doivent être installés conformément à la norme relative à l'installation de climatiseurs et de systèmes de ventilation (NFPA n° 90A) ou à la norme relative à l'installation de systèmes de chauffage à air chaud et de systèmes de climatisation (NFPA n° 90B).
- Les [Tableau 6 \(page 31\)](#), [Tableau 7 \(page 33\)](#) et [Tableau 8 \(page 34\)](#) contiennent le débit d'air maximal et les données sur la hausse température pour les moteurs à vitesse fixe et les moteurs à vitesse variable. Si le débit d'air maximal est de 1 600 pieds cubes par minute ou plus, il est nécessaire d'utiliser deux ouvertures pour l'air de reprise des générateurs d'air chaud à flux ascendant. Les générateurs d'air chaud à flux descendant peuvent utiliser uniquement une ouverture de reprise.
- Il est recommandé de doter le conduit de sortie d'un panneau d'accès amovible. L'ouverture doit être accessible lorsque le générateur d'air chaud est installé et doit avoir une dimension qui permet d'observer la fumée ou la lumière réfléchie à l'intérieur de la gaine pour déterminer la présence de fuites dans l'échangeur de chaleur. Le couvercle de l'ouverture doit être fixé de façon à prévenir les fuites.
- Si on utilise l'air extérieur comme air de reprise du générateur d'air chaud pour la ventilation ou pour améliorer la qualité de l'air intérieur, le système doit être conçu de façon à ce que l'air de reprise soit supérieure à 15 °C (60 °F) pendant le fonctionnement. Si on utilise une combinaison d'air intérieur et extérieur, les conduits et le système de registres doivent être conçus de façon à ce que l'alimentation en air de reprise de

la fournaise soit équivalente à l'alimentation en air de reprise d'un système d'air de reprise intérieur normal.

- Lorsqu'on installe un système de refroidissement qui utilise le souffleur du générateur d'air chaud pour créer un débit d'air sur le serpentin intérieur, le serpentin doit être installé en aval (du côté sorti) du générateur d'air chaud ou parallèlement au générateur d'air chaud.
- Si un système de refroidissement est installé parallèlement au générateur d'air chaud, il faut installer un registre pour empêcher l'air refroidi d'entrer dans le générateur d'air chaud et de former de la condensation sur l'échangeur de chaleur. Si on installe un registre manuel, il doit être conçu de façon à prévenir le fonctionnement du générateur d'air chaud lorsqu'il est en position de refroidissement et à prévenir le fonctionnement du système de refroidissement lorsqu'il est en position de chauffage.
- Il est recommandé de sceller tous les raccordements et tous les joints avec un ruban d'étanchéité ou un enduit d'étanchéité liquide de qualité industrielle. Les exigences relatives à l'étanchéisation des systèmes de gaines diffèrent d'une région à l'autre. Consulter les codes locaux pour connaître les exigences particulières à votre région.

Raccordements d'air de reprise

- Pour les applications où les conduits d'alimentation transportent l'air chaud dans les zones extérieures à l'espace où se trouve le générateur d'air chaud, l'air de reprise doit être amené au générateur d'air chaud au moyen de conduits fixés au boîtier du générateur d'air chaud; les conduits doivent être de pleine dimension et ininterrompus. **Ne pas utiliser l'arrière du générateur d'air chaud pour l'air de reprise.**
- Disposer le générateur d'air chaud et le système de gaines d'air de reprise de façon à assurer l'alignement de l'ouverture d'air du générateur d'air chaud (ou du boîtier de serpentin) et du conduit de reprise. **REMARQUE :** Le système de gaines doit présenter une ouverture égale à l'ouverture de reprise du générateur d'air chaud (ou du boîtier de serpentin). Voir la [Figure 26 \(page 30\)](#) pour la dimension de l'ouverture de reprise.

Générateurs d'air chaud et à flux ascendant

- Le système de gaines de reprise peut être raccordé du côté gauche, du côté droit ou à la base du générateur d'air chaud. **REMARQUE :** Si le côté gauche ou le côté droit du générateur d'air chaud est utilisé pour la reprise, il ne faut pas retirer le panneau inférieur ([Figure 26](#)) de la base du générateur d'air chaud.

AVERTISSEMENT :

Le panneau inférieur du générateur d'air chaud doit demeurer en place lorsque le générateur d'air chaud est installé avec des conduits d'air de reprise latéraux. Le retrait complet ou partiel de la base peut entraîner la circulation des produits de combustion dans l'espace habiTableau et créer des conditions potentiellement dangereuses, notamment l'empoisonnement au monoxyde de carbone, qui peut entraîner des blessures ou la mort.

- **Installations d'une reprise latérale :** Pour fixer le conduit de reprise au côté gauche ou au côté droit du générateur d'air chaud, enlever les quatre débouchures du côté du générateur d'air chaud ([Figure 26 \(page 30\)](#)). Utiliser des cisailles à métaux aiguisées pour découper une ouverture entre les quatre débouchures afin d'exposer

le souffleur. Disposer le conduit de reprise au-dessus de l'ouverture et le fixer au côté avec des vis à tôle.

- **Installations d'une reprise à la base** : Si la base du générateur d'air chaud est utilisée pour la reprise, il faut retirer le panneau inférieur (Figure 26) de la base du générateur d'air chaud. Consulter la page 19 pour les directives de démontage. Disposer le générateur d'air chaud sur le conduit de reprise et fixer le conduit avec des vis à tôle. S'assurer que les vis pénètrent le conduit et le boîtier du générateur d'air chaud.

Générateurs d'air chaud à flux descendant

- Pour fixer le conduit de reprise au générateur d'air chaud à flux descendant, plier les brides vers le haut à 90 degrés sur le générateur d'air chaud avec de grandes pinces de conduit. Voir la Figure 26 (page 30) pour l'emplacement des brides de générateur d'air chaud. **REMARQUE** : Si l'installation du système comprend un boîtier de serpentin de climatiseur, plier les brides vers le haut à 90 degrés sur le boîtier de serpentin avant de fixer le conduit de reprise.
- Fixer le système de gaines de reprise au générateur d'air chaud ou au boîtier de serpentin (s'il y a lieu) avec des vis à tôle. S'assurer que les vis pénètrent le boîtier en tôle et les brides.

Raccordements d'air d'alimentation

- L'air d'alimentation doit être acheminé à l'espace chauffé au moyen de conduits fixés au générateur d'air chaud ou au boîtier de serpentin; les conduits doivent être de pleine dimension et ininterrompus.
- Pour fixer le conduit de reprise au générateur d'air chaud horizontal à flux ascendant, plier les brides vers le haut à 90 degrés sur le générateur d'air chaud avec de grandes pinces de conduit. Voir la Figure 26 (page 30) pour l'emplacement des brides de générateur d'air chaud. **REMARQUE** : Si l'installation du système comprend un boîtier de serpentin de climatiseur, plier les brides vers le haut à 90 degrés sur le boîtier de serpentin avant de fixer le conduit d'air d'alimentation.
- Disposer le système de gaines d'air d'alimentation sur le générateur d'air chaud en assurant l'alignement de l'ouverture d'air du générateur d'air chaud et du conduit d'air d'alimentation. **REMARQUE** : Le système de gaines doit présenter une ouverture égale à l'ouverture d'air d'alimentation du générateur d'air chaud. Voir la Figure 28 pour la dimension de l'ouverture d'air d'alimentation.

Traitements acoustiques

Il est possible d'utiliser des conduits d'amortissement, des isolateurs de vibrations flexibles ou des filtres plissés sur l'admission de l'air de reprise du générateur d'air chaud afin de réduire la propagation du bruit provenant du générateur d'air chaud. Ces traitements peuvent produire une installation silencieuse, particulièrement dans l'espace chauffé. Toutefois, ils peuvent entraîner une chute de pression dans le système de gaines. Il faut prendre soin de maintenir la hausse de pression maximale appropriée dans l'ensemble du générateur d'air chaud, la hausse température et le débit. Cela peut nécessiter l'augmentation de la dimension du conduit ou la réduction de la vitesse du souffleur. Ces traitements doivent être construits et installés conformément aux normes de construction de la NFPA et de la SMACNA. Consulter les codes locaux pour connaître les exigences spéciales. Pour obtenir les meilleurs résultats relatifs à la sonorité, s'assurer d'installer tous les joints d'étanchéité et passe-fils autour des points d'entrée dans le générateur d'air chaud, comme pour le câblage électrique.

INSTALLATION DU GÉNÉRATEUR D'AIR CHAUD

Les générateurs d'air chaud au gaz de la série *TE offre un large éventail d'options d'installation, y compris l'installation en position de flux ascendant ou horizontal avec l'air de reprise à droite, à gauche ou vers le haut. Les générateurs d'air chaud au gaz de la série *TN peuvent uniquement être installés en application à flux descendant.

Exigences générales

- Le générateur d'air chaud doit être installé de niveau et raccorder à un système de gaines installé de façon appropriée. Voir la Figure 1 (page 6) pour les dégagements requis nécessaires pour déplacer le générateur d'air chaud à son emplacement d'installation (passages, entrées de porte, escaliers, etc.).
- Le générateur d'air chaud doit être installé de façon à ce que tous les composants électriques soient protégés contre l'eau.
- Le générateur d'air chaud doit être installé en amont d'un système de réfrigération. (S'il y a lieu.)
- Le bouchon de l'armoire doit toujours être utilisé pour fermer le trou sur le côté générateur d'air chaud lorsqu'on fait tourner l'inducteur.
- Le générateur d'air chaud requiert des méthodes d'installation et des matériaux de ventilation spéciaux. Consulter les page 7, page 8, page 9, et page 10 pour les directives et les caractéristiques techniques de la ventilation.

Générateurs d'air chaud à flux ascendant

AVERTISSEMENT :

Le générateur d'air chaud ne doit pas être installé directement sur du tapis, des carreaux ou tout autre matériau combustible autre qu'un plancher de bois.

Les générateurs d'air chaud au gaz de la série *TE sont expédiés avec le panneau inférieur installé, comme indiqué dans la Figure 26 (page 30). Si le générateur d'air chaud est installé avec reprise latérale, il ne faut pas retirer le panneau inférieur. Si le générateur d'air chaud est installé avec reprise à la base, il faut retirer le panneau inférieur. Voir la section Démontage du panneau inférieur à la page 19.

Générateurs d'air chaud à flux descendant

AVERTISSEMENT :

Le générateur d'air chaud ne doit pas être installé directement sur du tapis, des carreaux ou tout autre matériau combustible autre qu'un plancher de bois.

AVERTISSEMENT :

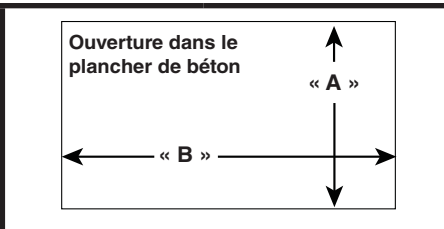
Le défaut d'installer la trousse de socle d'appareil à flux descendant risque de causer un incendie, des dommages matériels ou des blessures.

Pour installer le générateur d'air chaud sur un plancher en matériau combustible, un socle spécial est requis. Les trousse de socle d'appareil à flux descendant sont des accessoires fournis en usine et sont classées selon la lettre de l'armoire du générateur d'air chaud. Pour les armoires de dimension « B », « C » et « D », utiliser la trousse n° 904911. **Veillez suivre les directives fournies avec la trousse.**

Une trousse de socle d'appareil à flux descendant n'est pas nécessaire si le générateur d'air chaud est installé sur un serpentin de climatisation à boîtier fabriqué en usine ou sur place. Toutefois, le plénum fixé au boîtier du serpentin doit être installé afin que ses surfaces se trouvent à au moins un pouce d'une construction combustible.

Installation sur une dalle de béton

1. Créer une ouverture dans le plancher conformément aux dimensions du [Tableau 3](#).
2. Disposer le plénum et le générateur d'air chaud comme indiqué à la [Figure 11](#).



DIMENSION DE L'ARMOIRE	DIM. «A»	DIM. «B»
B	16 5/8 po	19 1/4 po
C	20 1/8 po	19 1/4 po
D	23 5/8 po	19 1/4 po

REMARQUE : Les dimensions sont indiquées en pouces.

Tableau 3. Dimensions de la découpe

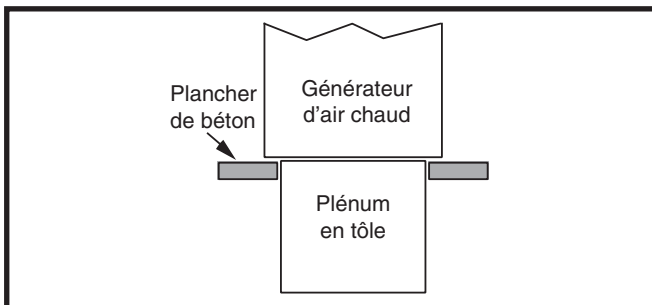


Figure 11. Générateur d'air chaud sur une dalle de béton

Options d'inducteur et de ventilation

Pour accroître la souplesse de l'installation, il est possible de tourner les inducteurs à deux positions différentes (**armoires de largeur « B », « C » et « D » seulement**). Chaque configuration présente des exigences légèrement différentes relativement à l'élimination du condensat et, dans certains cas, il est nécessaire d'assurer l'étanchéité de l'armoire du générateur d'air chaud. **Pour les armoires de largeur « A », le conduit d'évent peut uniquement sortir par le dessus de l'armoire.**

Avant d'utiliser le [Tableau 4](#), il faut connaître le nombre de conduits (1 conduit ou 2 conduits) raccordés au générateur d'air chaud. Trouver le bon type de générateur d'air chaud (flux ascendant, horizontal, flux descendant) puis le côté par lequel les conduits sortent du générateur d'air chaud. Choisir finalement l'option qui correspond le mieux au type d'installation dans les [Figure 35 \(page 45\)](#) et [Figure 36 \(page 46\)](#).

REMARQUE : Il est important que les systèmes à évacuation directe (2 conduits) maintiennent un passage du débit étanche à l'air entre l'admission d'air et la sortie des gaz de combustion. Le générateur d'air chaud est expédié de l'usine avec deux trous dans l'armoire pour l'admission d'air et la sortie des gaz de combustion. Dans certaines configurations, il est nécessaire de retirer et de déplacer un couvercle en plastique dans l'armoire du générateur d'air chaud. En cas de changement de position de l'admission d'air et de la sortie des gaz d'échappement, il est nécessaire d'obturer le trou précédent avec le couvercle en plastique pour maintenir l'étanchéité à l'air dans le générateur d'air chaud. L'emplacement des trous des générateurs d'air chaud *TE et *TN est indiqué à la [Figure 28 \(page 38\)](#).

ARMOIRES DE LARGEUR B, C ET D			
	ÉVENT	FLUX ASCENDANT	FLUX DESCENDANT
OPTIONS 1 CONDUIT	Droit	Option 1	Option 5
	Ascendant	S.o.	Option 6
	Gauche	Option 2	Option 7
OPTIONS 2 CONDUITS	Droit	Option 3	Option 8
	Ascendant	S.o.	Option 9
	Gauche	Option 4	Option 10

Tableau 4. Options d'évent et de souffleur d'inducteur

AVERTISSEMENT :

Il faut réaliser la rotation de l'inducteur avant de raccorder le générateur d'air chaud au gaz et à l'électricité. Si les deux services ont été raccordés, suivre les procédures d'arrêt imprimées sur l'étiquette du générateur d'air chaud et débrancher l'alimentation électrique.

MISE EN GARDE :

Il est recommandé d'étiqueter tous les fils avant le débranchement. Les erreurs de câblage peuvent causer un fonctionnement incorrect et dangereux.

1. Débrancher le faisceau de câbles électrique de l'inducteur.
2. Retirer le fil de mise à la terre de l'inducteur du plateau ou de la porte du souffleur.
3. Générateurs d'air chaud à flux ascendant : Retirer les quatre vis fixant l'inducteur à la boîte de retour.
Générateurs d'air chaud à flux descendant : Retirer les trois vis fixant l'inducteur à la boîte de retour.
4. Retirer le tuyau d'écoulement du drain en ligne.
5. Faire tourner l'inducteur jusqu'à sa nouvelle position.
6. Fixer l'inducteur à la boîte de retour en reposant les quatre vis. **REMARQUE** : Une vis supplémentaire est fournie dans l'ensemble de pièces des générateurs d'air chaud à flux descendant.
7. Retirer le bouchon de l'armoire du côté générateur d'air chaud et le reposer dans le trou du côté opposé de l'armoire.
8. Raccorder tous les drains de condensat nécessaires à l'installation. Consulter le [Tableau 4 \(page 16\)](#) et les [Figure 35 \(page 45\)](#) et [Figure 36 \(page 46\)](#).
9. Rebrancher le faisceau de câbles électriques à l'inducteur.
10. Rebrancher le fil de mise à la terre de l'inducteur sur le plateau ou sur la porte du souffleur.
11. Vérifier le bon fonctionnement comme il est indiqué sur l'étiquette du générateur d'air chaud.

Tube de pressostat

La [Figure 12](#) illustre l'acheminement approprié tube de pressostat pour les générateurs d'air chaud *TE. Tous les générateurs d'air chaud à flux ascendant/horizontaux sont munis de deux paires de contacteurs. Un jeu est raccordé au robinet statique de l'inducteur et l'autre jeu est raccordé au boîtier collecteur. Les générateurs d'air chaud à flux descendant requièrent uniquement une paire de contacteurs raccordés au robinet thermostatique de l'inducteur. Voir la [Figure 13](#).

Accessoires

Les composants illustrés à la [Figure 14 \(page 18\)](#) et à la [Figure 15 \(page 18\)](#) sont inclus dans le sac de pièces supplémentaires fourni avec les générateurs d'air chaud *TE/*TN. Selon le type d'installation, certains de ces composants sont facultatifs et peuvent ne pas être utilisés. Veuillez vous reporter aux descriptions et aux figures d'accompagnement pour installer ces éléments.

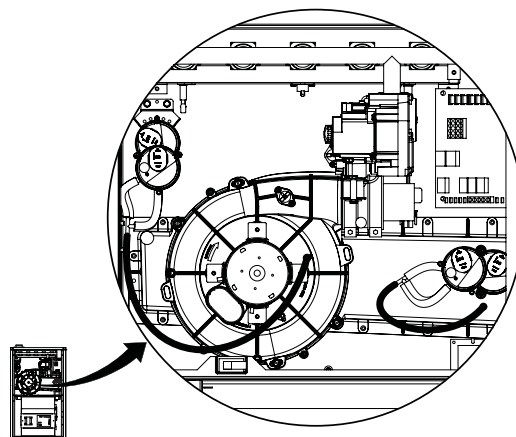


Figure 12. Tube de pressostat pour générateurs d'air chaud à flux ascendant *TE

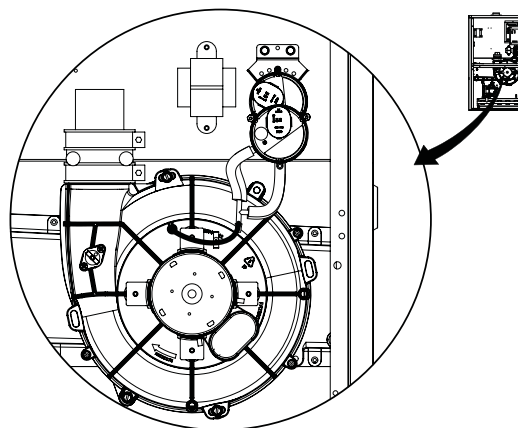


Figure 13. Tube de pressostat pour générateurs d'air chaud à flux descendant *TN

Bride de finition

La bride de finition doit être installée pour faire sortir le conduit d'air de combustion par le dessus du générateur d'air chaud. **REMARQUE** : Pour une installation appropriée, il est important d'aligner le conduit et les trous de vis dans la bride de finition, le joint d'étanchéité et l'armoire.

1. Placer le joint d'étanchéité de la bride sur le trou dans l'armoire du générateur d'air chaud.
2. Placer la bride de finition sur le dessus du joint d'étanchéité de bride. **REMARQUE** : S'assurer que la bride est bien orientée de façon à ce que le lettrage AVANT soit situé à proximité de l'avant du générateur d'air chaud, comme indiqué à la [Figure 14](#).
3. Fixer la bride et le joint d'étanchéité à l'armoire avec trois vis à tôle fournies sur place.

Passe-fils en caoutchouc

Le passe-fils en caoutchouc de 2 1/4 po est utilisé pour assurer l'étanchéité de l'ouverture entre l'armoire du générateur d'air chaud et le conduit d'évent en PVC de 2 po. Il faut installer le passe-fils en caoutchouc dans le trou de 3 po avant de sortir le conduit d'évent de l'armoire. Aucun produit d'étanchéité n'est requis. Consulter la [Figure 14](#).

Le passe-fils en caoutchouc de 7/8 po est utilisé pour assurer l'étanchéité de l'ouverture entre l'armoire du générateur d'air chaud et le conduit de gaz. Il faut installer le passe-fils en caoutchouc dans le trou de 1 5/8 po avant de sortir le conduit de gaz de l'armoire. Aucun produit d'étanchéité n'est requis.

Le passe-fils en caoutchouc de 3/4 po est utilisé si le conduit d'évent sort du côté gauche de l'armoire et que le tube d'écoulement traverse le plateau du souffleur. Retirer le bouchon en plastique du trou et installer le passe-fils avant d'acheminer le tube d'écoulement.

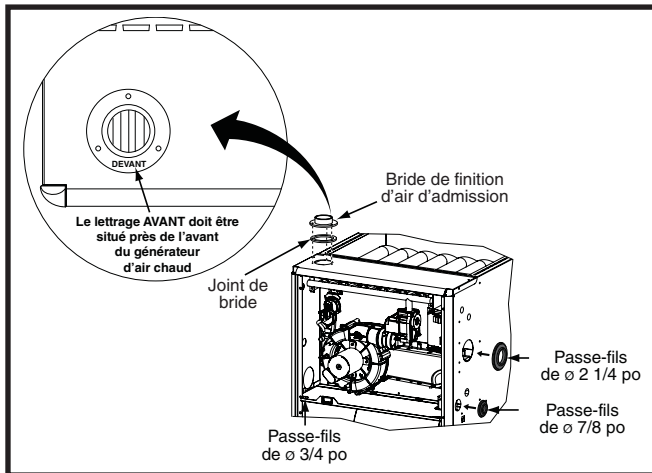


Figure 14. Bride de finition et passe-fils en caoutchouc

Composants en PVC

REMARQUES IMPORTANTES :

- Avant d'installer ces composants de façon permanente, il est recommandé de les monter à sec pour garantir leur bon ajustement et alignement avec les autres conduits d'évent.
- Le conduit en PVC de 2 po illustré à la Figure 15 n'est pas fourni dans le sac de pièces supplémentaires.
- Le té et le siphon en PVC ne sont pas fournis avec les générateurs d'air chaud *TN. Toutefois, le siphon en PVC (n° de pièce 664659) peut être acheté auprès du distributeur de votre région.

Le té et le siphon en PVC de 2 po sont utilisés lorsque l'inducteur est orienté pour faire sortir l'évent du côté gauche ou du côté droit de l'armoire du générateur d'air chaud. Consulter la Figure 15.

Le raccord cannelé 1/2 po x 3/4 po peut être utilisé pour acheminer le drain à condensat à l'extérieur de l'armoire. Il doit être installé depuis l'intérieur de l'armoire en insérant l'extrémité fileté dans le trou de 1 1/16 po. Consulter la Figure 26 (page 30) pour l'emplacement du trou. Le drain à condensat doit être raccordé à l'extrémité cannelée. Fixer la conduite d'écoulement en PVC de 1 po à l'extrémité fileté.

Orientation typique

1. Installer le té en PVC à la verticale sur le conduit d'évent de 2 po qui sort par le côté de l'armoire. Coller les deux éléments ensemble de façon permanente au moyen de l'apprêt et de la colle appropriés. Se reporter à l'orientation typique illustrée à la Figure 15.
2. Installer le réducteur ou le siphon en PVC (s'il est fourni) sur l'extrémité inférieure du té en PVC. Coller les deux éléments ensemble de façon permanente au moyen de l'apprêt et de la colle appropriés.
3. Installer le raccord cannelé de 1/2 po x 1/2 po sur le réducteur en PVC de 2 po. **REMARQUE :** Ne pas trop serrer. Utiliser une quantité adéquate de ruban en Téflon sur les filets. Ne pas utiliser de produits d'étanchéité liquides.
4. Vérifier que tous les raccords et les joints sont bien ajustés et alignés avec les autres conduits d'évent.

Autre orientation

1. Installer le té en PVC à l'horizontale sur le conduit d'évent de 2 po qui sort par le côté de l'armoire. Coller les deux éléments ensemble de façon permanente au moyen de l'apprêt et de la colle appropriés. Se reporter à l'autre orientation illustrée à la Figure 15.
2. Installer le coude en PVC de 2 po à l'extrémité du té en PVC de 2 po. Coller les deux éléments ensemble de façon permanente au moyen de l'apprêt et de la colle appropriés.
3. Installer le réducteur ou le siphon en PVC (s'il est fourni) sur l'extrémité inférieure du té en PVC. Coller les deux éléments ensemble de façon permanente au moyen de l'apprêt et de la colle appropriés.
4. Installer le raccord cannelé de 1/2 po x 1/2 po sur le réducteur en PVC de 2 po. **REMARQUE:** Ne pas trop serrer. Utiliser une quantité adéquate de ruban en Téflon sur les filets. Ne pas utiliser de produits d'étanchéité liquides.
5. Vérifier que tous les raccords et les joints sont bien ajustés et alignés avec les autres conduits d'évent.

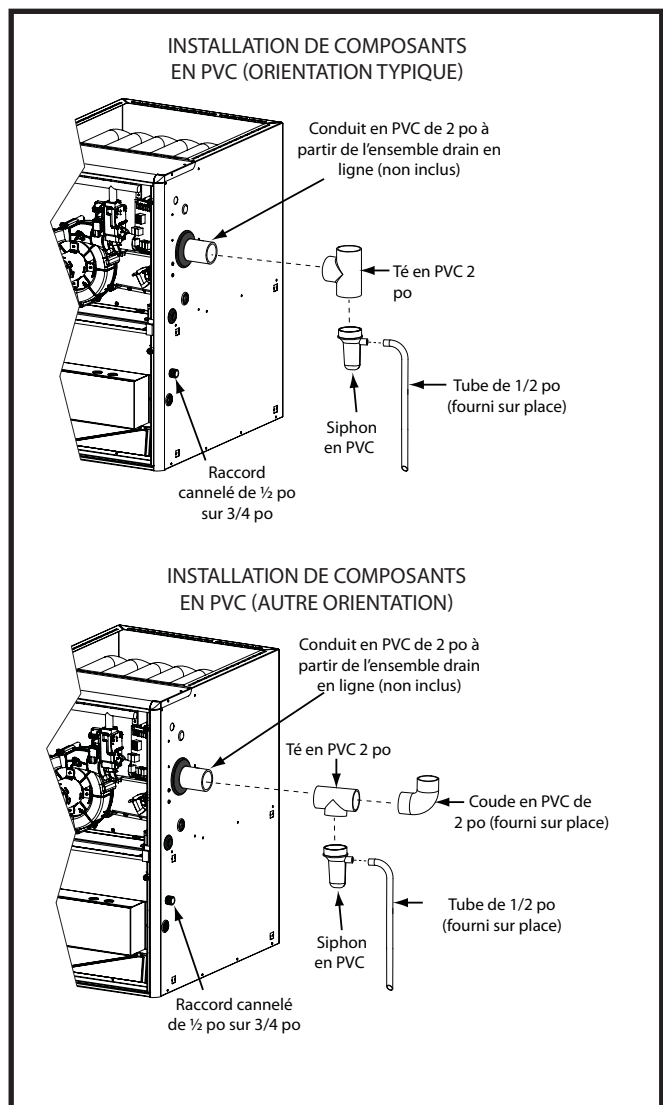


Figure 15. Composants en PVC

Conduites d'écoulement de condensat

REMARQUE IMPORTANTE

Si le générateur d'air chaud est installé dans un endroit où les températures chutent sous le point de congélation, il faut prendre des précautions spéciales pour isoler les conduites d'écoulement de condensat qui s'écoulent vers l'extérieur. Si le condensat gèle dans les conduites, cela entraîne le fonctionnement inapproprié du générateur d'air chaud ou des dommages au générateur d'air chaud. Il est recommandé d'envelopper toutes les conduites d'écoulement à l'extérieur de la résidence avec un isolant ou un matériau de qualité industrielle autorisé par les codes locaux.

L'emplacement des conduites d'écoulement de condensat dépend de la configuration choisie dans le [Tableau 4, \(page 16\)](#). Les conduites d'écoulement peuvent être acheminées par le côté gauche ou le côté droit du générateur d'air chaud, mais doivent conserver une pente descendante pour assurer un écoulement approprié du condensat.

Il peut être nécessaire de tourner le siphon en J du côté qui correspond à la configuration des [Figure 35 \(page 45\)](#) et [Figure 36 \(page 46\)](#). Pour tourner le siphon en J, desserrer le collier de serrage de la conduite d'écoulement, tourner le siphon en J d'un côté ou l'autre et resserrer le collier de serrage.

TROIS RÈGLES GÉNÉRALES S'APPLIQUENT :

- Chaque conduite d'écoulement de condensat dans le four doit être dotée d'un siphon en J ou d'une boucle fournie sur place. Une fois chaque conduite d'écoulement de condensat munis d'un siphon, il est possible de combiner les drains.
- Il doit toujours y avoir un drain raccordé au collecteur à la sortie de l'échangeur de chaleur secondaire.
- Il doit toujours y avoir un drain au point le plus bas du système d'évacuation. **REMARQUE:** En cas d'utilisation d'une pompe à condensat, la conduite d'écoulement du générateur d'air chaud doit être installée au-dessus de la conduite d'eau de la pompe.

EXCEPTIONS ET CLARIFICATIONS DES RÈGLES GÉNÉRALES:

- Dans certains cas, le point le plus bas du système d'évacuation se trouve au point de raccordement avec l'inducteur. Dans cette situation, un drain à cet emplacement est suffisant.
- Si l'évent sort du générateur d'air chaud à l'horizontale, on peut utiliser un té pour tourner l'évent à la verticale. **Le collecteur de condensat formé par le té doit comprendre un drain (Option 1, Option 2, Option 3, Option 4, Option 5, Option 6, Option 7, Option 10).**
- Dans certains cas, il est permis de laisser l'inducteur se vider dans le drain supérieur du collecteur ([Option 1](#), [Option 4](#), [Option 5](#), [Option 6](#), [Option 8](#) et [Option 9](#)). Pour garantir l'écoulement approprié du condensat, s'assurer que la conduite d'écoulement ne s'affaisse pas ou ne s'entortille pas. Il peut être nécessaire de couper le tube d'écoulement fourni avec le générateur d'air chaud.

Désassemblage du panneau inférieur

Les étapes ci-dessous indiquent comment retirer le panneau inférieur du générateur d'air chaud. Consulter la [Figure 16](#).

1. Retirer la porte (1) du compartiment de souffleur.
2. Débrancher du tableau de commande le faisceau de câbles du moteur de souffleur (2).

3. Retirer deux vis (3) qui fixent le souffleur (4) au générateur d'air chaud.
4. Tirer soigneusement sur le souffleur (4) pour le sortir par l'avant du générateur d'air chaud.
5. Retirer toutes les vis (5) qui fixent le panneau inférieur (6) à la base du générateur d'air chaud et au renfort avant (7).
6. Soulever et glisser le panneau inférieur (6) pour le sortir par l'avant du générateur d'air chaud.
7. Reposer le souffleur (4) dans l'ordre inverse.

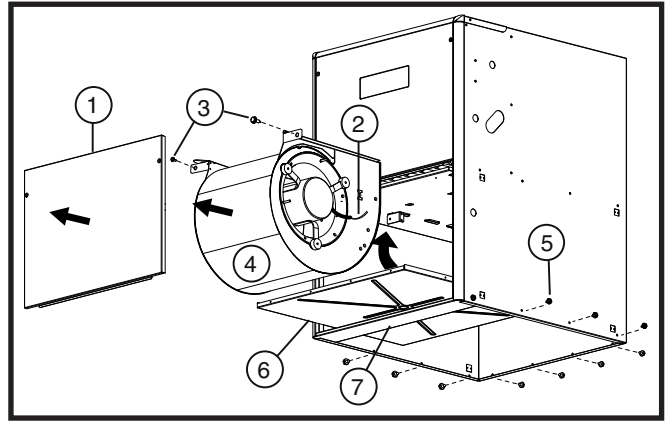


Figure 16. Désassemblage du panneau inférieur

Autre méthode de désassemblage du panneau inférieur

S'il n'est pas possible de retirer le panneau inférieur au moyen des directives précédentes, les étapes ci-dessous constituent une autre méthode pour retirer le panneau inférieur. Voir la [Figure 17](#).

1. Retirer la porte (1) du compartiment de souffleur.
2. Retirer toutes les vis qui fixent le panneau inférieur (2) au renfort avant (3).
3. Retirer deux vis (4) qui fixent l'armoire du générateur d'air chaud au plateau (5) du souffleur.
4. Retirer toutes les vis (6) qui fixent l'armoire du générateur d'air chaud au panneau inférieur (2).
5. Retirer les vis (7) qui fixent le coin inférieur de l'armoire du générateur d'air chaud au renfort avant (3).
6. Ecarter soigneusement le coin inférieur de l'armoire de générateur d'air chaud vers l'extérieur tout en glissant le panneau inférieur (2) pour le sortir par l'avant du générateur d'air chaud.
7. Réassembler le générateur d'air chaud dans l'ordre inverse.

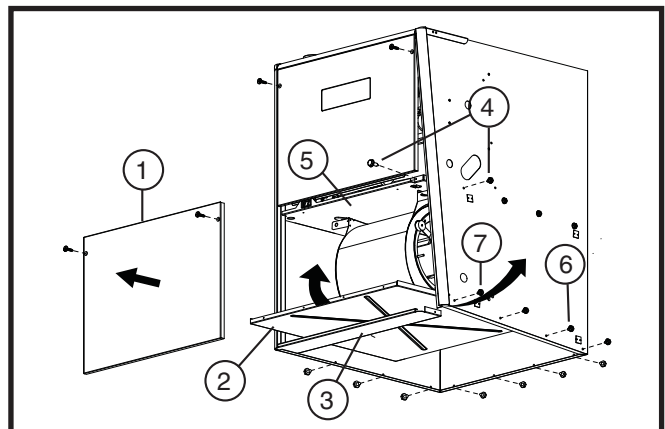


Figure 17. Autre méthode de désassemblage

ALIMENTATION EN GAZ ET TUYAUTERIE

AVERTISSEMENT :

RISQUE D'INCENDIE OU D'EXPLOSION

- Le non-respect des avertissements de sécurité pourrait entraîner des blessures graves ou des dommages matériels.
- L'installation et l'entretien doivent être effectués par un installateur qualifié, un organisme de service ou le fournisseur de gaz.
- Ne pas entreposer ni utiliser de l'essence ni d'autres vapeurs ou liquides inflammables dans le voisinage de cet appareil, ni de tout autre appareil.

QUE FAIRE S'IL Y A UNE ODEUR DE GAZ

- Ne tentez pas d'allumer quelque appareil que ce soit.
- Ne touchez à aucun interrupteur électrique; n'utilisez pas de téléphone dans votre immeuble.
- Évacuer l'immeuble immédiatement.
- Appelez immédiatement votre fournisseur de gaz à l'aide du téléphone d'un voisin. Suivez les directives données par le fournisseur de gaz.
- Si vous ne pouvez pas joindre le fournisseur de gaz, appelez les pompiers.

- Toute la tuyauterie de gaz doit être installée conformément aux codes locaux et à la réglementation des services publics. Dans le cas où il n'y aurait pas de codes locaux, l'installation de la conduite de gaz doit être conforme à la plus récente édition du National Fuel Gas Code (ANSI Z223.1) ou aux Codes d'installation (CAN/CSA B149.1 ou .2).
- Certaines réglementations locales exigent l'installation d'un robinet d'arrêt principal manuel et d'un raccord-union de mise à la terre à l'extérieur du générateur d'air chaud. Le robinet d'arrêt doit être facilement accessible pour l'entretien ou l'utilisation d'urgence. Communiquer avec le service public local ou le fournisseur de gaz pour connaître les exigences supplémentaires relatives à l'emplacement du robinet d'arrêt de gaz principal manuel. Consulter la [Figure 18 \(page 21\)](#).
- La tuyauterie de gaz ne doit jamais être acheminée dans ou à travers des conduits, des cheminées, des événements à gaz ou des puits d'ascenseur.
- Les composés utilisés sur les joints filetés de la tuyauterie de gaz doivent résister à l'action des gaz de pétrole liquéfié.
- L'installateur doit étiqueter correctement le robinet de gaz principal et le sectionneur principal du générateur d'air chaud en cas de nécessité d'un arrêt d'urgence.
- Les raccords de gaz flexibles ne sont pas recommandés pour ce type de générateur d'air chaud, mais peuvent être utilisés si les autorités compétentes locales l'autorisent. Seuls des raccords flexibles neufs peuvent être utilisés. Ne pas réutiliser les anciens raccords de gaz flexibles.
- Il faut installer un collecteur de condensat dans la longueur de conduit verticale acheminée jusqu'à l'appareil. Consulter la [Figure 18](#).

Le [Tableau 10 \(page 35\)](#) indique les capacités de débit de gaz pour les dimensions de conduit standard comme fonction de la longueur dans les applications typiques, basées sur la chute de pression nominale dans la conduite.

REMARQUE : Le générateur d'air chaud de largeur « A » peut uniquement être installé avec une entrée de gaz du côté droit. Les générateurs d'air chaud de largeur « B », « C » et « D » peuvent être installés avec une entrée de gaz du côté droit ou du côté gauche.

Au moment de raccorder l'alimentation en gaz, prévoir un dégagement entre la conduite d'alimentation de gaz et le trou d'entrée dans le boîtier du générateur d'air chaud pour éviter les bruits non désirés ou les dommages au générateur d'air chaud. Raccordements de gaz typiques, comme indiqué à la [Figure 18](#).

Essai d'étanchéité

AVERTISSEMENT :

RISQUE D'INCENDIE OU D'EXPLOSION

Le non-respect des avertissements de sécurité pourrait entraîner des blessures graves, la mort ou des dommages matériels.

Ne jamais utiliser une flamme nue pour vérifier la présence de fuites de gaz. Pour la vérification de tous les joints, utiliser plutôt une solution savonneuse commerciale fabriquée spécifiquement pour la détection des fuites de gaz. Un incendie ou une explosion peut entraîner des dommages matériels, des blessures ou la mort.

Une fois le raccordement de la tuyauterie de gaz au générateur d'air chaud terminé, il faut soumettre tous les raccords à un essai d'étanchéité au gaz. Cela inclut les raccordements de conduit au robinet de gaz principal, au robinet d'arrêt d'urgence et au raccords de gaz flexibles (s'il y a lieu). La solution d'eau savonneuse peut être appliquée sur chaque joint ou raccord-union avec un petit pinceau. Si on observe des bulles, le raccord n'est pas étanche et doit être resserré. Répéter le processus de serrage et de vérification à l'eau savonneuse jusqu'à ce qu'il n'y ait plus de bulles.

REMARQUE IMPORTANTE

Au moment de soumettre les conduites d'alimentation de gaz à un essai de pression à des pressions supérieures à 1/2 psig (14 po c.e.), il faut débrancher la tuyauterie d'alimentation de gaz du générateur d'air chaud pour éviter d'endommager la soupape de régulation de gaz. Si l'essai de pression est inférieur ou égal à 1/2 psig (14 po c.e.), fermer le robinet d'arrêt manuel.

Utilisation à haute altitude (gaz naturel seulement)

L'installation de ce générateur d'air chaud à une altitude supérieure à 2 000 pieds doit répondre aux exigences du National Fuel Gas Code ou de l'autorité compétente de votre région. Au Canada, les exigences relatives à une installation en haute altitude sont différentes et régies par la norme CSA B149.1. Veuillez consulter l'autorité compétente de votre région.

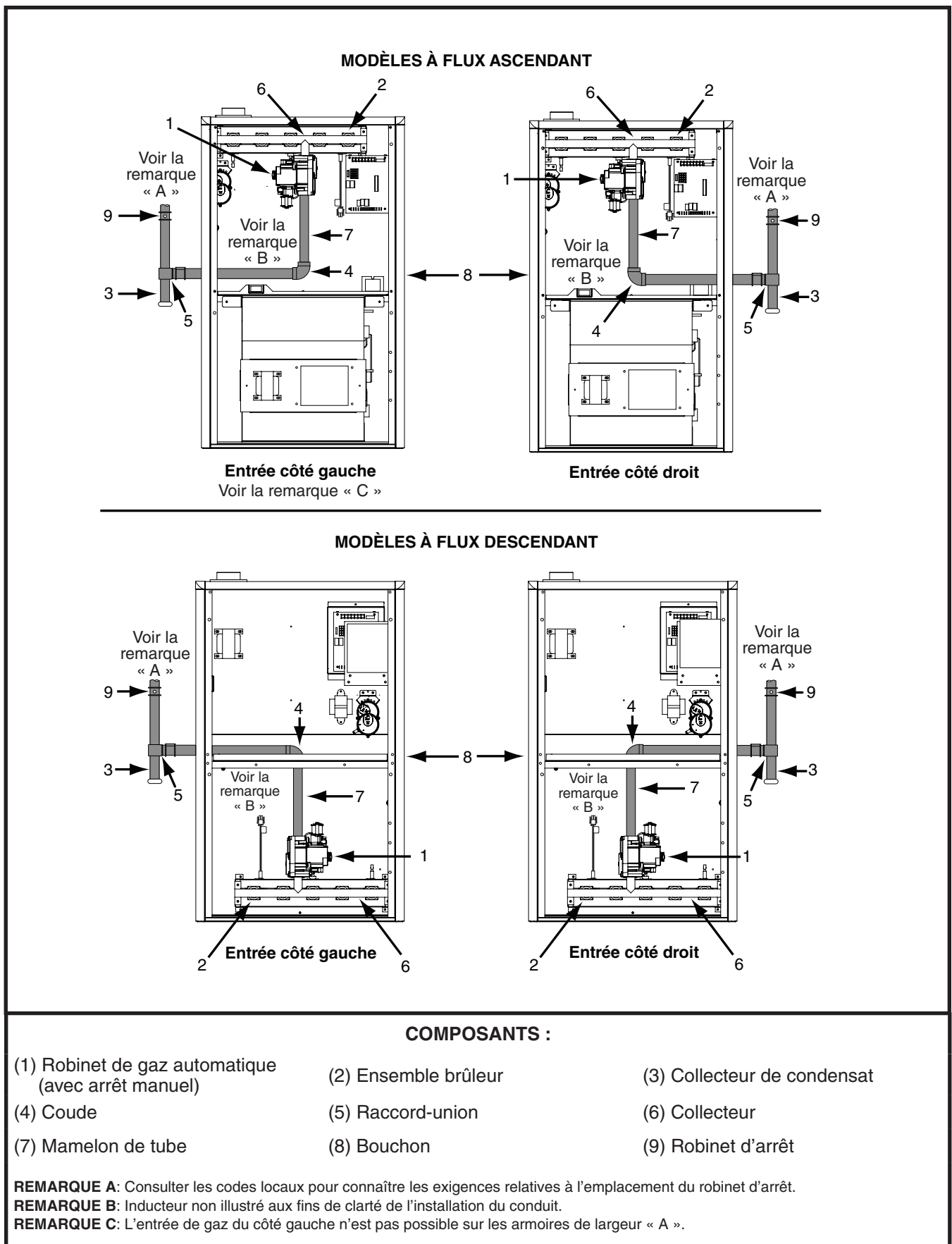


Figure 18. Raccordements de gaz typiques

AVERTISSEMENT:

La réduction du débit calorifique nécessaire pour une installation à haute altitude peut uniquement être réalisée avec des orifices fournis à l'usine. Ne pas tenter de percer des orifices sur place. Des orifices mal percés peuvent causer un incendie, une explosion, un empoisonnement au monoxyde de carbone, des blessures ou la mort.

Les générateurs d'air chaud sont expédiés de l'usine avec des orifices et des réglages de régulateur de gaz pour un fonctionnement au gaz naturel à des altitudes correspondant au niveau de la mer. À 2 000 pieds, le code NFGC exige que la capacité de cet appareil soit déclassée de 4 % par 1 000 pieds d'altitude. Par exemple, le débit calorifique doit être réduit de 8 % à 2 000 pieds, de 12 % à 3 000 pieds, etc. Ce déclassement fait référence au débit calorifique et à la valeur calorifique du gaz au niveau de la mer.

Pour déclasser le générateur d'air chaud, il faut connaître la valeur calorifique du gaz sur le lieu d'installation. Les valeurs calorifiques sur des sites de travail particuliers varient pour deux raisons :

1. Le mélange chimique du gaz varie d'une région à l'autre et est exprimé comme la « valeur calorifique au niveau de la mer ».
2. La valeur de chauffage varie en fonction de l'altitude. Pour cette raison, particulièrement dans les régions à haute altitude, le fournisseur de gaz local précise normalement la valeur calorifique au compteur de gaz de la résistance comme la « valeur locale ».

Pour davantage de souplesse, nous fournissons deux tableaux pour les installations au gaz naturel avec des valeurs calorifiques élevées ou faibles au niveau de la mer. Les [Tableau 13 \(page 37\)](#) et [Tableau 14 \(page 37\)](#) indiquent les dimensions d'orifice et la pression d'admission à utiliser à différentes altitudes. Le [Tableau 13 \(ÉLEVÉE\)](#) concerne les installations au gaz naturel avec une valeur calorifique supérieure à 1 000 BTU par pied cube et le [Tableau 14 \(FAIBLE\)](#) concerne les valeurs calorifiques inférieures à 1 000 BTU par pied cube. Pour déterminer quel tableau utiliser:

1. Consulter le fournisseur local pour connaître la valeur calorifique locale de l'installation.
2. Dans le [Tableau 12 \(page 36\)](#), rechercher la valeur calorifique locale indiquée par le fournisseur. Parcourir la colonne vers le bas et arrêter à l'altitude où est réalisé l'installation.
3. Si la valeur calorifique au niveau de la mer est ÉLEVÉE, utiliser le [Tableau 13](#) ou si elle est FAIBLE, utiliser le [Tableau 14](#). Voir l'exemple.

EXEMPLE

Élévation : 5 000 pieds
Type de gaz : Gaz naturel
Valeur calorifique locale du gaz : 750

Dans le [Tableau 12](#), rechercher la valeur 750 et parcourir la colonne vers le bas, puis arrêter à la rangée 5 000 pieds. La valeur calorifique indiquée est FAIBLE. Le [Tableau 14](#) est utilisé pour déterminer la dimension de l'orifice et la pression d'admission.

Après avoir changé la pression du régulateur ou les orifices, il est nécessaire de mesurer le débit d'admission du gaz. Cela peut être réalisé de la façon habituelle, c'est-à-dire en chronométrant le compteur de gaz et en utilisant la valeur calorifique du gaz locale. Se reporter à la section Vérification et réglage du débit calorifique ([page 26](#)).

REMARQUE IMPORTANTE

Observer le comportement des brûleurs pour s'assurer il n'y a aucun jaunissement, soulèvement ou retour de la flamme.

Conversion du gaz naturel au gaz propane (GPL)

AVERTISSEMENT :

Le générateur d'air chaud est expédié de l'usine équipé pour fonctionner au gaz naturel. La conversion au gaz propane (GPL) doit être réalisée par un technicien qualifié avec une trousse de conversion fournie à l'usine. L'utilisation de la mauvaise trousse de conversion peut causer un incendie, une explosion, des dommages matériels, un empoisonnement au monoxyde de carbone, des blessures ou la mort.

La conversion au gaz propane (GPL) est détaillée dans les directives d'installation fournies avec la trousse de conversion. En général, la conversion requiert le remplacement des orifices de brûleur et de l'ensemble ressort du régulateur de pression. Les trousse de conversion approuvées sont indiquées ci-dessous :

- **Installations aux États-Unis :** Pour les installations aux États-Unis, utiliser la trousse de conversion au GPL et au GPL en haute altitude (N/P 90414) pour la conversion au gaz propane (GPL) ou les installations de gaz de pétrole liquéfié à une altitude située entre 2 000 pi et 10 000 pi au-dessus du niveau de la mer. **Veillez suivre les directives fournies avec la trousse.**
- **Installations au Canada :** Pour les installations au Canada, utiliser la trousse de conversion au GPL et au GPL en haute altitude (N/P 904915) pour la conversion au gaz propane (GPL) ou les installations de gaz propane à une altitude située entre 0 pi et 4 500 pi au-dessus du niveau de la mer. **Veillez suivre les directives fournies avec la trousse.**

Si l'installation est réalisée aux États-Unis à une altitude supérieure à 2 000 pi, consulter le [Tableau 11 \(page 36\)](#) pour déterminer la dimension de l'orifice et la pression du régulateur appropriées. Voir l'exemple ci-dessous.

EXEMPLE

Élévation : 5 000 pieds
Type de gaz : Propane
Débit calorifique en BTU/h du générateur
d'air chaud : 80 000

Dans le [Tableau 11](#), rechercher la valeur 5 000 et parcourir la rangée, puis arrêter à la colonne 80 000 BTU/h. Au premier stade, la pression d'admission indiquée est de 4,2, mais au deuxième stade la pression est de 9,0. La dimension de l'orifice indiquée 56.

Une fois la conversion terminée, vérifier que la pression d'admission et le débit calorifique correspondent aux valeurs des tableaux.

CÂBLAGE ÉLECTRIQUE

AVERTISSEMENT :

RISQUE DE DÉCHARGE ÉLECTRIQUE, D'INCENDIE OU D'EXPLOSION

Le non-respect des avertissements de sécurité pourrait entraîner des blessures graves ou des dommages matériels.

Un entretien inapproprié peut provoquer un fonctionnement dangereux, des blessures graves, la mort ou des dommages matériels.

- Avant toute intervention, couper l'alimentation électrique du générateur d'air chaud.
- Pour l'entretien des commandes, étiqueter tous les fils avant de les débrancher. Rebrancher les fils correctement.
- Vérifier le bon fonctionnement après l'intervention.

- Les branchements électriques doivent être conformes à tous les codes locaux applicables et à la révision actuelle du Code d'électricité national (ANSI/NFPA 70).
- Pour les installations canadiennes, les branchements électriques et la mise à la terre doivent être conformes au Code canadien de l'électricité actuel (CSA C22.1 ou codes locaux).

REMARQUE IMPORTANTE :

- En cas de remplacement de n'importe quel fil d'origine fourni avec le générateur d'air chaud, le fil de remplacement doit être en cuivre et avoir une résistance à une température de 40 °C (105 °F). Pour connaître les caractéristiques électriques, consulter la plaque signalétique du générateur d'air chaud ou le [Tableau 5 \(page 23\)](#).

Câblage de tension de ligne

Il est recommandé que la tension de ligne (115 V c.a.) fournie au générateur d'air chaud provienne d'un circuit de dérivation dédié muni d'un fusible ou d'un disjoncteur approprié pour le générateur d'air chaud. Voir le [Tableau 5](#) ci-dessous.

REMARQUES IMPORTANTES :

- Un sectionneur doit être installé à un emplacement facilement accessible et visible depuis le générateur d'air chaud. Consulter la [Figure 19](#) ou l'étiquette de schéma de câblage à l'intérieur de la porte de commande. Tout autre méthode de câblage doit être acceptable par l'autorité compétente.
- Il faut maintenir la polarité de tension de ligne appropriée afin que le système de commande fonctionne correctement. Vérifier que la ligne neutre entrante est raccordée au fil blanc et que la ligne SOUS TENSION entrante est connectée au fil noir. Le générateur d'air chaud ne fonctionne pas si la polarité et la mise à la terre sont mal branchés, comme indiqué dans la [Figure 19](#).

Mise à la terre

AVERTISSEMENT :

Pour réduire les risques de blessures, l'armoire du générateur d'air chaud doit être dotée d'une mise à la terre électrique ininterrompue ou non coupée. Pour fonctionner correctement, les commandes de ce générateur d'air chaud requièrent une mise à la terre. Les méthodes acceptables comprennent un fil électrique ou une canalisation de mise à la terre approuvée. Ne pas utiliser de tuyauterie de gaz en guise de mise à la terre électrique.

Thermostat/Raccordements basse tension

- Le générateur d'air chaud est conçu pour être régulé par un thermostat 24 V c.a. Le câblage du thermostat doit respecter les normes actuelles du Code national de l'électricité (ANSI/NFPA 70) ainsi que les codes locaux applicables.
- Le jumelage des fours à deux étages n'est plus supporté. Veuillez contacter votre distributeur de four pour plus de détails.
- Le thermostat doit être installé conformément aux directives fournies par le fabricant du thermostat. Les branchements basse tension (24 V c.a.) du thermostat sont raccordés à la plaque à bornes intégrée dans le générateur d'air chaud. Le calibre de fil minimal recommandé pour le câblage du thermostat est indiqué dans le [Tableau 5 \(page 23\)](#).

GÉNÉRATEUR D'AIR CHAUD ENTRÉE (BTU/H)	LARGEUR D'ARMOIRE (PO)	ALIMENTATION D'ÉLECTRICITÉ NOMINALE	TENSION MAXIMUM DE FONCTIONNEMENT	TENSION MINIMUM DE FONCTIONNEMENT	AMPÈRES MAXIMUM GÉNÉRATEUR D'AIR CHAUD	AMPÈRES MAXIMUM DU FUSIBLE OU DU DISJONCTEUR*
60 000	17 1/2	115-60-1	127	103	6,2	15
80 000	21	115-60-1	127	103	8,7	15
100 000	21	115-60-1	127	103	8,7	15
115 000	24 1/2	115-60-1	127	103	11,7	15

CALIBRE DE FIL DE THERMOSTAT	LONGUEUR DE FIL DE THERMOSTAT RECOMMANDÉE	
	2 FILS – CHAUFFAGE	4 OU 5 FILS – REFROIDISSEMENT
24	55 pi	25 pi
22	90 pi	45 pi
20	140 pi	70 pi
18	225 pi	110 pi

* Des fusibles ou des disjoncteurs temporisés sont requis.

Tableau 5. Longueur de fil et spécifications de tension

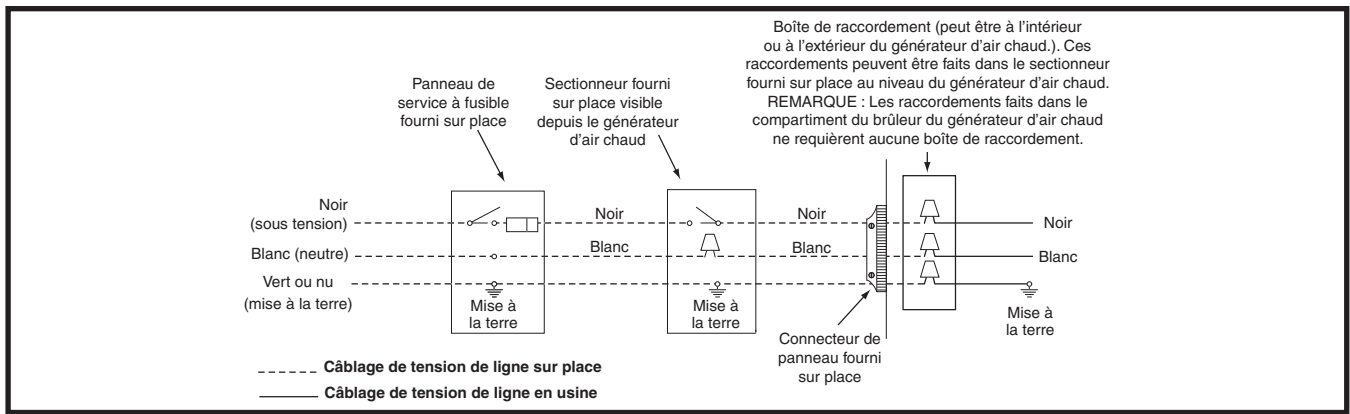


Figure 19. Câblage de tension de ligne sur place

- Le thermostat doit être monté à environ cinq pieds au-dessus du sol sur un mur intérieur. NE PAS installer le thermostat sur un mur extérieur ou à tout autre emplacement où la chaleur rayonnante d'un foyer, la lumière du soleil ou les appareils d'éclairage et la chaleur par convection des registres à air chaud ou des appareils électriques pourraient avoir une incidence négative sur son fonctionnement. Consulter la feuille d'instructions du fabricant du thermostat pour obtenir les renseignements de montage détaillés.
- Selon le type de conditionneur d'air et de thermostat utilisés, les deux applications de souffleur utilisent trois configurations de câblage de base.

Conditionneur d'air à un étage et thermostat à un étage

Cette option n'utilise pas l'ensemble des capacités de régulation à deux étages du générateur d'air chaud, mais l'option d'autorégulation temporisée est possible. Consulter également la section Autorégulation pour thermostats à un étage.

- Brancher la sortie **W** du thermostat à la borne **W1** des tableaux de commande du générateur d'air chaud. Ceci permet au générateur d'air chaud de toujours fonctionner en mode faible puissance. Consulter la Figure 20.
- Toujours brancher les bornes **C** et **R** du thermostat aux bornes **C** et **R** du tableau de commande du générateur d'air chaud.
- Pour le refroidissement, brancher le signal **Y** du thermostat aux bornes **Y/Y2** du tableau de commande du générateur d'air chaud.
- Les fils fournis sur place doivent toujours raccorder les signaux **Y/Y2** et **C** aux bornes **Y** et **C** du conditionneur extérieur.

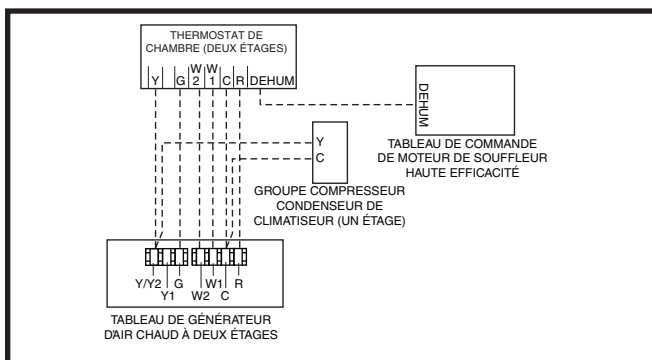


Figure 20. Configuration de câblage 1

Conditionneur d'air à un étage et thermostat à deux étages

Cette option utilise l'ensemble des capacités de chauffage à deux étages du générateur d'air chaud avec un conditionneur extérieur à un étage. Consulter la Figure 21.

- Brancher les sorties **W1** et **W2** du thermostat aux bornes **W1** et **W2** du tableau de commande du générateur d'air chaud.
- Toujours brancher les bornes **C** et **R** du thermostat aux bornes **C** et **R** du tableau de commande du générateur d'air chaud.
- Pour le refroidissement, brancher le signal **Y** du thermostat aux bornes **Y/Y2** du tableau de commande du générateur d'air chaud.
- Les fils fournis sur place doivent toujours raccorder les signaux **Y/Y2** et **C** aux bornes **Y** et **C** du conditionneur extérieur.

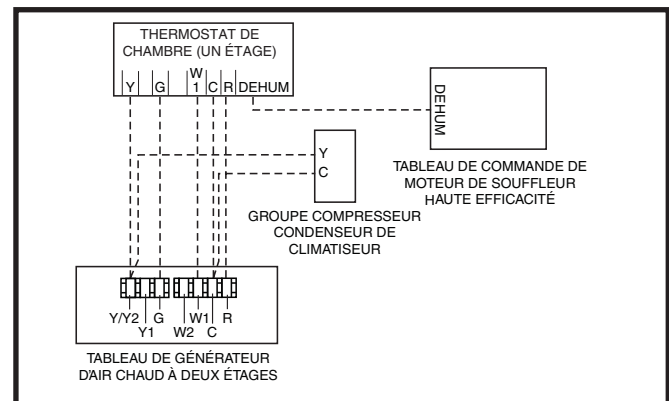


Figure 21. Configuration de câblage 2

Conditionneur d'air à deux étages et thermostat à deux étages

Cette option utilise l'ensemble des capacités de chauffage à deux étages du générateur d'air chaud avec un conditionneur extérieur à deux étages. Consulter la Figure 22 (page 25).

- Brancher les sorties **W1** et **W2** du thermostat aux bornes **W1** et **W2** du tableau de commande du générateur d'air chaud.
- Toujours brancher les bornes **C** et **R** du thermostat aux bornes **C** et **R** du tableau de commande du générateur d'air chaud.
- Pour le refroidissement, brancher les signaux **Y** et **Y1** du thermostat aux bornes **Y/Y2** et **Y1** du tableau de commande du générateur d'air chaud.
- Les fils fournis sur place doivent toujours raccorder les signaux **Y/Y2** et **Y1** aux bornes **Y** et **Y1** du conditionneur extérieur.
- Brancher la borne **C** à la borne **C** du conditionneur extérieur.

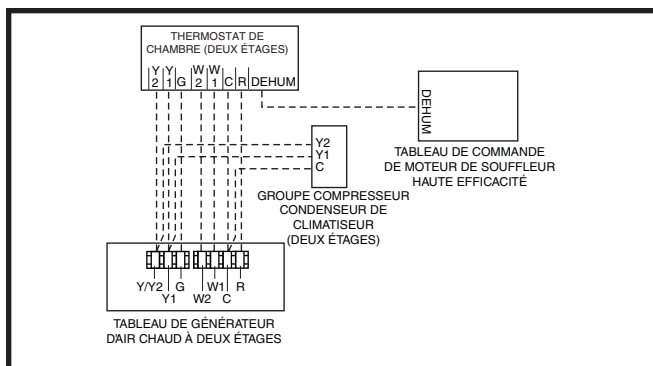


Figure 22. Configuration de câblage 3

Autorégulation pour thermostats à un étage

La fonction d'autorégulation permet l'utilisation d'un thermostat à un étage tout en profitant de certains des avantages du fonctionnement d'un générateur d'air chaud à deux étages. Si l'autorégulation est activée, le générateur d'air chaud passe au feu **DOUX** après avoir initialement démarré au feu **ÉLEVÉ**. Après une période de 10 minutes, le générateur d'air chaud passe au feu **ÉLEVÉ**, jusqu'à ce que la charge calorifique soit atteinte. Consulter la [Figure 20 \(page 24\)](#) et la section Branchement basse tension à la [page 23](#).

L'option d'autorégulation du tableau de commande du générateur d'air chaud est choisie au moyen du cavalier d'autorégulation situé à proximité de la plaque à bornes du thermostat. Consulter la [Figure 29 \(page 38\)](#). Lorsque le cavalier d'autorégulation est déplacé de **ARRÊT** à **MARCHE**, les événements ci-dessous se produisent pendant un appel de chaleur:

Le réglage du cavalier d'autorégulation en position de **MARCHE** signale à la commande d'utiliser un délai de 10 minutes entre le feu **DOUX** et le feu **ÉLEVÉ** lorsqu'un appel de chaleur est fourni par l'entremise d'un signal 24 V à la borne **W1**. Ce réglage est la même chose que brancher **R** à **W2**.

REMARQUE : Si le cavalier d'autorégulation est en position de **MARCHE** et qu'une demande **W1** est présente lorsque le générateur d'air chaud est mis sous tension, le premier cycle de chauffage fonctionne en mode chaleur de deuxième étage sans autorégulation. Après le premier cycle, le générateur d'air chaud rétablit le fonctionnement en autorégulation normale. **NE PAS brancher W1 et W2 ensemble pendant que le cavalier d'autorégulation est en position de MARCHE.**

Autorégulation pour thermostats à deux étages

Le réglage d'autorégulation sur le tableau de commande du générateur d'air chaud ([Figure 29 \(page 38\)](#)) est désactivé lorsque le générateur est expédié de l'usine. Cette fonction n'est pas utilisée lorsque le générateur d'air chaud est jumelé à un thermostat à deux étages. Le réglage du cavalier d'autorégulation (**P7**) doit être maintenu en position d'**ARRÊT** pour permettre au thermostat de régler les étages.

Configuration de vitesse du souffleur

Les générateurs d'air chaud à deux étages utilisent des moteurs de circulation d'air à haut rendement offerts en deux variantes, tous deux commandés de façon différente. Le tableau de commande du moteur à vitesse fixe ([Figure 27 \(page 38\)](#)) commande le couple et le tableau de commande du moteur à vitesse variable ([Figure 28](#)) commande le débit d'air à un débit en pi^3/min constant. Les deux tableaux utilisent le même tableau de commande de générateur d'air chaud ([Figure 29](#)).

Applications à souffleur à vitesse fixe

REMARQUE : Cette section s'applique uniquement aux générateurs d'air chaud dont les numéros de modèle commencent par deux chiffres suivis d'une lettre, comme 35C ou 45D. Si votre modèle commence par le suffixe VB, VC ou VD, veuillez consulter la section Application à souffleur à vitesse variable ci-dessous.

Le tableau de commande du moteur à vitesse fixe ([Figure 27](#)) contient un jeu de commutateurs DIP pour le réglage de la vitesse du souffleur. Utiliser les broches 1 à 4 pour régler la vitesse du souffleur pour le chauffage et les broches 5 à 8 pour régler la vitesse pour le refroidissement. Pour déterminer les réglages du commutateur appropriés pour votre installation, consulter le [Tableau 6 \(page 31\)](#).

Pour les thermostats munis d'une sortie de déshumidificateur, utiliser un fil fourni sur place pour brancher la sortie de déshumidificateur du thermostat à la borne **DEHUM**. Il faut régler le thermostat de façon à ce que la sortie **DEHUM** soit à élevée (positive) lorsque la déshumidification est nécessaire. Voir également la section Options de déshumidification.

⚠ MISE EN GARDE :

La borne marquée « Y1_IN » sur le tableau de commande du moteur à vitesse variable n'est pas une sortie pour commander le conditionneur extérieur. NE PAS brancher la borne Y1_IN du tableau de bord de moteur au conditionneur extérieur.

Applications à souffleur à vitesse variable

⚠ MISE EN GARDE :

Le tableau de commande à vitesse variable est utilisé par d'autres appareils. De nombreuses bornes et de nombreux raccordements sur le tableau sont destinés à d'autres appareils et ne sont pas utilisés pour l'utilisation à deux étages. Le branchement à deux étages sur ce tableau est la borne DEHUM, utilisée pour réduire la vitesse du souffleur pendant le refroidissement.

REMARQUE : Cette section s'applique uniquement aux modèles dont le numéro se termine par les suffixes VB, VC ou VD.

Le tableau de commande du moteur à vitesse variable ([Figure 28 \(page 38\)](#)) contient un jeu de commutateurs DIP pour le réglage de la vitesse de base du souffleur. Utiliser les broches 1 à 4 pour régler la vitesse du souffleur pour le chauffage et les broches 5 à 8 pour régler la vitesse pour le refroidissement. Pour déterminer les réglages du commutateur appropriés pour votre installation, consulter le [Tableau 7 \(page 33\)](#) pour le chauffage et le [Tableau 8 \(page 34\)](#) pour le refroidissement.

Utiliser un fil fourni sur place pour brancher la sortie de déshumidificateur du thermostat à la borne **DEHUM**. Il faut régler le thermostat de façon à ce que la sortie **DEHUM** soit à élevée (positive) lorsque la déshumidification est nécessaire. Voir également la section Options de déshumidification.

Options de déshumidification

Les deux tableaux de commande de moteur ([Figure 27](#) et [Figure 28](#)) sont munis d'un branchement DEHUM qui permet

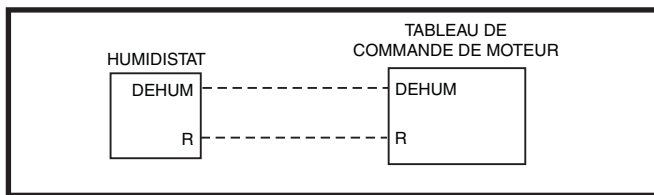


Figure 23. Configuration de câblage DEHUM avec humidistat

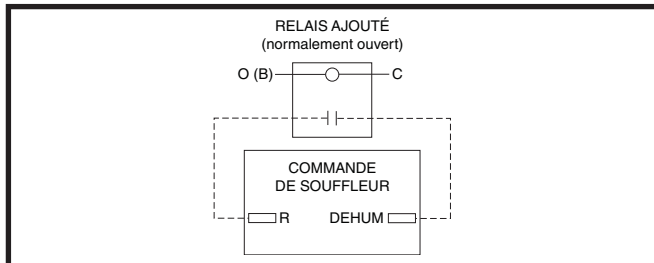


Figure 24. Configuration de câblage DEHUM sans humidistat

au système d'augmenter la quantité d'humidité éliminer de l'air de circulation. Cela est réalisé en réduisant le débit (pi^3/min) et en laissant refroidir le serpentin de refroidissement. Cela se produit uniquement lorsqu'il y a un appel de refroidissement. Il existe de nombreuses possibilités de branchement électrique :

- Si le thermostat de la salle intègre un capteur d'humidité et une sortie **DEHUM**, brancher la sortie **DEHUM** du thermostat à la borne **DEHUM** du tableau de commande de moteur. Consulter la [Figure 23](#).
- Si un humidistat distinct est utilisée, brancher les bornes **DEHUM** et **R** de l'humidistat aux bornes **DEHUM** et **R** du tableau de commande du moteur. Consulter les [Figure 27](#) et [Figure 28](#). Dans cette option, la sortie **DEHUM** de l'humidistat doit être réglée à normalement ouverte et doit se fermer en cas d'appel d'humidification.
- Si aucun humidistat n'est à disposition, il est possible de brancher les bornes **R** et **DEHUM** par l'entremise d'un relais normalement ouvert fourni sur place. Consulter la [Figure 24](#) (page 26). Les bornes **R** et **DEHUM** doivent être branchées aux bornes du relais normalement ouvert. Les bornes **O (B)** et **C** doivent alors être branchées à la bobine du relais. Cette option fait en sorte que le souffleur fonctionne à un débit (pi^3/min) réduit pendant 10 minutes après un appel de refroidissement.

Anticipateur de chaleur

L'anticipateur de chaleur doit être réglé conformément aux directives fournies par le fabricant du thermostat. Pour déterminer le réglage de l'anticipateur de chaleur :

1. Ajouter l'appel de courant des composants du système; ou
2. Mesurer la circulation du courant sur le circuit **R** et **W** du thermostat après le démarrage du moteur de souffleur de circulation.

DÉMARRAGE ET RÉGLAGES

Liste de contrôle avant démarrage

- ✓ Vérifier que la polarité des branchements est correcte, que les fils d'alimentation de tension de ligne sont bien branchés et que le générateur d'air chaud est mis à la terre de façon appropriée.
- ✓ Vérifier que tous les fils de thermostat nécessaires sont bien branchés aux fils appropriés de la plaque à bornes de la carte à circuits imprimés. Consulter les [Figure 20](#) (page 24), [Figure 21](#) (page 24) et [Figure 22](#) (page 25).
- ✓ Vérifier que la pression de service de la conduite de gaz n'exécède pas 10 pouces d'eau et qu'elle n'est pas inférieure à 4,5 pouces d'eau pour le gaz naturel. Pour le gaz de pétrole liquéfié, la pression de service de conduite ne doit pas dépasser 14 pouces d'eau ni être inférieure à 11,0 pouces d'eau.
- ✓ Vérifier que le contacteur de retour de flamme et de réarmement est fermé. Au besoin, appuyer sur le bouton pour réarmer le contacteur. **NE PAS installer de fil volant sur le contacteur pour neutraliser cette fonction.** Si un contacteur s'ouvre à nouveau au démarrage, **NE PAS** réarmer le contacteur sans avoir déterminé et corrigé la défaillance.
- ✓ Vérifier que la porte du souffleur est en place pour assurer la fermeture du contacteur de porte sur le circuit de tension de ligne.
- ✓ Vérifier que la conduite de gaz a été purgée et que tous les raccords sont étanches.

Procédures de démarrage

Ne pas réaliser ces étapes avant que tous les contrôles des étapes précédentes soient terminés :

1. Régler le thermostat au réglage le plus bas.
2. Couper toute alimentation électrique du générateur d'air chaud.
3. Suivre les directives de fonctionnement sur l'étiquette du générateur d'air chaud.
4. Régler le thermostat une température supérieure à la température de la pièce et vérifier l'ordre de fonctionnement. Consulter la [page 28](#).
5. Après cinq minutes de fonctionnement, régler le thermostat à une température inférieure à la température de la pièce et vérifier les étapes 11 et 12 de la section Ordre de fonctionnement.

Vérification et réglage du débit calorifique

Il faut vérifier le débit calorifique de chaque installation pour éviter la surchauffe du générateur d'air chaud.

REMARQUE : Le débit calorifique ne doit pas dépasser le débit indiqué sur la plaque signalétique du générateur d'air chaud. À des altitudes supérieures à 2 000 pieds, il ne doit pas dépasser le débit indiqué sur la plaque signalétique moins 4 % pour chaque 1 000 pieds. Pour déterminer le débit calorifique précis, effectuer les procédures ci-dessous :

1. Éteindre tous les autres appareils au gaz.
2. Démarrer et faire fonctionner le générateur d'air chaud à feu élevé pendant au moins trois minutes.
3. Mesurer le temps (en secondes) requis au compteur de gaz pour faire une révolution.
4. Convertir le temps par évolution en pieds cubes de gaz par heure avec le [Tableau 9](#) (page 35).
5. Multiplier le débit du gaz en pieds cubes par heure par la valeur calorifique du gaz en BTU par pied cube pour obtenir le débit calorifique en BTU/h. Voir l'exemple ci-dessous.

EXEMPLE :

- Temps pour 1 révolution du compteur de gaz avec un cadran à 1 pied cube = 40 secondes
- À partir du [Tableau 9](#), lire 90 pieds cube par heure.
- Valeur calorifique locale du gaz (obtenue auprès du fournisseur de gaz) = 1 040 BTU par pied cube.
- Débit calorifique = 1 040 x 90 = 93 600 BTU/h.

6. La pression d'admission doit être réglée à la valeur appropriée pour chaque installation par un installateur qualifié, un organisme de service ou le fournisseur de gaz.

⚠ AVERTISSEMENT :

Ne pas tenter de percer des orifices de gaz. Utiliser uniquement les orifices percés en usine. Des orifices mal percés peuvent causer un incendie, une explosion, un empoisonnement au monoxyde de carbone, des blessures ou la mort.

- a. Retirer le capuchon en plastique du régulateur de pression.
- b. Rechercher le réglage de pression d'admission requis pour cette installation en consultant le [Tableau 11 \(page 36\)](#) pour le propane ou les [Tableau 13 et Tableau 14 \(page 37\)](#) pour le gaz naturel.
- c. Au moyen d'une clé hexagonale, tourner la vis de réglage d'entrée « LO » (faible) du côté « LO » du régulateur pour ajuster le réglage de débit réduit ou tourner la vis de réglage d'entrée « HI » (élevé) du côté « HI » du régulateur pour définir le réglage de plein débit. Consulter la [Figure 25 \(page 27\)](#).
REMARQUE : Tourner la vis de réglage dans le sens horaire augmente la pression et dans le sens antihoraire réduit la pression.
- d. Reposer le capuchon en plastique une fois le réglage terminé.

Vérification et réglage de la hausse température

Confirmer que la hausse de température dans le générateur d'air chaud se situe dans les limites indiquées sur la plaque signalétique du générateur d'air chaud. Toute augmentation de température à l'extérieur des limites indiquées risque d'entraîner une défaillance prématurée de l'échangeur de chaleur.

1. Placer les thermomètres dans le flux d'air de reprise et d'alimentation aussi près que possible du générateur d'air chaud. Pour éviter les relevés erronés, le thermomètre du côté air alimentation doit être protégé contre le rayonnement direct de l'échangeur de chaleur.
2. Ajuster tous les registres et tous les registres de conduit à la position désirée et faire fonctionner le générateur d'air chaud pendant 10 à 15 minutes à feu élevé avant de prendre des relevés de température. La hausse de température correspond à la différence entre la température de l'air d'alimentation et la température de l'air de reprise.

Pour les systèmes de gaines typiques, la hausse de température se situera dans les limites indiquées sur la plaque signalétique lorsque la vitesse du souffleur correspond au réglage recommandé par le fabricant. Si la haute température mesurée se situe à l'extérieur des limites indiquées, il peut être nécessaire de changer la vitesse du souffleur. **REMARQUE :** La réduction de la vitesse du souffleur augmente la hausse de température et une vitesse de souffleur plus élevée diminue la hausse de température.

Le générateur d'air chaud est doté d'un moteur à vitesses multiples. La sélection des vitesses de chauffage et de refroidissement se fait par le déplacement des interrupteurs situés sur le tableau de commande intégré à l'intérieur du générateur d'air chaud.

Vérification du fonctionnement du brûleur

⚠ MISE EN GARDE :

La porte au-dessus des brûleurs peuvent uniquement être ouvertes à des fins d'inspection. La porte doit être installée pendant un fonctionnement sans surveillance.

1. Retirer la porte du compartiment de brûleur.
2. Régler le thermostat une température supérieure à la température de la pièce et observer l'ordre d'allumage. La flamme du brûleur doit se transmettre immédiatement à tous les brûleurs sans soulèvement, courbure ou flottement. Les flammes doivent être bleues et exemptes de sommets jaunes.
3. Une fois les caractéristiques de flamme validées, changer le réglage de thermostat à une température inférieure à la température de la pièce.
4. Vérifier que la flamme du brûleur est entièrement éteinte.
5. Remettre en place la porte du compartiment de brûleur.

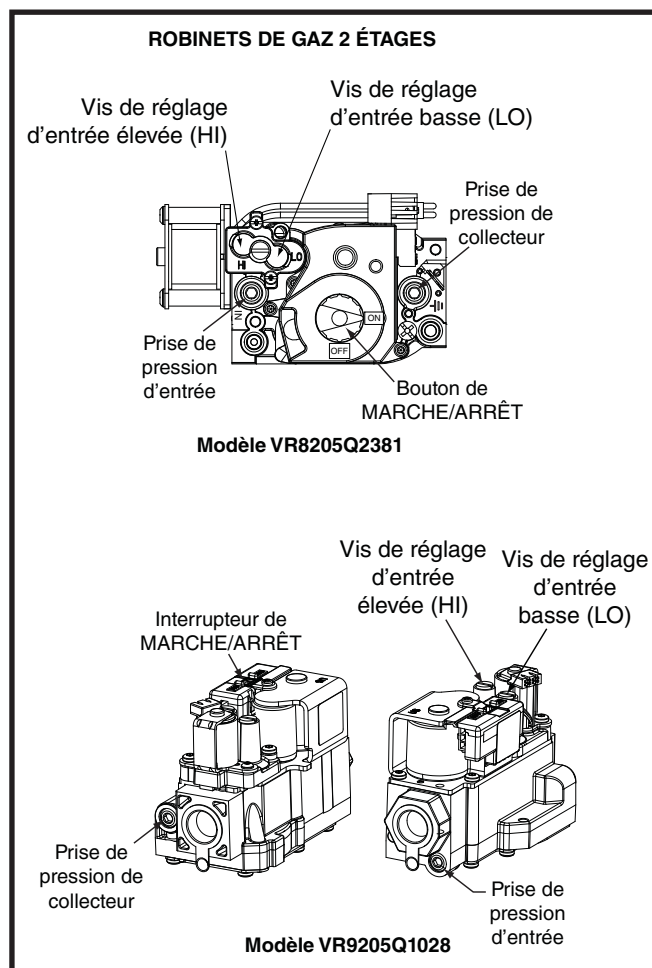


Figure 25. Vis de réglage d'entrée HI et LO (élevé et faible)

SÉQUENCE DE FONCTIONNEMENT

Les ordres de fonctionnement des modes de chauffage, de refroidissement et de ventilation sont décrits ci-dessous. Vérifier les schémas de câblage d'excitation et de câblage du générateur d'air chaud : Figure 19 (page 24), Figure 20 (page 24), Figure 21 (page 24), Figure 22 (page 25) et Figure 30 (page 39), Figure 31 (page 40), Figure 32 (page 41) et Figure 33 (page 42).

Cycle de chauffage

1. Le thermostat demande de la chaleur en mettant sous tension la borne **W1** avec une tension de 24 V c.a.
2. Le contrôleur vérifie que le pressostat est ouvert. Si le pressostat est fermé, le générateur d'air chaud s'arrête pendant cinq minutes avant une nouvelle tentative.
3. Si le pressostat est ouvert, le contrôleur met sous tension le moteur d'inducteur et attend la fermeture du pressostat. Le pressostat doit se fermer à l'intérieur de 12 secondes.
4. Le contrôleur fait fonctionner l'inducteur pendant un temps de pré-purge de 30 secondes.
5. Le contrôleur met sous tension la sortie de l'allumeur pour obtenir la limite de temps de réchauffage adaptatif appropriée.
6. Les brûleurs du générateur d'air chaud s'allument toujours à feu **élevé**. Si l'appel de chaleur demande un débit **faible**, le générateur d'air chaud passe à feu **doux** une fois les flammes stabilisées.
7. Si la présence de la flamme est confirmée et qu'elle allume le gaz, le contrôleur met hors tension l'allumeur. Le robinet de gaz et l'inducteur demeurent sous tension. Le contrôleur passe au souffleur avec un délai.
8. Le contrôleur met sous tension le souffleur à la vitesse de CHAUFFAGE sélectionnée 22 secondes après l'ouverture du robinet de gaz. Le robinet de gaz et l'inducteur demeurent sous tension.
9. S'il y a un appel de feu **élevé**, le robinet de gaz passe en position de feu **élevé** et les vitesses de souffleur sont augmentées. Le générateur d'air chaud demeure à feu **élevé** jusqu'à ce que la demande de chaleur soit satisfaite.
10. Si l'autorégulation est activée (thermostat un étage), l'appel de chaleur a été plus longue que le temps sélectionné et le générateur d'air chaud passe automatiquement au feu **élevé**. Le temps d'autorégulation est en MARCHE (10 minutes) ou à l'**ARRÊT** en fonction du réglage de cavalier (**P7**) sur le tableau de commande du générateur d'air chaud.
11. Une fois l'appel de chaleur du thermostat satisfaite, le contrôleur met hors tension le robinet de gaz. La sortie de l'inducteur demeure en marche pendant une période de post-purge de 30 secondes.
12. Le souffleur d'air de circulation continue à fonctionner pendant le délai d'arrêt du souffleur sélectionné (**P5**). Le délai peut être de 60, 90 ou 120 secondes selon le réglage de cavalier sur le tableau de commande du générateur d'air chaud.

Cycle de refroidissement

1. Le thermostat fait un appel de refroidissement en mettant sous tension la borne **Y/Y2** ou **Y1** avec une tension de 24 V c.a.
2. Le contrôleur met sous tension le souffleur à la vitesse de refroidissement et envoie une tension de 24 V c.a. au contacteur du groupe compresseur-condenseur.
3. Lorsque le thermostat retire l'appel de refroidissement, le contacteur dans le groupe compresseur-condenseur extérieur est mis hors tension et le contrôleur continu de faire fonctionner le ventilateur pendant 60 secondes.

Mode ventilateur

- Lorsque le thermostat met sous tension la borne **G** pour un fonctionnement continu du ventilateur (sans appel de chauffage ou de refroidissement), le ventilateur intérieur est mis sous tension à la vitesse de VENTILATEUR sélectionnée.
- S'il y a un appel de refroidissement pendant le fonctionnement continu du ventilateur, le souffleur passe à la vitesse de REFROIDISSEMENT sélectionnée.
- Si la borne **W** reçoit un appel de chaleur pendant un fonctionnement continu du ventilateur, le souffleur est mis hors tension.
- Un appel de ventilateur est ignoré en mode verrouillage.
- Le souffleur fonctionne à 50 % de la vitesse de refroidissement élevée sélectionnée pour un fonctionnement continu du ventilateur dans une configuration à vitesse fixe et à 35 % de la vitesse de refroidissement élevée sélectionnée pour des configurations à vitesse variable.

ENTRETIEN



AVERTISSEMENT :

RISQUE DE DÉCHARGE ÉLECTRIQUE, D'INCENDIE OU D'EXPLOSION

Le non-respect des avertissements de sécurité pourrait entraîner des blessures graves ou des dommages matériels.

Un entretien inapproprié peut provoquer un fonctionnement dangereux, des blessures graves, la mort ou des dommages matériels.

- **Avant toute intervention, couper l'alimentation électrique du générateur d'air chaud.**
- **Pour l'entretien des commandes, étiqueter tous les fils avant de les débrancher. Rebrancher les fils correctement.**
- **Vérifier le bon fonctionnement après l'intervention.**

L'entretien approprié est l'élément le plus important pour tirer le meilleur rendement d'un générateur d'air chaud. Suivre ces directives pour des années de fonctionnement sûre et sans problème.

- Ces directives d'entretien visent essentiellement à aider les techniciens qualifiés d'expérience à assurer l'entretien et le fonctionnement appropriés de cet appareil.
- Toujours reposer les portes sur le générateur d'air chaud après l'entretien ou le nettoyage/remplacement des filtres. Ne pas faire fonctionner le générateur d'air chaud sans que toutes les portes et les couvercles soient en place.
- Vérifier que le thermostat est bien installé et que les courants d'air ou la chaleur produite par les lampes ou les autres appareils n'ont pas d'incidence sur son fonctionnement.
- Pour obtenir le rendement optimal et réduire les risques de défaillance matérielle, il est recommandé de réaliser annuellement un contrôle d'entretien. Le contrôle doit inclure au minimum les éléments suivants :

Filtre(s) à air – Les filtres à air ne sont pas fournis avec le générateur d'air chaud lors de l'expédition de l'usine. L'installateur doit fournir un filtre à débit élevé et un support pour un filtre dans le conduit d'air de reprise adjacent au générateur d'air chaud ou dans une grille de reprise d'air vers le générateur d'air chaud.

AVERTISSEMENT :

Ne jamais faire fonctionner le générateur d'air chaud sans filtre. La poussière et la mousse présentes dans la reprise d'air peuvent s'accumuler dans les composants internes, ce qui entraîne une perte d'efficacité, des dommages matériels et un risque d'incendie.

Il est recommandé d'utiliser des filtres de 1 po ou 2 po d'épaisseur et de les nettoyer ou de les remplacer une fois par mois. Les filtres conçus pour éliminer les petites particules, comme le pollen, peuvent nécessiter un entretien supplémentaire. Les filtres des applications de reprise sur le côté ou de reprise à la base sont offerts par la plupart des distributeurs locaux.

Compartment de souffleur – La poussière et la mousse peuvent créer des charges excessives sur le moteur, ce qui entraîne des températures de fonctionnement plus élevées que la normale et une durée de vie utile réduite. Il est recommandé d'éliminer la poussière et la mousse accumulées dans le compartiment de souffleur ou sur le souffleur et le moteur dans le cadre de l'inspection annuelle.

Nettoyage des brûleurs – S'il faut nettoyer les brûleurs, suivre les étapes ci-dessous et consulter la [Figure 37 \(page 48\)](#) sur laquelle figurent également l'emplacement des composants.

1. Couper l'alimentation en gaz au générateur d'air chaud au niveau du compteur ou au niveau du robinet manuel situé sur la tuyauterie d'alimentation.
 2. Couper l'alimentation électrique du générateur d'air chaud et régler le thermostat à son plus faible réglage.
 3. Retirer la porte du brûleur du générateur d'air chaud.
 4. Tourner l'interrupteur de commande du gaz en position « OFF » (arrêt).
 5. Débrancher les fils du robinet de gaz, de l'allumeur, du détecteur de flamme et du contacteur de retour de flamme.
-

MISE EN GARDE:

Pour éviter d'endommager l'appareil ou les composants internes, il est recommandé d'utiliser deux clés pour desserrer ou serrer les écrous. Ne pas trop serrer.

6. Utiliser deux clés pour séparer le raccord-union de mise à la terre dans la tuyauterie d'alimentation en gaz raccordé au générateur d'air chaud.
7. Retirer la tuyauterie entre le robinet de gaz et le raccord union de mise à la terre. (S'il y a lieu.)
8. Retirer toutes les vis fixant l'ensemble collecteur du boîtier de brûleur.
9. Retirer soigneusement l'ensemble brûleur du générateur d'air chaud. **NE PAS ENDOMMAGER L'ALLUMEUR EN RETIRANT L'ENSEMBLE BRÛLEUR.**

10. Inspecter les brûleurs pour voir s'il y a accumulation de poussière ou de débris. Au besoin, nettoyer soigneusement les brûleurs avec une brosse métallique douce et un aspirateur. **NE PAS ENDOMMAGER L'ALLUMEUR EN NETTOYANT LE BRÛLEUR.**

11. Remettre en place toutes les pièces dans l'ordre de désassemblage inverse.

12. Suivre les directives d'allumage situées sur la porte du générateur d'air chaud pour remettre en fonction le générateur d'air chaud. Vérifier le bon fonctionnement après l'intervention.

Entretien de l'échangeur de chaleur et du brûleur – Le générateur d'air chaud devrait fonctionner pendant de nombreuses années sans accumulation de suie dans les acheminements de conduit; toutefois, le conduit, le système d'évacuation et les brûleurs doivent être inspectés et nettoyés annuellement (au besoin) par un technicien de service qualifié pour garantir un fonctionnement sûr continue. Prêter attention à toute détérioration causée par la corrosion ou par d'autres sources.

AVERTISSEMENT :

Des trous dans le conduit d'évent ou dans l'échangeur de chaleur peuvent entraîner l'infiltration des produits de combustion dans la maison. Remplacer le conduit d'évent ou l'échangeur de chaleur en cas de fuite. Le défaut de prévenir la circulation des produits de combustion dans l'espace habiTableau peut créer des conditions potentiellement dangereuses, notamment l'empoisonnement au monoxyde de carbone, qui peut entraîner des blessures ou la mort.

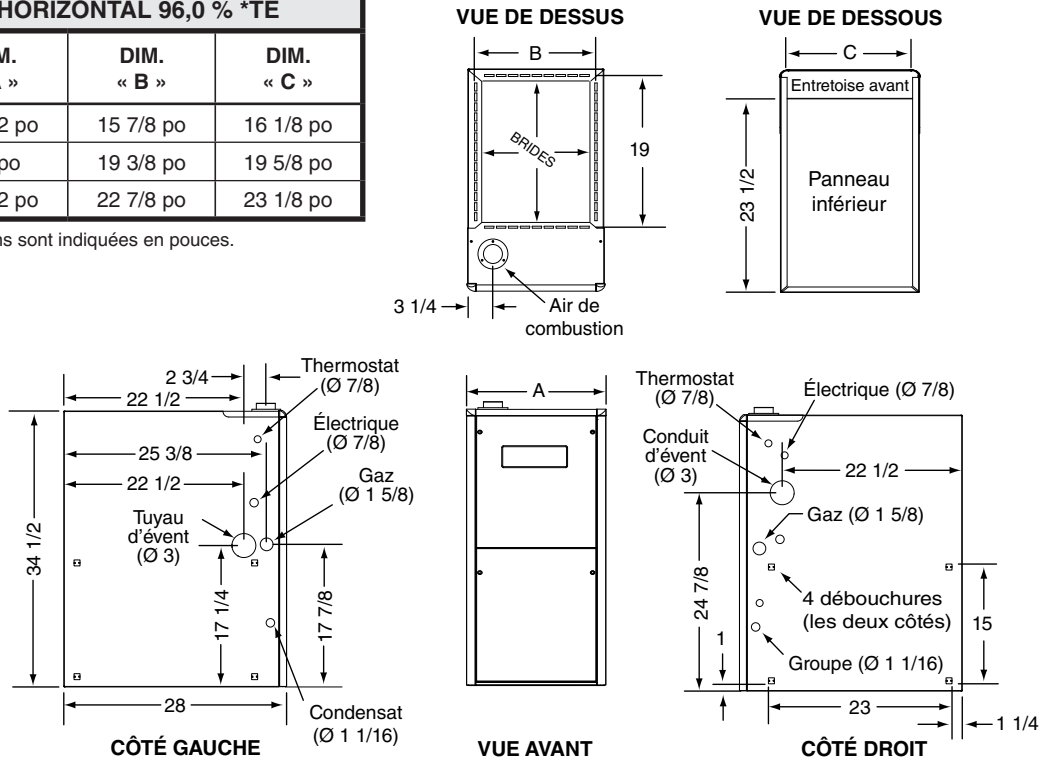
Lubrification – Les roulements du moteur de souffleur et du souffleur d'inducteur utilisés dans ces générateurs d'air chaud sont pré-lubrifiés et scellés par le fabricant. Aucune lubrification supplémentaire des roulements n'est requise pour la durée de vie du moteur.

Système d'évacuation – Vérifier le conduit d'admission (s'il y a lieu) et le conduit de sortie pour s'assurer qu'ils ne sont pas obstrués par des débris. Il faut remplacer toute section endommagée du conduit d'évent et il faut retirer toute obstruction avant de mettre en service le générateur d'air chaud.

FIGURES ET TABLEAUX

GÉNÉRATEUR D'AIR CHAUD À FLUX ASCENDANT/HORIZONTAL 96,0 % *TE			
ARMOIRE DIMENSION	DIM. « A »	DIM. « B »	DIM. « C »
Armoire « B »	17 1/2 po	15 7/8 po	16 1/8 po
Armoire « C »	21 po	19 3/8 po	19 5/8 po
Armoire « D »	24 1/2 po	22 7/8 po	23 1/8 po

REMARQUE : Les dimensions sont indiquées en pouces.



*GÉNÉRATEUR D'AIR CHAUD À FLUX DESCENDANT 96,0 % *TN			
ARMOIRE DIMENSION	DIM. « A »	DIM. « B »	DIM. « C »
Armoire « B »	17 1/2 po	15 7/8 po	16 1/8 po
Armoire « C »	21 po	19 3/8 po	19 5/8 po
Armoire « D »	24 1/2 po	22 7/8 po	23 1/8 po

REMARQUE : Les dimensions sont indiquées en pouces.

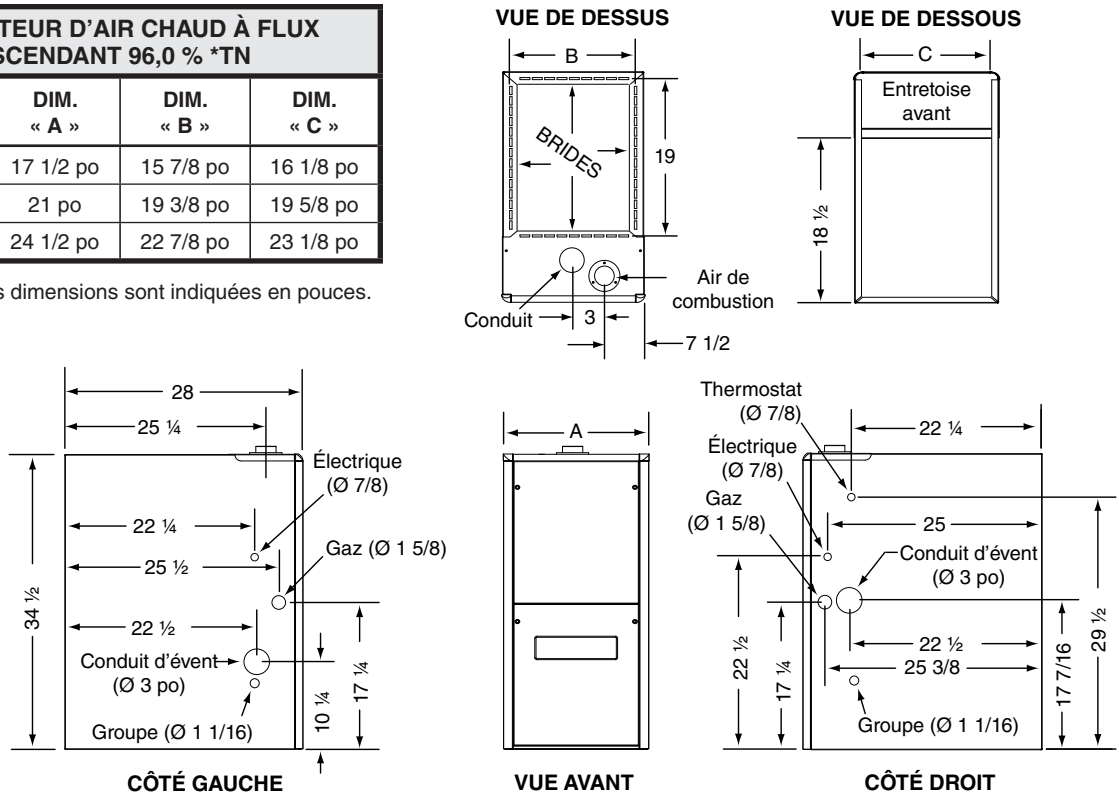


Figure 26. Dimensions des armoires *TE et *TN

Données sur le débit d'air

GÉNÉRATEURS D'AIR CHAUD *TE/TL AVEC SOUFFLEURS À VITESSE VARIABLE																				
NUMÉRO DE MODÈLE ET DÉBIT CALORIFIQUE (BTU/H)	RÉGLAGES DE L'INTERRUPTEUR DE MOTEUR (0 = ARRÊT, 1 = MARCHE)				PRESSION STATIQUE EXTERNE (POUCE D'EAU)															
	1/5	2/6	3/7	4/8	0,1		0,2		0,3		0,4		0,5		0,6		0,7		0,8	
					DÉBIT EN P ³ /MIN	CONDUITE MONTANTE	DÉBIT EN P ³ /MIN	CONDUITE MONTANTE	DÉBIT EN P ³ /MIN	CONDUITE MONTANTE	DÉBIT EN P ³ /MIN	CONDUITE MONTANTE	DÉBIT EN P ³ /MIN	CONDUITE MONTANTE	DÉBIT EN P ³ /MIN	CONDUITE MONTANTE	DÉBIT EN P ³ /MIN	CONDUITE MONTANTE	DÉBIT EN P ³ /MIN	CONDUITE MONTANTE
*TE / *TN - 060D - 24B (60 000 BTU/H) TEMPÉRATURE CONDUITE MONTANTE 17 °C À 33 °C	0	0	0	0																
	1	0	0	0																
	0	1	0	0																
	1	1	0	0	725															
	0	0	1	0	810															
	1	0	1	0	940	57	890	60	845		795		750		700					
	0	1	1	0	990	54	945	56	905	59	860		820		775		735		690	
	1	1	1	0	1,055	51	1,015	53	970	55	930	57	890	60	845		805		760	
	0	0	0	1	1,135	47	1,095	49	1,055	51	1,010	53	960	56	930	57	890	60	850	
	1	0	0	1	1,185	45	1,145	47	1,105	48	1,065	50	1,030	52	990	54	950	56	910	59
	0	1	0	1	1,250	43	1,210	44	1,170	46	1,135	47	1,095	49	1,055	51	1,020	52	980	54
	1	1	0	1	1,290	41	1,255	42	1,220	44	1,180	45	1,145	47	1,110	48	1,075	50	1,040	51
	0	0	1	1	1,315	41	1,275	42	1,240	43	1,200	44	1,160	46	1,120	48	1,085	49	1,045	51
	1	0	1	1	1,350	40	1,315	41	1,280	42	1,245	43	1,205	44	1,170	46	1,135	47	1,100	48
0	1	1	1	1,390	38	1,350	40	1,315	41	1,275	42	1,240	43	1,200	44	1,160	46	1,125	47	
1	1	1	1	1,420	38	1,380	39	1,345	40	1,310	41	1,270	42	1,235	43	1,200	44	1,160	46	
*TE / *TN - 80D - 35C (80 000 BTU/H) TEMPÉRATURE CONDUITE MONTANTE (19 °C À 36 °C)	0	0	0	0	1,125	63	1,040		960		880		795							
	1	0	0	0	1,205	59	1,120	63	1,040		960		875		795					
	0	1	0	0	1,305	54	1,225	58	1,150	62	1,070		995		915		840			
	1	1	0	0	1,430	50	1,350	53	1,270	56	1,190	60	1,110	63	1,030		950		865	
	0	0	1	0	1,525	47	1,450	49	1,375	52	1,300	55	1,225	57	1,150	62	1,075	66	1,000	
	1	0	1	0	1,620	44	1,540	46	1,465	49	1,390	51	1,315	54	1,240	57	1,165	61	1,090	65
	0	1	1	0	1,695	42	1,620	44	1,545	46	1,465	49	1,390	51	1,315	54	1,235	58	1,160	61
	1	1	1	0	1,770	40	1,700	42	1,630	44	1,555	46	1,485	47	1,410	50	1,340	53	1,265	56
	0	0	0	1	1,875	38	1,805	39	1,730	41	1,655	43	1,580	45	1,510	47	1,435	50	1,340	53
	1	0	0	1	1,905	37	1,840	39	1,775	40	1,710	42	1,640	43	1,575	45	1,510	47	1,445	49
	0	1	0	1	1,980	36	1,910	37	1,845	39	1,780	40	1,715	41	1,650	43	1,580	45	1,515	47
	1	1	0	1	2,025	35	1,960	36	1,895	38	1,830	39	1,765	40	1,700	42	1,635	43	1,570	45
	0	0	1	1	2,085		2,025	35	1,960	36	1,900	37	1,840	38	1,775	40	1,715	41	1,655	43
	1	0	1	1	2,135		2,070		2,010	35	1,945	37	1,880	37	1,815	39	1,750	41	1,685	42
0	1	1	1	2,200		2,145		2,090		2,035	35	1,980	36	1,925	37	1,870	38	1,820	39	
1	1	1	1	2,280		2,225		2,170		2,115		2,065		2,010		1,955	36	1,900	37	

REMARQUES :

1. Les réglages de l'interrupteur de moteur sont destinés aux vitesses de chauffage utilisant les interrupteurs de CHAUFFAGE 1, 2, 3 et 4 et aux vitesses de refroidissement utilisant les interrupteurs de REFROIDISSEMENT 5, 6, 7 et 8.
2. Deux ouvertures sont nécessaires pour les débits d'air supérieurs à 1 600 pi³/min si le ou les filtres sont adjacents au générateur d'air chaud.
3. Les données sont indiquées sans filtre.
4. Les hausses de température dans le tableau sont approximatives. Les hausses de températures réelles peuvent varier.
5. Les cellules grisées indiquent une hausse de température à l'extérieur de la plage recommandée.
6. À l'étage faible, le débit d'air de circulation correspond à 70 % de la valeur élevée du tableau (générateurs d'air chaud à deux étages seulement).

Tableau 6. Débit d'air de chauffage/refroidissement (pi³/min) et hausses de température (°F) *TE/*TN

GÉNÉRATEURS D'AIR CHAUD *TE/TL AVEC SOUFFLEURS À VITESSE VARIABLE																				
NUMÉRO DE MODÈLE ET DÉBIT CALORIFIQUE (BTU/H)	RÉGLAGES DE L'INTERRUPTEUR DE MOTEUR (0 = ARRÊT, 1 = MARCHÉ)				PRESSION STATIQUE EXTERNE (POUCE D'EAU)															
					0,1		0,2		0,3		0,4		0,5		0,6		0,7		0,8	
	1/5	2/6	3/7	4/8	DÉBIT EN P/P / MIN	CONDUITE MONTANTE	DÉBIT EN P/P / MIN	CONDUITE MONTANTE	DÉBIT EN P/P / MIN	CONDUITE MONTANTE	DÉBIT EN P/P / MIN	CONDUITE MONTANTE	DÉBIT EN P/P / MIN	CONDUITE MONTANTE	DÉBIT EN P/P / MIN	CONDUITE MONTANTE	DÉBIT EN P/P / MIN	CONDUITE MONTANTE	DÉBIT EN P/P / MIN	CONDUITE MONTANTE
*TE / *TN - 100D - 35C (100 000 BTU/H) TEMPÉRATURE CONDUITE MONTANTE (19 °C À 36 °C)	0	0	0	0	1 125	—	1 040	—	—	—	—	—	—	—	—	—	—	—	—	—
	1	0	0	0	1 205	—	1 120	—	1 040	—	—	—	—	—	—	—	—	—	—	—
	0	1	0	0	1 305	—	1 225	—	1 150	—	1 070	—	995	—	—	—	—	—	—	—
	1	1	0	0	1 430	62	1 350	66	1 270	—	1 190	—	1 110	—	1 030	—	—	—	—	—
	0	0	1	0	1 525	58	1 450	61	1 375	65	1 300	—	1 225	—	1 150	—	1 075	—	1 000	—
	1	0	1	0	1 620	55	1 540	58	1 465	61	1 390	64	1 315	—	1 240	—	1 165	—	1 090	—
	0	1	1	0	1 695	52	1 620	55	1 545	58	1 465	61	1 390	64	1 315	—	1 235	—	1 160	—
	1	1	1	0	1 770	50	1 700	52	1 630	55	1 555	57	1 485	60	1 410	63	1 340	—	1 265	—
	0	0	0	1	1 875	47	1 805	49	1 730	51	1 655	54	1 580	56	1 510	59	1 435	62	1 340	—
	1	0	0	1	1 905	47	1 840	48	1 775	50	1 710	52	1 640	54	1 575	56	1 510	59	1 445	62
	0	1	0	1	1 980	45	1 910	47	1 845	48	1 780	50	1 715	52	1 650	54	1 580	56	1 515	59
	1	1	0	1	2 025	44	1 960	45	1 895	47	1 830	49	1 765	50	1 700	52	1 635	54	1 570	57
	0	0	1	1	2 085	43	2 025	44	1 960	45	1 900	47	1 840	48	1 775	50	1 715	52	1 655	54
	1	0	1	1	2 135	42	2 070	43	2 010	44	1 945	46	1 880	47	1 815	49	1 750	51	1 685	53
	0	1	1	1	2 200	40	2 145	41	2 090	43	2 035	44	1 980	45	1 925	46	1 870	48	1 820	49
	1	1	1	1	2 280	39	2 225	40	2 170	41	2 115	42	2 065	43	2 010	44	1 955	45	1 900	47
*TE / *TN - 115D - 45D (115 000 BTU/H) TEMPÉRATURE CONDUITE MONTANTE (22 °C À 39 °C)	0	0	0	0	1 395	—	1 350	—	1 305	—	1 260	—	1 210	—	1 165	—	1 120	—	—	—
	1	0	0	0	1 465	—	1 420	—	1 375	—	1 330	—	1 290	—	1 245	—	1 200	—	1 155	—
	0	1	0	0	1 555	66	1 510	68	1 470	—	1 425	—	1 380	—	1 340	—	1 295	—	1 250	—
	1	1	0	0	1 625	63	1 585	64	1 540	66	1 500	68	1 460	—	1 415	—	1 375	—	1 335	—
	0	0	1	0	1 690	60	1 650	62	1 610	63	1 570	65	1 530	67	1 485	—	1 445	—	1 405	—
	1	0	1	0	1 760	58	1 715	60	1 670	61	1 625	63	1 575	65	1 530	67	1 485	—	1 440	—
	0	1	1	0	1 835	56	1 790	57	1 745	59	1 695	60	1 650	62	1 605	64	1 555	66	1 510	68
	1	1	1	0	1 885	54	1 840	56	1 790	57	1 745	59	1 700	60	1 655	62	1 610	63	1 565	65
	0	0	0	1	1 945	53	1 900	54	1 850	55	1 805	57	1 760	58	1 710	60	1 665	61	1 620	63
	1	0	0	1	1 950	52	1 905	54	1 860	55	1 820	56	1 775	58	1 735	59	1 690	60	1 650	62
	0	1	0	1	2 075	49	2 030	50	1 990	51	1 945	53	1 900	54	1 855	55	1 810	56	1 770	58
	1	1	0	1	2 125	48	2 085	49	2 040	50	2 000	51	1 955	52	1 910	54	1 870	55	1 825	56
	0	0	1	1	2 170	47	2 130	48	2 090	49	2 045	50	2 005	51	1 965	52	1 925	53	1 880	54
	1	0	1	1	2 215	46	2 180	47	2 140	48	2 105	49	2 070	49	2 035	50	2 000	51	1 965	52
	0	1	1	1	—	—	—	—	—	—	—	—	2 225	46	2 165	47	2 100	49	2 040	50
	1	1	1	1	—	—	—	—	—	—	—	—	—	—	2 170	47	2 120	48	2 065	50

REMARQUES :

1. Les réglages de l'interrupteur de moteur sont destinés aux vitesses de chauffage utilisant les interrupteurs de CHAUFFAGE 1, 2, 3 et 4 et aux vitesses de refroidissement utilisant les interrupteurs de REFROIDISSEMENT 5, 6, 7 et 8.
2. Deux ouvertures sont nécessaires pour les débits d'air supérieurs à 1 600 pi³/min si le ou les filtres sont adjacents au générateur d'air chaud.
3. Les données sont indiquées sans filtre.
4. Les hausses de température dans le tableau sont approximatives. Les hausses de températures réelles peuvent varier.
5. Les cellules grisées indiquent une hausse de température à l'extérieur de la plage recommandée.
6. À l'étage faible, le débit d'air de circulation correspond à 70 % de la valeur élevée du tableau (générateurs d'air chaud à deux étages seulement).

Tableau 6. Suite

GÉNÉRATEURS D'AIR CHAUD *TE/TN AVEC SOUFFLEURS À VITESSE FIXE								
ARMOIRE « B » TEMPÉRATURE CONDUITE MONTANTE 17 °C À 33 °C	RÉGLAGES D'INTERRUPTEUR POUR CHAUFFAGE (0 = ARRÊT, 1 = MARCHÉ)				*TE / *TN - 060D - VB APPORT (BTU) 60 000			
	1	2	3	4	DÉBIT EN PI ³ /MIN	HAUSSE DE TEMP. (°F)		
	1	0	0	0	1 000	53		
	1	0	0	1	1 100	48		
	1	0	1	0	1 200	44		
	1	0	1	1	1 300	41		
	1	1	0	0	1 400	38		
	1	1	0	1	1 500	35		
	1	1	1	0	1 600	—		
1	1	1	1	1 700	—			
ARMOIRE « C » TEMPÉRATURE CONDUITE MONTANTE (22 °C À 39 °C)	RÉGLAGES D'INTERRUPTEUR POUR CHAUFFAGE (0 = ARRÊT, 1 = MARCHÉ)				*TE / *TN - 080D - VC APPORT (BTU) 80 000		*TE / *TN - 100D - VC APPORT (BTU) 100 000	
	1	2	3	4	DÉBIT EN PI ³ /MIN	HAUSSE DE TEMP. (°F)	DÉBIT EN PI ³ /MIN	HAUSSE DE TEMP. (°F)
	#	0	0	0	1 000	—	1 000	—
	#	0	0	1	1 115	63	1 115	—
	#	0	1	0	1 230	57	1 230	—
	#	0	1	1	1 345	52	1 345	65
	#	1	0	0	1 460	48	1 460	60
	#	1	0	1	1 575	45	1 575	56
	#	1	1	0	1 690	42	1 690	52
#	1	1	1	1 805	39	1 805	49	
ARMOIRE « D » TEMPÉRATURE CONDUITE MONTANTE (22 °C À 39 °C)	RÉGLAGES D'INTERRUPTEUR POUR CHAUFFAGE (0 = ARRÊT, 1 = MARCHÉ)				*TE / *TN - 115D - VD APPORT (BTU) 115 000			
	1	2	3	4	DÉBIT EN PI ³ /MIN	HAUSSE DE TEMP. (°F)		
	#	0	0	0	1 500	68		
	#	0	0	1	1 615	63		
	#	0	1	0	1 730	59		
	#	0	1	1	1 845	55		
	#	1	0	0	1 960	52		
	#	1	0	1	2 075	49		
	#	1	1	0	2 190	46		
#	1	1	1	2 305	44			

REMARQUES :

1. Deux ouvertures sont recommandées pour les débits d'air supérieurs à 1 600 pi³/min si le ou les filtres sont adjacents au générateur d'air chaud.
2. Les hausses de température dans le tableau sont approximatives. Les hausses de températures réelles peuvent varier.
3. Les hausses de températures ombragées ne sont données qu'à titre indicatif. Ces conditions ne sont pas recommandées.
4. Interrupteur non utilisé – peut être 0 ou 1.

Tableau 7. Débits d'air de chauffage nominaux (pi³/min) et hausses de température (°F) *TE/*TN pour générateurs d'air chaud à vitesse variable

GÉNÉRATEUR D'AIR CHAUD *TE/*TN AVEC SOUFFLEURS À VITESSE VARIABLE							
ARMOIRE « B »							
RÉGLAGES D'INTERRUPTEUR (0 = ARRÊT, 1 = MARCHÉ)					DÉBIT EN PI ³ /MIN		CAPACITÉ DE CLIMATISATION NOMINALE ET PUISSANCE (HP)
CHAUFFAGE		REFROIDISSEMENT			BASSE	HAUTE	
1-4	5	6	7	8			
1	0	0	0	0	470	700	
1	0	0	0	1	510	760	
1	0	0	1	0	550	820	
1	0	0	1	1	590	880	
1	0	1	0	0	630	940	
1	0	1	0	1	670	1 000	
1	0	1	1	0	710	1 060	
1	0	1	1	1	750	1 120	
1	1	0	0	0	790	1 180	
1	1	0	0	1	830	1 240	
1	1	0	1	0	870	1 300	
1	1	0	1	1	910	1 360	
1	1	1	0	0	950	1 420	
1	1	1	0	1	990	1 480	
1	1	1	1	0	1 030	1 540	
1	1	1	1	1	1 070	1 600	

ARMOIRE « C »							
RÉGLAGES D'INTERRUPTEUR (0 = ARRÊT, 1 = MARCHÉ)					DÉBIT EN PI ³ /MIN		CAPACITÉ DE CLIMATISATION NOMINALE ET PUISSANCE (HP)
CHAUFFAGE		CLIMATISATION			BASSE	HAUTE	
1-4	5	6	7	8			
#	0	0	0	0	685	1 025	
#	0	0	0	1	730	1 090	
#	0	0	1	0	775	1 155	
#	0	0	1	1	815	1 220	
#	0	1	0	0	860	1 285	
#	0	1	0	1	905	1 350	
#	0	1	1	0	950	1 415	
#	0	1	1	1	990	1 480	
#	1	0	0	0	1 035	1 545	
#	1	0	0	1	1 080	1 610	
#	1	0	1	0	1 120	1 675	
#	1	0	1	1	1 165	1 740	
#	1	1	0	0	1 210	1 805	
#	1	1	0	1	1 255	1 870	
#	1	1	1	0	1 295	1 935	
#	1	1	1	1	1 340	2 000	

ARMOIRE « D »							
RÉGLAGES D'INTERRUPTEUR (0 = ARRÊT, 1 = MARCHÉ)					DÉBIT EN PI ³ /MIN		CAPACITÉ DE CLIMATISATION NOMINALE ET PUISSANCE (HP)
CHAUFFAGE		CLIMATISATION			BASSE	HAUTE	
1-4	5	6	7	8			
#	0	0	0	0	940	1 400	
#	0	0	0	1	965	1 440	
#	0	0	1	0	990	1 480	
#	0	0	1	1	1 020	1 520	
#	0	1	0	0	1 045	1 560	
#	0	1	0	1	1 070	1 600	
#	0	1	1	0	1 100	1 640	
#	0	1	1	1	1 125	1 680	
#	1	0	0	0	1 150	1 720	
#	1	0	0	1	1 180	1 760	
#	1	0	1	0	1 205	1 800	
#	1	0	1	1	1 235	1 840	
#	1	1	0	0	1 260	1 880	
#	1	1	0	1	1 285	1 920	
#	1	1	1	0	1 315	1 960	
#	1	1	1	1	1 340	2 000	

Interrupteur non utilisé – peut être 0 ou 1

Interrupteur non utilisé – peut être 0 ou 1

Tableau 8. Débits d'air de pompe de chauffage/refroidissement nominaux (pi³/min) *TE/*TN pour générateurs d'air chaud à vitesse variable

Renseignements sur le gaz

DÉBITS DE GAZ (PIEDS CUBES PAR HEURE)				DÉBITS DE GAZ (PIEDS CUBES PAR HEURE)			
TEMPS POUR UNE RÉVOLUTION (SECONDES)	PIEDS CUBES PAR RÉVOLUTION DE COMPTEUR DE GAZ			TEMPS POUR UNE RÉVOLUTION (SECONDES)	PIEDS CUBES PAR RÉVOLUTION DE COMPTEUR DE GAZ		
	1	5	10		1	5	10
10	360	1 800	3 600	66	55	273	545
12	300	1 500	3 000	68	53	265	529
14	257	1 286	2 571	70	51	257	514
16	225	1 125	2 250	72	50	250	500
18	200	1 000	2 000	74	49	243	486
20	180	900	1 800	76	47	237	474
22	164	818	1 636	78	46	231	462
24	150	750	1 500	80	45	225	450
26	138	692	1 385	82	44	220	439
28	129	643	1 286	84	43	214	429
30	120	600	1 200	86	42	209	419
32	113	563	1 125	88	41	205	409
34	106	529	1 059	90	40	200	400
36	100	500	1 000	92	39	196	391
38	95	474	947	94	38	191	383
40	90	450	900	96	38	188	375
42	86	429	857	98	37	184	367
44	82	409	818	100	36	180	360
46	78	391	783	102	35	176	353
48	75	375	750	104	35	173	346
50	72	360	720	106	34	170	340
52	69	346	692	108	33	167	333
54	67	333	667	110	33	164	327
56	64	321	643	112	32	161	321
58	62	310	621	114	32	158	316
60	60	300	600	116	31	155	310
62	58	290	581	118	31	153	305
64	56	281	563	120	30	150	300

Table 9. Débits de gaz

CAPACITÉ DE CONDUIT DE GAZ EN FER NOIR (PI ³ /H) POUR GAZ NATUREL AVEC DENSITÉ SPÉCIFIQUE = 0,60								
DIAMÈTRE DE CONDUIT NOMINAL (PO)	LONGUEUR DE CONDUIT (PIEDS)							
	10	20	30	40	50	60	70	80
1/2	130	90	75	65	55	50	45	40
3/4	280	190	150	130	115	105	95	90
1	520	350	285	245	215	195	180	170
1 1/4 po	1 050	730	590	500	440	400	370	350
1 1/2 po	1 600	1 100	890	760	670	610		

Pieds cubes par heure requis = $\frac{\text{Débit calorifique au générateur d'air chaud (BTU/h)}}{\text{Valeur calorifique du gaz (BTU/pi}^3\text{)}}$

REMARQUE :

Les pieds cubes par heure indiqués dans le tableau ci-dessus doivent être supérieurs aux pieds cubes par heure du débit de gaz requis par le générateur d'air chaud. Pour déterminer les pieds cubes par heure de débit de gaz requis par le générateur d'air chaud, diviser le débit calorifique du générateur d'air chaud par la valeur calorifique (obtenue auprès du fournisseur de gaz) du gaz.

Table 10. Capacités du conduit de gaz

DÉCLASSEMENT POUR ALTITUDE ÉLEVÉE – GAZ PROPANE									
ALTITUDE AU-DESSUS DU NIVEAU DE LA MER	APPORT (BTU) ET ÉTAGE								
	60 000		80 000		100 000		115 000		
	1ER	2E	1ER	2E	1ER	2E	1ER	2E	
0 pi à 1 999 pi	55		55		55		55		TAILLE DE L'ORIFICE
	4,2	10,0	4,2	10,0	4,2	10,0	4,2	10,0	PRESSION DU COLLECTEUR
2 000 pi à 2 999 pi	55		55		55		55		TAILLE DE L'ORIFICE
	4,2	9,0	4,2	9,0	4,2	9,0	4,2	9,0	PRESSION DU COLLECTEUR
3 000 pi à 4 999 pi	55		55		55		55		TAILLE DE L'ORIFICE
	4,2	8,5	4,2	8,5	4,2	8,5	4,2	8,5	PRESSION DU COLLECTEUR
5 000 pi à 5 999 pi	56		56		56		56		TAILLE DE L'ORIFICE
	4,2	10,0	4,2	10,0	4,2	10,0	4,2	10,0	PRESSION DU COLLECTEUR
6 000 pi à 7 999 pi	56		56		56		56		TAILLE DE L'ORIFICE
	4,2	9,0	4,2	9,0	4,2	9,0	4,2	9,0	PRESSION DU COLLECTEUR
8 000 pi à 10 000 pi	56		56		56		56		TAILLE DE L'ORIFICE
	4,2	8,5	4,2	8,5	4,2	8,5	4,2	8,5	PRESSION DU COLLECTEUR

Tableau 11. Déclassement pour altitude élevée – Gaz propane

VALEURS CALORIFIQUES LOCALES DU GAZ NATUREL									
ALTITUDE AU-DESSUS DU NIVEAU DE LA MER	BTU PAR PIED CUBE								
	650	700	750	800	850	900	950	1 000	1 050
2 000 PI	BASSE	BASSE	BASSE	BASSE	BASSE	BASSE	HAUTE	HAUTE	HAUTE
3 000 PI	BASSE	BASSE	BASSE	BASSE	BASSE	BASSE	HAUTE	HAUTE	HAUTE
4 000 PI	BASSE	BASSE	BASSE	BASSE	BASSE	HAUTE	HAUTE	HAUTE	HAUTE
5 000 PI	BASSE	BASSE	BASSE	BASSE	BASSE	HAUTE	HAUTE	HAUTE	HAUTE
6 000 PI	BASSE	BASSE	BASSE	BASSE	HAUTE	HAUTE	HAUTE	HAUTE	HAUTE
7 000 PI	BASSE	BASSE	BASSE	BASSE	HAUTE	HAUTE	HAUTE	HAUTE	HAUTE
8 000 PI	BASSE	BASSE	BASSE	HAUTE	HAUTE	HAUTE	HAUTE	HAUTE	HAUTE
9 000 PI	BASSE	BASSE	BASSE	HAUTE	HAUTE	HAUTE	HAUTE	HAUTE	HAUTE
10 000 PI	BASSE	BASSE	HAUTE	HAUTE	HAUTE	HAUTE	HAUTE	HAUTE	HAUTE

Tableau 12. Valeurs de chauffage du gaz naturel

DÉCLASSEMENT POUR ALTITUDE ÉLEVÉE – GAZ NATUREL AVEC VALEUR CALORIFIQUE ÉLEVÉE									
ALTITUDE AU-DESSUS DU NIVEAU DE LA MER	APPORT (BTU) ET ÉTAGE								
	60 000		80 000		100 000		115 000		
	1ER	2E	1ER	2E	1ER	2E	1ER	2E	
0 pi à 1 999 pi	45		45		45		46		TAILLE DE L'ORIFICE
	1,7	3,5	1,7	3,5	1,7	3,5	1,7	3,5	PRESSION DU COLLECTEUR
2 000 pi à 2 999 pi	45		45		45		46		TAILLE DE L'ORIFICE
	1,7	3,3	1,7	3,3	1,7	3,3	1,7	3,3	PRESSION DU COLLECTEUR
3 000 pi à 3 999 pi	45		45		45		46		TAILLE DE L'ORIFICE
	1,7	3,1	1,7	3,1	1,7	3,1	1,7	3,1	PRESSION DU COLLECTEUR
4 000 pi à 4 999 pi	45		45		45		46		TAILLE DE L'ORIFICE
	1,7	2,9	1,7	2,9	1,7	2,9	1,7	2,9	PRESSION DU COLLECTEUR
5 000 pi à 5 999 pi	45		45		45		46		TAILLE DE L'ORIFICE
	1,7	2,8	1,7	2,8	1,7	2,8	1,7	2,8	PRESSION DU COLLECTEUR
6 000 pi à 6 999 pi	48		48		48		48		TAILLE DE L'ORIFICE
	1,7	3,5	1,7	3,5	1,7	3,5	1,7	3,5	PRESSION DU COLLECTEUR
7 000 pi à 7 999 pi	48		48		48		48		TAILLE DE L'ORIFICE
	1,7	3,3	1,7	3,3	1,7	3,3	1,7	3,3	PRESSION DU COLLECTEUR
8 000 pi à 8 999 pi	48		48		48		48		TAILLE DE L'ORIFICE
	1,7	3,0	1,7	3,0	1,7	3,0	1,7	3,0	PRESSION DU COLLECTEUR
9 000 pi à 9 999 pi	48		48		48		48		TAILLE DE L'ORIFICE
	1,7	2,8	1,7	2,8	1,7	2,8	1,7	2,8	PRESSION DU COLLECTEUR

Tableau 13. Déclassement pour altitude élevée – Gaz naturel avec valeur calorifique ÉLEVÉE

DÉCLASSEMENT POUR ALTITUDE ÉLEVÉE – GAZ NATUREL AVEC VALEUR CALORIFIQUE FAIBLE									
ALTITUDE AU-DESSUS DU NIVEAU DE LA MER	APPORT (BTU) ET ÉTAGE								
	60 000		80 000		100 000		115 000		
	1ER	2E	1ER	2E	1ER	2E	1ER	2E	
0 pi à 1 999 pi	45		45		45		46		TAILLE DE L'ORIFICE
	1,7	3,5	1,7	3,5	1,7	3,5	1,7	3,5	PRESSION DU COLLECTEUR
2 000 pi à 2 999 pi	45		45		45		46		TAILLE DE L'ORIFICE
	1,7	3,5	1,7	3,5	1,7	3,5	1,7	3,5	PRESSION DU COLLECTEUR
3 000 pi à 3 999 pi	45		45		45		46		TAILLE DE L'ORIFICE
	1,7	3,4	1,7	3,4	1,7	3,4	1,7	3,4	PRESSION DU COLLECTEUR
4 000 pi à 4 999 pi	45		45		45		46		TAILLE DE L'ORIFICE
	1,7	3,2	1,7	3,2	1,7	3,2	1,7	3,2	PRESSION DU COLLECTEUR
5 000 pi à 5 999 pi	45		45		45		46		TAILLE DE L'ORIFICE
	1,7	3,1	1,7	3,1	1,7	3,1	1,7	3,1	PRESSION DU COLLECTEUR
6 000 pi à 6 999 pi	45		45		45		46		TAILLE DE L'ORIFICE
	1,7	2,9	1,7	2,9	1,7	2,9	1,7	2,9	PRESSION DU COLLECTEUR
7 000 pi à 7 999 pi	48		48		48		48		TAILLE DE L'ORIFICE
	1,7	3,5	1,7	3,5	1,7	3,5	1,7	3,5	PRESSION DU COLLECTEUR
8 000 pi à 8 999 pi	48		48		48		48		TAILLE DE L'ORIFICE
	1,7	3,3	1,7	3,3	1,7	3,3	1,7	3,3	PRESSION DU COLLECTEUR
9 000 pi à 9 999 pi	48		48		48		48		TAILLE DE L'ORIFICE
	1,7	3,1	1,7	3,1	1,7	3,1	1,7	3,1	PRESSION DU COLLECTEUR

Tableau 14. Déclassement pour altitude élevée – Gaz naturel avec valeur calorifique FAIBLE

Renseignements électriques

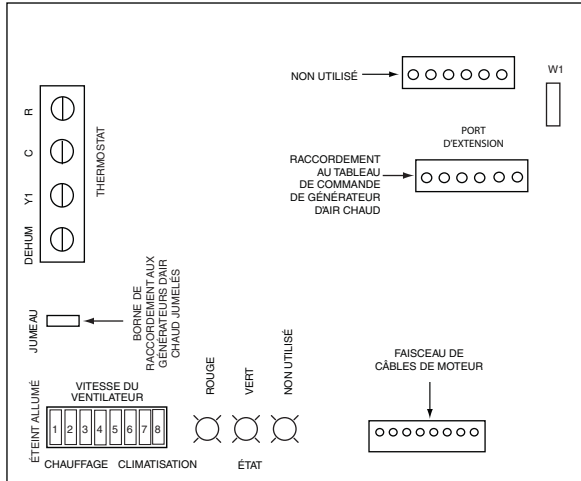


Figure 27. Tableau de commande de moteur à vitesse fixe à deux étages

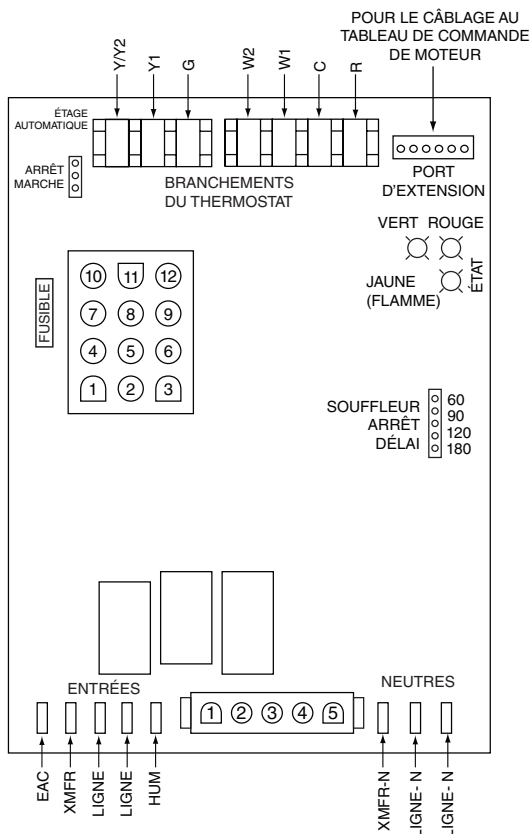


Figure 29. Tableau de commande de générateur d'air chaud à deux étages

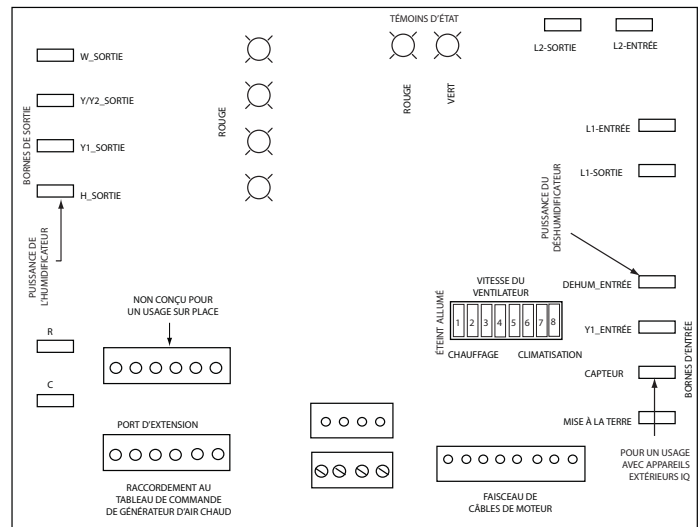


Figure 28. Tableau de commande de moteur à vitesse variable à deux étages

SCHEMA DE CÂBLAGE

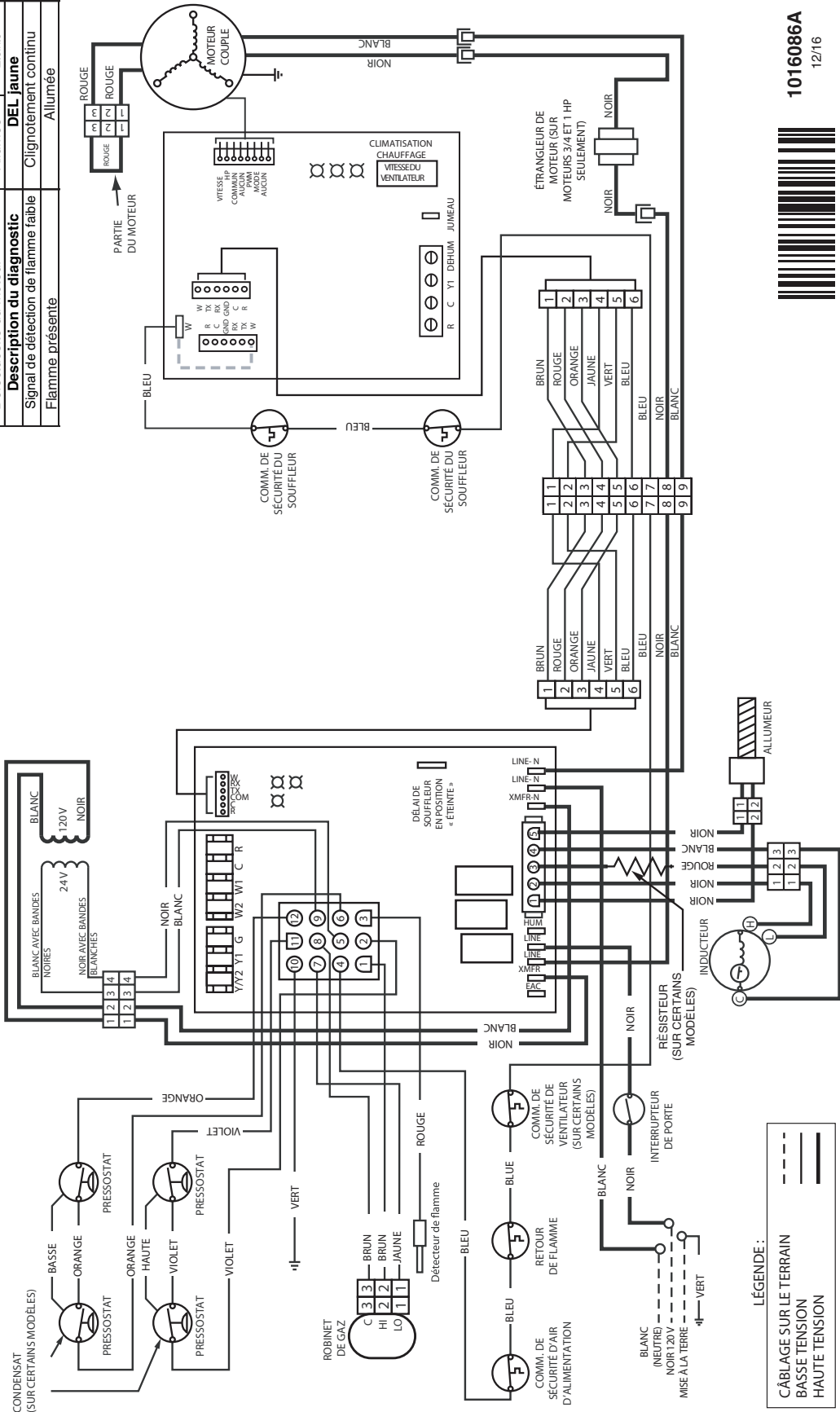
Pour les fournaises à flux ascendant, à deux stades et vitesse fixe 80+ et 90+

Consulter la notice d'installation fournie avec la trousse pour connaître les vitesses de chauffage et de climatisation appropriées de votre application.

Ce schéma de câblage montre uniquement les branchements et raccordements requis pour la trousse de souffleur. Utiliser en complément du schéma de câblage de la fournaise.

Si l'un des fils d'origine fournis avec le générateur d'air chaud doit être remplacé, il faut utiliser du matériel de câblage avec une cote de température d'au moins 105 °C.

Utiliser uniquement des conducteurs en cuivre.



DÉFECTUOSITÉS	
Description du diagnostic	DEL rouge
Défectuosité du contrôleur (Aucun courant)	Éteinte
Défectuosité L1/polarité neutre	Clignotante
Verrouillage d'une heure	Clignotement en alternance
Fonctionnement normal	Allumée
Défectuosité – Pressostat fermé	Allumée
Défectuosité – Pressostat ouvert	Clignotante
Défectuosité de commutateur de sécurité ouvert	Clignotante
Défectuosité du moteur	Allumée
Description du diagnostic DEL jaune	
Signal de détection de flamme faible	Clignotement continu
Flamme présente	Allumée



SCHEMA DE CÂBLAGE

Pour les fournaies à flux descendant, à deux stades et vitesse fixe 80+ et 90+

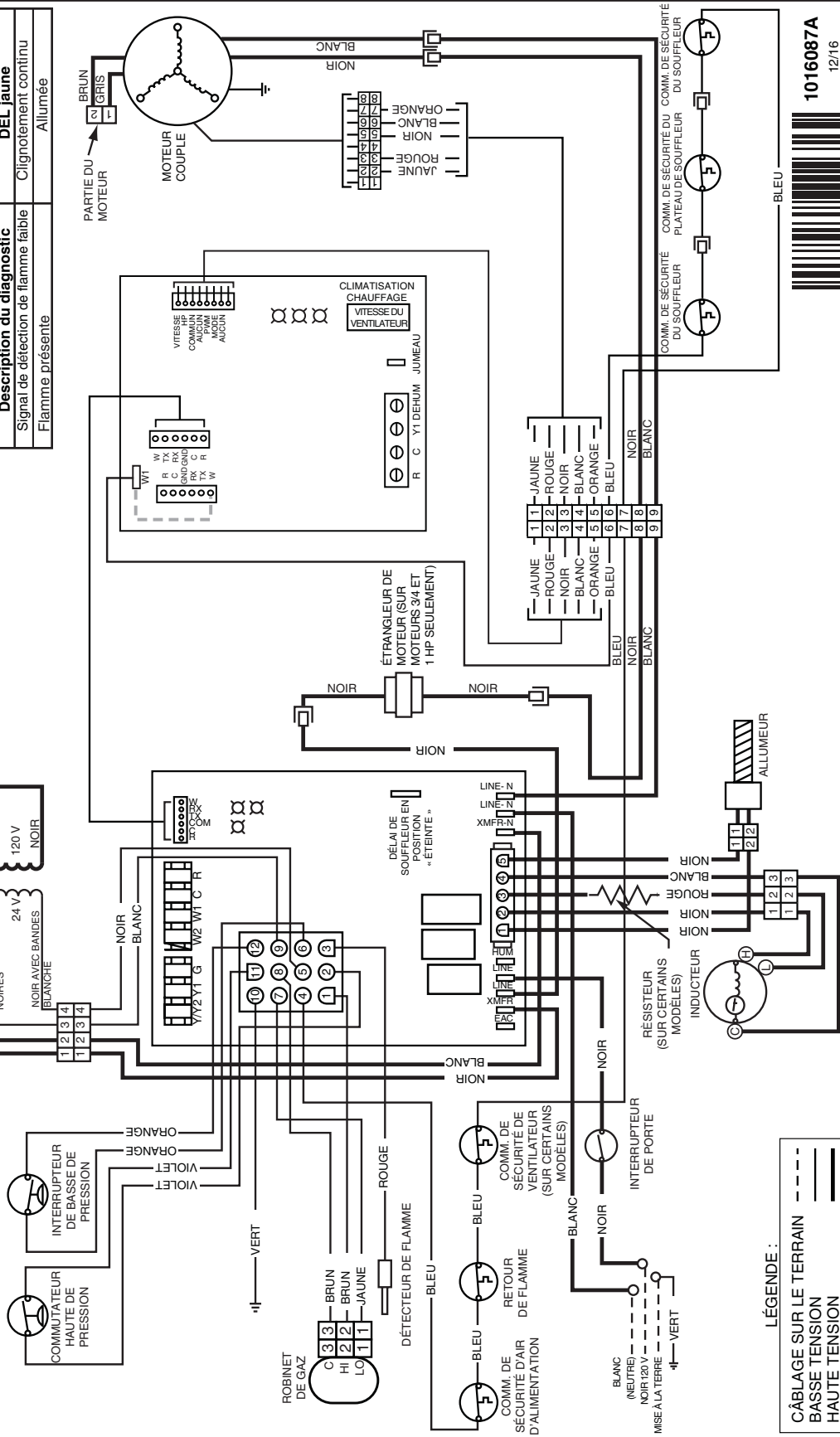
Consulter la notice d'installation fournie avec la trousse pour connaître les vitesses de chauffage et de climatisation appropriées de votre application.

Ce schéma de câblage montre uniquement les branchements et raccordements requis pour la trousse de souffleur. Utiliser en complément du schéma de câblage de la fournaise.

Si l'un des fils d'origine fournis avec le générateur d'air chaud doit être remplacé, il faut utiliser du matériel de câblage avec une cote de température d'au moins 105 °C.

Utiliser uniquement des conducteurs en cuivre.

DÉFECTUOSITÉS	
Description du diagnostic	DEL verte DEL rouge
Défectuosité du contrôleur (Aucun courant)	Éteinte
Défectuosité L1/polarité neutre	Clignotante
Verrouillage d'une heure	Clignotement en alternance
Fonctionnement normal	Allumée
Défectuosité - Pressostat fermé	Allumée
Défectuosité - Pressostat ouvert	Clignotante
Défectuosité de commutateur de sécurité ouvert	Clignotante
Défectuosité du moteur	Allumée
DEL jaune	
Description du diagnostic	Clignotement continu
Signal de détection de flamme faible	Allumée
Flamme présente	Allumée



LÉGENDE :

- CÂBLAGE SUR LE TERRAIN
- BASSE TENSION
- ▬ HAUTE TENSION

1016087A
12/16

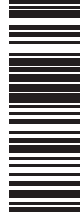


Figure 31. Schéma de câblage pour générateur d'air chaud à flux descendant, vitesse fixe et deux étages

SCHEMA DE CÂBLAGE

Pour les fournaises à flux ascendant, à deux stades et vitesse variable 80+ et 90+

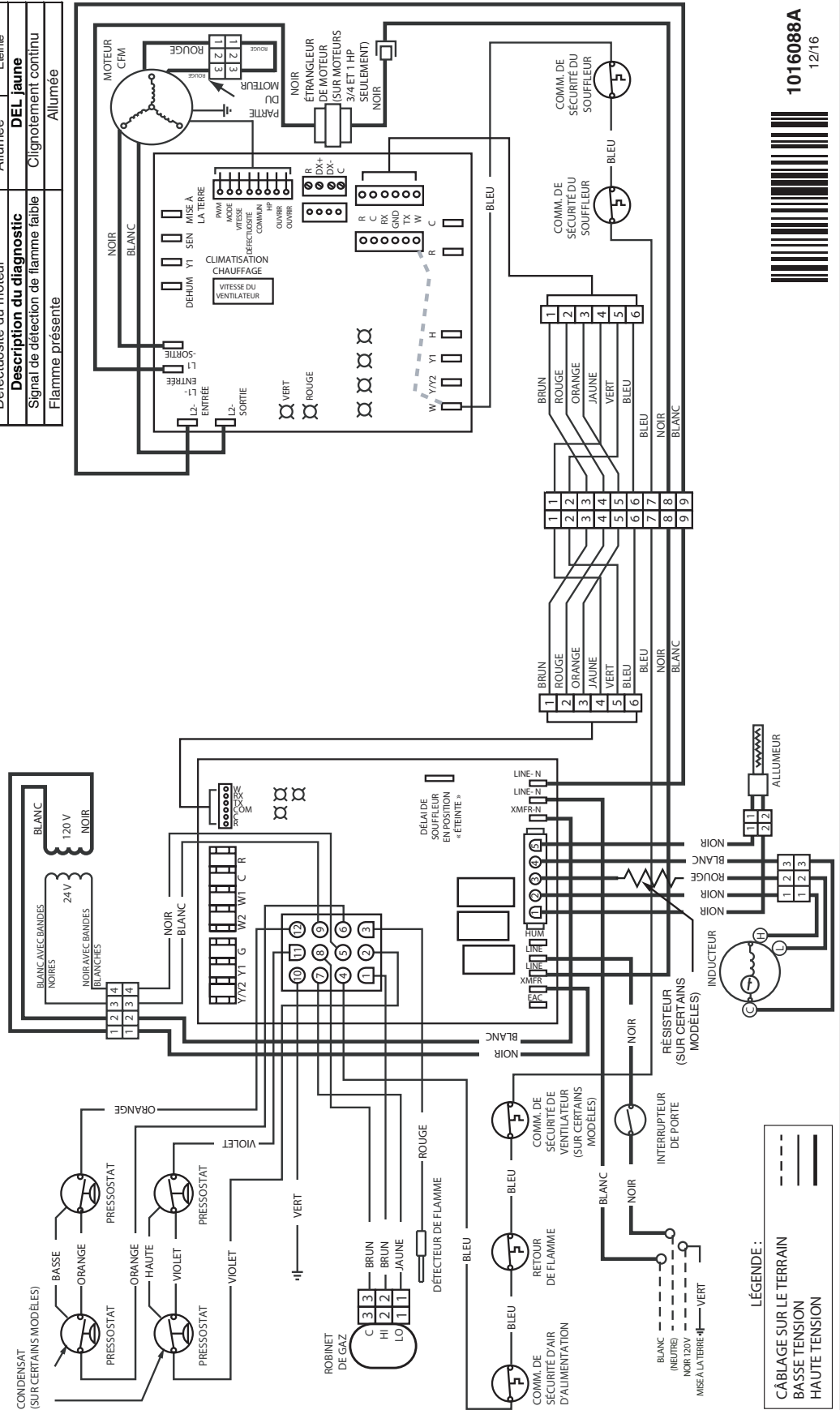
Consulter la notice d'installation fournie avec la trousse pour connaître les vitesses de chauffage et de climatisation appropriées de votre application.

Ce schéma de câblage montre uniquement les branchements et raccordements requis pour la trousse de souffleur. Utiliser en complément du schéma de câblage de la fournaise.

Si l'un des fils d'origine fournis avec le générateur d'air chaud doit être remplacé, il faut utiliser du matériel de câblage avec une cote de température d'au moins 105 °C.

Utiliser uniquement des conducteurs en cuivre.

DÉFECTUOSITÉS	
Description du diagnostic	DEL verte
Défectuosité du contrôleur (Aucun courant)	Éteinte
Défectuosité L1/polarité neutre	Clignotante
Verrouillage d'une heure	Clignotement en alternance
Fonctionnement normal	Allumée
Défectuosité – Pressostat fermé	Allumée
Défectuosité – Pressostat ouvert	Clignotante
Défectuosité de commutateur de sécurité ouvert	Clignotante
Défectuosité du moteur	Allumée
Description du diagnostic DEL jaune	
Signal de détection de flamme faible	Clignotement continu
Flamme présente	Allumée



1016088A
12/16

Figure 32. Schéma de câblage pour générateur d'air chaud à flux ascendant, vitesse variable et deux étages

SCHEMA DE CÂBLAGE

Pour les fournaises à flux descendant, à deux stades et vitesse variable 80+ et 90+

Consulter la notice d'installation fournie avec la trousse pour connaître les vitesses de chauffage et de climatisation appropriées de votre application.

Ce schéma de câblage montre uniquement les branchements et raccordements requis pour la trousse de souffleur. Utiliser en complément du schéma de câblage de la fournaise.

Si l'un des fils d'origine fournis avec le générateur d'air chaud doit être remplacé, il faut utiliser du matériel de câblage avec une cote de température d'au moins 105 °C.

Utiliser uniquement des conducteurs en cuivre.

DÉFECTUOSITÉS			
Description du diagnostic	DEL verte	DEL rouge	
Défectuosité du contrôleur (Aucun courant)	Éteinte	Éteinte	Éteinte
Défectuosité L1/polarité neutre	Clignotante	Clignotante	Clignotante
Verrouillage d'une heure	Clignotement en alternance	Clignotement en alternance	Clignotement en alternance
Fonctionnement normal	Allumée	Allumée	Allumée
Défectuosité – Pressostat fermé	Allumée	Clignotante	Clignotante
Défectuosité – Pressostat ouvert	Clignotante	Allumée	Allumée
Défectuosité de commutateur de sécurité ouvert	Clignotante	Éteinte	Éteinte
Défectuosité du moteur	Allumée	Éteinte	Éteinte
Description du diagnostic DEL jaune			
Signal de détection de flamme faible	Clignotement continu		
Flamme présente	Allumée		

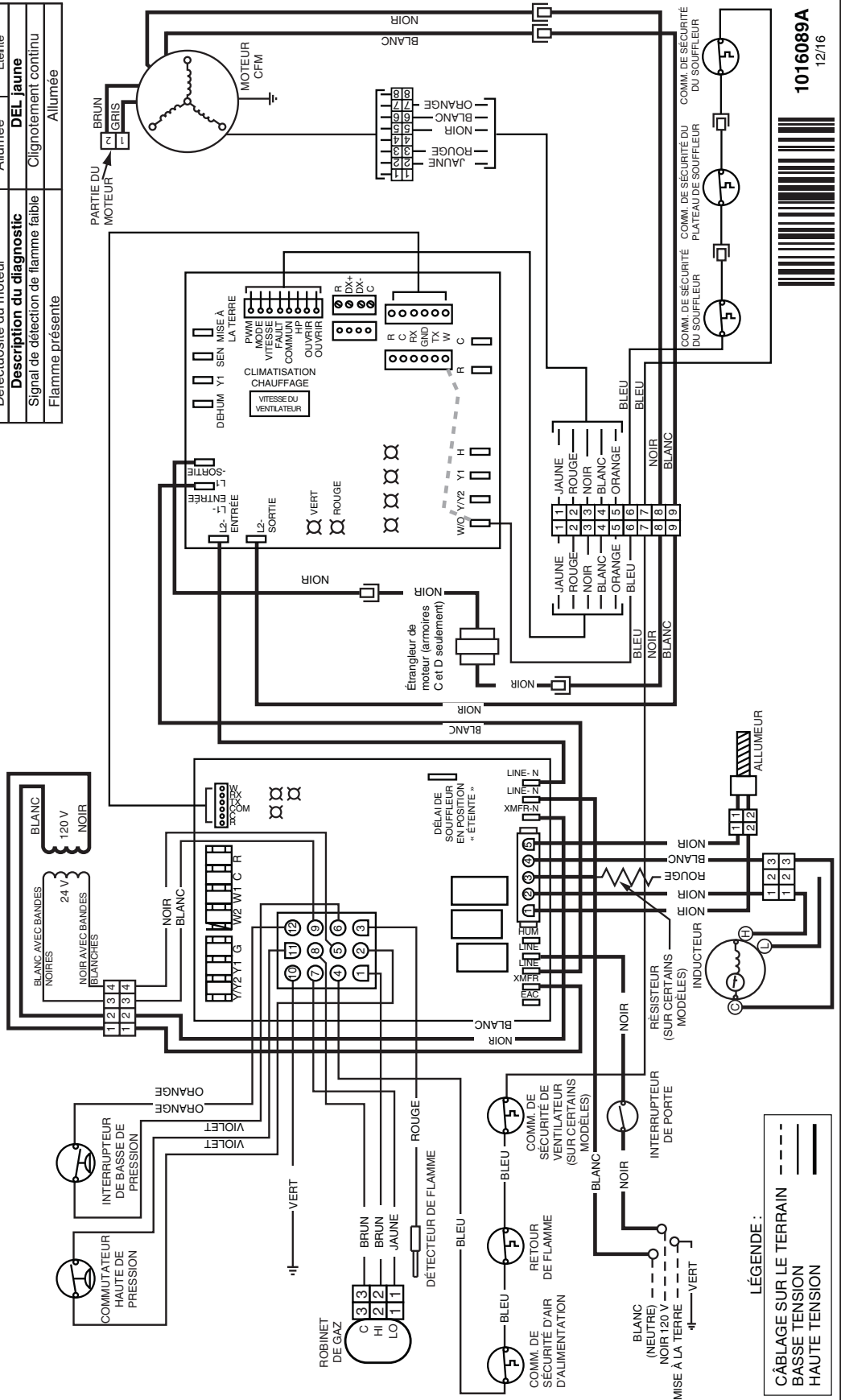
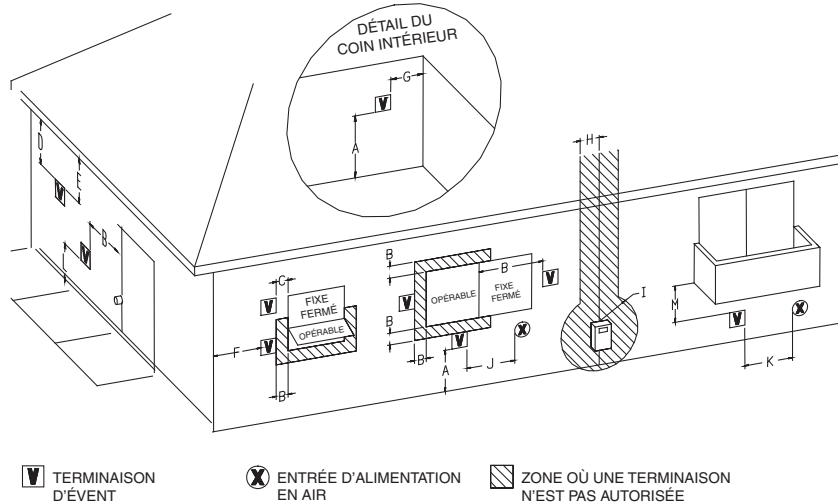


Figure 33. Schéma de câblage pour générateur d'air chaud à flux descendant, vitesse variable et deux étages

Renseignements sur la ventilation



EMPLACEMENT DU DÉGAGEMENT	INSTALLATIONS AU CANADA ^A	INSTALLATIONS AUX ÉTATS-UNIS ^B	
	GÉNÉRATEURS D'AIR CHAUD À ÉVACUATION DIRECTE (2 CONDUITS) ET GÉNÉRATEURS D'AIR CHAUD À VENTILATION CLASSIQUE (1 CONDUIT)	GÉNÉRATEURS D'AIR CHAUD À ÉVACUATION DIRECTE (2 CONDUITS)	GÉNÉRATEURS D'AIR CHAUD À ÉVACUATION CLASSIQUE (1 CONDUIT)
A = Dégagement au-dessus du sol, d'une véranda, d'un porche, d'un patio, d'un balcon ou du niveau de neige prévu maximal.	12 pouces (30 cm)	12 pouces (30 cm)	12 pouces (30 cm)
B = Dégagement à une fenêtre ou une porte qui pourrait être ouverte.	6 pouces (15 cm) pour appareils < 10 000 BTU/h (3 kW)	6 pouces (15 cm) pour appareils < 10 000 BTU/h (3 kW)	4 pi (1,2 m) sous ou sur le côté de l'ouverture; 1 pi (300 mm) au-dessus de l'ouverture
	12 pouces (30 cm) pour appareils 10 000 BTU/h à 100 000 BTU/h (30 kW)	9 pouces (23 cm) pour appareils 10 000 BTU/h à 50 000 BTU/h (15 kW)	
	36 pouces (91 cm) pour appareils > 100 000 BTU/h (30 kW)	12 pouces (30 cm) pour appareils > 50 000 BTU/h (15 kW)	
C = Dégagement à une fenêtre fermée en permanence.	*	*	*
D = Dégagement vertical à un soffite ventilé situé au-dessus de la terminaison à une distance horizontale de 2 pieds (61 cm) de la ligne centrale de la terminaison.	*	*	*
E = Dégagement à un soffite non ventilé.	*	*	*
F = Dégagement au coin extérieur.	*	*	*
G = Dégagement au coin intérieur.	*	*	*
H = Dégagement de chaque côté de la ligne centrale prolongée au-dessus de l'ensemble compteur/régulateur.	3 pieds (91 cm) à l'intérieur d'une hauteur de 15 pieds au-dessus de l'ensemble compteur/régulateur.	*	*
I = Dégagement à la sortie de l'évent du régulateur de service.	3 pieds (0,91 m)	*	*
J = Dégagement à l'entrée d'alimentation d'air non mécanique dans le bâtiment ou à l'entrée d'air de combustion de tout autre appareil.	6 pouces (15 cm) pour appareils < 10 000 BTU/h (3 kW)	6 pouces (15 cm) pour appareils < 10 000 BTU/h (3 kW)	4 pi (1,2 m) sous ou sur le côté de l'ouverture; 1 pi (300 mm) au-dessus de l'ouverture
	12 pouces (30 cm) pour appareils 10 000 BTU/h à 100 000 BTU/h (30 kW)	9 pouces (23 cm) pour appareils 10 000 BTU/h à 50 000 BTU/h (15 kW)	
	36 pouces (91 cm) pour appareils > 100 000 BTU/h (30 kW)	12 pouces (30 cm) pour appareils > 50 000 BTU/h (15 kW)	
K = Dégagement à l'entrée d'alimentation d'air mécanique.	6 pi (1,83 m)	3 pieds (91 cm) au-dessus si à une distance horizontale de 10 pieds (3 m)	3 pieds (91 cm) au-dessus si à une distance horizontale de 10 pieds (3 m)
L = Dégagement au-dessus d'une allée ou d'un trottoir pavé situé sur une propriété publique.	7 pieds (2,13 m) ^e	*	7 pieds (2,13 m)
M = Dégagement sous une véranda, un porche, un patio ou un balcon.	12 pouces (30 cm) ^d	*	*

a : Conformément au Code d'installation actuel relatif au gaz naturel et au propane CSA B149.1.

b : Conformément à la norme actuelle ANSI Z223.1/NFPA 54 du Natural Fuel Gas Code.

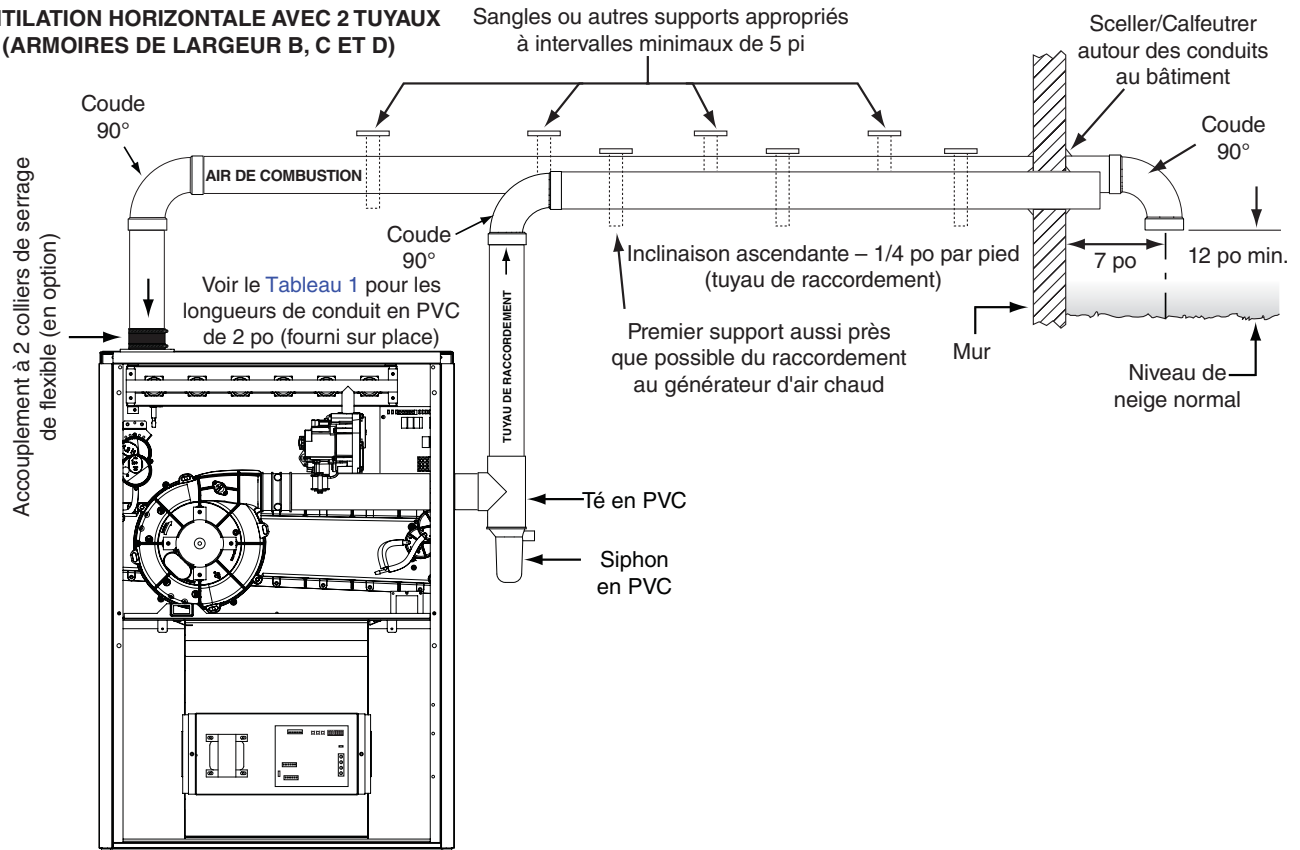
c : Un événement ne doit pas se terminer directement au-dessus d'une allée pavée ou d'un trottoir situé entre deux résidences unifamiliales individuelles et desservir les deux résidences.

d : Autorisé uniquement si la véranda, le porche, le patio ou le balcon est entièrement ouvert sur un minimum de deux côtés sous le plancher.

* Pour les dégagements non indiqués dans la norme ANSI Z223.1/NFPA 54 ou CSA B149.1, il faut inclure la déclaration ci-dessous : « Dégagement défini conformément aux codes d'installation locaux et aux exigences du fournisseur de gaz et aux directives d'installation du fabricant. »

Tableau 15. Dégagements de terminaison d'évent

**VENTILATION HORIZONTALE AVEC 2 TUYAUX
(ARMOIRES DE LARGEUR B, C ET D)**



**VENTILATION VERTICALE AVEC 2 TUYAUX
(ARMOIRES DE LARGEUR B, C ET D)**

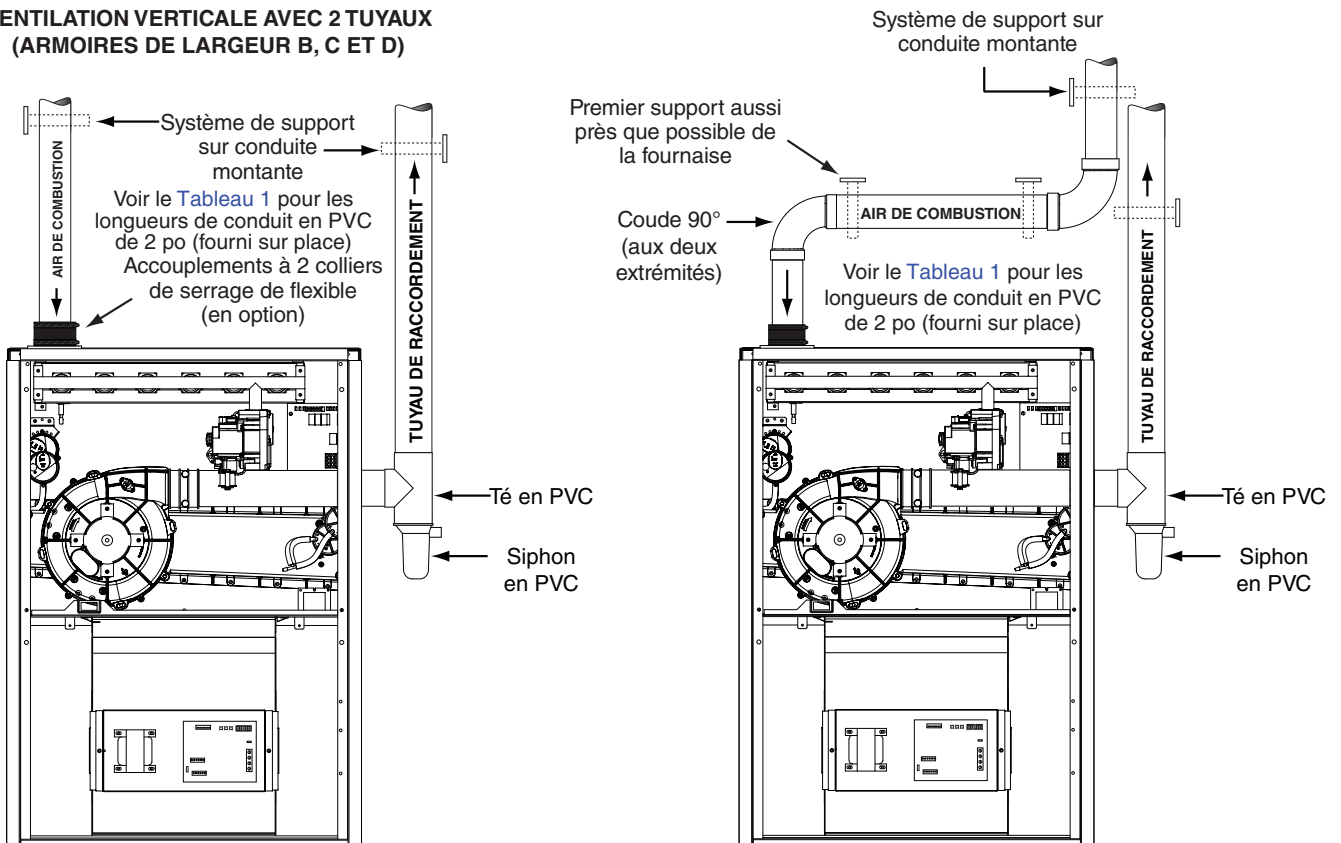
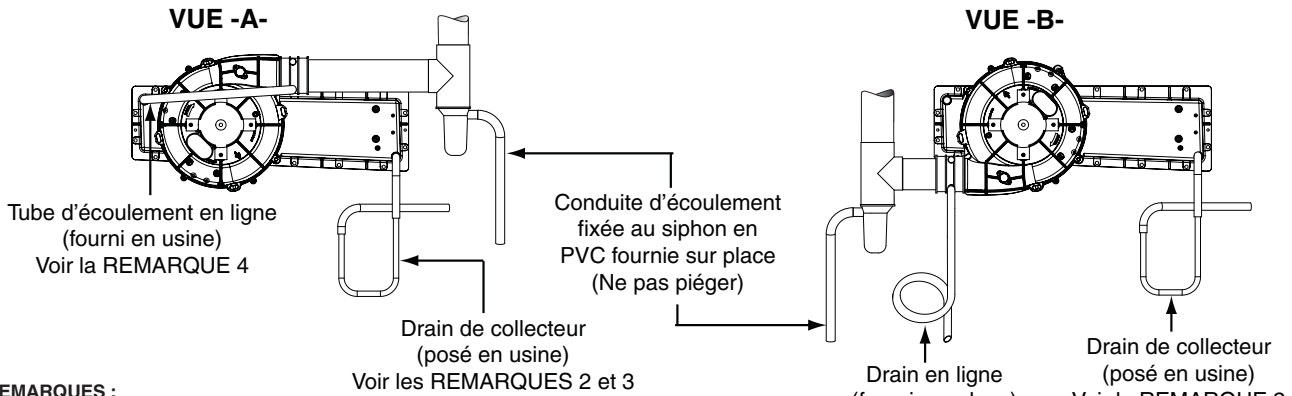
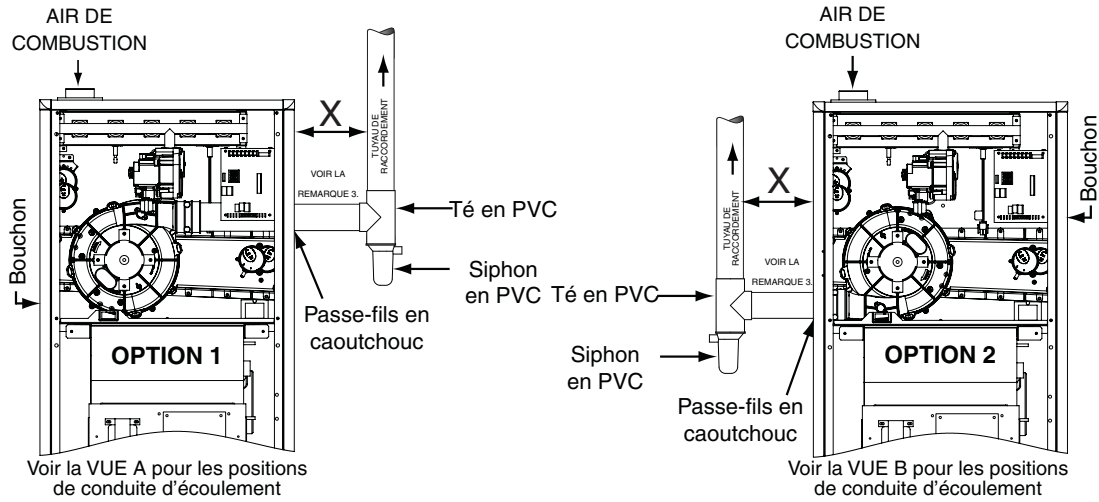


Figure 34. Ventilation horizontale et ventilation verticale (cabinets de largeur B, C et D)

**FLUX ASCENDANT – OPTIONS À 1 TUYAU
(ARMOIRES DE LARGEUR B, C ET D SEULEMENT)**



REMARQUES :

1. Consulter la section Accessoires (page 17) pour connaître les configurations de té en PVC en option et les options d'écoulement.
2. Le tube d'écoulement doit être doté d'un siphon en J ou d'une boucle fournie sur place et l'écoulement doit se faire à l'extérieur de l'armoire. Il est possible de placer les siphons à l'intérieur ou à l'extérieur de l'armoire.
3. Un drain en ligne est requis uniquement si « X » est supérieur à 6 pieds.
4. Il faut couper la tuyauterie à la bonne longueur et les fixer pendant l'installation de l'appareil.
5. La tuyauterie horizontale entre l'inducteur et le tuyau de raccordement doit être inclinée de 1/4 po par pied pour assurer l'écoulement jusqu'au siphon en PVC.

**FLUX ASCENDANT – OPTIONS À 2 TUYAU
(ARMOIRES DE LARGEUR B, C ET D SEULEMENT)**

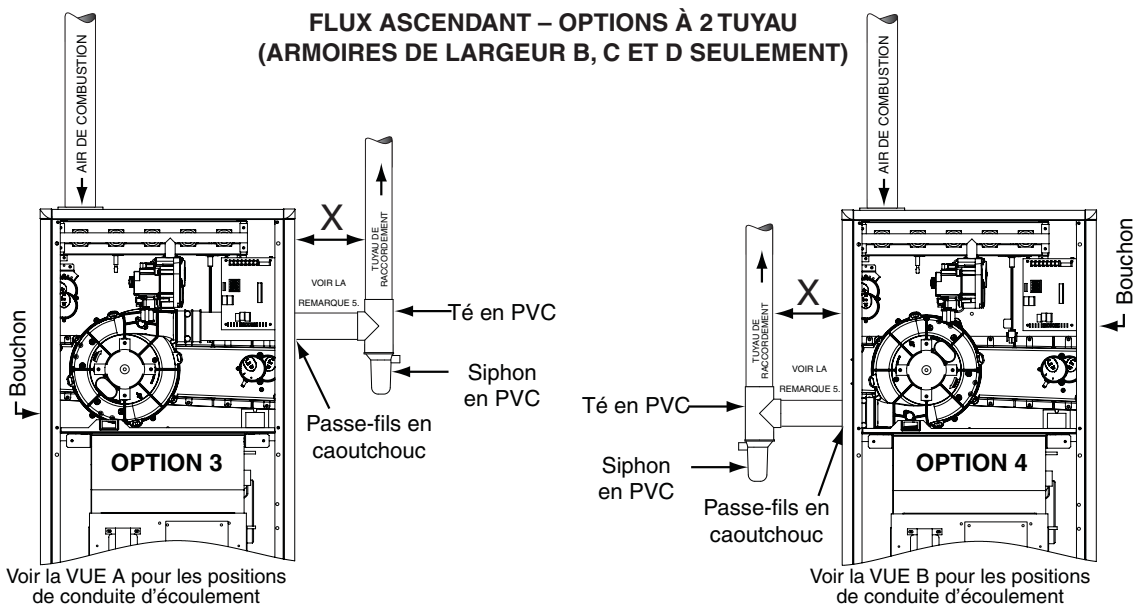
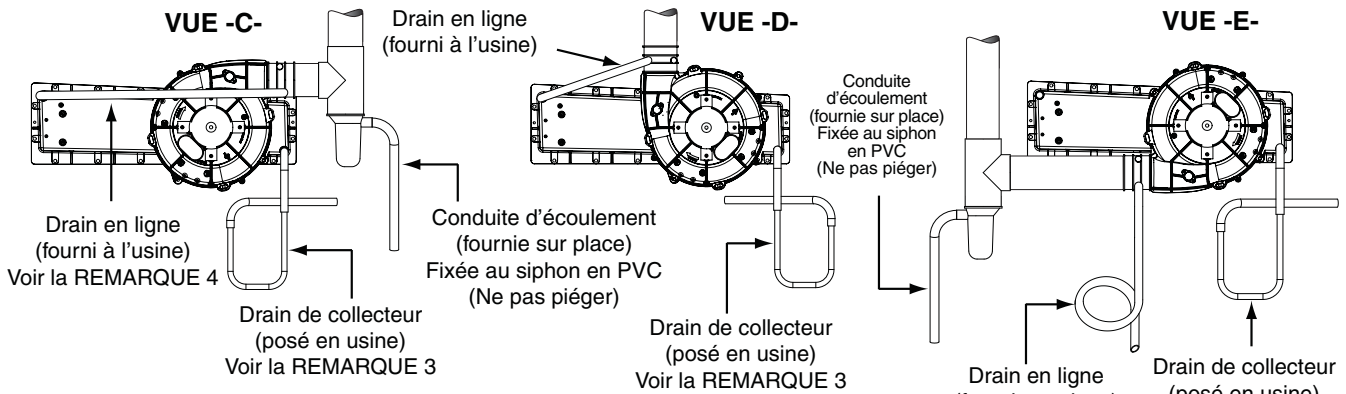
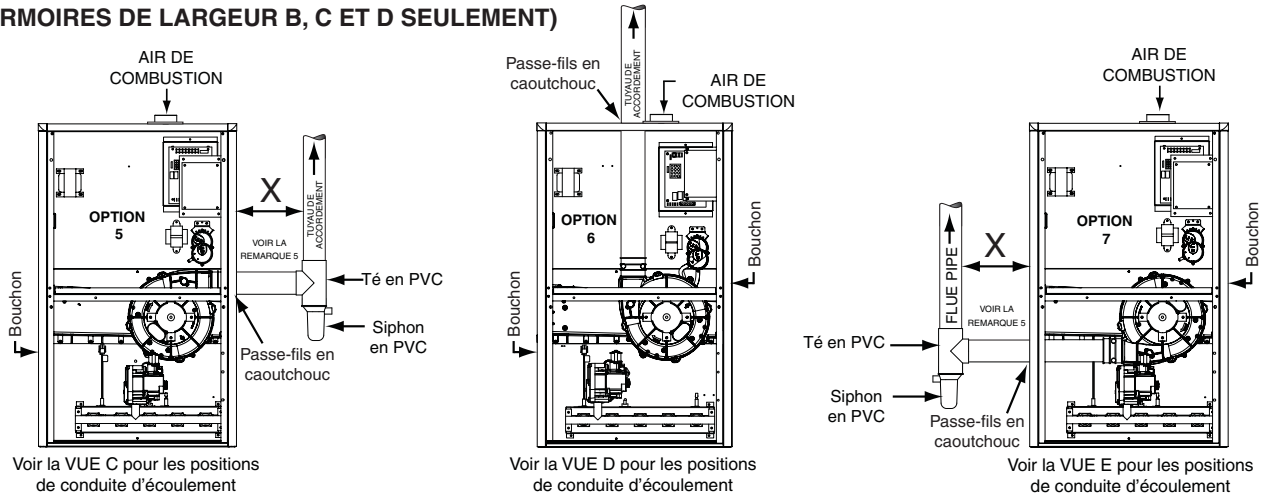


Figure 35. Options de ventilation à flux ascendant (armoires de largeur B, C et D)

**FLUX DESCENDANT – OPTION À 1 TUYAU
(ARMOIRES DE LARGEUR B, C ET D SEULEMENT)**



REMARQUES :

1. Consulter la section Accessoires (page 17) pour connaître les configurations de té en PVC en option et les options d'écoulement.
2. Il est possible de placer les siphons des conduites d'écoulement à l'intérieur ou à l'extérieur de l'armoire.
3. Toutes les conduites d'écoulement doivent être doté d'un siphon en J ou d'une boucle fournie sur place et l'écoulement doit se faire à l'extérieur de l'armoire.
4. Un drain en ligne est requis uniquement si « X » est supérieur à 6 pieds.
5. La tuyauterie horizontale entre l'inducteur et le tuyau de raccordement doit être inclinée de 1/4 po par pied pour assurer l'écoulement jusqu'au siphon en PVC.

**FLUX DESCENDANT – OPTION À 2 TUYAUX
(ARMOIRES DE LARGEUR B, C ET D SEULEMENT)**

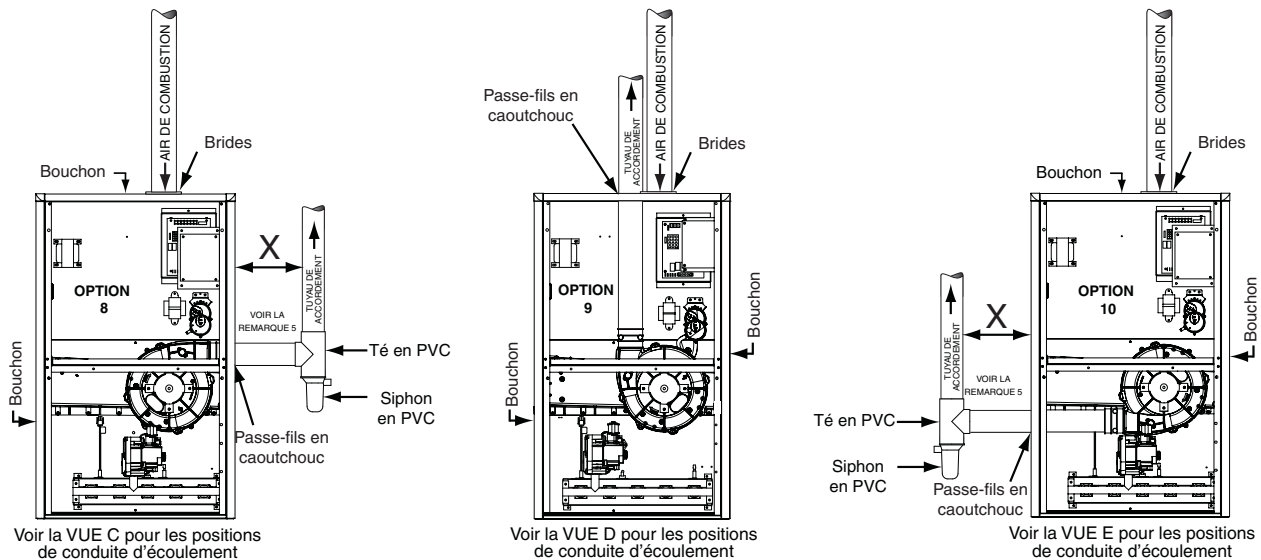


Figure 36. Options à flux descendant

DIAGNOSTIC DE DÉFAILLANCES

Si le générateur d'air chaud ne fonctionne pas, vérifier les éléments suivants :

- Le thermostat fonctionne-t-il correctement?
- La ou les portes du compartiment de souffleur sont-elles en place?
- Le sectionneur du générateur d'air chaud est-il fermé?
- Le disjoncteur s'est-il déclenché ou le fusible du tableau de commande est-il grillé?
- L'alimentation en gaz est-elle ouverte?
- Y a-t-il des interrupteurs de réarmement manuels ouverts?
- Le filtre est-il sale ou bouché?
- Le détecteur de flamme est-il encrassé? (Retirer le détecteur et le nettoyer avec de la laine d'acier. Ne pas utiliser de toile émeri ou de papier abrasif.)
- Est-ce que toutes les DEL sur les tableaux de commande du générateur d'air chaud et du moteur sont constamment ALLUMÉES? Si non, consulter les [Tableau 16](#) et [Tableau 17](#) ou les schémas de câblage ([Figure 30](#) (page 39), [Figure 31](#) (page 40), [Figure 32](#) (page 41) et [Figure 33](#) (page 42) pour déterminer la défectuosité.

REMARQUE IMPORTANTE

Le générateur d'air chaud se verrouille après 5 tentatives d'allumage échouées et tente un nouvel allumage toutes les heures si l'appel de chaleur ce maintient.

- Si le souffleur d'inducteur fonctionne et que les éléments ci-dessus ont été vérifiés, vérifier le commutateur de sécurité du souffleur et le réenclencher au besoin. Consulter [Figure 37](#) (page 48).
- Si le générateur d'air chaud fonctionne lorsque le commutateur de sécurité du souffleur est réenclenché, communiquer avec un technicien de service qualifié qui doit déterminer et corriger le problème.

DESCRIPTION DU DIAGNOSTIC	DEL VERTE	DEL ROUGE
Défectuosité du contrôleur (Aucun courant)	Éteint	Éteint
Défectuosité L1/polarité neutre	Clignotante	Clignotante
Verrouillage 1 heure	Clignotement alternant	
Fonctionnement normal	Allumé	Allumé
Défectuosité – Pressostat fermé	Allumé	Clignotante
Défectuosité – Pressostat ouvert	Clignotante	Allumé
Défectuosité de commutateur de sécurité ouvert	Clignotante	Éteint
Défectuosité du moteur	Allumé	Éteint
DESCRIPTION DU DIAGNOSTIC	DEL JAUNE	
Signal de détection de flamme faible	Clignotement continu	
Flamme présente	Allumé	

Tableau 16. Défectuosités du tableau de commande du générateur d'air chaud

	DESCRIPTION DU DIAGNOSTIC	DEL VERTE	DEL ROUGE
Générateurs d'air chaud à vitesse fixe	Défectuosité du contrôleur (Aucun courant)	Éteint	Éteint
	Fonctionnement normal	Allumé	Allumé
	Défectuosité du moteur	Allumé	Clignotante
	Double défectuosité (absence de moteur)	Clignotante	Allumé
	Défectuosité de communication	Clignotante	Clignotante
Fournaies à vitesse variable	Défectuosité du contrôleur (Aucun courant)	Éteint	Éteint
	Fonctionnement normal	Allumé	Allumé
	Défectuosité du moteur	Allumé	Clignotante
	Défectuosité de communication	Clignotante	Clignotante

Tableau 17. Défectuosités du tableau de commande de moteur

- Si le générateur d'air chaud ne fonctionne toujours pas, vérifier les interrupteurs de retour de flamme ([Figure 37](#)) et le réenclencher au besoin.
- Si le générateur d'air chaud fonctionne lorsque le commutateur de retour de flamme est réenclenché, communiquer avec un technicien de service qualifié qui doit déterminer et corriger le problème.

COMPOSANTS DU GÉNÉRATEUR D'AIR CHAUD

Les descriptions ci-dessous sont celles de différents composants fonctionnels qui ont une incidence sur le fonctionnement et l'arrêt de ce générateur d'air chaud. Certains de ces composants et leur emplacement sont montrés à la [Figure 37](#) (page 48). S'il faut remplacer l'un des composants du générateur d'air chaud, utiliser uniquement des pièces de remplacement homologuées par le fabricant, indiquées dans la liste de pièces de remplacement fournie en ligne.

Commutateur de sécurité de souffleur – Empêche le fonctionnement lorsque le souffleur ne fonctionne pas.

Contacteur d'écoulement de condensat – Le contacteur d'écoulement de condensat arrête le générateur d'air chaud si le drain à condensat du bac d'égouttement est bouché.

Détecteur de flamme – Vérifie si une flamme s'est transmise de l'allumeur au brûleur de l'extrémité opposée. Si aucune flamme n'est détectée, le générateur d'air chaud s'arrête dans les 4 secondes.

Interrupteur de retour de flamme – Vérifie que les flammes du brûleur sont aspirées dans les tubes de l'échangeur de chaleur. Si les flammes du brûleurs sont mal aspirées dans l'échangeur de chaleur, l'interrupteur de retour de flamme ferme le robinet de gaz et initie un cycle d'arrêt.

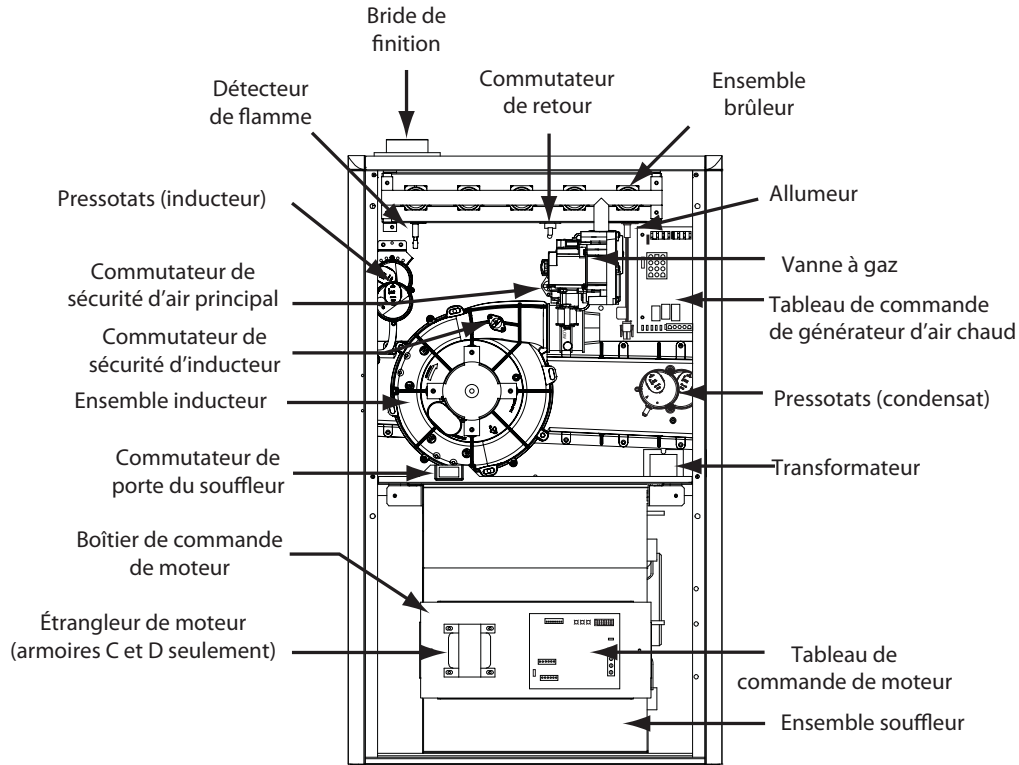
Robinet de gaz – Régule le débit de gaz aux brûleurs. Lorsque le robinet de gaz est mis sous tension, il s'ouvre automatiquement et régule la pression de gaz dans le collecteur.

Ensemble inducteur – Évacue les produits de combustion à l'extérieur.

Pressostats – Vérifie que l'inducteur aspire les gaz de combustion par l'échangeur de chaleur. Le pressostat empêche le générateur d'air chaud de fonctionner en cas d'obstruction excessive du conduit/condensat ou en cas de fonctionnement inapproprié de l'inducteur.

Commutateur de sécurité d'air d'alimentation – Empêche la température de l'air sortant du générateur d'air chaud d'excéder la température d'air de sortie permise maximale.

GÉNÉRATEUR D'AIR CHAUD À FLUX ASCENDANT (*SÉRIE TE)



GÉNÉRATEUR D'AIR CHAUD À FLUX DESCENDANT (*SÉRIE TN)

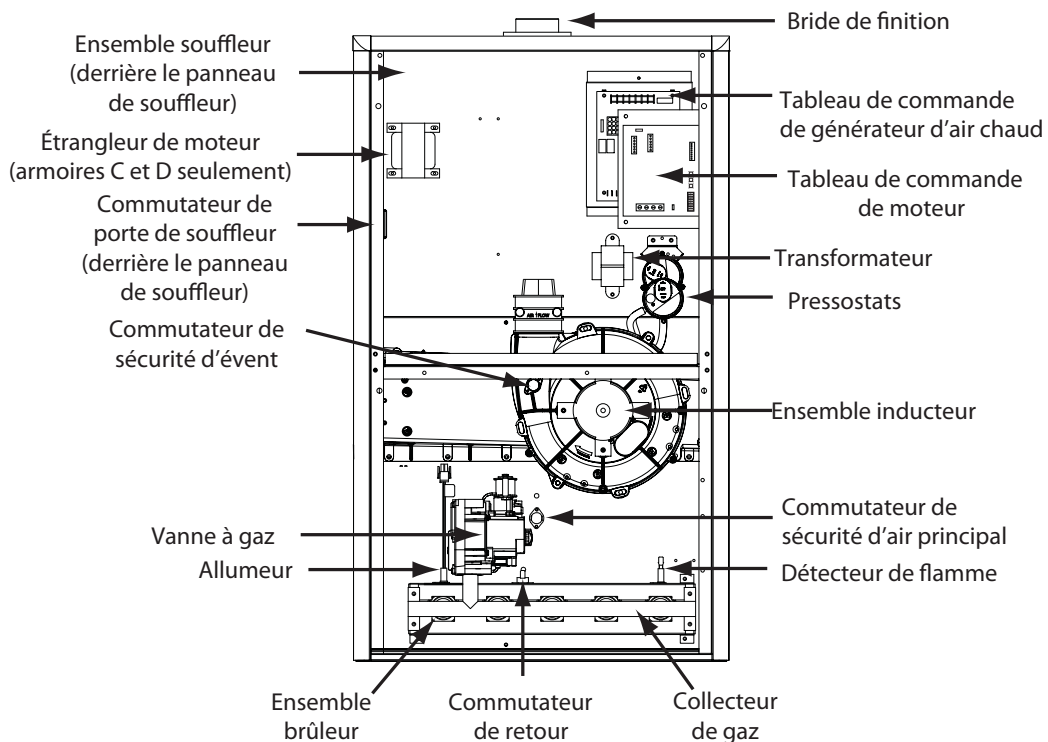


Figure 37. Emplacement des composants

LISTE DE VÉRIFICATION DE L'INSTALLATION

NOM DE L'INSTALLATEUR :		
VILLE :	PROVINCE :	
ADRESSE DE L'INSTALLATION :		
VILLE :	PROVINCE :	
NO MODÈLE DE L'APPAREIL		
NO SÉRIE DE L'APPAREIL		
Les dégagements minimaux sont indiqués dans la Figure 1 (page 6) ?	OUI	NON
Les renseignements sur le propriétaire ont-ils été passés en revue avec le propriétaire de la maison?	OUI	NON
Les documents ont-ils été laissés à proximité du générateur d'air chaud?	OUI	NON

REMARQUE À L'INTENTION DES INSTALLATEURS :

Il est de votre responsabilité de mieux connaître ce produit que votre client. Cela inclut la capacité d'installer le produit conformément aux directives de sécurité strictes et d'informer le client sur la façon d'utiliser et de maintenir l'appareil pour assurer la durée de vie du produit. La sécurité doit toujours être le facteur déterminant lors de l'installation de ce produit et le fait de faire preuve de bon sens est également important. Prêter attention à tous les avertissements de sécurité et toute autre remarque spéciale donnée dans le manuel. L'installation inappropriée du générateur d'air chaud ou le non-respect des avertissements de sécurité risque d'entraîner des blessures graves, la mort ou des dommages matériels.

Ces directives sont principalement destinées à aider les installateurs qualifiés et expérimentés dans l'installation de cet appareil. Certains codes locaux exigent que ce type d'appareil soit installé par un installateur/réparateur agréé. Veuillez lire attentivement toutes les directives avant de commencer l'installation. Remettre ces instructions dans les documents du client pour référence future.

CIRCUIT ÉLECTRIQUE		
Les branchements électriques sont-ils serrés?	OUI	NON
La polarité de la tension de ligne est-elle correcte?	OUI	NON
Tension d'alimentation : VOLTS		
Le thermostat a-t-il été étalonné?	OUI	NON
Le thermostat est-il de niveau?	OUI	NON
Le réglage de l'anticipateur de chaleur est correct?	OUI	NON

SYSTÈME AU GAZ		
Type de gaz : (encercler une réponse)	Gaz naturel	Propane
A-t-on effectué un essai d'étanchéité des raccordements de conduit de gaz?	OUI	NON
Pression de conduite de gaz : (pouce d'eau)		
Altitude de l'installation : (pieds)		
Pourcentage de déclassement : (%)		
Débit calorifique du générateur d'air chaud : (BTU/h)		
Température de l'air d'alimentation : (°F)		
Température de l'air de reprise : (°F)		
Hausse de température : (°F)		

AIR DE COMBUSTION ET SYSTÈME D'ÉVACUATION		
L'alimentation en air frais est-elle adéquate pour la combustion et la ventilation?	OUI	NON
L'évent est-il exempt d'obstruction?	OUI	NON
Le ou les filtres sont-ils bien fixés en place?	OUI	NON
Le ou les filtres sont-ils propres?	OUI	NON
Les raccordements de conduit sont-ils serrés?	OUI	NON
Le tirage est-il approprié?	OUI	NON



HIRAI

✓ MEMBER COMPANY



INSTALLATION CHECK LIST

INSTALLER NAME:		
CITY:	STATE:	
INSTALLATION ADDRESS:		
CITY:	STATE:	
UNIT MODEL #		
UNIT SERIAL #		
Minimum clearances as shown in Figure 1 (page 6)?	YES	NO
Has the owner's information been reviewed with the home-owner?	YES	NO
Has the literature package been left near the furnace?	YES	NO

PROPOSITION 65 WARNING:
WARNING: This product contains chemicals known to the state of California to cause cancer.
WARNING: This product contains chemicals known to the state of California to cause birth defects or other reproductive harm.

ATTENTION INSTALLERS:

It is your responsibility to know this product better than your customer. This includes being able to install the product according to strict safety guidelines and instructing the customer on how to operate and maintain the equipment for the life of the product. Safety should always be the deciding factor when installing this product and using common sense plays an important role as well. Pay attention to all safety warnings and any other special notes highlighted in the manual. Improper installation of the furnace or failure to follow safety warnings could result in serious injury, death, or property damage.

These instructions are primarily intended to assist qualified individuals experienced in the proper installation of this appliance. Some local codes require licensed installation/service personnel for this type of equipment. Please read all instructions carefully before starting the installation. Return these instructions to the customer's package for future reference.

ELECTRICAL SYSTEM		
Electrical connections tight?	YES	NO
Line voltage polarity correct?	YES	NO
Supply Voltage: VOLTS		
Has the thermostat been calibrated?	YES	NO
Is the thermostat level?	YES	NO
Is the heat anticipator setting correct?	YES	NO

GAS SYSTEM		
Gas Type: (circle one)	Natural Gas	Propane
Gas pipe connections leak tested?	YES	NO
Gas Line Pressure: (in - W.C.)		
Installation Altitude: (FT.)		
Deration Percentage: (%)		
Furnace Input: (Btuh)		
Supply Air Temperature: (° F)		
Return Air Temperature: (° F)		
Temperature Rise: (° F)		

COMBUSTION AIR & VENTING SYSTEM		
Is there adequate fresh air supply for combustion and ventilation?	YES	NO
Vent free from restrictions?	YES	NO
Filter(s) secured in place?	YES	NO
Filter(s) clean?	YES	NO
Flue connections tight?	YES	NO
Is there proper draft?	YES	NO



HRAI

✓ MEMBER COMPANY

