

QUICK REFERENCE DATA

T7BE Series - Residential Split System Heat Pump with Tube & Fin

| MODEL NUMBER: *T7BE | | | 018K | 024K | 030K | 036K | 042K | 048K |
|--|------------------------|-----------|--------------------|------|------|------|------|------|
| ELECTRICAL DATA | Volts-Cycles-Phase (1) | | 208 / 230 - 60 - 1 | | | | | |
| | Total Amps | | 10.2 | 14.6 | 15.3 | 17.8 | 19.4 | 23.2 |
| | Delay Fuse Max. (2) | | 20 | 30 | 30 | 35 | 40 | 50 |
| | Min. Circuit Ampacity | | 12.4 | 18.0 | 18.8 | 22.0 | 23.9 | 28.7 |
| CONDENSER DATA | Coil | Area | 17.7 | 20.3 | 22.8 | 25.3 | 22.8 | 25.3 |
| | | Rows-FPI | 1-18 | 1-18 | 1-20 | 1-20 | 2-16 | 2-16 |
| | | Tube Dia | 3/8" O.D. | | | | | |
| | Fan Motor | Type | PSC | | | | | |
| | | Amps | 1.2 | 1.2 | 1.2 | 1.2 | 1.46 | 1.46 |
| | | HP | 0.2 | 0.2 | 0.2 | 0.2 | 0.25 | 0.25 |
| | Compressor Data | RLA | 9 | 13.4 | 14.1 | 16.6 | 17.9 | 21.8 |
| LRA | | 48 | 58.3 | 73 | 79 | 112 | 117 | |
| REFRIGERANT SUCTION LINE O.D | | 0-24 ft. | 3/4" | 3/4" | 3/4" | 7/8" | 7/8" | 7/8" |
| NOTE: Liquid line is 3/8" O.D. for entire length. | | 25-39 ft. | 3/4" | 3/4" | 3/4" | 7/8" | 7/8" | 7/8" |
| | | 40-75 ft. | 3/4" | 3/4" | 3/4" | 7/8" | 7/8" | 7/8" |
| REFRIGERANT CHARGE | | | 168 | 180 | 163 | 166 | 274 | 298 |
| R-410A in ounces for outdoor unit & 15' lineset. (4) | | | | | | | | |
| APPROXIMATE WEIGHT (LBS.) | Net | | 166 | 171 | 176 | 181 | 247 | 280 |
| | Ship | | 175 | 180 | 185 | 190 | 260 | 295 |

- (1) Operating Voltage Range: 187v min. — 253v max.
- (2) HACR Type Circuit Breakers may be used.
- (3) Requires 7/8" to 1-1/8" adapter from unit to line.
- (4) Additional charge for line sets above 15 feet. Values based on suction line as follows with 3/8" liquid line.
 - (a) 3/4" = 0.6 oz. per additional foot.
 - (b) 7/8" = 0.7 oz. per additional foot.
 - (c) 1 1/8" = 0.8 oz. per additional foot.

Table 1. Electrical Specifications & Physical Data

| THERMOSTAT WIRE GAUGE | RECOMMENDED T-STAT WIRE UNIT TO T-STAT (LENGTH IN FT) | |
|-----------------------|---|--------------------------|
| | 2-WIRE (HEATING) | 5-WIRE (HEATING/COOLING) |
| 24 | 55 | 25 |
| 22 | 90 | 45 |
| 20 | 140 | 70 |
| 18 | 225 | 110 |

Table 2. Thermostat Wire Gauge

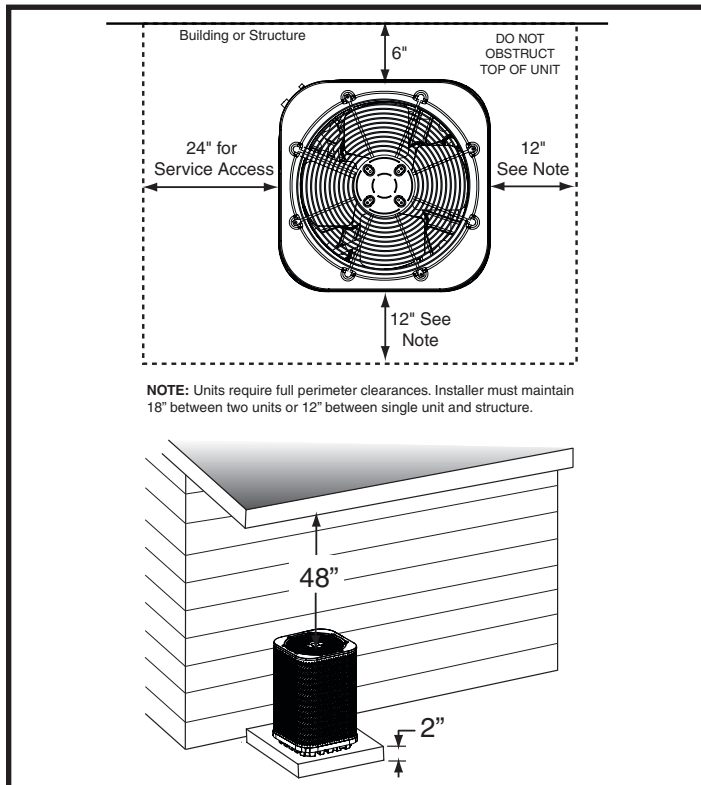
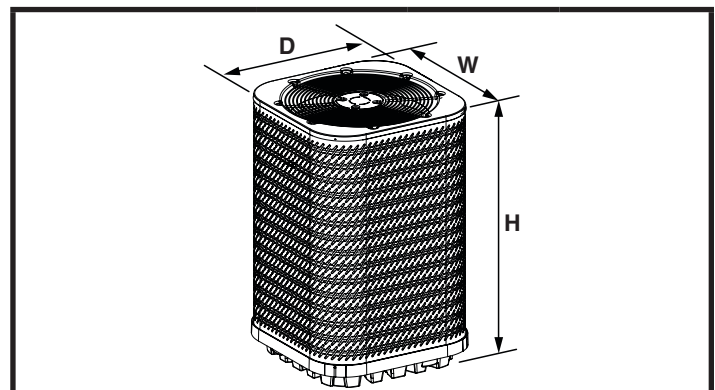


Figure 1. Clearance Requirements



| MODEL NUMBER | HEIGHT (H) | WIDTH (W) | DEPTH (D) |
|--------------|------------|-----------|-----------|
| T7BE-018K | 31 1/2" | 30 3/4" | 30 3/4" |
| T7BE-024K | 35 1/2" | 30 3/4" | 30 3/4" |
| T7BE-030K | 39 1/2" | 30 3/4" | 30 3/4" |
| T7BE-036K | 43 1/2" | 30 3/4" | 30 3/4" |
| T7BE-042K | 39 1/2" | 30 3/4" | 30 3/4" |
| T7BE-048K | 43 1/2" | 30 3/4" | 30 3/4" |

Table 3. Unit Dimensions

Instructions:

1. Find the column for the model of outdoor unit that is being installed.
2. Find the row for the model of the indoor unit that is being installed.
3. Find the cell in the table in which this row and column meet. In this cell the appropriate orifice / TXV and charge addition for this match are listed. If the text in this cell is BOLD, then a change of orifice is necessary.
4. If a change in restrictor is necessary, then the appropriate restrictor will already be supplied with the outdoor unit.

Examples:

- For the *T7BE-018K / B6VMAX24K-B match, the appropriate TXV is the 669564 and no additional charge will need to be added. (NO CHANGES NECESSARY)
- For the *T7BE-036K / B6VMAX36K-B match, the appropriate TXV is the 669566 and no additional charge will need to be added. (NO CHANGES NECESSARY)

| MODEL NUMBER: T7BE | | 018K | 024K | 030K | 036K | 042K | 048K |
|--------------------------------------|------------------|--|---------------------|---------------------|----------------------|----------------------|----------------------|
| ID RESTRICTOR SUPPLIED WITH OD UNIT: | | 0.039 | 0.041 | 0.048 | 0.051 | 0.055 | 0.058 |
| OUTDOOR UNIT BOM CHARGE (OZ.) | | 166 | 180 | 163 | 166 | 274 | 298 |
| MODELS | SUPPLIED WITH ID | REQUIRED RESTRICTOR OR TXV / CHARGE ADDITION (OZ) / RATED AIRFLOW (SCFM) | | | | | |
| B6VM | | | | | | | |
| B6VMAX24K-B | 669564 | 669564 (0 / 605) | 669564 (0 / 885) | -- | -- | -- | -- |
| B6VMAX30K-B | 669565 | -- | -- | 669565 (0 / 900) | -- | -- | -- |
| B6VMAX36K-B | 669566 | -- | -- | -- | 669566 (0 / 1180) | -- | -- |
| B6VMAX48K-C | 669568 | -- | -- | -- | -- | 669568 (0 / 1490) | 669568 (0 / 1505) |
| B6VMAX60K-C | 669578 | -- | -- | -- | -- | -- | -- |

NOTES:

- The charges listed are only valid for the standard 15' lineset.
- Numbers listed as 0.*** are restrictor diameters, while numbers listed as 669*** are TXV part numbers.
- Gray cells require the outdoor restrictor to be changed as well. See Table 5.

Table 4. Restrictor or TXV / Charge Addition (Oz)

