

QUICK REFERENCE DATA

*SA1BE4M1 SERIES SPLIT SYSTEM AIR CONDITIONER FOR MANUFACTURED HOUSING

14 SEER

MODEL NUMBER: *SA1BE4M1SN			18K	24K	30K	36K	42K	48K	60K	
ELECTRICAL DATA	Volts-Cycles-Phase (1)		208/230-60-1							
	Total Amps		9.9	14.4	15.0	15.1	19.4	21.3	29.0	
	Delay Fuse Max. (2)		20	30	30	30	40	45	60	
	Min. Circuit Ampacity		12.1	17.7	18.5	18.6	23.9	26.3	35.6	
CONDENSER DATA	Coil	Area	10.0	11.7	15.2	20.3	22.8	22.8	25.4	
		Rows-FPI	1-23	1-23	1-18	1-18	1-18	1-18	1-23	
		Tube Dia	MC							
	Fan Motor	Type	PSC							BLDC
		Amps	0.9	0.9	0.9	1.0	1.5	1.5	2.6	
		HP	0.13	0.13	0.13	0.20	0.25	0.25	0.33	
	Compressor Data	RLA	9.0	13.4	14.1	14.1	17.9	19.8	26.4	
LRA		48.0	58.3	73.0	77.0	112.0	109.0	134.0		
RECOMMENDED REFRIGERANT SUCTION LINE O.D.* NOTE: Liquid line is 3/8" O.D. for entire length.			0-24 ft.	3/4"	3/4"	3/4"	3/4"	7/8"	7/8"	7/8"
			25-39 ft.	3/4"	3/4"	3/4"	7/8" (3)	7/8"	7/8"	1-1/8" (4)
			40-75 ft.	3/4"	3/4"	3/4"	7/8" (3)	7/8"	7/8"	1-1/8" (4)
REFRIGERANT CHARGE: R-410A in ounces for outdoor unit, indoor unit and 20' line set. (5)			60	61	69	72	102	100	109	
APPROXIMATE WEIGHT (LBS.)			Net	123	128	148	165	197	197	213
			Ship	137	143	169	188	222	221	238

- (1) Operating Voltage Range: 187v min. — 253v max.
- (2) HACR Type Circuit Breakers may be used.
- (3) Requires 7/8" to 3/4" reducer from line to unit.
- (4) Requires 7/8" to 1-1/8" reducer from line to unit.
- (5) Additional charge for line sets above 20 feet. Values based on suction line as follows with 3/8" liquid line.
 - (a) 3/4" = 0.6 oz. per additional foot.
 - (b) 7/8" = 0.7 oz. per additional foot.
 - (c) 1 1/8" = 0.8 oz. per additional foot.
- * For other line set dimensions, refer to the Application Guidelines for Refrigerant Lines Addendum.

WIRE GAUGE	RECOMMENDED MAXIMUM WIRE LENGTH (FT) FROM UNIT TO THERMOSTAT
22	45
20	70
18	115
16	180

Table 1. Electrical Specifications & Physical Data

Table 2. Control Wiring (24V)

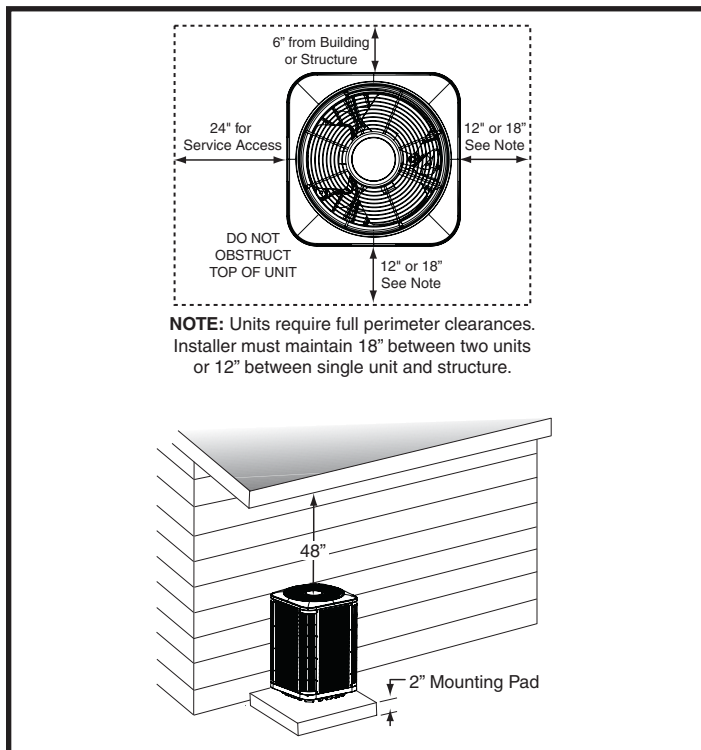


Figure 1. Clearance Requirements

Model *SA1BE4M1 Shown

MODEL NUMBER	HEIGHT (H)	WIDTH (W)	DEPTH (D)
*SA1BE4M1SN18K	28 1/2"	23 3/4"	23 3/4"
*SA1BE4M1SN24K	32 1/2"	23 3/4"	23 3/4"
*SA1BE4M1SN30K	29 1/4"	31 3/4"	31 3/4"
*SA1BE4M1SN36K	37 1/4"	31 3/4"	31 3/4"
*SA1BE4M1SN42K	41 1/4"	31 3/4"	31 3/4"
*SA1BE4M1SN48K	41 1/4"	31 3/4"	31 3/4"
*SA1BE4M1SN60K	45 1/4"	31 3/4"	31 3/4"

Table 3. Unit Dimensions

Instructions:

1. Find the column for the model of outdoor unit that is being installed.
2. Find the row for the model of the indoor unit that is being installed.
3. Find the cell in the table in which this row and column meet. In this cell the appropriate orifice / TXV and charge addition for this match are listed. If the text in this cell is **BOLD**, then a change of orifice is necessary.
4. If a change in restrictor is necessary, then the appropriate restrictor will already be supplied with the outdoor unit.

Examples:

- For the *SA1BE4M1SN18K / C8(B,D)AMX24U-B match the appropriate TXV is the 669564 and no additional charge needs to be added. (NO CHANGES ARE NECESSARY)
- For the *SA1BE4M1SN36K / C8(B,D)A036U-B+TXV match the appropriate TXV kit is the 920670A and no additional charge needs to be added. (TXV KIT REQUIRED)

MODEL NUMBER: *SA1BE4M1SN		18K	24K	30K	36K	42K	48K	60K
OUTDOOR UNIT BOM CHARGE (OZ.)		60	61	69	72	102	100	109
MODELS	SUPPLIED WITH ID	REQUIRED RESTRICTOR OR TXV (CHARGE ADDITION (OZ) / RATED AIRFLOW - SCFM)						
C7-X								
C7B(A,H)MX24(C,U)-B	669681	669681 (0 / 675)	669681 (0 / 845)	--	--	--	--	--
C7B(A,H)MX30(C,U)-B	669682	--	--	669682 (0 / 945)	--	--	--	--
C7B(A,H)MX36(C,U)-B	669683	--	--	--	669683 (5 / 1110)	--	--	--
C7B(A,H)MX36(C,U)-C	669683	--	--	--	669683 (5 / 1110)	--	--	--
C7B(A,H)MX42(C,U)-C	669684	--	--	--	--	669684 (-12 / 1305) ‡	--	--
C7B(A,H)MX48(C,U)-C	669852	--	--	--	--	--	669852 (5 / 1525)	--
C7B(A,H)MX60(C,U)-C	669686	--	--	--	--	--	--	669686 (-10 / 1540) ‡
C8-X								
C8(B,D)AMX24U-B	669564	669564 (0 / 675)	669564 (0 / 700)	--	--	--	--	--
C8(B,D)AMX30U-B	669565	--	--	669565 (0 / 960)	--	--	--	--
C8(B,D)AMX36U-B	669566	--	--	--	669566 (0 / 1200)	--	--	--
C8+TXV								
C8(B,D)AM01830U-B+TXV	0.061	920668A (0 / 675)	920668A (0 / 700)	920669A (0 / 960)	--	--	--	--
C8(B,D)AM036U-B+TXV	0.067	--	--	--	920670A (0 / 1200)	--	--	--
CM4B								
CM4B-G42U	TXV	--	--	--	--	TXV (0 / 1400)	--	--
CM4B-R42U	TXV	--	--	--	--	TXV (0 / 1400)	--	--
CM4B-G48U	TXV	--	--	--	--	--	TXV (0 / 1430)	--
CM4B-L48U	TXV	--	--	--	--	--	TXV (4 / 1430)	--
CM4B-W60U	TXV	--	--	--	--	--	--	TXV (14 / 1490)
CM4B-L60U	TXV	--	--	--	--	--	--	TXV (0 / 1535)

NOTES:

- The charges listed are only valid for the standard 20' lineset.
- Part numbers beginning with 669***are TXV part numbers and numbers listed as 0.*** are restrictor diameters.
- ‡ Requires REMOVAL of refrigerant from unit.

Table 4. REQUIRED RESTRICTOR OR TXV (CHARGE ADDITION (OZ) / RATED AIRFLOW -SCFM)

THE CHARGE ADDITIONS PROVIDED IN THIS DOCUMENT ARE ESTIMATES BASED ON TEST DATA AND SHOULD ONLY BE A STARTING POINT. AFTER FOLLOWING THESE DIRECTIONS PLEASE ADJUST THE REFRIGERANT AMOUNT BASED ON THE APPROPRIATE CHARGING TABLES OR CHARTS IN THE INSTALLATION INSTRUCTIONS OR CHARGING LABEL.

