

# WIRING DIAGRAM

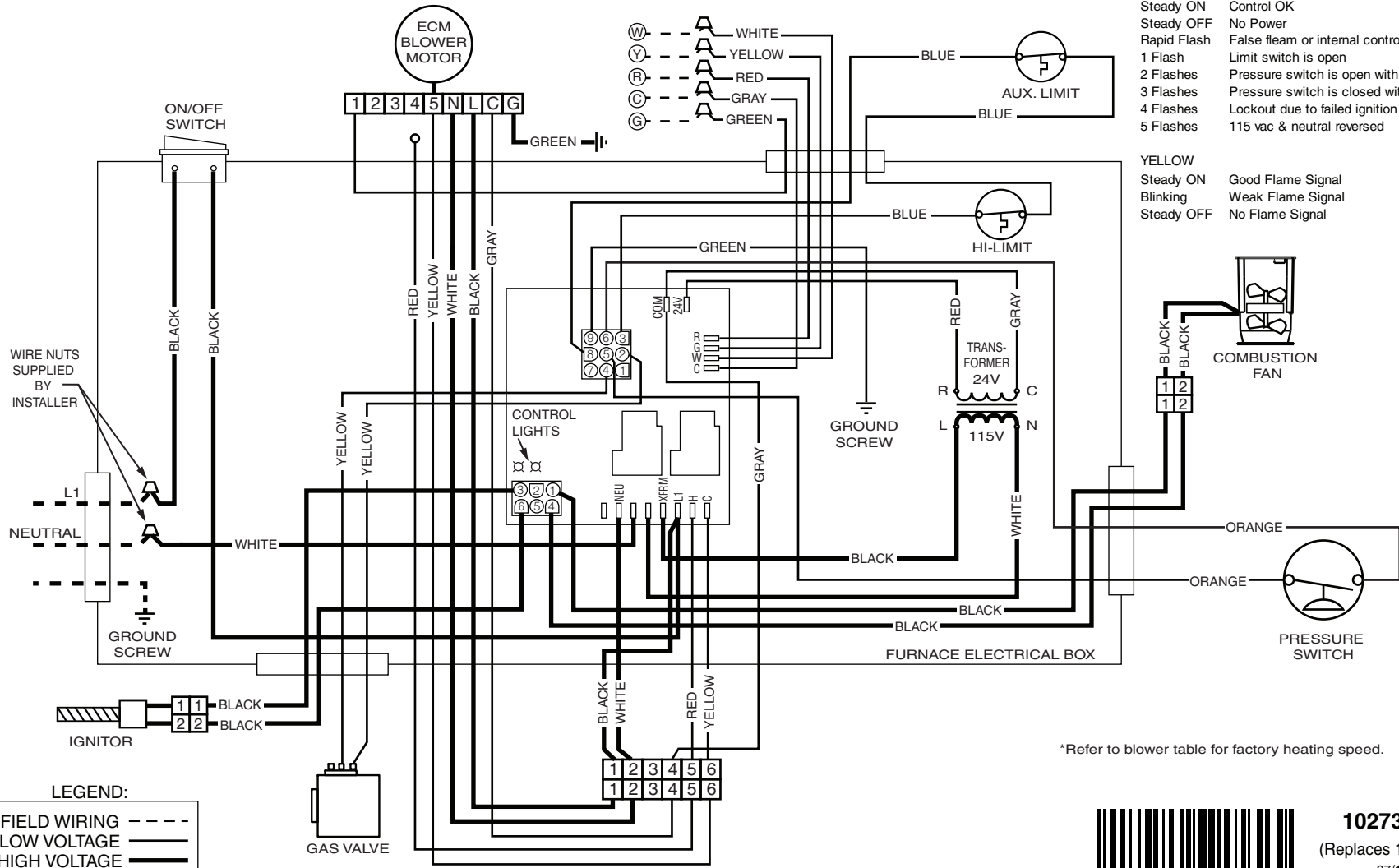
## Gas Direct Ignition Furnace, Heating & A/C Ready, MG1E All Models.

### NOTES:

- Incoming power must be polarized. Observe color coding. (See furnace data label for electrical information.)
- If any of the original wires (as supplied with the appliance) must be replaced, use 105°C Thermoplastic type wire or its equivalent.
- A wire from "Y" on the thermostat to the furnace is required.

### CONTROL LIGHT STATUS

RED	
Steady ON	Control OK
Steady OFF	No Power
Rapid Flash	False flame or internal control fault
1 Flash	Limit switch is open
2 Flashes	Pressure switch is open with inducer on
3 Flashes	Pressure switch is closed with inducer off
4 Flashes	Lockout due to failed ignition
5 Flashes	115 vac & neutral reversed
YELLOW	
Steady ON	Good Flame Signal
Blinking	Weak Flame Signal
Steady OFF	No Flame Signal



\*Refer to blower table for factory heating speed.



**1027325A**  
(Replaces 10273250)  
07/19