

WIRING DIAGRAM

CMF3 Furnace Series

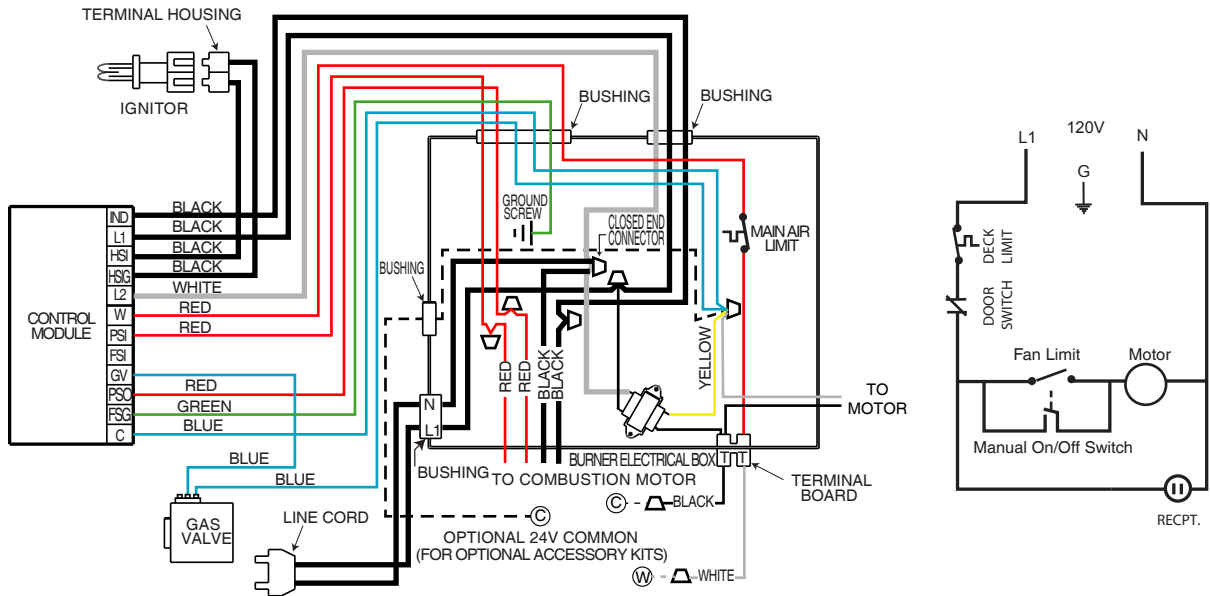
120 Volt

Single Phase / 60 Hz

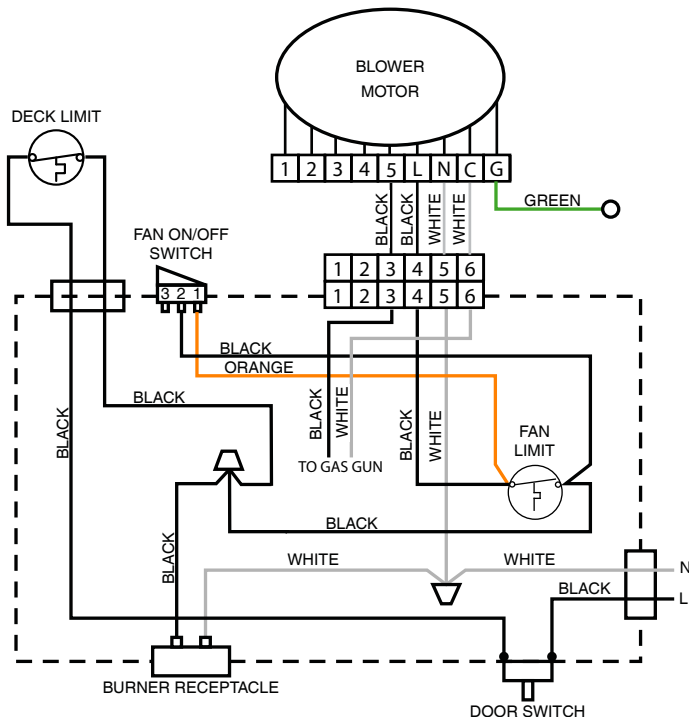
NOTES:

1. Incoming power must be polarized. Observe color coding. (See furnace data label for electrical information.)
2. If any of the original wires (as supplied with the appliance) must be replaced, use 105°C Thermoplastic type wire or its equivalent.
3. Use copper conductors only.

Model PGB-DI Power Gas Burner "Direct Ignition"



CMF3 Furnace



Blower Speed Setting Shown is the High Speed (see table)

BLOWER TAP	BLOWER SPEED
1,2	Low
3	Med.
4,5	High

LEGEND:

- FIELD WIRING - - - - -
- LOW VOLTAGE ————
- HIGH VOLTAGE ————



1028619C
(Replaces 1028619B)

10/21