

# WIRING DIAGRAM

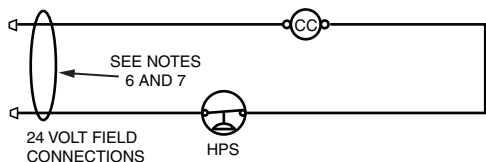
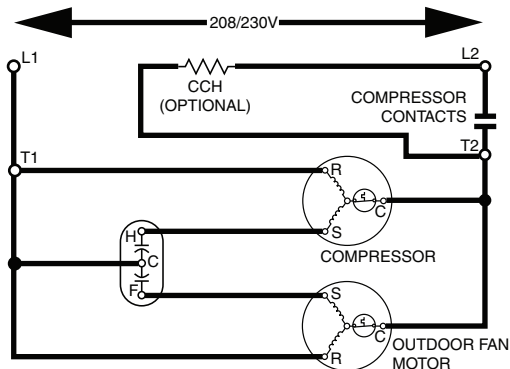
## Split System Air Conditioner (Outdoor Section)

## Single Phase

### NOTES:

1. Disconnect all power before servicing.
2. For supply connections use copper conductors only.
3. Not suitable on systems that exceed 150 volts to ground.
4. For replacement wires use conductors suitable for 105 deg C.
5. For ampacities and overcurrent protection, see unit rating plate.
6. Connect to 24 VAC/40VA/class 2 circuit. See furnace/airhandler installation instructions for control circuit and optional relay/transformer kits.
7. Caution: The Low Voltage wiring shall not be grounded to this unit.

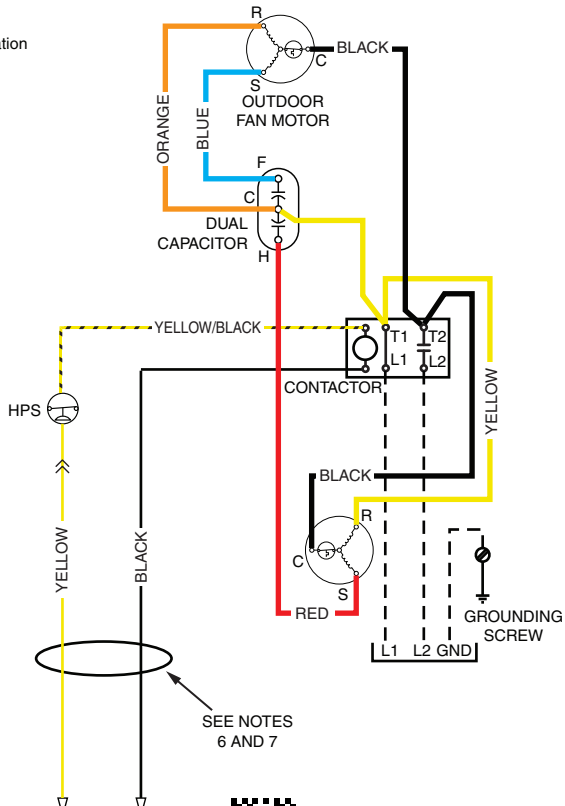
1. Couper le courant avant de faire leretien.
2. Employez uniquement des conducteurs en cuivre.
3. Ne convient pas aux installations de plus de 150 volt a la terre.



### LEGEND:

FIELD WIRING	---
LOW VOLTAGE	—
HIGH VOLTAGE	—

CC - Contactor Coil  
 CCH - Crankcase Heater  
 HPS - High Pressure Switch



**10398270**  
 (Replaces 710388D)