

WIRING DIAGRAM

Two Stage Split System Air Conditioner (Outdoor Section) With ECM Outdoor Motor

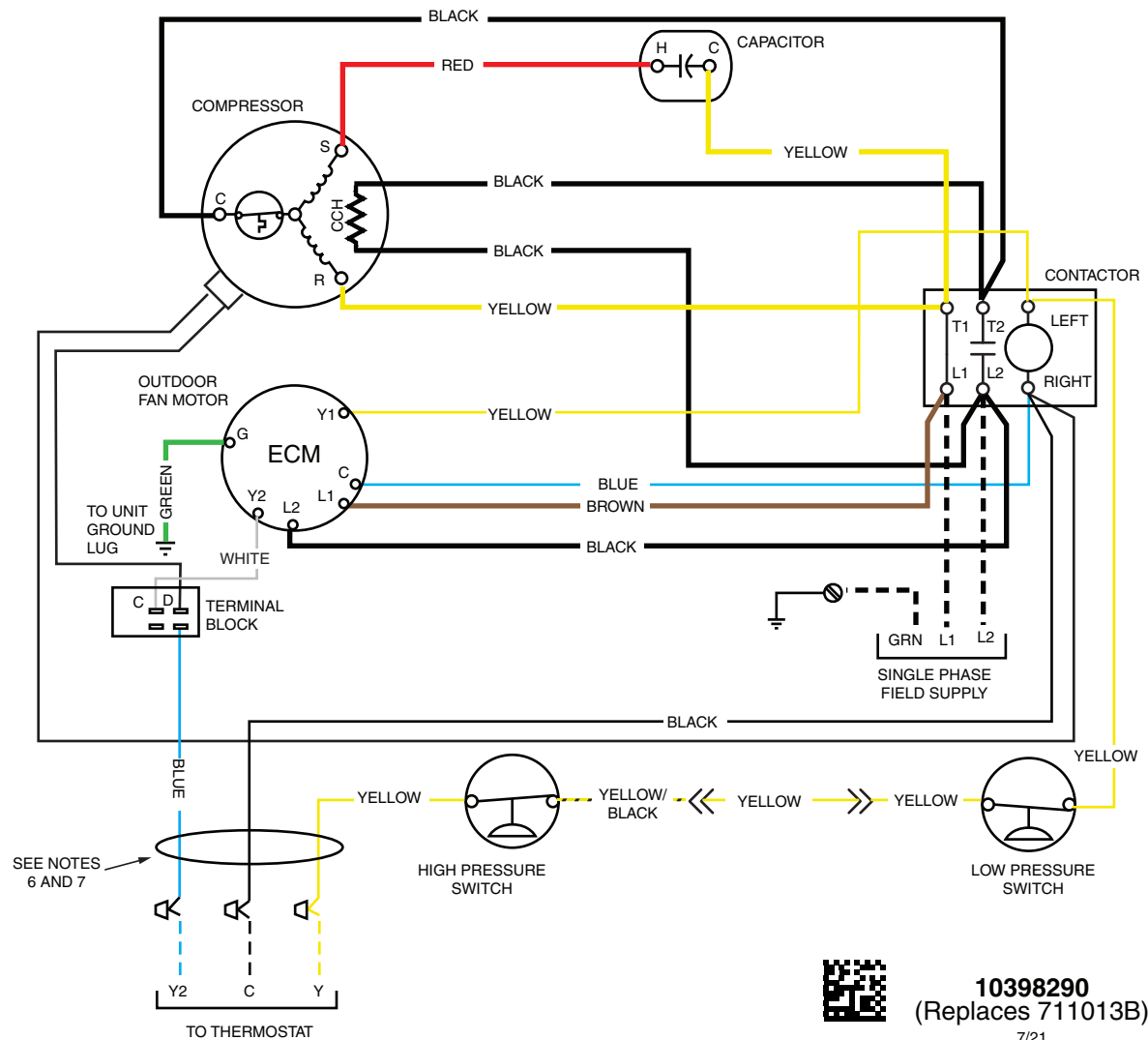
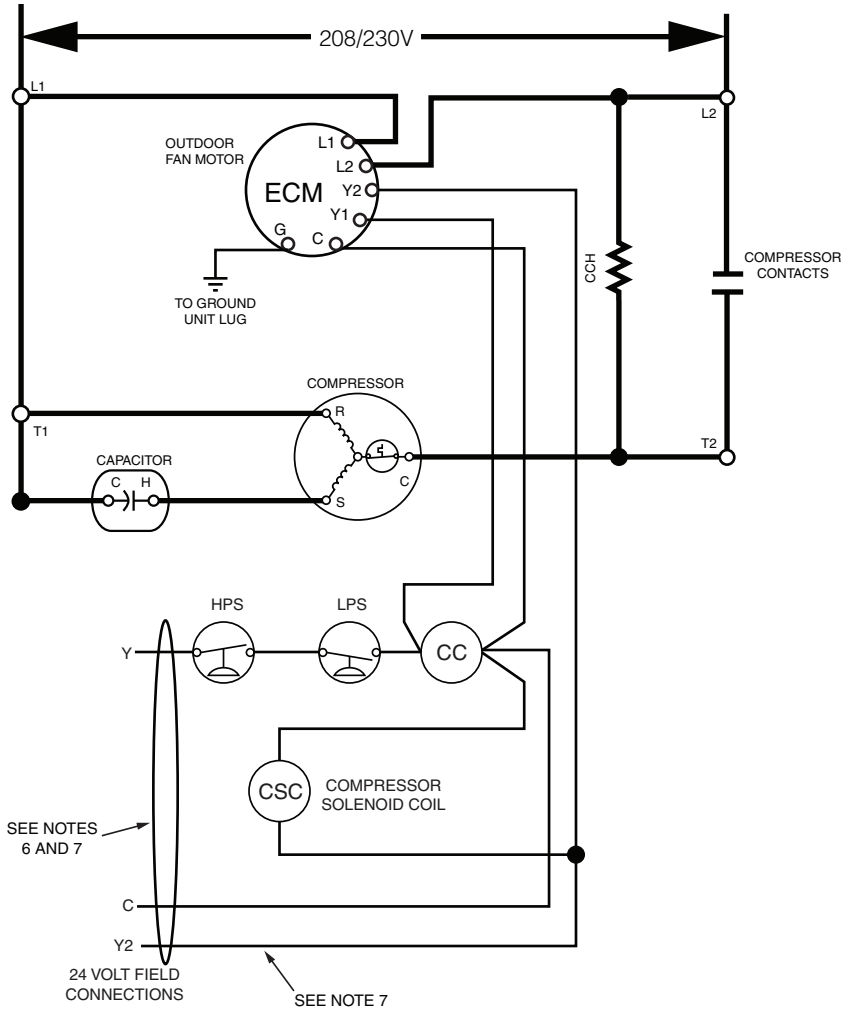
208/230V

Single Phase / 60 Hz.

NOTES:

1. Disconnect all power before servicing.
2. For supply connections use copper conductors only.
3. Not suitable on systems that exceed 150 volts to ground.
4. For replacement wires use conductors suitable for 105 °C
5. For ampacities and overcurrent protection, see unit rating plate.
6. Connect to 24 vac/40va/class 2 circuit. See furnace/airhandler installation instructions for control circuit and optional relay/transformer kits.
7. Caution: The Low Voltage wiring shall NOT be grounded to this unit.

1. Couper le courant avant de faire letretien.
2. Employez uniquement des conducteurs en cuivre.
3. Ne convient pas aux installations de plus de 150 volt a la terre.



LEGEND:

FIELD WIRING - - - - -
 LOW VOLTAGE ————
 HIGH VOLTAGE ————

CC - CONTACTOR COIL
 CCH - CRANKCASE HEATER
 LPS - LOW PRESSURE SWITCH
 HPS - HIGH PRESSURE SWITCH
 CSC - COMPRESSOR SOLENOID COIL



10398290
 (Replaces 711013B)