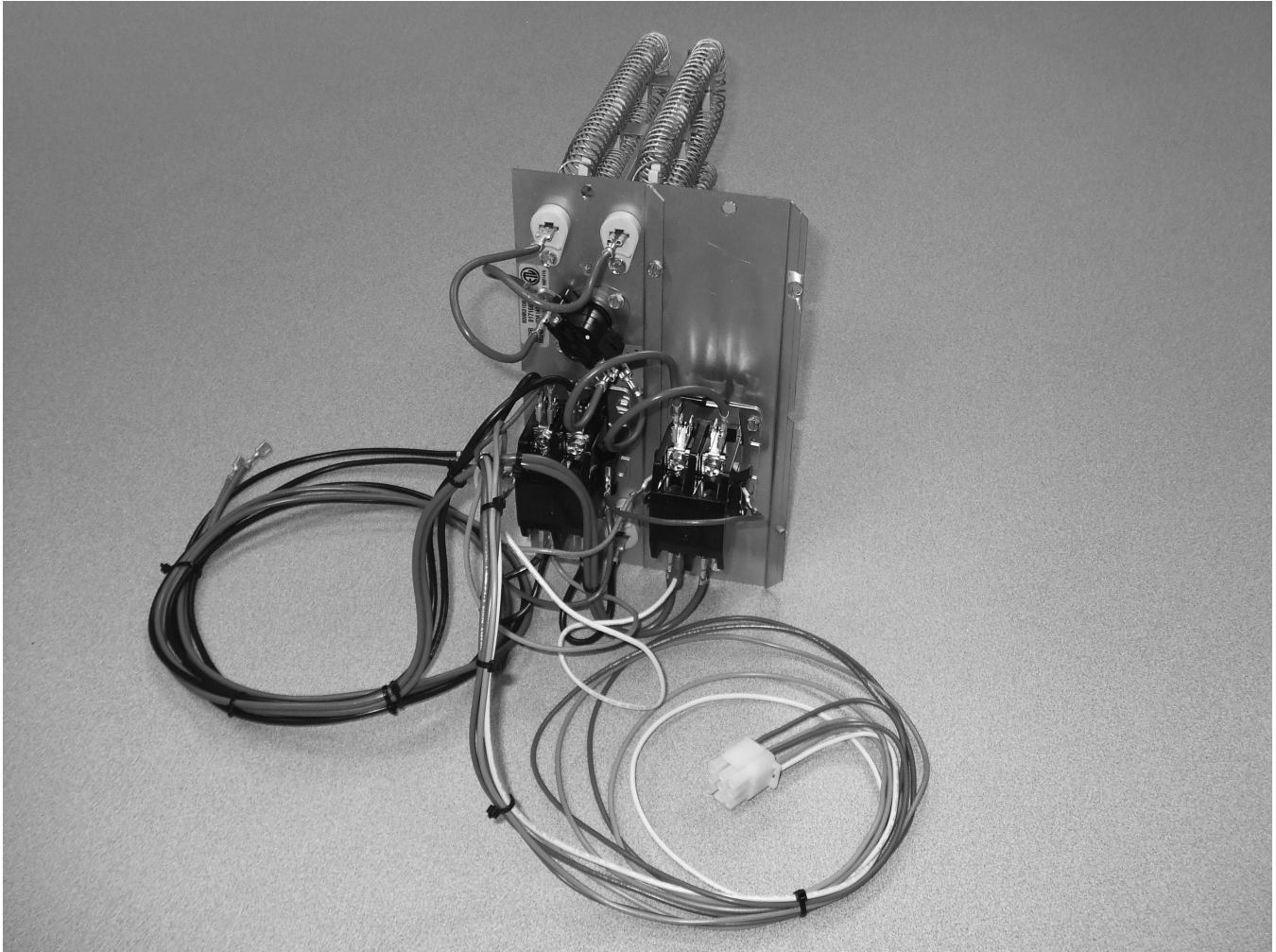


H3HK SERIES

INSTALLATION INSTRUCTIONS

PACKAGE ELECTRIC HEATER KITS

Installation of H3HK Heater Kits (208/240V & 460V) in Packaged Air Conditioners & Packaged Heat Pumps.



IMPORTANT

ATTENTION INSTALLERS:

These instructions are primarily intended to assist qualified individuals experienced in the proper installation of this appliance. Some local codes require licensed installation/service personnel for this type equipment. All installations must be in accordance with these instructions and with all applicable national and local codes and standards.

Read these instructions thoroughly before starting the installation. Return these instructions to the customer's package for future reference.

DO NOT DESTROY. PLEASE READ CAREFULLY & KEEP IN A SAFE PLACE FOR FUTURE REFERENCE.

TABLE OF CONTENTS

IMPORTANT SAFETY INFORMATION	3
GENERAL INFORMATION.....	3
Clearances to Combustibles	3
ELECTRICAL SUPPLY.....	3
Circuit Options.....	3
Circuit Breakers	3
Breaker Attachment.....	4
Attaching to Bracket.....	4
Breaker Removal	4
Single Circuit Kit	4
Terminal Blocks.....	4
ELEMENT INSTALLATION	4
Pre-Installation.....	4
Element Power Wiring.....	4
Horizontal Supply & Return	4
Vertical Supply & Return.....	4
Vertical Installation of 8 & 10 kW Heater Kits	4
Installation of 15 & 20 kW Heater Kits	5
Staged Heat.....	5
AIRFLOW	5
EQUIPMENT COMPONENTS.....	6
HEATER KIT CROSS REFERENCE TABLES	7
Table 3. (*)P7RE / PPA3RE, Single Phase	7
Table 4. (*)P7RF / PPA3RF, Single Phase	8
Table 5. (*)P8SE / PPA3SE, Single Phase & 3-Phase...8	8
Table 6. (*)Q6SE / PPH2SE, Single Phase & 3-Phase...9	9
Table 7. (*)Q7RE / PPH3RE, Single Phase	10
Table 8. (*)Q7RF / PPH3RF, Single Phase	10
Table 9. (*)Q8SF / PPH3SF, Single Phase	11
Table 10. (*)P94RD, Single Phase	12
Table 11. (*)Q94RD, Single Phase	13
Table 12. (*)Q104SD, Single Phase	14
ELECTRICAL DATA	15
Table 13. (*)P7RE / PPA3RE, Single Phase.....	15
Table 14. (*)P7RF / PPA3RF, Single Phase	16
Table 15. (*)P8SE / PPA3SE, Single Phase.....	17
Table 16. (*)P8SE / PPA3SE, 3-Phase	17
Table 17. (*)Q6SE / PPH2SE, Single Phase	18
Table 18. (*)Q6SE / PPH2SE, 3-Phase	18
Table 19. (*)Q7RE / PPH3RE, Single Phase.....	20
Table 20. (*)Q7RF / PPH3RF, Single Phase	20
Table 21. (*)Q8SF / PPH3SF, Single Phase.....	21
Table 22. (*)P94RD, Single Phase.....	22
Table 23. (*)Q94RD, Single Phase	23
Table 24. (*)Q104SD, Single Phase	24
AIRFLOW DATA	25
Table 25. (*)P7RE / PPA3RE, Single Phase	25
Table 26. (*)P7RF / PPA3RF, Single Phase	26
Table 27. (*)P8SE / PPA3SE, Single Phase	26
Table 28. (*)P8SE / PPA3SE, 3-Phase	27
Table 29. (*)Q6SE Single Phase.....	28
Table 30. (*)Q7RE / PPH3RE, Single Phase.....	29
Table 31. (*)Q7RF / PPH3RF, Single Phase.....	30
Table 32. (*)Q8SF / PPH3SF, Single Phase	31
Table 33. (*)Q94RD, Single Phase	32
Table 34. (*)Q104SD, Single Phase.....	33
WIRING DIAGRAMS	34
Figure 4. Single Phase, 5 kW, 1 Circuit	34
Figure 5. Single Phase, 5 kW, 2 Circuit	35
Figure 6. Single Phase, 8 kW & 10 kW, 1 Circuit	36
Figure 7. Single Phase, 8 kW & 10 kW, 2 Circuit	37
Figure 8. Single Phase, 15 kW, 2 Circuit, HP	38
Figure 9. Single Phase, 15 kW, 3 Circuit.....	39
Figure 10. Single Phase, 20 kW, 2 Circuit	40
Figure 11. Single Phase, 20 kW, 3 Circuit.....	41
Figure 12. Three Phase, 9 kW & 15 kW, 1 Circuit.....	42
Figure 13. Three Phase, 9 kW & 15 kW, 2 Circuit.....	43
Figure 14. Three Phase, 480V, 9 & 15 kW, 1 Circuit.....	44

IMPORTANT SAFETY INFORMATION

INSTALLER: Please read all instructions before servicing this equipment. Pay attention to all safety warnings and any other special NOTES highlighted in the manual. Safety markings are used frequently throughout this manual to designate a degree or level of seriousness and should not be ignored. WARNING indicates a potentially hazardous situation that if not avoided, could result in personal injury or death. CAUTION indicates a potentially hazardous situation that if not avoided, may result in minor or moderate injury or property damage.

WARNING:

ELECTRICAL SHOCK, FIRE OR EXPLOSION HAZARD

Failure to follow safety warnings exactly could result in serious injury, death or property damage.

Improper servicing could result in dangerous operation, serious injury, death or property damage.

- **Before servicing, disconnect all electrical power to the unit.**
- **When servicing controls, label all wires prior to disconnecting. Reconnect wires correctly.**
- **Verify proper operation after servicing.**

WARNING:

Unless noted otherwise in these instructions, only factory authorized parts or accessory kits may be used with this product. Improper installation, service, adjustment, or maintenance may cause explosion, fire, electrical shock or other hazardous conditions which may result in personal injury or property damage

- Use caution when removing components or handling this product. Personal injury can occur from sharp metal edges present in all sheet metal constructed equipment.

GENERAL INFORMATION

H3HK heater kits are approved for use in packaged air conditioners and packaged heat pumps when applied and installed according to these instructions. See [Table 3 \(page 7\)](#), [Table 4](#) and [Table 5 \(page 8\)](#), [Table 6 \(page 9\)](#), [Table 7](#) and [Table 8 \(page 10\)](#), [Table 9 \(page 11\)](#), [Table 10 \(page 12\)](#), [Table 11 \(page 13\)](#) and [Table 12 \(page 14\)](#) for approved H3HK air conditioner and heat pump applications. Refer to the National Electric Code (ANSI/NFPA 70) or in Canada the Canadian Electric Code Part 1 (CSA C.22.1) and applicable local codes for overcurrent protection and disconnect requirements.

Clearances to Combustibles

All units are approved for zero clearance to combustibles when installed according to these instructions and other instructions included with the unit and other approved accessories. See [Table 1, \(page 4\)](#).

ELECTRICAL SUPPLY

- If the unit was previously installed without electric heat, the existing supply wiring may not be sufficient to handle the increased load. See the unit rating label or [Table 12 \(page 14\)](#), [Table 13 \(page 15\)](#), [Table 14 \(page 16\)](#), [Table 15](#) and [Table 16 \(page 17\)](#), [Table 17 \(page 18\)](#), [Table 18 \(page 19\)](#), [Table 19](#) and [Table 20 \(page 20\)](#), [Table 21 \(page 21\)](#), [Table 22 \(page 22\)](#), [Table 23 \(page 23\)](#) and [Table 24 \(page 24\)](#) for minimum circuit ampacities and maximum overcurrent protection ratings.
- Units with installed electric heat may be supplied by a single circuit or by multiple circuits. Additional accessory kits may be required if single circuit installation and/or circuit breakers are desired. See [Figure 1](#) for kit identification and [Table 1](#) for part numbers and accessory descriptions.

Circuit Options

The units with electric heat may be wired for single or multiple circuits and may have circuit breakers or terminal blocks. **NOTE:** Circuit breakers installed in the unit are for short-circuit protection of the internal wiring and to serve as a unit disconnect. The circuit breakers DO NOT provide overcurrent protection of the supply wiring.

- Overcurrent protection must be provided at the branch circuit distribution panel even if circuit breakers are not used in the units. It must be sized as shown in [Table 12 \(page 14\)](#), [Table 13 \(page 15\)](#), [Table 14 \(page 16\)](#), [Table 15](#) and [Table 16 \(page 17\)](#), [Table 17 \(page 18\)](#), [Table 18 \(page 19\)](#), [Table 19](#) and [Table 20 \(page 20\)](#), [Table 21 \(page 21\)](#), [Table 22 \(page 22\)](#), [Table 23 \(page 23\)](#) and [Table 24 \(page 24\)](#) or on the unit rating label and according to the National Electric Code, Canadian Electrical Code and applicable local codes. **NOTE:** In most cases the overcurrent protection specified on the unit rating label is less than the 60 amp rating of the circuit breakers used in the units. This is because the function of the overcurrent protection required at the distribution panel (field supplied) and the unit mounted breakers is different.
- When circuit breakers are used they must be used on all circuits. Refer to [Table 3 \(page 7\)](#), [Table 4](#) and [Table 5 \(page 8\)](#), [Table 6 \(page 9\)](#), [Table 7](#) and [Table 8 \(page 10\)](#), [Table 9 \(page 11\)](#), [Table 10 \(page 12\)](#), [Table 11 \(page 13\)](#) and [Table 12 \(page 14\)](#) for the correct circuit breaker for the application.
- If the number of circuits listed in [Table 3 \(page 7\)](#), [Table 4](#) and [Table 5 \(page 8\)](#), [Table 6 \(page 9\)](#), [Table 7](#) and [Table 8 \(page 10\)](#), [Table 9 \(page 11\)](#), [Table 10 \(page 12\)](#), [Table 11 \(page 13\)](#) and [Table 12 \(page 14\)](#) are more than 1, circuit breakers are required. If single circuit supply wiring is desired: Use the 4-pole circuit adapter kit (P/N 1039295) when two 2-pole circuit breakers are used. If 3 circuit breakers are used, a field supplied U.L. Listed 6-pole single circuit adaptor can be used. The single circuit adapter kits are not applicable to 3-phase units.
- If circuit breakers are not being used, proceed to the Terminal Blocks section.

Circuit Breakers

If circuit breakers are used for any circuit, they must be used for all circuits. Use one breaker for each circuit.

See [Table 3 \(page 7\)](#), [Table 4](#) and [Table 5 \(page 8\)](#), [Table 6 \(page 9\)](#), [Table 7](#) and [Table 8 \(page 10\)](#), [Table 9 \(page 11\)](#), [Table 10 \(page 12\)](#), [Table 11 \(page 13\)](#) and [Table 12 \(page 14\)](#).

Breaker Attachment

Install the circuit breaker mounting rail to the control panel with the 4 blunt tip screws provided.

Attaching to Bracket

Attach the circuit breakers in the unit by hooking the bottom in the base of the circuit breaker onto the left rail of the bracket and rotating to the right. The circuit breaker should snap into place. Install the breakers so that the ON position is to the right. See [Figure 2 \(page 6\)](#) for component location.

HEATER KITS	DESCRIPTION	PART NUMBER
1 Phase 208/230v	H3HK005H-01C (5kW)	917166C
	H3HK008H-01C (8kW)	917167C
	H3HK010H-01C (10kW)	917168C
	H3HK015H-01C (15kW)	917169C
	H3HK015H-21C (15kW)	917172C
	H3HK020H-01C (20kW)	917170C
	H3HK020H-21C (20kW)	917173C
3 Phase 208/230v	H3HK-009Q-01C (9kW)	903854C
	H3HK-015Q-01C (15kW)	903855C
3 Phase 460v	H3HK-009S-01B (9kW)	903850B
	H3HK-015S-01B (15kW)	903851B
Accessories	4-Pole Single Circuit Adaptor*	1039295
	Circuit Breaker, 1 Phase (2-Pole)	913554
	Circuit Breaker, 3 Phase (3-Pole)	913740

* Single phase models only

Table 1. Heater Kits & Accessories

Breaker Removal

Insert a screwdriver into the hole in the release tab and pull out while rotating the breaker out and to the left. The white release tab is located at the base of the breaker under the line side (right) terminals.

Single Circuit Kit

(single phase only)

Refer to the instructions included with the single circuit adapter kit for details on how to configure the adapter. Install the adapter as shown in the instructions in the line side (right) of the breakers. Proceed to the Element Installation section.

Terminal Blocks

H3HK heater kits are shipped with a terminal block for small package units. For large package units the kit terminal block(s) will not be used. The electric heater kits will be wired to the existing factory installed terminal block. If the number of circuits indicated in [Table 3 \(page 7\)](#), [Table 4](#) and [Table 5 \(page 8\)](#), [Table 6 \(page 9\)](#), [Table 7](#) and [Table 8 \(page 10\)](#), [Table 9 \(page 11\)](#), [Table 10 \(page 12\)](#), [Table 11 \(page 13\)](#) and [Table 12 \(page 14\)](#) is 2 or 3, then the circuit breakers must be used. See Circuit Options section.

ELEMENT INSTALLATION

The heater will not function properly if the elements are installed incorrectly.

Pre-Installation

Remove the control box access panel. Locate the heater plug assembly (9 pin for single phase kits or 12 pin for 3 phase kits) and remove the jumper cap. Discard the jumper cap; it will not be used after installing the heater kits. Remove the heater close-off plate(s) in the electric heat panel. When installing single banks of heaters, position them closest to the blower. See [Figure 2 \(page 6\)](#).

Element Power Wiring

- Route the main power leads (heavy black & red wires) and the 9 or 12-pin heat plug through the access hole at the top of the control panel to the circuit breaker or terminal block.
- Connect the 9 or 12-pin heat kit plug to the heat accessory plug located in the control box. For connections, refer to the detailed wiring diagrams: [Figure 4 \(page 34\)](#), [Figure 5 \(page 35\)](#), [Figure 6 \(page 36\)](#), [Figure 7 \(page 37\)](#), [Figure 8 \(page 38\)](#), [Figure 9 \(page 39\)](#), [Figure 10 \(page 40\)](#), [Figure 11 \(page 41\)](#), [Figure 12 \(page 42\)](#), [Figure 13 \(page 43\)](#) and [Figure 14 \(page 44\)](#). Make sure all connections are secure.
- Select large package units have additional terminal blocks installed. The power leads from the heater kit should be attached to these terminal blocks.
- Wires needed to connect from terminal blocks to circuit breakers should be field supplied. The 6 inch leads are provided with the heater kit to connect the circuit breaker(s) to the compressor contactor. Mark the appropriate box on the unit rating plate with an "X" to indicate which heater kit has been installed. NOTE: Torque the circuit breaker lugs to 45 in-lbs.

Horizontal Supply & Return

Install the heater kit with the limit control towards the top of the unit when using side supply and return duct openings.

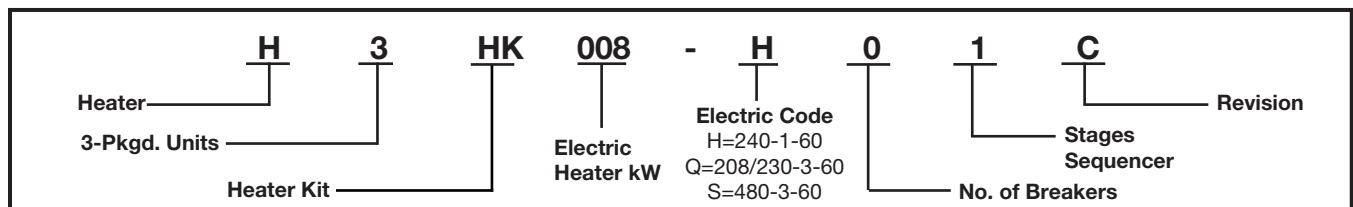


Figure 1. Heater Kit Identification Code

Vertical Supply & Return

Vertical Installation of 8 & 10 kW Heater Kits

Install the heater kit with the limit towards the bottom of the unit. When installing single bank(s) of heater(s), position them closest to the blower.

Rooftop applications with vertical ducts must have an elbow installed in the supply duct so that the elements are not directly over a supply grille.

1. Remove the two screws on the heater kit unit holding both heating element plates together if modifying the location of the element to be closer to the blower.
2. Tilt the heating element plate forward to create clearance of contactor wires. Move it to the other side of the heating element bank and then back down, aligning the edge holes of the heating element plates.

NOTE: This allows the unit to be turned around so that both the element being closest to the blower and limit being towards the bottom of the unit conditions are satisfied. If the low voltage coil wires on the contactor need to be removed mark each wire prior to removal to ensure proper and easier reinstallation.

3. Using the two screws removed in step 1, fasten the element close-off plates together.

Installation of 15 & 20 kW Heater Kits

The 15 & 20 kW heater kit includes a contactor bracket that must be mounted on the blower transition panels of the package equipment. Loosen the screw toward the middle of the transition panel enough so that the open slot on the bracket will slide into this screw. See [Figure 2 \(page 6\)](#).

- If installing in a large package unit, the mounting screw for the front of this bracket will be on the top side of the blower transition panel closest to the supply duct opening.
- If installing in a small package unit, the mounting screw will be on the side of the blower transition. Remove this screw to allow the contactor bracket to slide into the back screw.

Reinstall the front screw and tighten the back screw firmly.

NOTE: Make sure the element support rod is inserted into the support bracket. Fasten the heater with the same screws used to secure the close-off plates. See [Figure 3 \(page 6\)](#).

Staged Heat

To stage the heat on the 15 kW or 20 kW heater kits, the factory set wiring will need to be modified. The orange wire in Pin 2 on the heat accessory plug will be re-routed. See the installation instructions supplied with the heat pump or air conditioner for typical thermostat connections.

AIRFLOW

All heater kit temperature rise data in [Table 25 \(page 25\)](#), [Table 26 & Table 27 \(page 26\)](#), [Table 28 \(page 27\)](#), [Table 29 \(page 28\)](#), [Table 30 \(page 29\)](#), [Table 31 \(page 30\)](#), [Table 32 \(page 31\)](#), [Table 33 \(page 32\)](#) and [Table 34 \(page 33\)](#) have been calculated using 10kW heaters (9kW for 3 phase units). For other sized heater kits, use the following steps below to determine the heat rise for your particular heater kit.

1. Determine your CFM. NOTE: Find this data by locating your blower motor tap settings in the data supplied with the Installation Instructions.
2. Locate your heater kits kW value and Btu/h in Table 2.
3. Input the values into the following equation:

$$\text{TEMP RISE: } \Delta T = (\text{BTU/H}) / (\text{CFM} * 1.08)$$

NOTE: Generally the heat rise should be 30 - 40 degrees. Anything above 40 degrees should be avoided.

kW/H	BTU/H
5	17,060
8	27,297
9	30,709
10	34,121
15	51,182
20	68,242

Table 2. kW & BTU/h Ratings

EQUIPMENT COMPONENTS

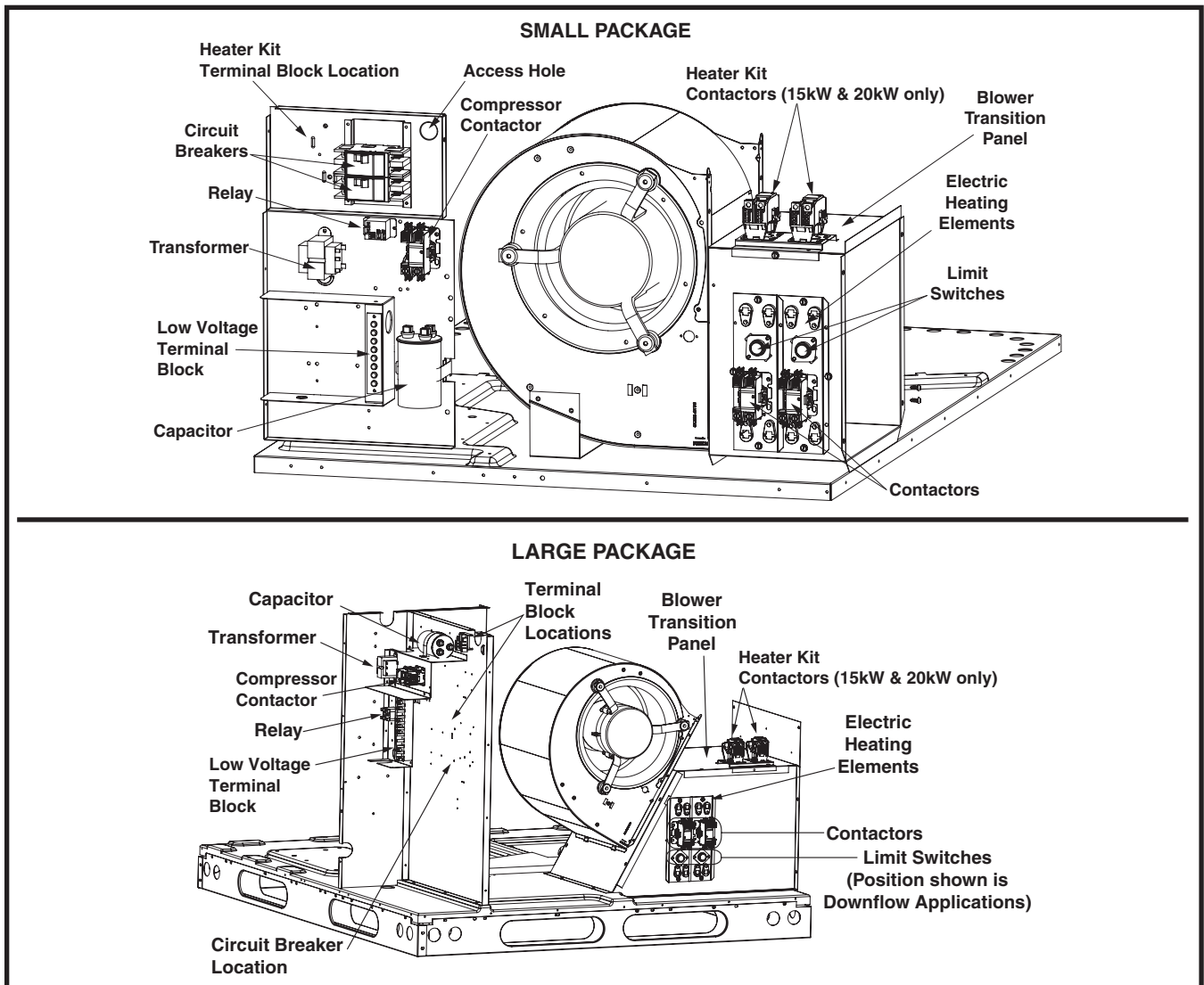


Figure 2. Location of Major Components

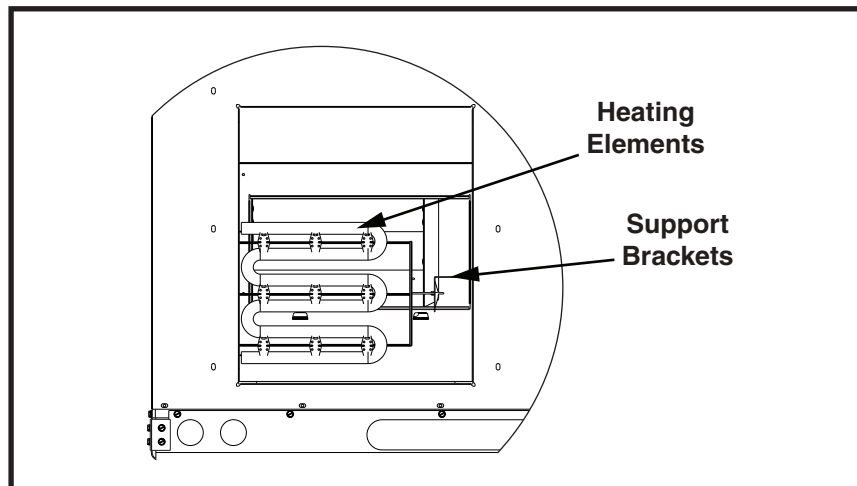


Figure 3. Element Support Bracket

HEATER KIT CROSS REFERENCE TABLES

Heater Kit Cross References For Model (*)P7RE / PPA3RE					
MODEL	TONNAGE & PHASE	NOMINAL KW	HEATER KIT MODEL	HEATER KIT PART NUMBER	BREAKERS REQUIRED
(*)P7RE	1.5 Ton Single Phase	5	H3HK005H-01C	917166C	NONE
		8	H3HK008H-01C	917167C	NONE
		10	H3HK010H-01C	917168C	NONE
		15	H3HK015H-01C	917169C	2
(*)P7RE PPA3RE	2 Ton Single Phase	5	H3HK005H-01C	917166C	NONE
		8	H3HK008H-01C	917167C	NONE
		10	H3HK010H-01C	917168C	NONE
		15	H3HK015H-01C	917169C	2
(*)P7RE PPA3RE	2.5 Ton Single Phase	5	H3HK005H-01C	917166C	NONE
		8	H3HK008H-01C	917167C	NONE
		10	H3HK010H-01C	917168C	NONE
		15	H3HK015H-01C	917169C	2
(*)P7RE PPA3RE	3 Ton Single Phase	5	H3HK005H-01C	917166C	NONE
		8	H3HK008H-01C	917167C	NONE
		10	H3HK010H-01C	917168C	NONE
		15	H3HK015H-01C	917169C	2
(*)P7RE PPA3RE	3.5 Ton Single Phase	5	H3HK005H-01C	917166C	NONE
		8	H3HK008H-01C	917167C	NONE
		10	H3HK010H-01C	917168C	NONE
		15	H3HK015H-01C	917169C	2
		20	H3HK020H-01C	917170C	2
(*)P7RE PPA3RE	4 Ton Single Phase	5	H3HK005H-01C	917166C	NONE
		8	H3HK008H-01C	917167C	NONE
		10	H3HK010H-01C	917168C	NONE
		15	H3HK015H-01C	917169C	2
		20	H3HK020H-01C	917170C	2
(*)P7RE PPA3RE	5 Ton Single Phase	5	H3HK005H-01C	917166C	NONE
		8	H3HK008H-01C	917167C	NONE
		10	H3HK010H-01C	917168C	NONE
		15	H3HK015H-01C	917169C	2
		20	H3HK020H-01C	917170C	2

Table 3. (*)P7RE / PPA3RE, Single Phase

HEATER KIT CROSS REFERENCE TABLES continued

Heater Kit Cross References For Model (*)P7RF / PPA3RF					
MODEL	TONNAGE & PHASE	NOMINAL KW	HEATER KIT MODEL	HEATER KIT PART NUMBER	BREAKERS REQUIRED
(*)P7RF PPA3RF	2 Ton Single Phase	5	H3HK005H-01C	917166C	NONE
		8	H3HK008H-01C	917167C	NONE
		10	H3HK010H-01C	917168C	NONE
		15	H3HK015H-01C	917169C	2
(*)P7RF PPA3RF	3 Ton Single Phase	5	H3HK005H-01C	917166C	NONE
		8	H3HK008H-01C	917167C	NONE
		10	H3HK010H-01C	917168C	NONE
		15	H3HK015H-01C	917169C	2
(*)P7RF PPA3RF	4 Ton Single Phase	5	H3HK005H-01C	917166C	NONE
		8	H3HK008H-01C	917167C	NONE
		10	H3HK010H-01C	917168C	NONE
		15	H3HK015H-01C	917169C	2
		20	H3HK020H-01C	917170C	2
(*)P7RF PPA3RF	5 Ton Single Phase	5	H3HK005H-01C	917166C	NONE
		8	H3HK008H-01C	917167C	NONE
		10	H3HK010H-01C	917168C	NONE
		15	H3HK015H-01C	917169C	2
		20	H3HK020H-01C	917170C	2

Table 4. (*)P7RF / PPA3RF, Single Phase

Heater Kit Cross References For Model (*)P8SE / PPA3SE					
MODEL	TONNAGE & PHASE	NOMINAL KW	HEATER KIT MODEL	HEATER KIT PART NUMBER	BREAKERS REQUIRED
(*)P8SE PPA3SE	3 Ton Single Phase	5	H3HK005H-01C	917166C	None
		8	H3HK008H-01C	917167C	None
		10	H3HK010H-01C	917168C	None
		15	H3HK015H-01C	917169C	2
(*)P8SE PPA3SE	4 Ton Single Phase	5	H3HK005H-01C	917166C	None
		8	H3HK008H-01C	917167C	None
		10	H3HK010H-01C	917168C	None
		15	H3HK015H-01C	917169C	2
		20	H3HK020H-01C	917170C	2
(*)P8SE PPA3SE	5 Ton Single Phase	5	H3HK005H-01C	917166C	None
		8	H3HK008H-01C	917167C	None
		10	H3HK010H-01C	917168C	2
		15	H3HK015H-01C	917169C	2
		20	H3HK020H-01C	917170C	3
(*)P8SE PPA3SE	3,4, & 5 TON 3 Phase, 208/230V	9	H3HK-009Q-01C	903854C	None
		15	H3HK-015Q-01C	903855C	None
(*)P8SE PPA3SE	3,4, & 5 TON 3 Phase, 460V	9	H3HK-009S-01B	903850B	None
		15	H3HK-015S-01B	903851B	None

Table 5. (*)P8SE / PPA3SE, Single Phase & 3-Phase

HEATER KIT CROSS REFERENCE TABLES continued

Heater Kit Cross References For Model (*)Q6SE / PPH2SE					
MODEL	TONNAGE, & PHASE	NOMINAL KW	HEATER KIT MODEL	HEATER KIT PART NUMBER	BREAKERS REQUIRED
(*)Q6SE PPH2SE	2 Ton Single Phase	5	H3HK005H-01C	917166C	None
		8	H3HK008H-01C	917167C	2
		10	H3HK010H-01C	917168C	2
		15	H3HK015H-01C	917169C	3
(*)Q6SE PPH2SE	2.5 Ton Single Phase	5	H3HK005H-01C	917166C	None
		8	H3HK008H-01C	917167C	2
		10	H3HK010H-01C	917168C	2
		15	H3HK015H-01C	917169C	3
(*)Q6SE PPH2SE	3 Ton Single Phase	5	H3HK005H-01C	917166C	None
		8	H3HK008H-01C	917167C	2
		10	H3HK010H-01C	917168C	2
		15	H3HK015H-01C	917169C	3
(*)Q6SE PPH2SE	3.5 Ton Single Phase	5	H3HK005H-01C	917166C	2
		8	H3HK008H-01C	917167C	2
		10	H3HK010H-01C	917168C	2
		15	H3HK015H-01C	917169C	3
		20	H3HK020H-01C	917170C	3
(*)Q6SE PPH2SE	4 Ton Single Phase	5	H3HK005H-01C	917166C	2
		8	H3HK008H-01C	917167C	2
		10	H3HK010H-01C	917168C	2
		15	H3HK015H-01C	917169C	3
		20	H3HK020H-01C	917170C	3
(*)Q6SE PPH2SE	5 Ton Single Phase	5	H3HK005H-01C	917166C	2
		8	H3HK008H-01C	917167C	2
		10	H3HK010H-01C	917168C	2
		15	H3HK015H-01C	917169C	3
		20	H3HK020H-01C	917170C	3
(*)Q6SE PPH2SE	3,4, & 5 TON, 3 Phase, 208/230V	9	H3HK-009Q-01C	903854C	None
		15	H3HK-015Q-01C	903855C	2
(*)Q6SE PPH2SE	3,4, & 5 TON, 3 Phase, 460V	9	H3HK-009S-01B	903850B	None
		15	H3HK-015S-01B	903851B	None

Table 6. (*)Q6SE / PPH2SE, Single Phase & 3-Phase

HEATER KIT CROSS REFERENCE TABLES continued

Heater Kit Cross References For Model (*)Q7RE / PPH3RE					
MODEL	TONNAGE & PHASE	NOMINAL KW	HEATER KIT MODEL	HEATER KIT PART NUMBER	BREAKERS REQUIRED
(*)Q7RE PPH3RE	2 Ton Single Phase	5	H3HK005H-01C	917166C	NONE
		8	H3HK008H-01C	917167C	2
		10	H3HK010H-01C	917168C	2
(*)Q7RE PPH3RE	2.5 Ton Single Phase	5	H3HK005H-01C	917166C	NONE
		8	H3HK008H-01C	917167C	2
		10	H3HK010H-01C	917168C	2
		15	H3HK015H-01C	917169C	2
(*)Q7RE PPH3RE	3 Ton Single Phase	5	H3HK005H-01C	917166C	NONE
		8	H3HK008H-01C	917167C	2
		10	H3HK010H-01C	917168C	2
		15	H3HK015H-01C	917169C	2
(*)Q7RE PPH3RE	3.5 Ton Single Phase	5	H3HK005H-01C	917166C	NONE
		8	H3HK008H-01C	917167C	2
		10	H3HK010H-01C	917168C	2
		15	H3HK015H-01C	917169C	2
		20	H3HK020H-01C	917170C	3
(*)Q7RE PPH3RE	4 Ton Single Phase	5	H3HK005H-01C	917166C	2
		8	H3HK008H-01C	917167C	2
		10	H3HK010H-01C	917168C	2
		15	H3HK015H-01C	917169C	2
		20	H3HK020H-01C	917170C	3
(*)Q7RE PPH3RE	5 Ton Single Phase	5	H3HK005H-01C	917166C	2
		8	H3HK008H-01C	917167C	2
		10	H3HK010H-01C	917168C	2
		15	H3HK015H-01C	917169C	2
		20	H3HK020H-01C	917170C	3

Table 7. (*)Q7RE / PPH3RE, Single Phase

Heater Kit Cross References For Model (*)Q7RF / PPH3RF					
MODEL	TONNAGE & PHASE	NOMINAL KW	HEATER KIT MODEL	HEATER KIT PART NUMBER	BREAKERS REQUIRED
(*)Q7RF PPH3RF	2 Ton Single Phase	5	H3HK005H-01C	917166C	NONE
		8	H3HK008H-01C	917167C	NONE
		10	H3HK010H-01C	917168C	2
		15	H3HK015H-01C	917169C	2
(*)Q7RF PPH3RF	3 Ton Single Phase	5	H3HK005H-01C	917166C	NONE
		8	H3HK008H-01C	917167C	2
		10	H3HK010H-01C	917168C	2
		15	H3HK015H-01C	917169C	2
(*)Q7RF PPH3RF	4 Ton Single Phase	5	H3HK005H-01C	917166C	2
		8	H3HK008H-01C	917167C	2
		10	H3HK010H-01C	917168C	2
		15	H3HK015H-01C	917169C	2
		20	H3HK020H-01C	917170C	3
(*)Q7RF PPH3RF	5 Ton Single Phase	5	H3HK005H-01C	917166C	2
		8	H3HK008H-01C	917167C	2
		10	H3HK010H-01C	917168C	2
		15	H3HK015H-01C	917169C	2
		20	H3HK020H-01C	917170C	3

Table 8. (*)Q7RF / PPH3RF, Single Phase

HEATER KIT CROSS REFERENCE TABLES continued

Heater Kit Cross Reference For Model (*)Q8SF / PPH3SF, Single Phase					
MODEL	TONNAGE & PHASE	NOMINAL kW	HEATER KIT MODEL	HEATER KIT PART NUMBER	BREAKERS REQUIRED
(*)Q8SF PPH3SF	2 Ton Single Phase	5	H3HK005H-01C	917166C	None
		8	H3HK008H-01C	917167C	2
		10	H3HK010H-01C	917168C	2
		15	H3HK015H-01C	917169C	3
(*)Q8SF PPH3SF	3 Ton Single Phase	5	H3HK005H-01C	917166C	None
		8	H3HK008H-01C	917167C	2
		10	H3HK010H-01C	917168C	2
		15	H3HK015H-01C	917169C	3
(*)Q8SF PPH3SF	4 Ton Single Phase	5	H3HK005H-01C	917166C	None
		8	H3HK008H-01C	917167C	2
		10	H3HK010H-01C	917168C	2
		15	H3HK015H-01C	917169C	3

Table 9. (*)Q8SF / PPH3SF, Single Phase

HEATER KIT CROSS REFERENCE TABLES continued

Heater Kit Cross Reference For Model (*)P94RD					
MODEL	TONNAGE & PHASE	NOMINAL kW	HEATER KIT MODEL	HEATER KIT PART NUMBER	BREAKERS REQUIRED
(*)P94RD-018K	1.5 Ton Single Phase	5	H3HK005H-01C	917166C	NONE
		8	H3HK008H-01C	917167C	NONE
		10	H3HK010H-01C	917168C	NONE
		15	H3HK015H-01C	917169C	2
(*)P94RD-024K	2 Ton Single Phase	5	H3HK005H-01C	917166C	NONE
		8	H3HK008H-01C	917167C	NONE
		10	H3HK010H-01C	917168C	NONE
		15	H3HK015H-01C	917169C	2
(*)P94RD-030K	2.5 Ton Single Phase	5	H3HK005H-01C	917166C	NONE
		8	H3HK008H-01C	917167C	NONE
		10	H3HK010H-01C	917168C	NONE
		15	H3HK015H-01C	917169C	2
(*)P94RD-036K	3 Ton Single Phase	5	H3HK005H-01C	917166C	NONE
		8	H3HK008H-01C	917167C	NONE
		10	H3HK010H-01C	917168C	NONE
		15	H3HK015H-01C	917169C	2
(*)P94RD-042K	3.5 Ton Single Phase	5	H3HK005H-01C	917166C	NONE
		8	H3HK008H-01C	917167C	NONE
		10	H3HK010H-01C	917168C	NONE
		15	H3HK015H-01C	917169C	2
		20	H3HK020H-01C	917170C	2
(*)P94RD-048K	4 Ton Single Phase	5	H3HK005H-01C	917166C	NONE
		8	H3HK008H-01C	917167C	NONE
		10	H3HK010H-01C	917168C	NONE
		15	H3HK015H-01C	917169C	2
		20	H3HK020H-01C	917170C	2
(*)P94RD-060K	5 Ton Single Phase	5	H3HK005H-01C	917166C	NONE
		8	H3HK008H-01C	917167C	NONE
		10	H3HK010H-01C	917168C	NONE
		15	H3HK015H-01C	917169C	2
		20	H3HK020H-01C	917170C	2

Table 10. (*)P94RD, Single Phase

HEATER KIT CROSS REFERENCE TABLES continued

Heater Kit Cross Reference For Model (*)Q94RD					
MODEL	TONNAGE & PHASE	NOMINAL kW	HEATER KIT MODEL	HEATER KIT PART NUMBER	BREAKERS REQUIRED
(*)Q94RD-024K	2 Ton Single Phase	5	H3HK005H-01C	917166C	None
		8	H3HK008H-01C	917167C	None
		10	H3HK010H-01C	917168C	2
		15	H3HK015H-01C	917169C	2
(*)Q94RD-030K	2.5 Ton Single Phase	5	H3HK005H-01C	917166C	None
		8	H3HK008H-01C	917167C	None
		10	H3HK010H-01C	917168C	2
		15	H3HK015H-01C	917169C	2
(*)Q94RD-036K	3 Ton Single Phase	5	H3HK005H-01C	917166C	None
		8	H3HK008H-01C	917167C	2
		10	H3HK010H-01C	917168C	2
		15	H3HK015H-01C	917169C	2
(*)Q94RD-042K	3.5 Ton Single Phase	5	H3HK005H-01C	917166C	None
		8	H3HK008H-01C	917167C	2
		10	H3HK010H-01C	917168C	2
		15	H3HK015H-01C	917169C	2
		20	H3HK020H-01C	917170C	3
(*)Q94RD-048K	4 Ton Single Phase	5	H3HK005H-01C	917166C	2
		8	H3HK008H-01C	917167C	2
		10	H3HK010H-01C	917168C	2
		15	H3HK015H-01C	917169C	3
		20	H3HK020H-01C	917170C	3
(*)Q94RD-060K	5 Ton Single Phase	5	H3HK005H-01C	917166C	2
		8	H3HK008H-01C	917167C	2
		10	H3HK010H-01C	917168C	2
		15	H3HK015H-01C	917169C	3
		20	H3HK020H-01C	917170C	3

Table 11. (*)Q94RD, Single Phase

HEATER KIT CROSS REFERENCE TABLES continued

Heater Kit Cross Reference For Model (*)Q104SD						
MODEL	TONNAGE & PHASE	NOMINAL kW	HEATER KIT MODEL	HEATER KIT PART NUMBER	BREAKERS REQUIRED	FIGURE
(*)Q104SD	2 Ton Single Phase	5	H3HK005H-01C	917166C	None	–
		8	H3HK008H-01C	917167C	2	7
		10	H3HK010H-01C	917168C	2	7
		15	H3HK015H-01C	917169C	2 or 3	9 or 10
(*)Q104SD	2.5 Ton Single Phase	5	H3HK005H-01C	917166C	None	–
		8	H3HK008H-01C	917167C	2	7
		10	H3HK010H-01C	917168C	2	7
		15	H3HK015H-01C	917169C	2 or 3	9 or 10
(*)Q104SD	3 Ton Single Phase	5	H3HK005H-01C	917166C	None	–
		8	H3HK008H-01C	917167C	2	7
		10	H3HK010H-01C	917168C	2	7
		15	H3HK015H-01C	917169C	2 or 3	9 or 10
(*)Q104SD	3.5 Ton Single Phase	5	H3HK005H-01C	917166C	2	5
		8	H3HK008H-01C	917167C	2	7
		10	H3HK010H-01C	917168C	2	7
		15	H3HK015H-01C	917169C	3	10
		20	H3HK020H-01C	917170C	3	12
(*)Q104SD	4 Ton Single Phase	5	H3HK005H-01C	917166C	2	5
		8	H3HK008H-01C	917167C	2	7
		10	H3HK010H-01C	917168C	2	7
		15	H3HK015H-01C	917169C	3	10
		20	H3HK020H-01C	917170C	3	12
(*)Q104SD	5 Ton Single Phase	5	H3HK005H-01C	917166C	2	5
		8	H3HK008H-01C	917167C	2	7
		10	H3HK010H-01C	917168C	2	7
		15	H3HK015H-01C	917169C	3	10
		20	H3HK020H-01C	917170C	3	12

Table 12. (*)Q104SD, Single Phase

ELECTRICAL DATA

MODEL (*)P7RE / PPA3RE, SINGLE PHASE, 208/230V							
MODEL (*)P7RE / PPA3RE	HEATER KW	SINGLE CIRCUIT		MULTIPLE SUPPLY CIRCUIT OPTION			
		MCA	MOP	CIRCUIT A (COMPRESSOR & FAN)		CIRCUIT B (BLOWER & HEATER)	
				MCA	MOP	MCA	MOP
018K	0	13.2	15	—	—	—	—
	5	29.8	30	—	—	—	—
	8	44.3	45	—	—	—	—
	10	54.8	60	—	—	—	—
	15	79.8	80	54.8	60	25	30
024K	0	15.2	20	—	—	—	—
	5	29.8	30	—	—	—	—
	8	44.3	45	—	—	—	—
	10	54.8	60	—	—	—	—
	15	79.8	80	54.8	60	25	30
030K	0	17.2	25	—	—	—	—
	5	29.8	30	—	—	—	—
	8	44.3	45	—	—	—	—
	10	54.8	60	—	—	—	—
	15	79.8	80	54.8	60	25.0	30
036K	0	25.7	40	—	—	—	—
	5	29.8	40	—	—	—	—
	8	44.3	45	—	—	—	—
	10	54.8	60	—	—	—	—
	15	79.8	80	54.8	60	25.0	30
042K	0	29.3	45	—	—	—	—
	5	31.8	45	—	—	—	—
	8	46.3	50	—	—	—	—
	10	56.8	60	—	—	—	—
	15	81.8	90	56.8	60	25	30
	20	106.8	110	56.8	60	50	60
048K	0	34.2	50	—	—	—	—
	5	34.2	50	—	—	—	—
	8	46.3	50	—	—	—	—
	10	56.8	60	—	—	—	—
	15	81.8	90	56.8	60	25	30
	20	106.8	110	56.8	60	50	60
060K	0	38.9	60	—	—	—	—
	5	38.9	60	—	—	—	—
	8	48.3	60	—	—	—	—
	10	58.8	60	—	—	—	—
	15	83.8	90	58.8	60	25	30
	20	108.8	110	58.8	60	50	60

Table 13. (*)P7RE / PPA3RE, Single Phase

ELECTRICAL DATA continued

MODEL (*)P7RF / PPA3RF, SINGLE PHASE, 208/230V							
MODEL (*)P7RF / PPA3RF	HEATER KW	SINGLE CIRCUIT		MULTIPLE SUPPLY CIRCUIT OPTION			
		MCA	MOP	CIRCUIT A (COMPRESSOR, BLOWER, & FAN)		CIRCUIT B (HEATER ONLY)	
				MCA	MOP	MCA	MOP
X24K	0	19.4	30	-	-	-	-
	5	29.8	30	-	-	-	-
	8	43.3	45	-	-	-	-
	10	54.8	60				
	15	79.8	80	54.8	60	25	30
X36K	0	24.4	35	-	-	-	-
	5	29.8	35	-	-	-	-
	8	44.3	45	-	-	-	-
	10	54.8	60	-	-	-	-
	15	79.8	80	54.8	60	25	30
X48K	0	35.7	50	-	-	-	-
	5	35.7	50	-	-	-	-
	8	46.3	50	-	-	-	-
	10	56.8	60	-	-	-	-
	15	81.8	90	56.8	60	25	30
	20	106.8	110	56.8	60	50	60
X60K	0	45.2	70	-	-	-	-
	5	45.2	70	-	-	-	-
	8	46.3	70	-	-	-	-
	10	56.8	70	-	-	-	-
	15	81.8	90	56.8	70	25	30
	20	106.8	110	56.8	70	50	60

Table 14. (*)P7RF / PPA3RF, Single Phase

ELECTRICAL DATA continued

MODEL (*)P8SE / PPA3SE, SINGLE PHASE, 208/230V									
MODEL (*)P8SE / PPA3SE	HEATER INSTALLED NOMINAL KW	SINGLE CIRCUIT		MULTIPLE SUPPLY CIRCUIT OPTION					
		MCA	MOP	CIRCUIT A (COMPRESSOR, BLOWER, & FAN)		CIRCUIT B (HEATER ONLY)		CIRCUIT C (HEATER ONLY)	
				MCA	MOP	MCA	MOP	MCA	MOP
X36K	0	28.5	45	-	-	-	-	-	-
	5	29.8	45	-	-	-	-	-	-
	8	44.3	45	28.5	45	39.6	40	-	-
	10	54.8	60	28.5	45	50	60	-	-
	15	79.8	80	28.5	45	79.8	80	-	-
X48K	0	34.1	50	-	-	-	-	-	-
	5	34.1	50	-	-	-	-	-	-
	8	46.3	50	34.1	50	39.6	40	-	-
	10	56.8	60	34.1	50	50	60	-	-
	15	81.8	90	34.1	50	75	80	-	-
	15 (3 CIR)			34.1	50	25	30	50	60
	20	106.8	110	56.8	60	50	60	-	-
20 (3 CIR)			34.1	50	50	60	50	60	
X60K	0	43.5	70	-	-	-	-	-	-
	5	43.5	70	-	-	-	-	-	-
	8	46.3	70	43.5	70	39.6	40	-	-
	10	56.8	70	43.5	70	50	60	-	-
	15	81.8	90	43.5	70	75	80	-	-
	15 (3 CIR)			43.5	70	25	30	50	60
	20	106.8	110	43.5	70	100	110	-	-
	20 (3 CIR)			43.5	70	50	60	50	60

Table 15. (*)P8SE / PPA3SE, Single Phase

MODEL (*)P8SE / PPA3SE, 3-PHASE, 208/230V & 460V						
208/230V				460V		
MODEL (*)P8SE / PPA3SE	HEATER INSTALLED NOMINAL KW	SINGLE CIRCUIT		HEATER INSTALLED NOMINAL KW	SINGLE CIRCUIT	
		MCA	MOP		MCA	MOP
X36C	0	19.8	30	0	10.5	15
	9	31.8	35	9	16.5	20
	15	49.9	50	15	25.9	30
X48C	0	26	40	0	12.5	15
	9	33.8	40	9	18.2	20
	15	51.9	60	15	27.7	30
X60C	0	28.6	45	0	14.7	20
	9	33.8	45	9	18.2	20
	15	51.9	60	15	27.7	30

Table 16. (*)P8SE / PPA3SE, 3-Phase

ELECTRICAL DATA continued

MODEL (*)Q6SE / PPH2SE, SINGLE PHASE, 208/230V									
MODEL (*)Q6SE / PPH2SE	HEATER KW	SINGLE CIRCUIT		MULTIPLE SUPPLY CIRCUIT OPTION					
		MCA	MOP	CIRCUIT A (COMPRESSOR, BLOWER & FAN)		CIRCUIT B (HEATER ONLY)		CIRCUIT C (HEATER ONLY)	
				MCA	MOP	MCA	MOP	MCA	MOP
X24K	0	22.7	35	-	-	-	-	-	-
	5	47.7	50	22.7	35	25	30	-	-
	8	62.3	70	22.7	35	39.6	40	-	-
	10	72.7	80	22.7	35	50	60	-	-
	15	97.7	100	22.7	35	75	80	-	-
	15 (3 circuit)	97.7	100	22.7	35	50	60	25.0	30
X30K	0	24.4	40	-	-	-	-	-	-
	5	49.4	60	24.4	40	25	30	-	-
	8	64	70	24.4	40	39.6	40	-	-
	10	74.4	80	24.4	40	50	60	-	-
	15	99.4	100	24.4	40	74.4	80	-	-
	15 (3 circuit)	99.4	100	24.4	40	50	60	25.0	30
X36K	0	28.5	45	-	-	-	-	-	-
	5	53.5	60	28.5	45	25	30	-	-
	8	68.1	70	28.5	45	39.6	40	-	-
	10	78.5	80	28.5	45	50	60	-	-
	15	103.5	110	28.5	45	75	80	-	-
	15 (3 circuit)	103.5	110	28.5	45	50	60	25.0	30
X42K	0	32.9	50	-	-	-	-	-	-
	5	57.9	70	32.9	50	25	30	-	-
	8	72.5	80	32.9	50	39.6	40	-	-
	10	82.9	90	32.9	50	50	60	-	-
	15	107.9	110	32.9	50	75	80	-	-
	15 (3 circuit)	107.9	110	32.9	50	50	60	25.0	30
	20 (3 circuit)	132.9	150	32.9	50	100	110	-	-
X48K	0	37.2	60	-	-	-	-	-	-
	5	62.2	80	37.2	60	25.0	30	-	-
	8	76.8	90	37.2	60	39.6	40	-	-
	10	87.2	100	37.2	60	50.0	60	-	-
	15	112.2	125	37.2	60	75.0	80	-	-
	15 (3 circuit)	112.2	125	37.2	60	50.0	60	25.0	30
	20	137.2	150	37.2	60	100.0	110	-	-
	20 (3 circuit)	137.2	150	37.2	60	50.0	60	50.0	60
X60K	0	43.5	70	-	-	-	-	-	-
	5	68.5	90	43.5	70	25.0	30	-	-
	8	83.1	100	43.5	70	39.6	40	-	-
	10	93.5	110	43.5	70	50.0	60	-	-
	15	118.5	125	43.5	70	75.0	80	-	-
	15 (3 circuit)	118.5	125	43.5	70	50.0	60	25.0	30
	20	143.5	150	43.5	70	100.0	110	-	-
	20 (3 circuit)	143.5	150	43.5	70	50.0	60	50.0	60

Table 17. (*)Q6SE / PPH2SE, Single Phase

ELECTRICAL DATA continued

MODEL (*)Q6SE / PPH2SE, 3-PHASE, 208/230V & 460V											
208/230V								460V			
MODEL (*)Q6SE / PPH2SE	HEATER KW	SINGLE CIRCUIT		MULTIPLE SUPPLY CIRCUIT OPTION				MODEL	HEATER KW	SINGLE CIRCUIT	
		MCA	MOP	CIRCUIT A (COMPRESSOR, BLOWER & FAN)		CIRCUIT B (HEATER ONLY)				MCA	MOP
				MCA	MOP	MCA	MOP				
X36C	0	19.6	30	-	-	-	-	X36D	0	10.5	15
	9	46.7	50	-	-	-	-		9	24.6	25
	15	64.7	70	19.6	30	45.2	50		15	34	35
X48C	0	25.6	40	-	-	-	-	X48D	0	12.5	15
	9	52.7	60	-	-	-	-		9	26.6	30
	15	70.7	80	25.6	40	45.2	50		15	36.1	40
X60C	0	28.2	45	-	-	-	-	X60D	0	14.7	20
	9	55.3	60	-	-	-	-		9	28.8	30
	15	73.4	80	28.2	45	45.2	50		15	38.2	40

NOTE: All circuitry has been changed due to routing the blower motor to the contactor.

Table 18. (*)Q6SE / PPH2SE, 3-Phase

ELECTRICAL DATA continued

MODEL (*)Q7RE / PPH3RE, SINGLE PHASE, 208/230V									
MODEL (*)Q7RE / PPH3RE	HEATER KW	MCA	MOP	CIRCUIT A (COMPRESSOR, BLOWER & FAN)		CIRCUIT B (HEATER ONLY)		CIRCUIT C (HEATER ONLY)	
				MCA	MOP	MCA	MOP	MCA	MOP
024K	0	15.3	20.0	-	-	-	-	-	-
	5	40.3	45.0	-	-	-	-	-	-
	8	54.9	60.0	15.3	20	39.6	40	-	-
	10	65.3	70.0	15.3	20	50	60	-	-
030K	0	17.3	25.0	-	-	-	-	-	-
	5	42.3	45.0	-	-	-	-	-	-
	8	56.9	60.0	17.3	25	39.6	40	-	-
	10	67.3	70.0	17.3	25	50	60	-	-
	15	92.3	100	42.3	45	50	60	-	-
036K	0	28.2	45.0	-	-	-	-	-	-
	5	53.2	60.0	-	-	-	-	-	-
	8	67.7	70.0	28.2	45	39.6	40	-	-
	10	78.2	80.0	28.2	45	50	60	-	-
	15	103.2	110	53.2	60	50	60	-	-
042K	0	31.9	50.0	-	-	-	-	-	-
	5	56.9	70.0	-	-	-	-	-	-
	8	71.5	80.0	31.9	50	39.6	40	-	-
	10	81.9	90.0	31.9	50	50	60	-	-
	15	106.9	110	56.9	70	50	60	-	-
	20	131.9	150	-	-	-	-	-	-
	20 (3 circuit)	-	-	31.9	50	50	60	50	60
048K	0	37.3	60.0	-	-	-	-	-	-
	5	62.3	80.0	-	-	-	-	-	-
	8	76.9	90.0	37.3	60	39.6	40	-	-
	10	87.3	100.0	37.3	60	50	60	-	-
	15	112.3	125	62.3	80	50	60	-	-
	20	137.3	150	-	-	-	-	-	-
20 (3 circuit)	-	-	37.3	60	50	60	50	60	

Table 19. (*)Q7RE / PPH3RE, Single Phase

MODEL (*)Q7RF / PPH3RF, SINGLE PHASE, 208/230V									
MODEL (*)Q7RF / PPH3RF	HEATER KW	SINGLE CIRCUIT		MULTIPLE SUPPLY CIRCUIT OPTION					
		MCA	MOP	CIRCUIT A (COMPRESSOR, BLOWER & FAN)		CIRCUIT B (HEATER ONLY)		CIRCUIT C (HEATER ONLY)	
				MCA	MOP	MCA	MOP	MCA	MOP
X24K	0	21.0	30	-	-	-	-	-	-
	5	46.0	50	-	-	-	-	-	-
	8	60.6	70	21.0	30	39.6	40	-	-
	10	71.0	80	21.0	30	50.0	60	-	-
	15	96.0	100	21.0	30	25.0	30	50.0	60
X36K	0	25.5	40	-	-	-	-	-	-
	5	50.5	60	-	-	-	-	-	-
	8	65.1	70	25.5	40	39.6	40	-	-
	10	75.5	80	25.5	40	50.0	60	-	-
X48K	15	100.5	110	25.5	40	25.0	30	50.0	60
	0	35.0	50	-	-	-	-	-	-
	5	60.0	70	46.8	70	25.0	30	-	-
	8	74.5	80	46.8	70	39.6	40	-	-
	10	85.0	90	46.8	70	50.0	60	-	-
	15	110.0	110	46.8	70	25.0	30	50.0	60
X60K	20	135.0	150	46.8	70	50.0	60	50.0	60
	0	46.8	70	-	-	-	-	-	-
	5	71.8	90	46.8	70	25.0	30	-	-
	8	86.4	100	46.8	70	39.6	40	-	-
	10	96.8	110	46.8	70	50.0	60	-	-
	15	121.8	125	46.8	70	25.0	30	50.0	60
20	146.8	150	46.8	70	50.0	60	50.0	60	

Table 20. (*)Q7RF / PPH3RF, Single Phase

ELECTRICAL DATA continued

MODEL (*)Q8SF / PPH3SF, SINGLE PHASE, 208/230V									
MODEL (*)Q8SF / PPH3SF	HEATER (KW)	SINGLE CIRCUIT		MULTIPLE SUPPLY CIRCUIT OPTION					
		MCA	MOP	CIRCUIT A (COMPRESSOR, BLOWER & FAN)		CIRCUIT B (HEATER ONLY)		CIRCUIT C (HEATER ONLY)	
				MCA	MOP	MCA	MOP	MCA	MOP
X24K	0	20.8	30	-	-	-	-	-	-
	5	45.8	50	20.8	30	25	30	-	-
	8	60.4	70	20.8	30	39.6	40	-	-
	10	70.8	80	20.8	30	50	60	-	-
	15	95.8	100	20.8	30	75	80	-	-
	15 (3 circuit)	95.8	100	20.8	30	50	60	25.0	30
X36K	0	26.7	40	-	-	-	-	-	-
	5	51.7	60	26.7	40	25	30	-	-
	8	66.3	70	26.7	40	39.6	40	-	-
	10	76.7	80	26.7	40	50	60	-	-
	15	101.7	110	26.7	40	75	80	-	-
	15 (3 circuit)	101.7	110	26.7	40	50	60	25.0	30
X48K	0	36.8	50	-	-	-	-	-	-
	5	61.8	70	36.8	50	25.0	30	-	-
	8	76.4	80	36.8	50	39.6	40	-	-
	10	86.8	90	36.8	50	50.0	60	-	-
	15	111.8	125	36.8	50	75.0	80	-	-
	15 (3 circuit)	111.8	125	36.8	50	50.0	60	25.0	30

Table 21. (*)Q8SF / PPH3SF, Single Phase

ELECTRICAL DATA continued

Model (*)P94RD, SINGLE PHASE, 208/230V							
Model Number	Heater kW	Single Circuit		Multiple Circuit Option			
				Circuit A (Compressor, Blower, & Fan)		Circuit B (Heater Only)	
		MCA	MOP	MCA	MOP	MCA	MOP
(*)P94RD-018K	0	14.3	20	-	-	-	-
	5	29.8	30	-	-	-	-
	8	44.3	45	-	-	-	-
	10	54.8	60	-	-	-	-
	15	79.8	80	54.8	60	25	25
(*)P94RD-024K	0	16.3	25	-	-	-	-
	5	29.8	30	-	-	-	-
	8	44.3	45	-	-	-	-
	10	54.8	60	-	-	-	-
	15	79.8	80	54.8	60	25	25
(*)P94RD-030K	0	18.7	25	-	-	-	-
	5	29.8	30	-	-	-	-
	8	44.3	45	-	-	-	-
	10	54.8	60	-	-	-	-
	15	79.8	80	54.8	60	25	25
(*)P94RD-036K	0	25.5	40	-	-	-	-
	5	29.8	40	-	-	-	-
	8	44.3	45	-	-	-	-
	10	54.8	60	-	-	-	-
	15	79.8	80	54.8	60	25	25
(*)P94RD-042K	0	30.1	45	-	-	-	-
	5	31.8	45	-	-	-	-
	8	46.3	50	-	-	-	-
	10	56.8	60	-	-	-	-
	15	81.8	90	56.8	60	25	25
	20	106.8	110	56.8	60	50	50
(*)P94RD-048K	0	38.2	60	-	-	-	-
	5	38.2	60	-	-	-	-
	8	46.3	60	-	-	-	-
	10	56.8	60	38.2	60	50	50
	15	81.8	90	56.8	60	25	25
	20	106.8	110	56.8	60	50	50
(*)P94RD-060K	0	41.4	60	-	-	-	-
	5	41.4	60	-	-	-	-
	8	48.3	60	41.4	60	39.6	40
	10	58.8	60	41.4	60	50	50
	15	83.8	90	58.8	60	25	25
	20	108.8	110	58.8	60	50	50

Table 22. (*)P94RD, Single Phase

ELECTRICAL DATA continued

Model (*)Q94RD, SINGLE PHASE, 208/230V									
Model Number	Heater kW	Single Circuit		Multiple Circuit Option					
				Circuit A (Compressor, Blower, & Fan)		Circuit B (Heater Only)		Circuit C (Heater Only)	
		MCA	MOP	MCA	MOP	MCA	MOP	MCA	MOP
(*)Q94RD-024K	0	16.2	25	-	-	-	-	-	-
	5	41.2	45	-	-	-	-	-	-
	8	55.7	60	-	-	-	-	-	-
	10	66.2	70	16.2	25	50.0	50	-	-
	15	91.2	100	41.2	45	50.0	50	-	-
(*)Q94RD-030K	0	18.7	30	-	-	-	-	-	-
	5	43.7	50	-	-	-	-	-	-
	8	58.3	60	18.7	30	39.6	40	-	-
	10	68.7	70	18.7	30	50.0	50	-	-
	15	93.7	100	43.7	50	50.0	50	-	-
(*)Q94RD-036K	0	24.6	40	-	-	-	-	-	-
	5	49.6	60	-	-	-	-	-	-
	8	64.2	70	24.6	40	39.6	40	-	-
	10	74.6	80	24.6	40	50.0	50	-	-
	15	99.6	100	49.6	60	50.0	50	-	-
(*)Q94RD-042K	0	29.3	45	-	-	-	-	-	-
	5	54.3	60	-	-	-	-	-	-
	8	68.9	70	29.3	45	39.6	40	-	-
	10	79.3	80	29.3	45	50.0	50	-	-
	15	104.3	110	54.3	60	50.0	50	-	-
	20	129.3	150	29.3	45	50.0	50	50.0	50
(*)Q94RD-048K	0	31.4	50	-	-	-	-	-	-
	5	56.4	70	31.4	50	25.0	25	-	-
	8	70.9	80	31.4	50	39.6	40	-	-
	10	81.4	90	31.4	50	50.0	50	-	-
	15	106.4	110	31.4	50	25.0	25	50.0	50
	20	131.4	150	31.4	50	50.0	50	50.0	50
(*)Q94RD-060K	0	44.5	70	-	-	-	-	-	-
	5	69.5	90	44.5	70	25.0	25	-	-
	8	84.0	100	44.5	70	39.6	40	-	-
	10	94.5	110	44.5	70	50.0	50	-	-
	15	119.5	125	44.5	70	25.0	25	50.0	50
	20	144.5	150	44.5	70	50.0	50	50.0	50

Table 23. (*)Q94RD, Single Phase

ELECTRICAL DATA continued

Model (*)Q104SD, SINGLE PHASE, 208/230V									
Model Number	Heater kW	Single Circuit		Multiple Supply Circuit Option					
				Circuit A (Compressor, Blower & Fan)		Circuit B (Heater Only)		Circuit C (Heater Only)	
		MCA	MOP	MCA	MOP	MCA	MOP	MCA	MOP
(*)Q104SD-X24K	0	16.2	25	-	-	-	-	-	-
	5	41.2	45	-	-	-	-	-	-
	8	55.7	60	-	-	-	-	-	-
	10	66.2	70	16.2	25	50.0	50	-	-
	15	91.2	100	41.2	45	50.0	50	-	-
(*)Q104SD-X30K	0	18.7	30	-	-	-	-	-	-
	5	43.7	50	-	-	-	-	-	-
	8	58.3	60	18.7	30	39.6	40	-	-
	10	68.7	70	18.7	30	50.0	50	-	-
	15	93.7	100	43.7	50	50.0	50	-	-
(*)Q104SD-X36K	0	24.6	40	-	-	-	-	-	-
	5	49.6	60	-	-	-	-	-	-
	8	64.2	70	24.6	40	39.6	40	-	-
	10	74.6	80	24.6	40	50.0	50	-	-
	15	99.6	100	49.6	60	50.0	50	-	-
(*)Q104SD-X42K	0	29.3	45	-	-	-	-	-	-
	5	54.3	60	-	-	-	-	-	-
	8	68.9	70	29.3	45	39.6	40	-	-
	10	79.3	80	29.3	45	50.0	50	-	-
	15	104.3	110	54.3	60	50.0	50	-	-
	20	129.3	150	29.3	45	50.0	50	50.0	50
(*)Q104SD-X48K	0	31.4	50	-	-	-	-	-	-
	5	56.4	70	31.4	50	25.0	25	-	-
	8	70.9	80	31.4	50	39.6	40	-	-
	10	81.4	90	31.4	50	50.0	50	-	-
	15	106.4	110	31.4	50	25.0	25	50.0	50
	20	131.4	150	31.4	50	50.0	50	50.0	50
(*)Q104SD-X60K	0	44.5	70	-	-	-	-	-	-
	5	69.5	90	44.5	70	25.0	25	-	-
	8	84.0	100	44.5	70	39.6	40	-	-
	10	94.5	110	44.5	70	50.0	50	-	-
	15	119.5	125	44.5	70	25.0	25	50.0	50
	20	144.5	150	44.5	70	50.0	50	50.0	50

Table 24. (*)Q104SD, Single Phase

AIRFLOW DATA

MODEL (*)P7RE / PPA3RE, SINGLE PHASE																	
MODEL NUMBER	BLOWER SETTING	EXTERNAL STATIC PRESSURE DROP - INCHES WATER COLUMN															
		0.1		0.2		0.3		0.4		0.5		0.6		0.7		0.8	
		CFM	HEAT RISE	CFM	HEAT RISE	CFM	HEAT RISE	CFM	HEAT RISE	CFM	HEAT RISE	CFM	HEAT RISE	CFM	HEAT RISE	CFM	HEAT RISE
018K	Tap T1	609	52	541	58	522	61	450	70	390	81	333	95	-	-	-	-
	Tap T2*	729	43	690	46	651	49	599	53	542	58	475	67	421	75	357	88
	Tap T3	859	37	813	39	768	41	724	44	673	47	609	52	555	57	497	64
	Tap T4**	1123	28	1100	29	1065	30	1023	31	978	32	929	34	877	36	820	39
	Tap T5	1359	23	1320	24	1302	24	1280	25	1243	25	1205	26	1162	27	1112	28
024K	Tap T1*	950	33	823	38	881	36	832	38	788	40	722	44	655	48	593	53
	Tap T2**	1123	28	1100	29	1065	30	1023	31	978	32	929	34	877	36	820	39
	Tap T3	1189	27	1158	27	1141	28	1084	29	1047	30	1009	31	959	33	906	35
	Tap T4	1291	24	1246	25	1236	26	1195	26	1161	27	1120	28	1075	29	1031	31
	Tap T5	1359	23	1320	24	1302	24	1280	25	1243	25	1205	26	1162	27	1112	28
030K	Tap T1	965	33	910	35	870	36	800	39	720	44	665	48	615	51	560	56
	Tap T2**	1100	29	1050	30	1010	31	955	33	890	35	830	38	750	42	700	45
	Tap T3*	1160	27	1120	28	1080	29	1030	31	980	32	930	34	880	36	800	39
	Tap T4	1440	22	1400	23	1360	23	1320	24	1280	25	1220	26	1180	27	1120	28
	Tap T5	1560	20	1530	21	1490	21	1440	22	1400	23	1360	23	1310	24	1270	25
036K	Tap T1**	1215	26	1175	27	1130	28	1075	29	1020	31	970	33	900	35	840	38
	Tap T2	1313	24	1277	25	1236	26	1190	27	1153	27	1104	29	1051	30	992	32
	Tap T3	1460	22	1415	22	1385	23	1335	24	1275	25	1225	26	1170	27	1120	28
	Tap T4*	1502	21	1466	22	1437	22	1388	23	1345	23	1305	24	1251	25	1204	26
	Tap T5	1565	20	1525	21	1490	21	1450	22	1410	22	1370	23	1315	24	1270	25
042K	Tap T1*	1375	23	1345	23	1310	24	1275	25	1240	25	1205	26	1160	27	1120	28
	Tap T2**	1470	21	1435	22	1400	23	1370	23	1335	24	1300	24	1260	25	1215	26
	Tap T3	1600	20	1570	20	1535	21	1505	21	1470	21	1440	22	1400	23	1355	23
	Tap T4	1715	18	1680	19	1650	19	1620	20	1585	20	1545	20	1505	21	1470	21
	Tap T5	1895	17	1865	17	1830	17	1795	18	1760	18	1730	18	1695	19	1655	19
048K	Tap T1	1375	23	1345	23	1310	24	1275	25	1240	25	1205	26	1160	27	1120	28
	Tap T2**	1470	21	1435	22	1400	23	1370	23	1335	24	1300	24	1260	25	1215	26
	Tap T3*	1600	20	1570	20	1535	21	1505	21	1470	21	1440	22	1400	23	1355	23
	Tap T4	1715	18	1680	19	1650	19	1620	20	1585	20	1545	20	1505	21	1470	21
	Tap T5	1895	17	1865	17	1830	17	1795	18	1760	18	1730	18	1695	19	1655	19
X60K	Tap T1**	1390	23	1350	23	1310	24	1270	25	1240	25	1205	26	1160	27	1120	28
	Tap T2	1540	21	1510	21	1480	21	1440	22	1410	22	1380	23	1340	24	1310	24
	Tap T3	1700	19	1670	19	1630	19	1600	20	1580	20	1540	21	1510	21	1480	21
	Tap T4*	1770	18	1740	18	1700	19	1660	19	1640	19	1600	20	1580	20	1540	21
	Tap T5	2080	15	2030	16	2020	16	1970	16	1940	16	1910	17	1870	17	1840	17

NOTES:

Temperature rises shaded gray are for reference only. These conditions are not recommended.

* Denotes factory set cooling speed.

** Denotes factory set electric heating speed.

Table 25. (*)P7RE / PPA3RE, Single Phase

AIRFLOW DATA continued

MODEL (*)P7RF / PPA3RF, SINGLE PHASE																	
MODEL NUMBER	BLOWER SETTING	EXTERNAL STATIC PRESSURE DROP - INCHES WATER COLUMN															
		0.1		0.2		0.3		0.4		0.5		0.6		0.7		0.8	
		CFM	HEAT RISE	CFM	HEAT RISE	CFM	HEAT RISE	CFM	HEAT RISE	CFM	HEAT RISE	CFM	HEAT RISE	CFM	HEAT RISE	CFM	HEAT RISE
X24K	Tap T1*	467	68	443	71	417	76	343	92	272	116	-	-	-	-	-	-
	Tap T2**	872	36	828	38	795	40	740	43	689	46	628	50	580	54	534	59
	Tap T3***	1115	28	1079	29	1043	30	1006	31	964	33	916	34	866	36	819	39
	Tap T4	1244	25	1207	26	1173	27	1136	28	1102	29	1064	30	1011	31	965	33
	Tap T5	1496	21	1465	22	1437	22	1407	22	1370	23	1331	24	1295	24	1257	25
X36K	Tap T1*	900	35	865	37	818	39	767	41	696	45	646	49	592	53	547	58
	Tap T2***	1131	28	1096	29	1058	30	1021	31	968	33	916	34	858	37	792	40
	Tap T3**	1344	24	1313	24	1270	25	1231	26	1197	26	1156	27	1106	29	1046	30
	Tap T4	1507	21	1475	21	1441	22	1401	23	1362	23	1326	24	1281	25	1230	26
	Tap T5	1602	20	1570	20	1533	21	1501	21	1463	22	1418	22	1383	23	1336	24
X48	Tap T1*	1062	30	1023	31	985	32	956	33	921	34	860	37	813	39	766	41
	Tap T2***	1079	29	1039	30	1006	31	969	33	927	34	870	36	842	38	777	41
	Tap T3	1398	23	1356	23	1317	24	1277	25	1238	26	1200	26	1160	27	1115	28
	Tap T4**	1654	19	1623	19	1572	20	1542	20	1509	21	1468	22	1428	22	1394	23
	Tap T5	1982	16	1955	16	1921	16	1881	17	1851	17	1812	17	1782	18	1741	18
X60	Tap T1***	1079	29	1039	30	1006	31	969	33	927	34	870	36	842	38	777	41
	Tap T2*	1238	26	1216	26	1181	27	1135	28	1099	29	1057	30	1023	31	964	33
	Tap T3	1610	20	1582	20	1551	20	1514	21	1475	21	1449	22	1412	22	1372	23
	Tap T4**	1827	17	1794	18	1773	18	1741	18	1694	19	1657	19	1624	19	1583	20
	Tap T5	2059	15	2026	16	1998	16	1960	16	1933	16	1901	17	1856	17	1827	17

NOTES:

Temperature rises shaded gray are for reference only. These conditions are not recommended.

* Denotes factory set Low COOL speed.

** Denotes factory set High COOL speed.

*** Denotes factory set electric HEAT speed.

Table 26. (*)P7RF / PPA3RF, Single Phase

MODEL P8SE / PPA3SE, SINGLE PHASE																	
MODEL NUMBER	BLOWER SETTING	EXTERNAL STATIC PRESSURE DROP - INCHES WATER COLUMN															
		0.1		0.2		0.3		0.4		0.5		0.6		0.7		0.8	
		CFM	HEAT RISE	CFM	HEAT RISE	CFM	HEAT RISE	CFM	HEAT RISE	CFM	HEAT RISE	CFM	HEAT RISE	CFM	HEAT RISE	CFM	HEAT RISE
X36	Tap T1**	1091	29	1031	31	995	32	929	34	871	36	774	41	704	45	629	50
	Tap T2	1296	24	1244	25	1169	27	1153	27	1089	29	1030	31	961	33	863	37
	Tap T3*	1525	21	1499	21	1448	22	1391	23	1338	24	1264	25	1221	26	1159	27
	Tap T4	1641	19	1590	20	1543	20	1489	21	1444	22	1386	23	1345	23	1285	25
	Tap T5	1791	18	1740	18	1659	19	1610	20	1555	20	1521	21	1467	22	1414	22
X48	Tap T1**	1264	25	1183	27	1126	28	1051	30	954	33	848	37	774	41	716	44
	Tap T2	1462	22	1397	23	1322	24	1240	25	1181	27	1133	28	1006	31	888	36
	Tap T3*	1776	18	1717	18	1654	19	1573	20	1533	21	1484	21	1422	22	1369	23
	Tap T4	2127	15	2037	16	2008	16	1957	16	1865	17	1801	18	1743	18	1690	19
	Tap T5	2419	13	2355	13	2311	14	2267	14	2194	14	2150	15	2085	15	2027	16
X60	Tap T1**	1209	26	1145	28	1106	29	1020	31	928	34	843	37	776	41	709	45
	Tap T2	1629	19	1550	20	1479	21	1435	22	1369	23	1300	24	1244	25	1139	28
	Tap T3*	1847	17	1800	18	1718	18	1668	19	1611	20	1556	20	1497	21	1449	22
	Tap T4	2128	15	2059	15	1992	16	1961	16	1887	17	1828	17	1779	18	1718	18
	Tap T5	2500	13	2444	13	2417	13	2345	13	2285	14	2228	14	2172	15	2109	15

NOTES:

* Denotes factory set cooling speed.

** Denotes factory set electric heating speed.

Calculations made based on 10kW/H, Airflow performance with Dry Coil.

Table 27. (*)P8SE / PPA3SE, Single Phase

AIRFLOW DATA continued

MODEL P8SE / PPA3SE, 3-PHASE																	
MODEL NUMBER	BLOWER SETTING	EXTERNAL STATIC PRESSURE DROP - INCHES WATER COLUMN															
		0.1		0.2		0.3		0.4		0.5		0.6		0.7		0.8	
		CFM	TEMP RISE	CFM	TEMP RISE	CFM	TEMP RISE	CFM	TEMP RISE	CFM	TEMP RISE	CFM	TEMP RISE	CFM	TEMP RISE	CFM	TEMP RISE
X36D	Tap 1**	1124	25	1040	27	981	29	908	31	824	35	750	38	687	41	623	46
	Tap 2*	1320	22	1266	22	1210	23	1159	25	1100	26	1029	28	945	30	884	32
	Tap 3	1542	18	1479	19	1443	20	1386	21	1329	21	1283	22	1234	23	1182	24
	Tap 4	1642	17	1594	18	1533	19	1492	19	1441	20	1396	20	1340	21	1300	22
	Tap 5	1750	16	1694	17	1642	17	1600	18	1560	18	1510	19	1467	19	1421	20
X48D	Tap 1**	1279	22	1214	23	1134	25	1078	26	1034	27	944	30	855	33	800	36
	Tap 2	1510	19	1452	20	1399	20	1338	21	1294	22	1236	23	1174	24	1059	27
	Tap 3*	1760	16	1711	17	1641	17	1597	18	1545	18	1488	19	1435	20	1386	21
	Tap 4	1949	15	1912	15	1858	15	1789	16	1748	16	1701	17	1646	17	1603	18
	Tap 5	2242	13	2153	13	2110	13	2063	14	2016	14	1965	14	1922	15	1870	15
X60D	Tap 1**	1228	23	1150	25	1074	26	1014	28	956	30	867	33	769	37	705	40
	Tap 2	1670	17	1617	18	1551	18	1497	19	1458	20	1417	20	1342	21	1303	22
	Tap 3*	1926	15	1891	15	1850	15	1783	16	1741	16	1680	17	1634	17	1579	18
	Tap 4	2087	14	2029	14	1981	14	1939	15	1885	15	1834	16	1780	16	1721	17
	Tap 5	2278	12	2233	13	2193	13	2141	13	2098	14	2046	14	2001	14	1943	15
X36C	Tap 1**	1126	25	1065	27	1024	28	940	30	853	33	768	37	702	41	637	45
	Tap 2*	1315	22	1268	22	1206	24	1144	25	1076	26	987	29	907	31	839	34
	Tap 3	1492	19	1438	20	1386	21	1337	21	1287	22	1230	23	1171	24	1062	27
	Tap 4	1587	18	1534	19	1494	19	1439	20	1388	20	1338	21	1280	22	1216	23
	Tap 5	1684	17	1638	17	1591	18	1541	18	1492	19	1444	20	1390	20	1336	21
X48C	Tap 1**	1238	23	1170	24	1108	26	1051	27	986	29	890	32	817	35	755	38
	Tap 2	1403	20	1351	21	1301	22	1232	23	1175	24	1125	25	997	29	955	30
	Tap 3*	1772	16	1727	16	1670	17	1621	18	1568	18	1509	19	1463	19	1399	20
	Tap 4	1968	14	1926	15	1873	15	1823	16	1774	16	1717	17	1665	17	1619	18
	Tap 5	2242	13	2183	13	2143	13	2098	14	2044	14	1995	14	1953	15	1907	15
X60C	Tap 1**	1161	24	1116	25	1084	26	1031	28	954	30	895	32	834	34	779	37
	Tap 2	1553	18	1521	19	1474	19	1437	20	1379	21	1335	21	1276	22	1183	24
	Tap 3*	1862	15	1818	16	1766	16	1731	16	1678	17	1635	17	1599	18	1539	18
	Tap 4	2009	14	1973	14	1923	15	1887	15	1838	15	1796	16	1752	16	1703	17
	Tap 5	2288	12	2246	13	2210	13	2170	13	2132	13	2094	14	2050	14	2014	14

NOTES:

Airflow performance is with a dry coil.

* Denotes factory set cooling speed.

** Denotes factory set electric heating speed.

Calculations made based on 9kW/H.

Table 28. (*)P8SE / PPA3SE, 3-Phase

AIRFLOW DATA continued

MODEL (*)Q6SE SINGLE PHASE																	
UNIT MODEL	BLOWER SETTING	EXTERNAL STATIC PRESSURE DROP - INCHES WATER COLUMN															
		0.1		0.2		0.3		0.4		0.5		0.6		0.7		0.8	
		CFM	TEMP RISE	CFM	TEMP RISE	CFM	TEMP RISE	CFM	TEMP RISE	CFM	TEMP RISE	CFM	TEMP RISE	CFM	TEMP RISE	CFM	TEMP RISE
X24	Tap T1	823	38	784	40	712	44	646	49	580	54	510	62	436	72	-	-
	Tap T2	969	33	924	34	866	36	800	39	717	44	652	48	591	53	522	61
	Tap T3*	1068	30	1010	31	947	33	906	35	814	39	743	43	674	47	617	51
	Tap T4**	1188	27	1142	28	1068	30	1022	31	954	33	861	37	803	39	763	41
	Tap T5	1330	24	1274	25	1221	26	1164	27	1105	29	1044	30	957	33	881	36
X30	Tap T1	890	35	832	38	766	41	687	46	624	51	576	55	502	63	419	75
	Tap T2*	969	33	924	34	866	36	800	39	717	44	652	48	591	53	522	61
	Tap T3**	1188	27	1142	28	1068	30	1022	31	954	33	861	37	803	39	763	41
	Tap T4	1382	23	1334	24	1273	25	1220	26	1164	27	1097	29	1020	31	947	33
	Tap T5	1640	19	1604	20	1547	20	1490	21	1437	22	1381	23	1324	24	1249	25
X36	Tap T1	1137	28	1075	29	1012	31	950	33	863	37	770	41	694	46	619	51
	Tap T2**	1242	25	1187	27	1128	28	1057	30	993	32	921	34	827	38	754	42
	Tap T3*	1418	22	1370	23	1308	24	1251	25	1204	26	1123	28	1064	30	974	32
	Tap T4	1567	20	1515	21	1459	22	1397	23	1338	24	1272	25	1184	27	1107	29
	Tap T5	1700	19	1658	19	1596	20	1534	21	1481	21	1421	22	1358	23	1279	25
X42	Tap T1**	1257	25	1199	26	1133	28	1070	30	982	32	906	35	830	38	761	42
	Tap T2	1374	23	1332	24	1270	25	1220	26	1153	27	1077	29	972	33	901	35
	Tap T3*	1574	20	1520	21	1470	21	1418	22	1356	23	1295	24	1214	26	1095	29
	Tap T4	1733	18	1678	19	1637	19	1575	20	1528	21	1467	22	1408	22	1334	24
	Tap T5	1848	17	1795	18	1741	18	1708	18	1641	19	1593	20	1541	21	1477	21
X48	Tap T1	952	33	901	35	864	37	728	43	672	47	583	54	508	62	-	-
	Tap T2**	1646	19	1593	20	1520	21	1476	21	1417	22	1349	23	1265	25	1198	26
	Tap T3*	1764	18	1705	19	1626	19	1570	20	1525	21	1451	22	1403	23	1304	24
	Tap T4	1962	16	1916	16	1838	17	1787	18	1720	18	1670	19	1595	20	1537	21
	Tap T5	2391	13	2334	14	2301	14	2242	14	2180	14	2132	15	2074	15	2017	16
X60	Tap T1	1088	29	1032	31	958	33	878	36	789	40	715	44	641	49	570	55
	Tap T2**	1764	18	1705	19	1626	19	1570	20	1525	21	1451	22	1403	23	1304	24
	Tap T3*	1962	16	1916	16	1838	17	1787	18	1720	18	1670	19	1595	20	1537	21
	Tap T4	2106	15	2059	15	2000	16	1944	16	1878	17	1828	17	1751	18	1689	19
	Tap T5	2391	13	2334	14	2301	14	2242	14	2180	14	2132	15	2074	15	2017	16

NOTES:

* Denotes factory set cooling speed.

** Denotes factory set electric heating speed.

Heat Rise calculated based on 10kW of electric heat.

Table 29. (*)Q6SE Single Phase

AIRFLOW DATA continued

MODEL (*)Q7RE / PPH3RE, SINGLE PHASE																	
MODEL NUMBER	BLOWER SETTING	HEAT RISE DATA (BASED ON NOMINAL 10KW ELECTRIC HEAT KIT)															
		EXTERNAL STATIC PRESSURE DROP - INCHES WATER COLUMN															
		0.1		0.2		0.3		0.4		0.5		0.6		0.7		0.8	
		CFM	HEAT RISE	CFM	HEAT RISE	CFM	HEAT RISE	CFM	HEAT RISE	CFM	HEAT RISE	CFM	HEAT RISE	CFM	HEAT RISE	CFM	HEAT RISE
024K	Tap T1*	930	34	875	36	818	39	761	42	704	45	645	49	585	54	525	60
	Tap T2	1158	27	1119	28	1076	29	1028	31	977	32	921	34	861	37	796	40
	Tap T3**	1308	24	1271	25	1230	26	1185	27	1136	28	1084	29	1027	31	967	33
	Tap T4	1440	22	1406	22	1368	23	1326	24	1281	25	1232	26	1179	27	1122	28
	Tap T5	1622	19	1587	20	1550	20	1510	21	1467	22	1422	22	1373	23	1323	24
030K	Tap T1	930	34	875	36	818	39	761	42	704	45	645	49	585	54	525	60
	Tap T2*	1158	27	1119	28	1076	29	1028	31	977	32	921	34	861	37	796	40
	Tap T3**	1308	24	1271	25	1230	26	1185	27	1136	28	1084	29	1027	31	967	33
	Tap T4	1440	22	1406	22	1368	23	1326	24	1281	25	1232	26	1179	27	1122	28
	Tap T5	1622	19	1587	20	1550	20	1510	21	1467	22	1422	22	1373	23	1323	24
036K	Tap T1	1158	27	1119	28	1076	29	1028	31	977	32	921	34	861	37	796	40
	Tap T2	1308	24	1271	25	1230	26	1185	27	1136	28	1084	29	1027	31	967	33
	Tap T3*	1266	25	1332	24	1291	24	1245	25	1192	27	1132	28	1067	30	995	32
	Tap T4**	1518	21	1481	21	1442	22	1400	23	1355	23	1307	24	1256	25	1202	26
	Tap T5	1686	19	1644	19	1601	20	1556	20	1509	21	1460	22	1410	22	1358	23
042K	Tap T1	1339	24	1297	24	1254	25	1210	26	1166	27	1121	28	1075	29	1029	31
	Tap T2**	1459	22	1422	22	1383	23	1342	24	1300	24	1256	25	1211	26	1164	27
	Tap T3*	1569	20	1530	21	1491	21	1451	22	1410	22	1368	23	1625	19	1282	25
	Tap T4	1709	18	1674	19	1638	19	1601	20	1562	20	1521	21	1479	21	1436	22
	Tap T5	1820	17	1785	18	1748	18	1710	18	1671	19	1630	19	1589	20	1545	20
048K	Tap T1**	1418	22	1385	23	1351	23	1316	24	1279	25	1242	25	1203	26	1163	27
	Tap T2	1530	21	1500	21	1467	22	1433	22	1396	23	1358	23	1318	24	1275	25
	Tap T3*	1679	19	1645	19	1611	20	1576	20	1541	21	1505	21	1469	22	1432	22
	Tap T4	1787	18	1757	18	1726	18	1693	19	1658	19	1621	19	1582	20	1542	20
	Tap T5	2006	16	1973	16	1939	16	1905	17	1870	17	1834	17	1798	18	1761	18
060K	Tap T1**	1214	26	1142	28	1067	30	997	32	905	35	794	40	700	45	742	43
	Tap T2	1713	18	1625	19	1547	20	1451	22	1360	23	1261	25	1165	27	1028	31
	Tap T3	2153	15	2063	15	1983	16	1884	17	1799	18	1700	19	1604	20	1482	21
	Tap T4*	2359	13	2250	14	2159	15	2053	15	1935	16	1839	17	1710	18	1576	20
	Tap T5	2457	13	2355	13	2265	14	2166	15	2068	15	1956	16	1837	17	1726	18

NOTES:

* Denotes factory set for cooling & heating speed (black wire).

** Denotes factory set auxiliary heating speed – tested with 10kW (red wire)

Airflow performance is with a dry coil.

Table 30. (*)Q7RE / PPH3RE, Single Phase

AIRFLOW DATA continued

MODEL (*)Q7RF / PPH3RF, SINGLE PHASE																	
MODEL NUMBER	BLOWER SETTING	EXTERNAL STATIC PRESSURE DROP - INCHES WATER COLUMN															
		0.1		0.2		0.3		0.4		0.5		0.6		0.7		0.8	
		CFM	HEAT RISE	CFM	HEAT RISE	CFM	HEAT RISE	CFM	HEAT RISE	CFM	HEAT RISE	CFM	HEAT RISE	CFM	HEAT RISE	CFM	HEAT RISE
X24K	Tap T1*	686	46	651	49	621	51	589	54	530	60	477	-	431	-	382	-
	Tap T2**	926	34	884	36	861	37	827	38	785	40	734	43	676	47	622	51
	Tap T3***	1184	27	1161	27	1134	28	1109	28	1075	29	1041	30	1002	32	962	33
	Tap T4	1383	23	1360	23	1330	24	1303	24	1277	25	1246	25	1215	26	1137	28
	Tap T5	1537	21	1510	21	1487	21	1459	22	1437	22	1412	22	1382	23	1350	23
X36K	Tap T1*	1004	31	972	33	938	34	897	35	845	37	779	41	739	43	668	47
	Tap T2***	1167	27	1132	28	1100	29	1061	30	1020	31	979	32	921	34	851	37
	Tap T3**	1355	23	1320	24	1282	25	1247	25	1209	26	1168	27	1121	28	1066	30
	Tap T4	1510	21	1477	21	1441	22	1403	23	1366	23	1330	24	1288	25	1243	25
	Tap T5	1648	19	1614	20	1578	20	1544	20	1512	21	1473	21	1434	22	1393	23
X48	Tap T1*	1108	29	1063	30	1031	31	987	32	939	34	894	35	850	37	808	39
	Tap T2***	1108	29	1063	30	1031	31	987	32	939	34	894	35	850	37	808	39
	Tap T3**	1666	19	1629	19	1587	20	1572	20	1542	20	1507	21	1477	21	1431	22
	Tap T4	1884	17	1824	17	1795	18	1762	18	1730	18	1707	19	1671	19	1634	19
	Tap T5	1979	16	1948	16	1925	16	1892	17	1861	17	1834	17	1804	18	1766	18
X60	Tap T1***	923	34	875	36	799	40	735	43	677	47	623	51	579	55	543	58
	Tap T2*	1335	24	1295	24	1259	25	1214	26	1183	27	1144	28	1117	28	1063	30
	Tap T3	1754	18	1721	18	1684	19	1660	19	1634	19	1597	20	1568	20	1541	21
	Tap T4**	2045	15	2022	16	1983	16	1950	16	1921	16	1894	17	1869	17	1826	17
	Tap T5	2253	14	2218	14	2187	14	2153	15	2117	15	2091	15	2057	15	2021	16

NOTES:

Temperature rises shaded gray are for reference only. These conditions are not recommended.

* Denotes factory set Low COOL speed.

** Denotes factory set High COOL speed.

*** Denotes factory set electric HEAT speed.

Table 31. (*)Q7RF / PPH3RF, Single Phase

AIRFLOW DATA continued

MODEL (*)Q8SF / PPH3SF, SINGLE PHASE																				
MODEL NUMBER	SWITCH SETTINGS 0 = OFF, 1 = ON				COOLING OR HEATING AIRFLOW (CFM)															
					0.1		0.2		0.3		0.4		0.5		0.6		0.7		0.8	
					CFM	TEMP RISE	CFM	TEMP RISE	CFM	TEMP RISE	CFM	TEMP RISE	CFM	TEMP RISE	CFM	TEMP RISE	CFM	TEMP RISE	CFM	TEMP RISE
X24K	0	0	0	0	840	38	745	42	655	48	590	54	520	61	430	73	345	92	320	99
	1	0	0	0	920	34	850	37	780	41	695	45	615	51	540	59	465	68	420	75
	*0	1	0	0	1025	31	960	33	890	35	800	39	710	44	645	49	575	55	535	59
	1	1	0	0	1110	28	1050	30	990	32	900	35	805	39	745	42	685	46	610	52
	0	0	1	0	1165	27	1120	28	1070	30	975	32	875	36	815	39	750	42	715	44
	1	0	1	0	1235	26	1190	27	1140	28	1070	30	995	32	905	35	820	39	800	39
	**0	1	1	0	1335	24	1285	25	1235	26	1170	27	1110	28	1010	31	910	35	850	37
	1	1	1	0	1400	23	1355	23	1310	24	1250	25	1185	27	1090	29	990	32	925	34
	0	0	0	1	1455	22	1410	22	1360	23	1295	24	1235	26	1140	28	1045	30	985	32
	1	0	0	1	1515	21	1465	22	1420	22	1355	23	1290	24	1215	26	1145	28	1055	30
	0	1	0	1	1590	20	1540	21	1490	21	1440	22	1390	23	1325	24	1260	25	1160	27
	1	1	0	1	1640	19	1593	20	1545	20	1500	21	1450	22	1385	23	1320	24	1220	26
	0	0	1	1	1690	19	1645	19	1600	20	1550	20	1500	21	1440	22	1375	23	1280	25
	1	0	1	1	1740	18	1695	19	1645	19	1600	20	1555	20	1495	21	1435	22	1360	23
	0	1	1	1	1805	18	1760	18	1710	18	1665	19	1615	20	1555	20	1500	21	1440	22
1	1	1	1	1850	17	1800	18	1755	18	1705	19	1660	19	1610	20	1555	20	1495	21	
X36K	0	0	0	0	700	45	625	51	545	58	475	67	400	79	370	85	343	92	-	-
	1	0	0	0	824	38	760	42	695	45	620	51	550	57	500	63	450	70	395	80
	0	1	0	0	1005	31	935	34	860	37	790	40	720	44	660	48	605	52	510	62
	1	1	0	0	1130	28	1055	30	975	32	905	35	835	38	775	41	710	44	605	52
	**0	0	1	0	1285	25	1230	26	1175	27	1090	29	1000	32	955	33	910	35	755	42
	*1	0	1	0	1420	22	1400	23	1375	23	1335	24	1295	24	1270	25	1250	25	900	35
	0	1	1	0	1540	21	1480	21	1420	22	1370	23	1320	24	1250	25	1180	27	1025	31
	1	1	1	0	1635	19	1585	20	1530	21	1470	21	1410	22	1350	23	1290	24	1130	28
	0	0	0	1	1750	18	1695	19	1640	19	1580	20	1520	21	1460	22	1405	22	1270	25
	1	0	0	1	1855	17	1805	18	1755	18	1700	19	1645	19	1595	20	1540	21	1400	23
	0	1	0	1	1955	16	1910	17	1860	17	1800	18	1745	18	1695	19	1640	19	1515	21
	1	1	0	1	2020	16	1973	16	1925	16	1870	17	1815	17	1770	18	1720	18	1615	20
	0	0	1	1	2100	15	2055	15	2010	16	1960	16	1905	17	1860	17	1810	17	1705	19
	1	0	1	1	2175	15	2125	15	2075	15	2025	16	1975	16	1920	16	1865	17	1760	18
	0	1	1	1	2270	14	2205	14	2140	15	2085	15	2030	16	1985	16	1945	16	1835	17
1	1	1	1	2320	14	2265	14	2210	14	2160	15	2110	15	2060	15	2015	16	1915	16	
X48K	0	0	0	0	900	35	775	41	645	49	520	61	400	79	-	-	-	-	-	-
	1	0	0	0	1010	31	895	35	785	40	670	47	555	57	-	-	-	-	-	-
	0	1	0	0	1135	28	1055	30	975	32	860	37	745	42	675	47	605	52	515	61
	1	1	0	0	1280	25	1184	27	1090	29	1000	32	910	35	830	38	750	42	610	52
	**0	0	1	0	1395	23	1325	24	1250	25	1160	27	1065	30	1000	32	935	34	780	41
	1	0	1	0	1525	21	1445	22	1365	23	1290	24	1215	26	1130	28	1045	30	915	35
	0	1	1	0	1630	19	1555	20	1480	21	1420	22	1360	23	1290	24	1215	26	1085	29
	*1	1	1	0	1725	18	1665	19	1605	20	1535	21	1470	21	1400	23	1330	24	1180	27
	0	0	0	1	1825	17	1765	18	1710	18	1650	19	1595	20	1535	21	1470	21	1345	23
	1	0	0	1	1880	17	1830	17	1780	18	1725	18	1670	19	1615	20	1555	20	1440	22
	0	1	0	1	1975	16	1920	16	1865	17	1820	17	1770	18	1725	18	1680	19	1560	20
	1	1	0	1	2065	15	2005	16	1940	16	1895	17	1845	17	1790	18	1740	18	1635	19
	0	0	1	1	2120	15	2070	15	2025	16	1970	16	1915	16	1875	17	1830	17	1730	18
	1	0	1	1	2210	14	2155	15	2095	15	2040	15	1985	16	1945	16	1905	17	1805	18
	0	1	1	1	2230	14	2190	14	2150	15	2100	15	2045	15	2000	16	1950	16	1860	17
1	1	1	1	2355	13	2290	14	2220	14	2185	14	2145	15	2100	15	2050	15	1955	16	

NOTES:

Compressor high and low heating and cooling airflows are the Same. Compressor low heating and cooling airflows are approximate 70% of high values.

* Denotes factory set cooling speed.

** Denotes factory set electric heating speed.

Emergency heat has only high speed settings.

Heat rise calculated based on 10kW of electric heat.

Table 32. (*)Q8SF / PPH3SF, Single Phase

AIRFLOW DATA continued

Model (*)Q94RD, SINGLE PHASE, 208/230V Airflow Data																	
MODEL NUMBER	BLOWER SETTING	EXTERNAL STATIC PRESSURE DROP - INCHES OF WATER COLUMN															
		0.1		0.2		0.3		0.4		0.5		0.6		0.7		0.8	
		CFM	Rise	CFM	Rise	CFM	Rise	CFM	Rise	CFM	Rise	CFM	Rise	CFM	Rise	CFM	Rise
(*)Q94RD-024K	Tap T1	1009	31	951	33	910	35	856	37	797	40	725	44	660	48	605	52
	Tap T2**	1146	28	1102	29	1049	30	1004	31	955	33	898	35	829	38	761	42
	Tap T3*	1,198	26	1,154	27	1,107	29	1,059	30	1,010	31	959	33	895	35	827	38
	Tap T4	1,290	24	1,242	25	1,197	26	1,150	27	1,102	29	1,049	30	1,003	31	939	34
	Tap T5	1,425	22	1,383	23	1,334	24	1,287	25	1,246	25	1,194	26	1,149	27	1,092	29
(*)Q94RD-030K	Tap T1	1009	31	951	33	910	35	856	37	797	40	725	44	660	48	605	52
	Tap T2**	1,146	28	1,102	29	1,049	30	1,004	31	955	33	898	35	829	38	761	42
	Tap T3	1,290	24	1,242	25	1,197	26	1,150	27	1,102	29	1,049	30	1,003	31	939	34
	Tap T4*	1,397	23	1,353	23	1,306	24	1,262	25	1,213	26	1,168	27	1,120	28	1,060	30
	Tap T5	1,546	20	1,505	21	1,467	22	1,417	22	1,366	23	1,320	24	1,272	25	1,223	26
(*)Q94RD-036K	Tap T1	1146	28	1107	29	1056	30	1004	31	960	33	910	35	842	38	782	40
	Tap T2**	1269	25	1,232	26	1197	26	1146	28	1098	29	1056	30	993	32	932	34
	Tap T3	1400	23	1,363	23	1316	24	1276	25	1229	26	1,191	27	1,142	28	1087	29
	Tap T4*	1485	21	1,445	22	1404	23	1366	23	1325	24	1,282	25	1,236	26	1,184	27
	Tap T5	1612	20	1,571	20	1530	21	1492	21	1453	22	1,409	22	1,364	23	1,322	24
(*)Q94RD-042K	Tap T1	1,512	21	1,459	22	1,443	22	1,400	23	1,367	23	1,335	24	1,298	24	1,271	25
	Tap T2**	1,627	19	1,596	20	1,558	20	1,534	21	1,503	21	1,467	22	1,433	22	1,400	23
	Tap T3	1,734	18	1,700	19	1,670	19	1,642	19	1,606	20	1,575	20	1,543	20	1,509	21
	Tap T4*	1,840	17	1,813	17	1,780	18	1,750	18	1,716	18	1,685	19	1,650	19	1,613	20
	Tap T5	1,942	16	1,920	16	1,884	17	1,853	17	1,821	17	1,787	18	1,752	18	1,713	18
(*)Q94RD-048K	Tap T1	1,474	21	1,417	22	1,379	23	1,344	24	1,304	24	1,266	25	1,230	26	1,184	27
	Tap T2**	1,590	20	1,559	20	1,519	21	1,467	22	1,439	22	1,396	23	1,360	23	1,320	24
	Tap T3*	1,749	18	1,711	18	1,665	19	1,633	19	1,589	20	1,551	20	1,514	21	1,476	21
	Tap T4	1,913	17	1,873	17	1,835	17	1,802	18	1,760	18	1,718	18	1,688	19	1,643	19
	Tap T5	2,097	15	2,052	15	2,016	16	1,980	16	1,939	16	1,894	17	1,856	17	1,814	17
(*)Q94RD-060K	Tap T1	1,455	22	1,412	22	1,362	23	1,323	24	1,277	25	1,238	26	1,188	27	1,160	27
	Tap T2**	1,668	19	1,627	19	1,599	20	1,558	20	1,521	21	1,478	21	1,444	22	1,405	22
	Tap T3	1,854	17	1,809	17	1,783	18	1,745	18	1,707	19	1,667	19	1,629	19	1,593	20
	Tap T4*	2,008	16	1,976	16	1,939	16	1,904	17	1,875	17	1,833	17	1,801	18	1,760	18
	Tap T5	2,174	15	2,133	15	2,101	15	2,066	15	2,038	16	2,002	16	1,969	16	1,932	16

NOTES:

1. * Denotes factory set cooling speed.
2. ** Denotes factory set electric heating speed.
3. Heat rise calculated based on **10kW** of electric heat using formula (kW x 3413) / 1.08 / CFM
4. Temperature rises in tables are approximate. Actual temperature rises may vary.
5. Shaded areas are not approved for proper electric heat operation above 40° F rise. (For reference only)
6. Deduct approximately 3% from airflow shown for 208V applications.

Table 33. (*)Q94RD, Single Phase

AIRFLOW DATA continued

Model (*)Q104SD, SINGLE PHASE, 208/230V Airflow Data																	
MODEL NUMBER	BLOWER SETTING	EXTERNAL STATIC PRESSURE DROP - INCHES OF WATER COLUMN															
		0.1		0.2		0.3		0.4		0.5		0.6		0.7		0.8	
		CFM	Rise	CFM	Rise	CFM	Rise	CFM	Rise	CFM	Rise	CFM	Rise	CFM	Rise	CFM	Rise
(*)Q104SD-X24K	Tap T1	825	38.4	785	40.3	710	44.4	645	48.9	580	54.5	510	62.0	435	72.5	-	-
	Tap T2	970	32.6	925	34.2	865	36.5	800	39.5	715	44.1	650	48.5	590	53.5	520	60.5
	Tap T3 **	1070	29.6	1010	31.3	945	33.4	905	34.9	815	38.8	745	42.5	675	46.9	615	51.2
	Tap T4 *	1190	26.6	1140	27.7	1070	29.6	1020	30.9	955	33.1	860	36.7	805	39.3	765	41.4
	Tap T5	1330	23.8	1275	24.8	1220	25.9	1165	27.1	1105	28.6	1045	30.3	955	33.0	880	35.9
(*)Q104SD-X30K	Tap T1	890	35.5	830	38.0	765	41.3	685	46.0	625	50.6	575	54.9	500	62.9	420	75.4
	Tap T2	970	32.6	925	34.2	865	36.5	800	39.5	715	44.1	650	48.5	590	53.5	520	60.5
	Tap T3 **	1190	26.6	1140	27.7	1070	29.6	1020	30.9	955	33.1	860	36.7	805	39.3	765	41.4
	Tap T4 *	1380	22.9	1335	23.7	1275	24.8	1220	25.9	1165	27.1	1095	28.8	1020	31.0	945	33.4
	Tap T5	1640	19.3	1605	19.7	1545	20.4	1490	21.2	1435	22.0	1380	22.9	1325	23.9	1250	25.3
(*)Q104SD-X36K	Tap T1	1135	27.8	1075	29.4	1010	31.2	950	33.3	865	36.6	770	41.0	695	45.5	620	51.0
	Tap T2 **	1240	25.4	1185	26.6	1130	28.0	1055	29.9	995	31.8	920	34.3	825	38.2	755	41.9
	Tap T3	1420	22.3	1370	23.1	1310	24.2	1250	25.3	1205	26.2	1125	28.1	1065	29.7	975	32.4
	Tap T4 *	1630	19.4	1590	19.9	1530	20.7	1465	21.6	1410	22.4	1345	23.5	1270	24.9	1195	26.4
	Tap T5	1700	18.6	1660	19.1	1595	19.8	1535	20.6	1480	21.3	1420	22.2	1360	23.3	1280	24.7
(*)Q104SD-X42K	Tap T1 **	1260	25.1	1200	26.4	1135	27.9	1070	29.5	980	32.2	905	34.9	830	38.1	760	41.5
	Tap T2	1375	23.0	1330	23.7	1270	24.9	1220	25.9	1155	27.4	1075	29.3	970	32.5	900	35.1
	Tap T3	1575	20.1	1520	20.8	1470	21.5	1420	22.3	1355	23.3	1295	24.4	1215	26.0	1095	28.9
	Tap T4 *	1655	19.1	1600	19.8	1555	20.3	1500	21.1	1445	21.9	1380	22.9	1315	24.0	1215	26.0
	Tap T5	1850	17.1	1795	17.6	1740	18.2	1710	18.5	1640	19.3	1595	19.8	1540	20.5	1475	21.4
(*)Q104SD-X48K	Tap T1	950	33.2	900	35.1	865	36.6	730	43.4	670	47.0	585	54.2	510	62.2	-	-
	Tap T2 **	1645	19.2	1595	19.8	1520	20.8	1475	21.4	1415	22.3	1350	23.4	1265	25.0	1200	26.4
	Tap T3	1765	17.9	1705	18.5	1625	19.4	1570	20.1	1525	20.7	1450	21.8	1405	22.5	1305	24.2
	Tap T4 *	1995	15.8	1945	16.2	1875	16.8	1790	17.6	1725	18.3	1660	19.0	1610	19.6	1550	20.4
	Tap T5	2390	13.2	2335	13.5	2300	13.7	2240	14.1	2180	14.5	2130	14.8	2075	15.2	2015	15.7
(*)Q104SD-X60K	Tap T1	1090	29.0	1030	30.6	960	33.0	880	36.0	790	40.0	715	44.2	640	49.3	570	55.4
	Tap T2 **	1765	17.9	1705	18.5	1625	19.4	1570	20.1	1525	20.7	1450	21.8	1405	22.5	1305	24.2
	Tap T3	2000	15.8	1945	16.2	1890	16.7	1835	17.2	1785	17.7	1735	18.2	1690	18.7	1635	19.3
	Tap T4 *	2235	14.1	2180	14.5	2125	14.9	2075	15.2	2035	15.5	1985	15.9	1940	16.3	1895	16.7
	Tap T5	2390	13.2	2335	13.5	2300	13.7	2240	14.1	2180	14.5	2130	14.8	2075	15.2	2015	15.7

NOTES:

- * Denotes factory set cooling speed.
- ** Denotes factory set electric heating speed.
- Heat rise calculated based on **10kW** of electric heat using formula $(kW \times 3413) / 1.08 / CFM$
- Temperature rises in tables are approximate. Actual temperature rises may vary.
- Shaded areas are not approved for proper electric heat operation above 40F rise. (For reference only)
- Deduct approximately 3% from airflow shown for 208V applications.

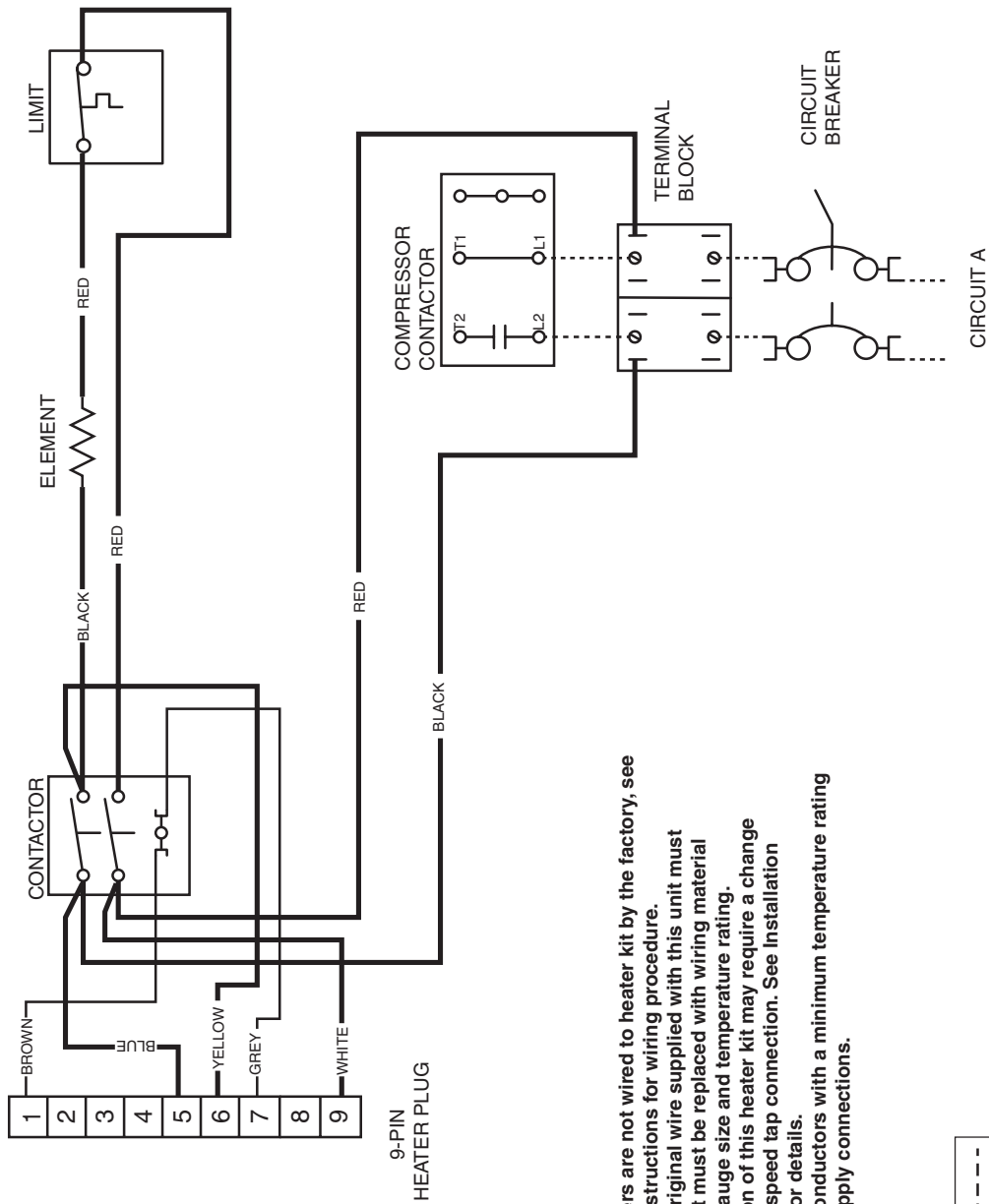
Table 34. (*)Q104SD, Single Phase

WIRING DIAGRAM

H3HK005H-01C

240VAC

5 kW, 1-Circuit, 1-Phase Electric Heater Kit



- NOTES:**
1. Circuit breakers are not wired to heater kit by the factory, see Installation Instructions for wiring procedure.
 2. If any of the original wire supplied with this unit must be replaced, it must be replaced with wiring material of the same gauge size and temperature rating. The installation of this heater kit may require a change in the blower speed tap connection. See Installation Instructions for details.
 3. Use copper conductors with a minimum temperature rating of 60 C for supply connections.



711440B
(Replaces 711440A)
08/15

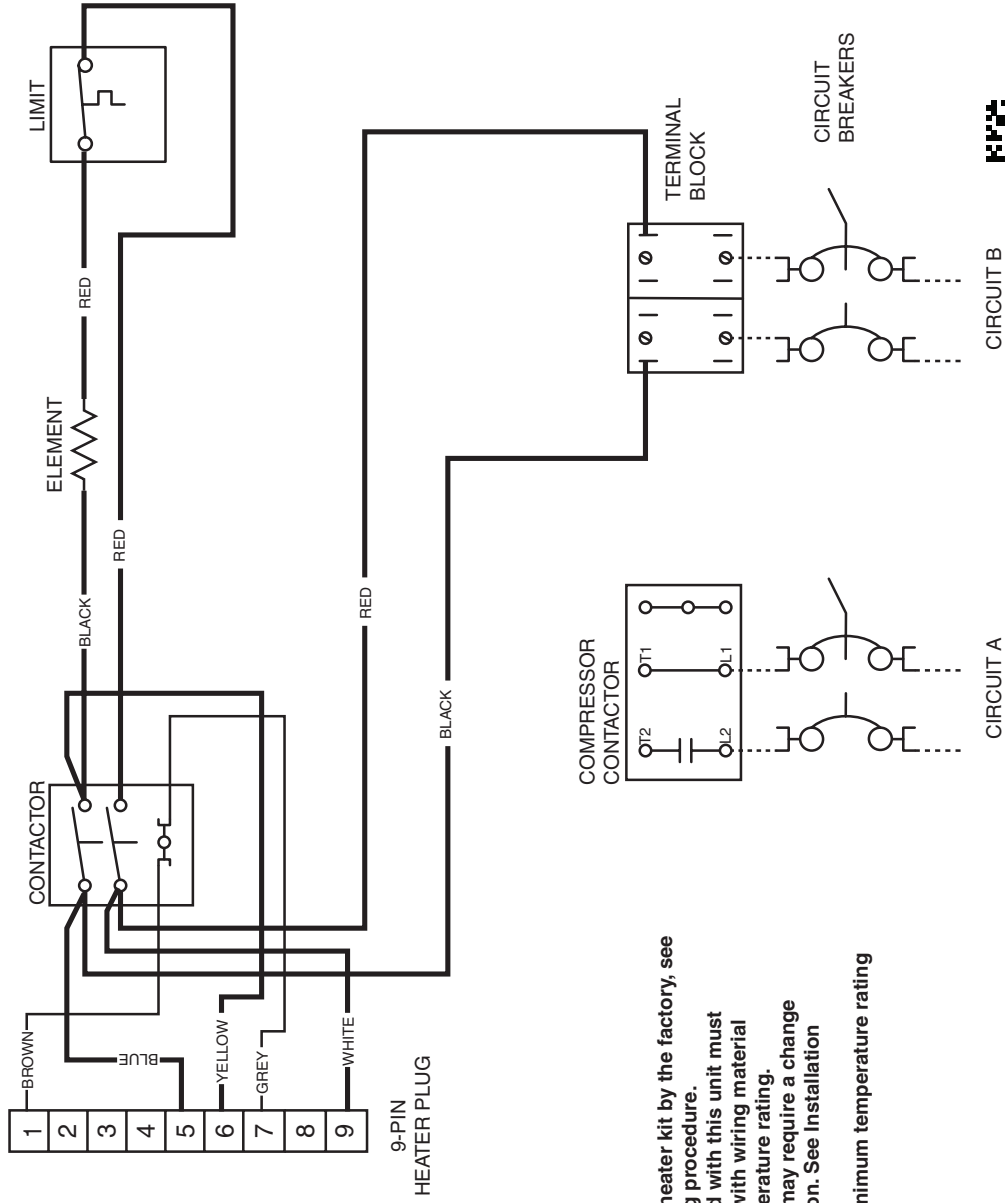
Figure 4. Single Phase, 5kW, 1 Circuit

WIRING DIAGRAM

H3HK005H-01C

240VAC

5 KW, 2-Circuit, 1-Phase Electric Heater Kit



NOTES:

1. Circuit breakers are not wired to heater kit by the factory, see Installation Instructions for wiring procedure.
2. If any of the original wire supplied with this unit must be replaced, it must be replaced with wiring material of the same gauge size and temperature rating. The installation of this heater kit may require a change in the blower speed tap connection. See Installation Instructions for details.
3. Use copper conductors with a minimum temperature rating of 60 C for supply connections.

LEGEND:



CIRCUIT B

CIRCUIT A

711441B
(Replaces 711441A)
08/15

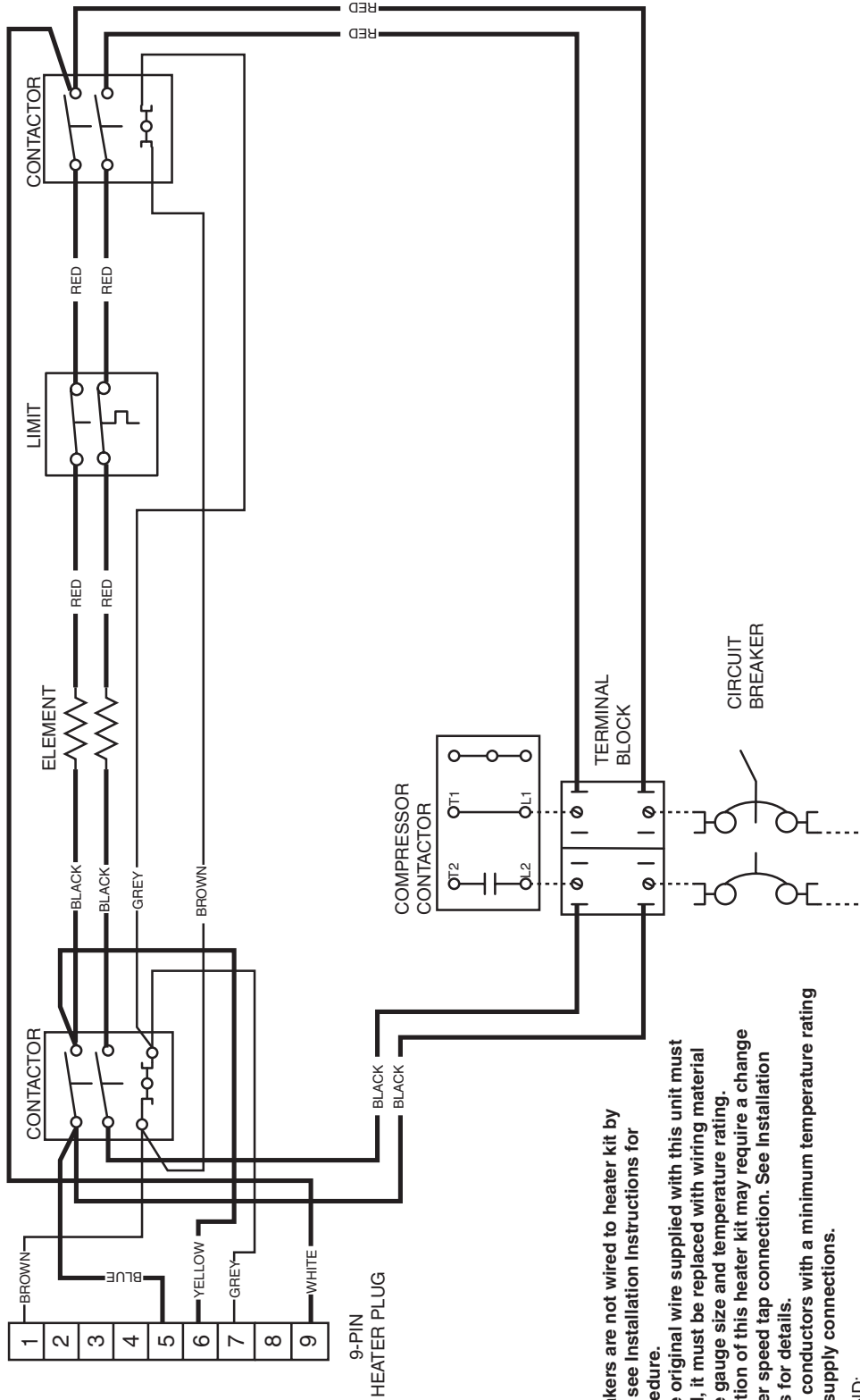
Figure 5. Single Phase, 5 kW, 2 Circuit

WIRING DIAGRAM

H3HK008H-01C
H3HK010H-01C

240VAC

8 KW, 10 KW, 1-Circuit, 1-Phase Electric Heater Kit



NOTES:

1. Circuit breakers are not wired to heater kit by the factory, see Installation Instructions for wiring procedure.
2. If any of the original wire supplied with this unit must be replaced, it must be replaced with wiring material of the same gauge size and temperature rating. The installation of this heater kit may require a change in the blower speed tap connection. See Installation Instructions for details.
3. Use copper conductors with a minimum temperature rating of 60 C for supply connections.

LEGEND:

FIELD WIRING	---
LOW VOLTAGE	----
HIGH VOLTAGE	=====



711442B
(Replaces 711442A)
08/15

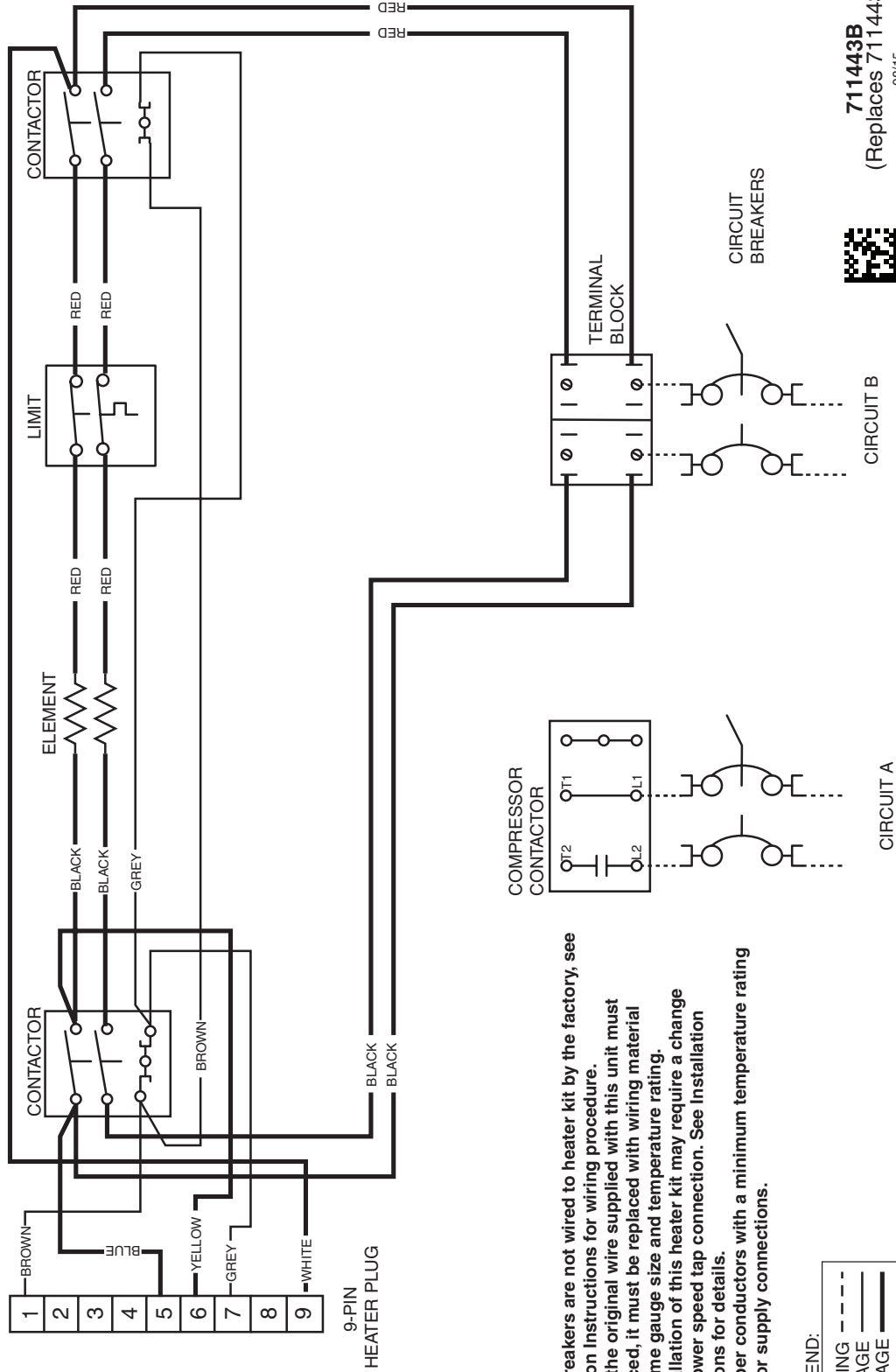
Figure 6. Single Phase, 8 kW & 10 kW, 1 Circuit

WIRING DIAGRAM

H3HK008H-01C
H3HK010H-01C

240VAC

8 KW,10 KW, 2-Circuit, 1-Phase Electric Heater Kit



- NOTES:**
1. Circuit breakers are not wired to heater kit by the factory, see Installation Instructions for wiring procedure.
 2. If any of the original wire supplied with this unit must be replaced, it must be replaced with wiring material of the same gauge size and temperature rating. The installation of this heater kit may require a change in the blower speed tap connection. See Installation Instructions for details.
 3. Use copper conductors with a minimum temperature rating of 60 C for supply connections.

LEGEND:

---	FIELD WIRING
- - -	LOW VOLTAGE
—	HIGH VOLTAGE



711443B
(Replaces 711443A)
08/15

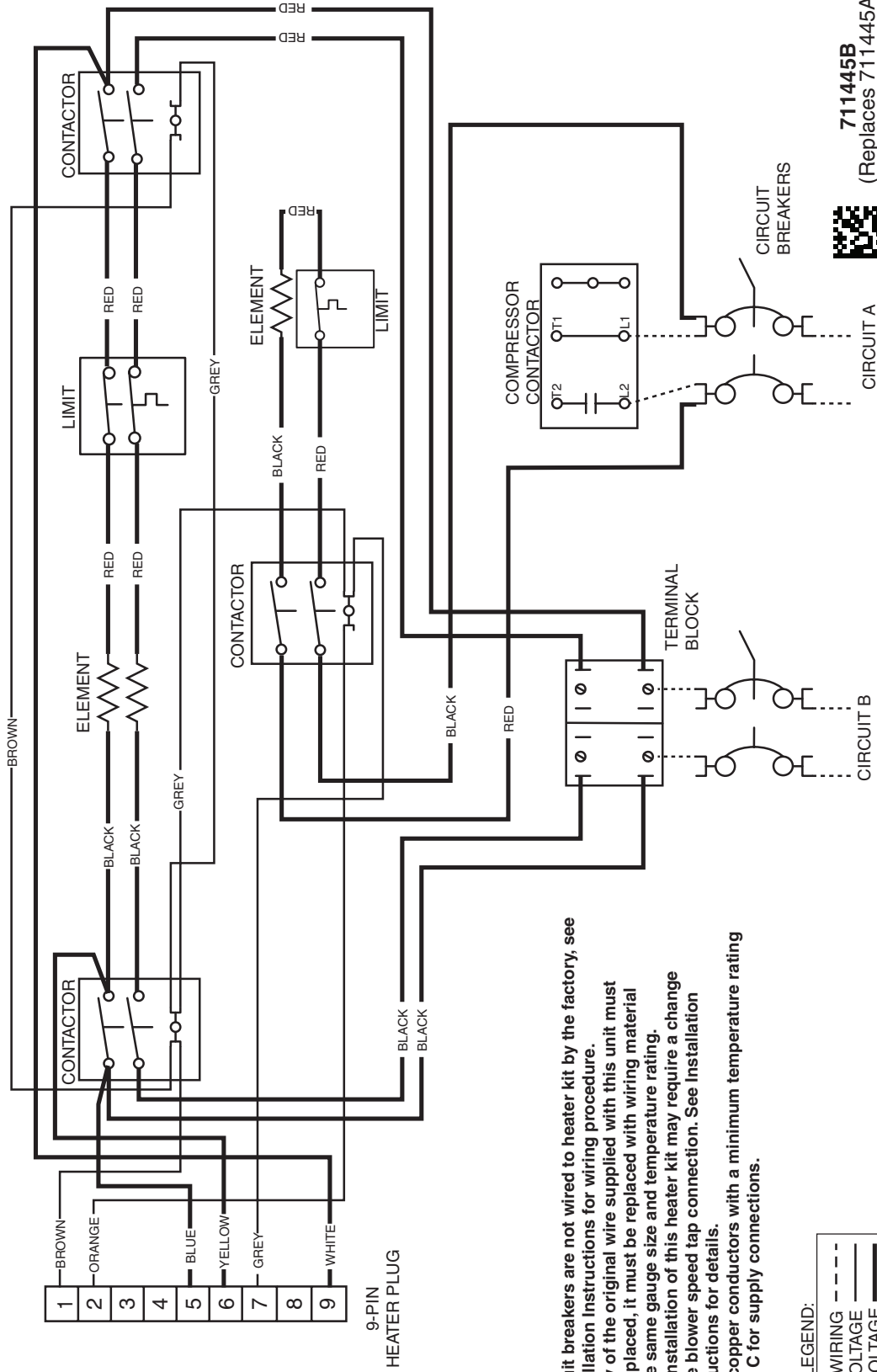
Figure 7. Single Phase, 8 kW & 10 kW, 2 Circuit

WIRING DIAGRAM

H3HK015H-01C
H3HK015H-21C

240VAC

15 kW, 2-Circuit, HP, 1-Phase Electric Heater Kit



NOTES:

1. Circuit breakers are not wired to heater kit by the factory, see Installation Instructions for wiring procedure.
2. If any of the original wire supplied with this unit must be replaced, it must be replaced with wiring material of the same gauge size and temperature rating. The installation of this heater kit may require a change in the blower speed tap connection. See Installation Instructions for details.
3. Use copper conductors with a minimum temperature rating of 60 C for supply connections.

LEGEND:

---	FIELD WIRING
- - -	LOW VOLTAGE
—	HIGH VOLTAGE



711445B

(Replaces 711445A)

08/15

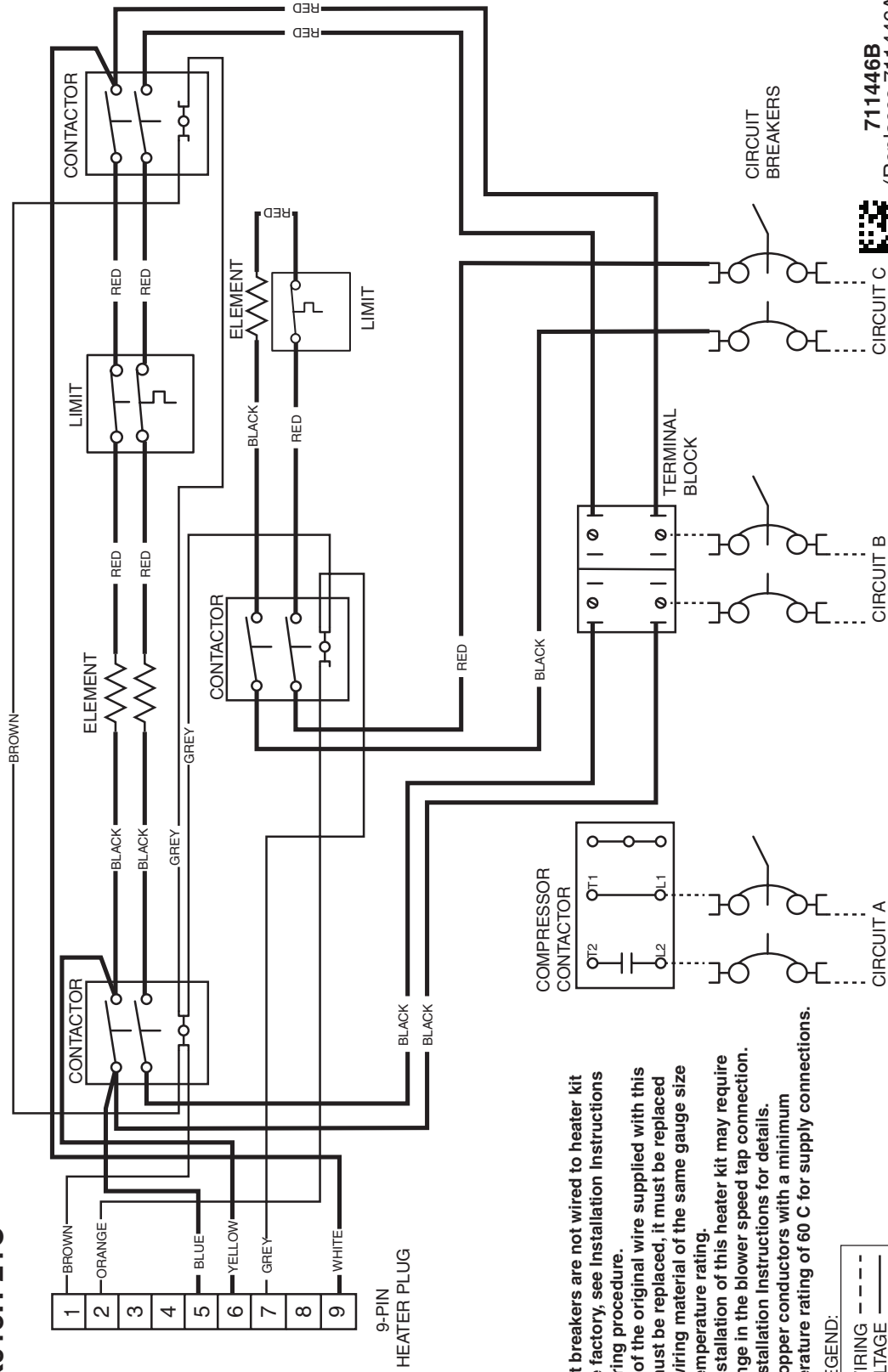
Figure 8. Single Phase, 15 kW, 2 Circuit, HP

WIRING DIAGRAM

H3HK015H-01C
H3HK015H-21C

240VAC

15 kW, 3-Circuit, 1-Phase Electric Heater Kit



NOTES:

1. Circuit breakers are not wired to heater kit by the factory, see Installation Instructions for wiring procedure.
2. If any of the original wire supplied with this unit must be replaced, it must be replaced with wiring material of the same gauge size and temperature rating.
The installation of this heater kit may require a change in the blower speed tap connection. See Installation Instructions for details.
3. Use copper conductors with a minimum temperature rating of 60 C for supply connections.

LEGEND:

---	FIELD WIRING
---	LOW VOLTAGE
---	HIGH VOLTAGE



711446B
(Replaces 711446A)
08/15

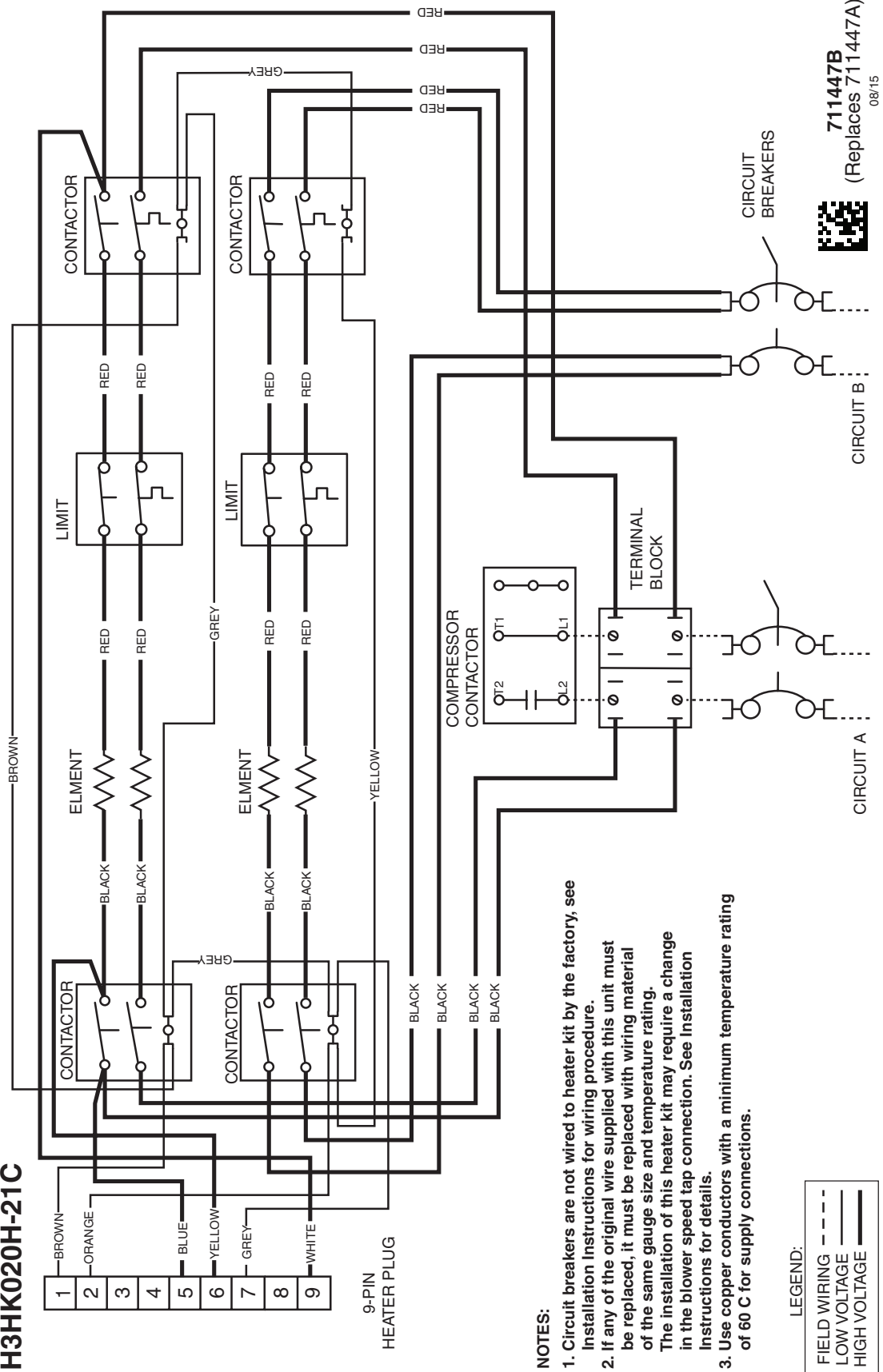
Figure 9. Single Phase, 15 kW, 3 Circuit

WIRING DIAGRAM

H3HK020H-01C
H3HK020H-21C

240VAC

20 kW, 2-Circuit, 1-Phase Electric Heater Kit



NOTES:

1. Circuit breakers are not wired to heater kit by the factory, see Installation Instructions for wiring procedure.
2. If any of the original wire supplied with this unit must be replaced, it must be replaced with wiring material of the same gauge size and temperature rating. The installation of this heater kit may require a change in the blower speed tap connection. See Installation Instructions for details.
3. Use copper conductors with a minimum temperature rating of 60 C for supply connections.

LEGEND:

---	FIELD WIRING
- - -	LOW VOLTAGE
—	HIGH VOLTAGE



711447B
(Replaces 711447A)
08/15

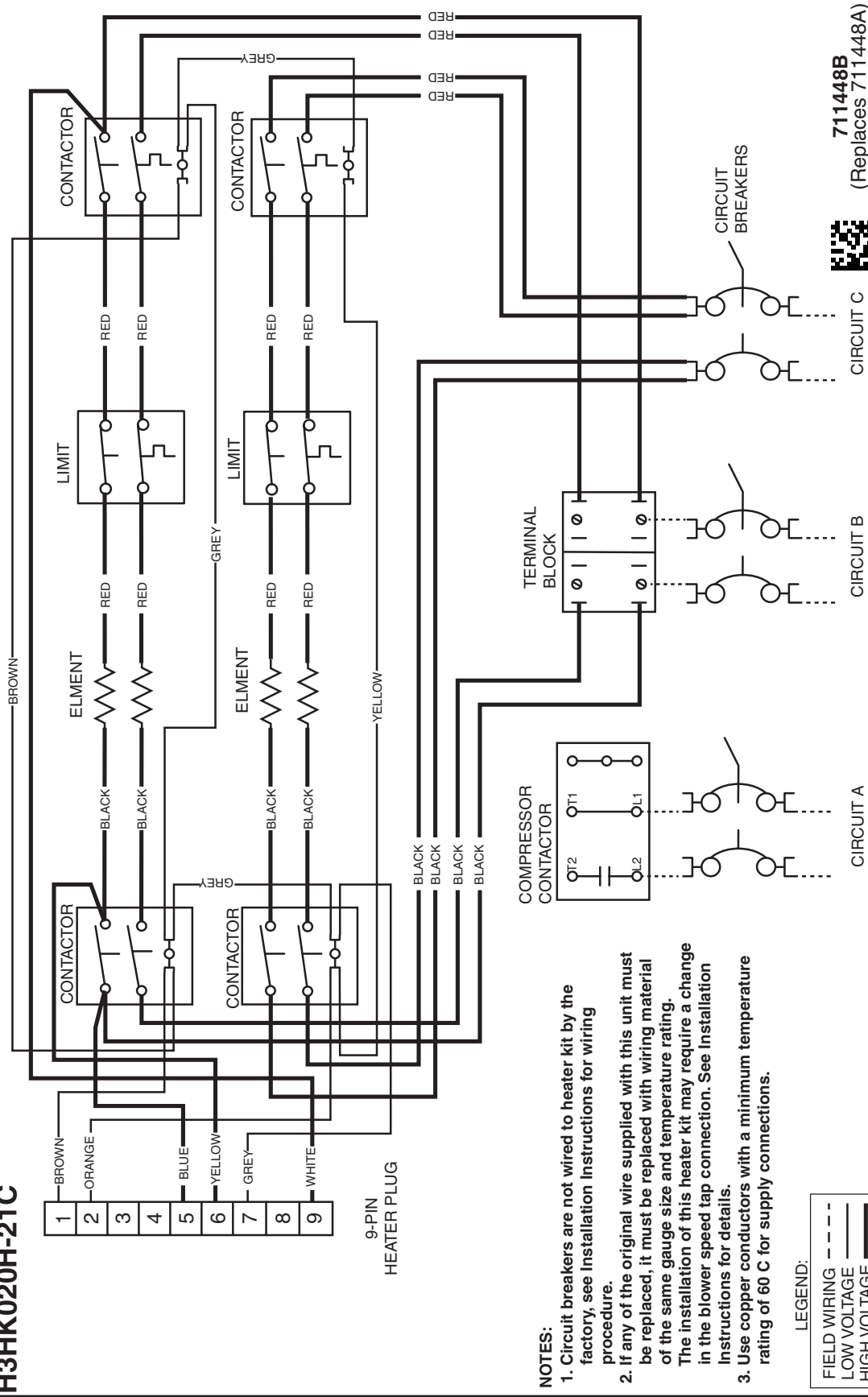
Figure 10. Single Phase, 20 kW, 2 Circuit

WIRING DIAGRAM

H3HK020H-01C
H3HK020H-21C

240VAC

20 kW, 3-Circuit, 1-Phase Electric Heater Kit



NOTES:

1. Circuit breakers are not wired to heater kit by the factory, see installation instructions for wiring procedure.
2. If any of the original wire supplied with this unit must be replaced, it must be replaced with wiring material of the same gauge size and temperature rating. The installation of this heater kit may require a change in the blower speed tap connection. See installation instructions for details.
3. Use copper conductors with a minimum temperature rating of 60 C for supply connections.

LEGEND:



711448B
(Replaces 711448A)
08/15

Figure 11. Single Phase, 20 kW, 3 Circuit

WIRING DIAGRAM

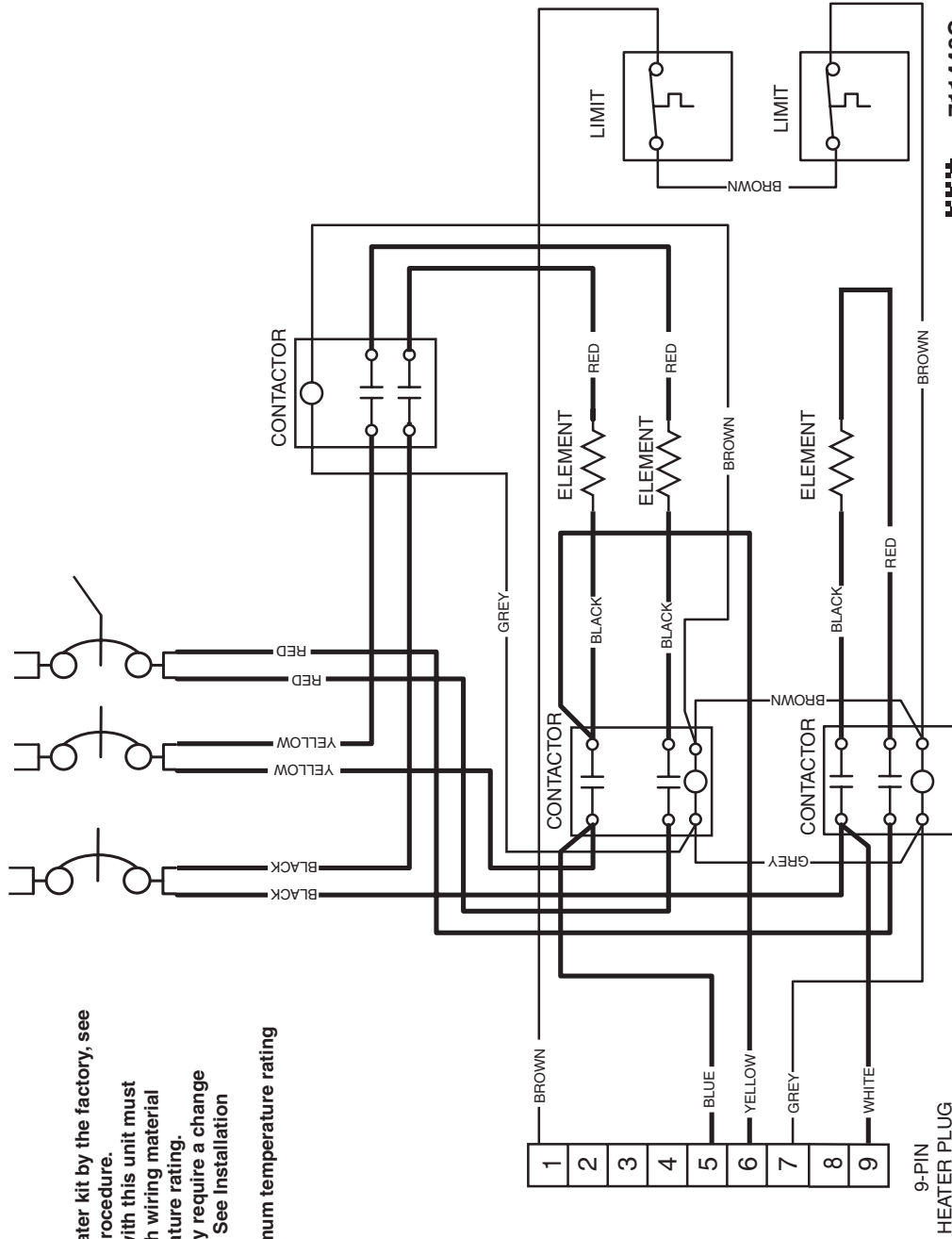
H3HK009Q-01C
H3HK015Q-01C

208/230VAC

9 kW, 15 kW, 1-Circuit, 3-Phase Electric Heater Kit

NOTES:

1. Circuit breakers are not wired to heater kit by the factory, see Installation Instructions for wiring procedure.
2. If any of the original wire supplied with this unit must be replaced, it must be replaced with wiring material of the same gauge size and temperature rating. The installation of this heater kit may require a change in the blower speed tap connection. See Installation Instructions for details.
3. Use copper conductors with a minimum temperature rating of 60 C for supply connections.



711449C
 (Replace 711449B)
 05/16

Figure 12. Three Phase, 9 kW & 15 kW, 1 Circuit

WIRING DIAGRAM

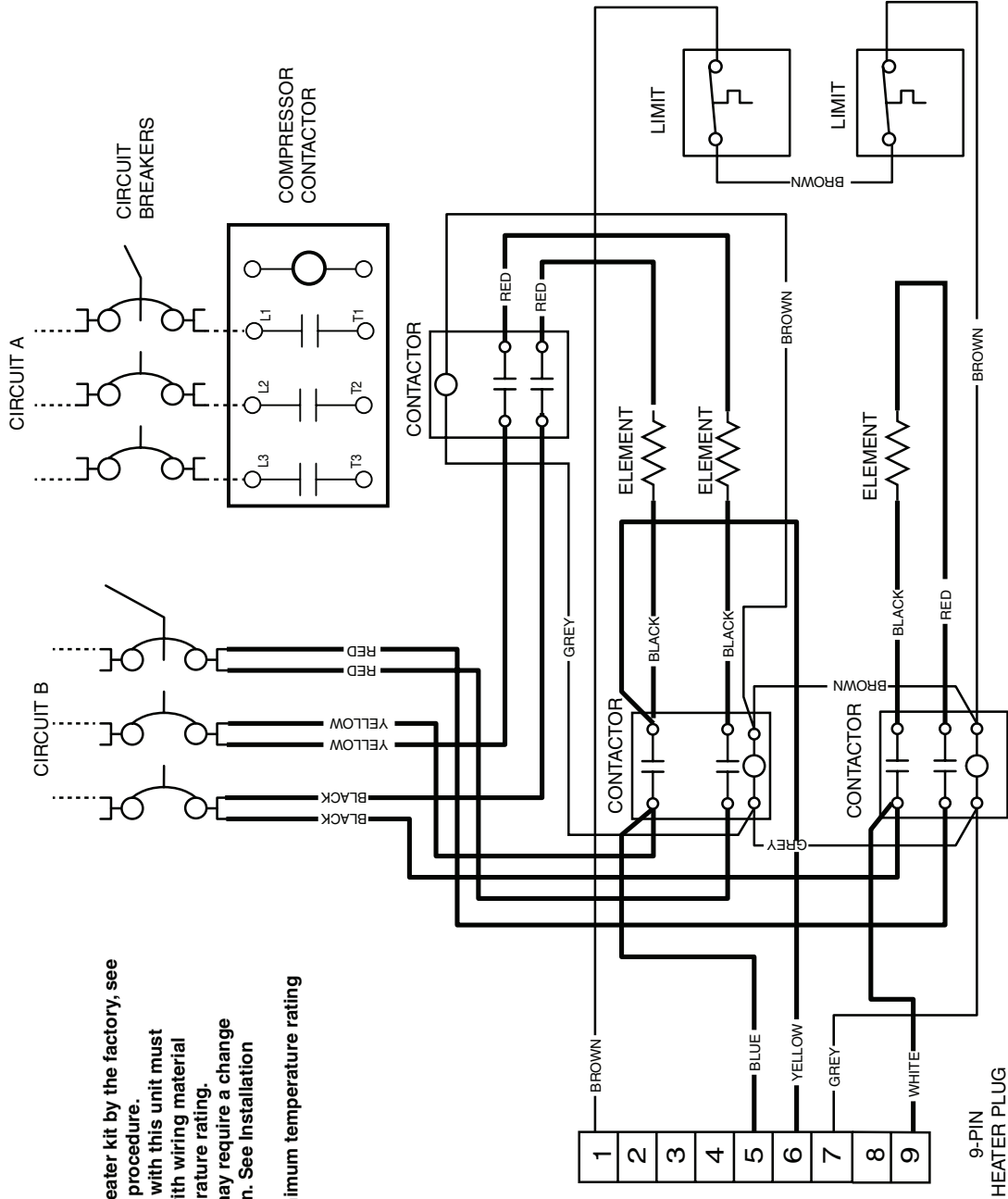
H3HK009Q-01C
H3HK015Q-01C

208/230VAC

9 kW, 15 kW, 2-Circuit, 3-Phase Electric Heater Kit

NOTES:

1. Circuit breakers are not wired to heater kit by the factory, see Installation Instructions for wiring procedure.
2. If any of the original wire supplied with this unit must be replaced, it must be replaced with wiring material of the same gauge size and temperature rating. The installation of this heater kit may require a change in the blower speed tap connection. See Installation Instructions for details.
3. Use copper conductors with a minimum temperature rating of 60 C for supply connections.



711450B
(Replace 711450A)
08/15

LEGEND:

- FIELD WIRING - - - - -
- LOW VOLTAGE ——— (thin line)
- HIGH VOLTAGE ——— (thick line)

Figure 13. Three Phase, 9 kW & 15 kW, 2 Circuit

We Encourage
Professionalism



Through Technician
Certification by NATE



Intertek

INSTALLER: PLEASE LEAVE THESE INSTALLATION INSTRUCTIONS WITH THE HOMEOWNER

