

COIL REPLACEMENT FOR B6BW & B6EW AIR HANDLERS

INSTALLATION INSTRUCTIONS

IMPORTANT SAFETY INFORMATION

Please read all instructions before installing this equipment. Pay attention to all safety warnings and any other special notes in the manual. Safety markings are used frequently throughout this manual to designate a degree or level of seriousness and should not be ignored. **WARNING** indicates a potentially hazardous situation that if not avoided, could result in personal injury or death.

These instructions are primarily intended to assist qualified individuals experienced in the proper installation of this kit. Some local codes require licensed installation/service personnel to install this type of equipment. Please read all instructions carefully before starting the installation. Return these instructions to the customer's package for future reference.

WARNING:

RISK OF ELECTRICAL SHOCK

Shut off all electrical power to the unit before performing any maintenance or service on the system. Failure to follow this warning can cause serious injury, fire, electrical shock, or death.

INSTALLATION INFORMATION

1. Turn OFF all electrical power to the unit.
2. Evacuate any refrigerant from the coil and properly reclaim it.
3. Remove the top panel, the bottom front panel, and the access panel from the unit. **NOTE:** This will allow the coil and tubing to be removed.
4. Remove coil from system.
5. Locate the two side rails in the replacement kit.
 - The rails are installed as shown, using the existing holes in the cabinet. See Figure 1.
 - Make sure the area on the rail that sits flush with the side of the cabinet is not visible from the front.
6. Install the coil by inserting the tabs (on the sides of the coil) into the notches of the side rails and then raising it upwards against the side rails. See Figure 2.
7. Install the top bracket over the side rails and coil frame. See Figure 3. **NOTE:** Align the holes in the top bracket, side rails and coil brackets and secure with one screw (each side). The screw will hold the front bracket, rail, and coil together.
8. After the coil is installed, refer to the Startup & Adjustment section in the installation instructions supplied with the unit. Follow all instructions regarding how to correctly charge and start it up the unit.

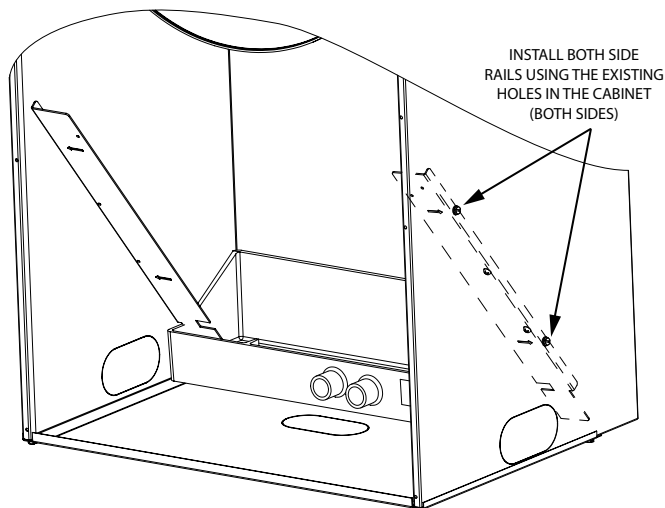


Figure 1. Side Rail Installation

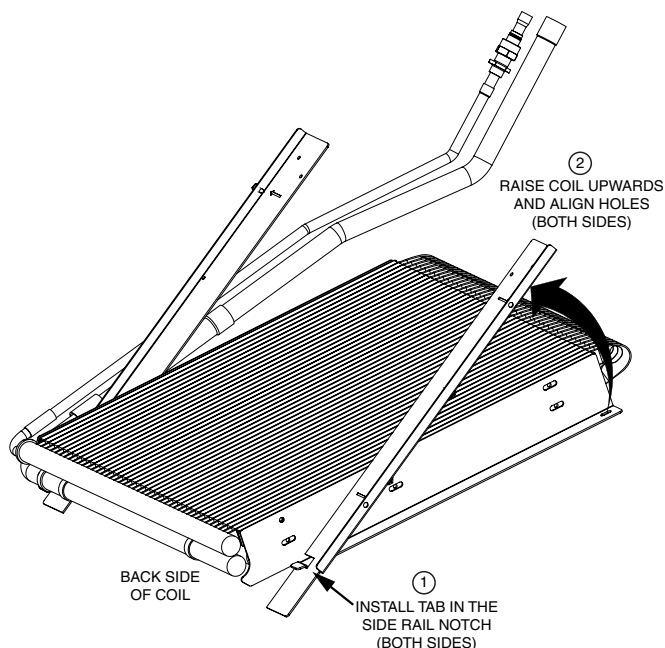


Figure 2. Coil Installation

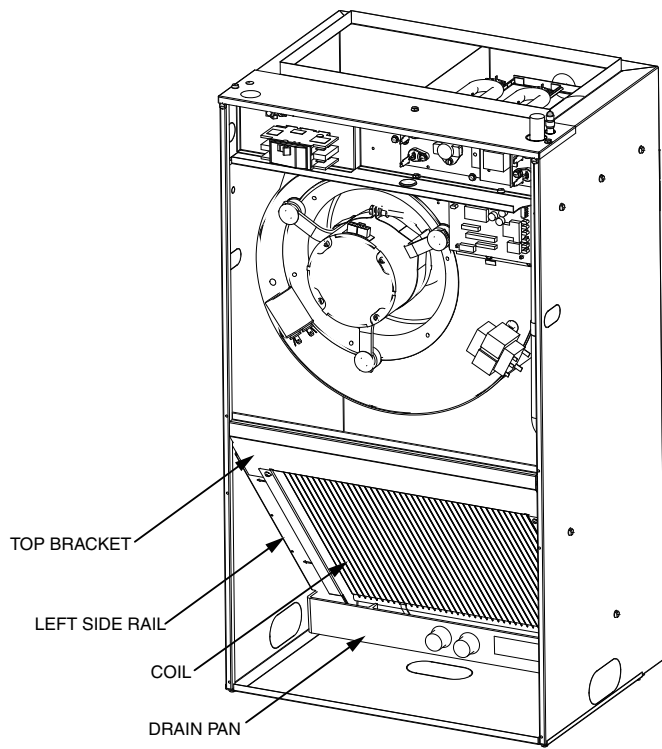


Figure 3. Top Bracket and Coil Installation

