

# INSTALLATION INSTRUCTIONS

## DRIP BAFFLE KIT FOR MICRO CHANNEL COILS

### DRIP BAFFLE INSTALLATION

1. **IMPORTANT!** Disconnect all electrical power to the unit being serviced. Refer to the installation manual supplied with the equipment for proper shutdown sequence.

**NOTE:** Access to the under-side of the coil is required. This may require removal of the coil door and front delta plate.

2. Remove front panel from the coil case.
3. Remove the delta plate from the front of the coil assembly.
4. Verify that the inside edge of the drain pan on the suction header side is smooth and free of burrs. Clean them off with a file if necessary
5. Firmly press the baffle over the edge of the drain pan (See Figure 1). **NOTE:** Make sure that the baffle is firmly in place and will not be dislodged by airflow. Only one baffle per unit.
6. Replace delta plate on the front of the coil assembly.
7. Replace front panel on the coil case.
8. Reconnect electrical power to the unit. Refer to the installation manual for proper startup sequence.

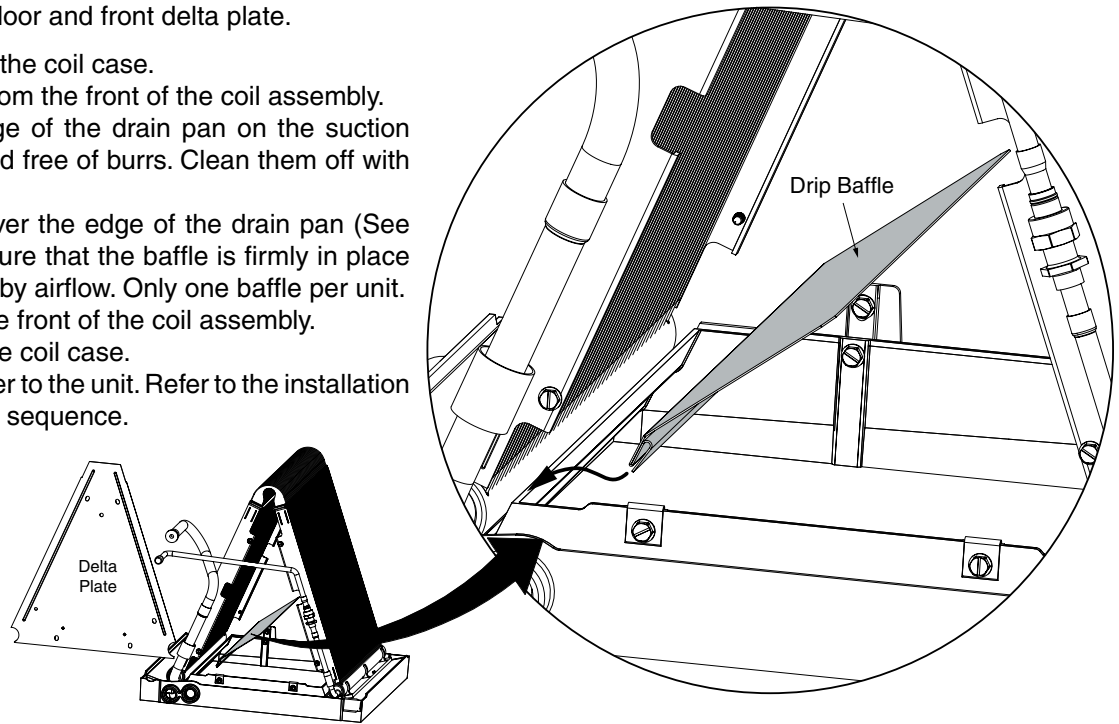


Figure 1. Drip Baffle Installation

## IMPORTANT

### ATTENTION INSTALLERS:

It is your responsibility to know this product better than your customer. This includes being able to install the product according to strict safety guidelines and instructing the customer on how to maintain the equipment for the life of the product. Safety should always be the deciding factor when installing this product and using common sense plays an important role as well. Pay attention to all safety warnings and any other special notes highlighted in these instructions. Improper installation of this equipment or failure to follow safety warnings could result in serious injury, death, or property damage.

These instructions are primarily intended to assist qualified individuals experienced in the proper servicing of heating and air conditioning appliances. Unqualified individuals should not attempt to interpret these instructions or install this equipment. Some local codes require licensed installation/service personnel for this type of equipment. Use of this kit must be in accordance with these instructions and with all applicable national and local codes and standards. Please read all instructions carefully before starting the installation. Return these instructions to the customer's package for future reference.

**DO NOT DESTROY. PLEASE READ CAREFULLY AND KEEP IN A SAFE PLACE FOR FUTURE REFERENCE.**

