

# G6 Series Furnace Replacement Igniter Kit

## INSTALLATION INSTRUCTIONS

**IMPORTANT: Read all instructions carefully before starting the installation.**

### GENERAL

These instructions are intended to assist qualified individuals experienced in the proper installation and servicing of gas furnaces. Some local codes require licensed installation/ service personnel for this type of equipment. This kit is designed for use on Nordyne series G6(\*) furnaces.

---

### **WARNING:**

---

**Prior to installation, shut “OFF” any Natural Gas or LP fuel and electrical power supplies to the furnace.**

---

### PARTS INCLUDED IN THIS KIT

<u>Part</u>	<u>Quantity</u>
Igniter	1
Adapter Bracket	1
Burner Box Bracket	1
#8 – 32 x 5/8” Screw	1
#8 – 32 x 1/4” Screw	2

### PREPARING FOR IGNITER INSTALLATION

1. Use proper safety equipment such as gloves and safety glasses.
2. Set the thermostat to “OFF” mode.
3. Disconnect or switch “OFF” all electrical power supplies to the furnace.
4. Follow the instructions “To Turn Off the Fuel Supply to the Furnace”. A label located on the furnace will provide details.

### REMOVAL OF THE EXISTING IGNITER

1. Remove the furnace doors to gain access to the burner assembly.
2. Disconnect the 2-pin electrical connector of the igniter wires from the wire harness from the control board.
3. Remove the existing igniter assembly from the burner box by removing the 2 #10 screws that secure the igniter bracket to the burner box.
4. Keep the 2 #10 screws from the previous step to install the new assembly later. Discard the old igniter assembly.

### IGNITER AND BRACKET ASSEMBLY

1. The adapter bracket has 2 clearance holes and 1 bite hole to secure the igniter. See [Figure 1](#).
2. Place the igniter on the adapter aligning the “U” slot with the bite hole. Using the #8 - 32 x 5/8” thread cutting screw, secure the igniter. Take precaution to firmly grasp the bracket using the gloves or other means before installing the screw. Do not over-tighten screw to the igniter’s ceramic insulator.
3. Locate the burner box bracket included in this kit. See [Figure 2](#).
4. Take the igniter and adapter assembly and thread the 2 wire leads through the 5/8” hole in the burner box bracket.
5. Align the 2 clearance holes with the 2 bite holes in the burner box bracket.
6. Using the (2) #8 - 32 x 1/4” screws, secure the igniter and adapter assembly to the burner box bracket.
7. Locate the plastic 2-pin wire connector. Insert the wires in the wire connector. Push each wire until a positive stop is felt. Carefully pull each wire to ensure it is locked in place.

### INSTALLATION TO BURNER BOX

1. The complete igniter and bracket assembly is ready to be installed in the burner box.
2. It will be necessary to insert the assembly at a slight angle to allow the screws and igniter element to clear the opening in the burner box. Use care not to allow the igniter element to scrape the burner box. See [Figure 3](#).
3. Align the 2 holes in the burner box bracket with the burner box.
4. Using the 2 #10 screws from the removal step, secure the assembly to the burner box. See [Figure 4](#).
5. Check to ensure that the igniter element is not touching the burners or the heat exchanger tubes. (There should be approximately 1/8” clearance from all surfaces). It may be necessary to remove the burner box cover for inspection. Failure to maintain this clearance may result in igniter damage.
6. Connect the igniter wires plug to the wire harness plug from the control board.
7. Ensure that all electrical connections are secure and tight.

### OPERATING THE FURNACE

1. Turn ON all electrical power to the furnace.
2. Turn ON the gas supply to the furnace.
3. Use caution if the control panel/door is removed to observe proper operation.
4. Follow the start-up and lighting procedures outlined in the Installation Instructions provided with the furnace.

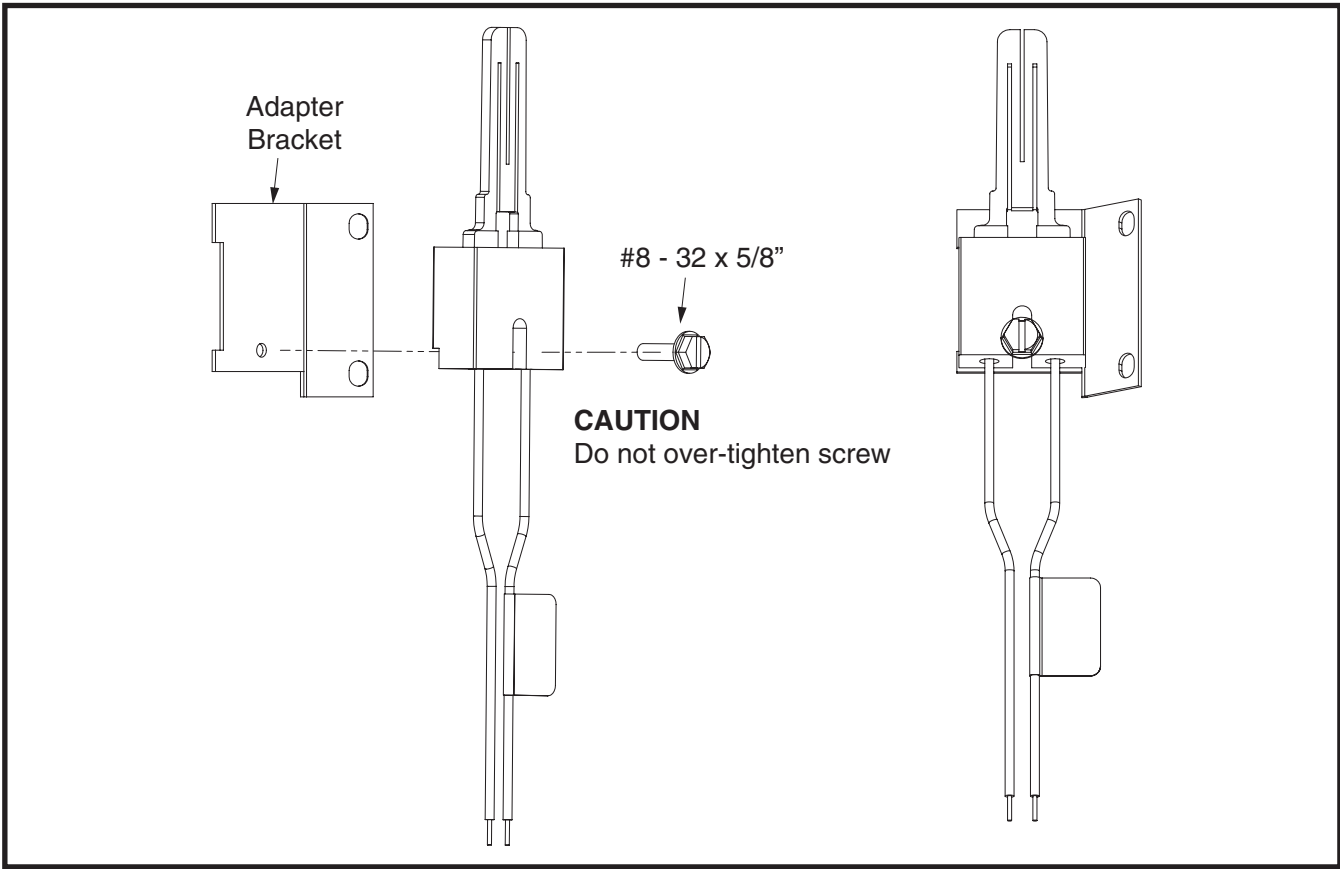


Figure 1. Secure the Igniter

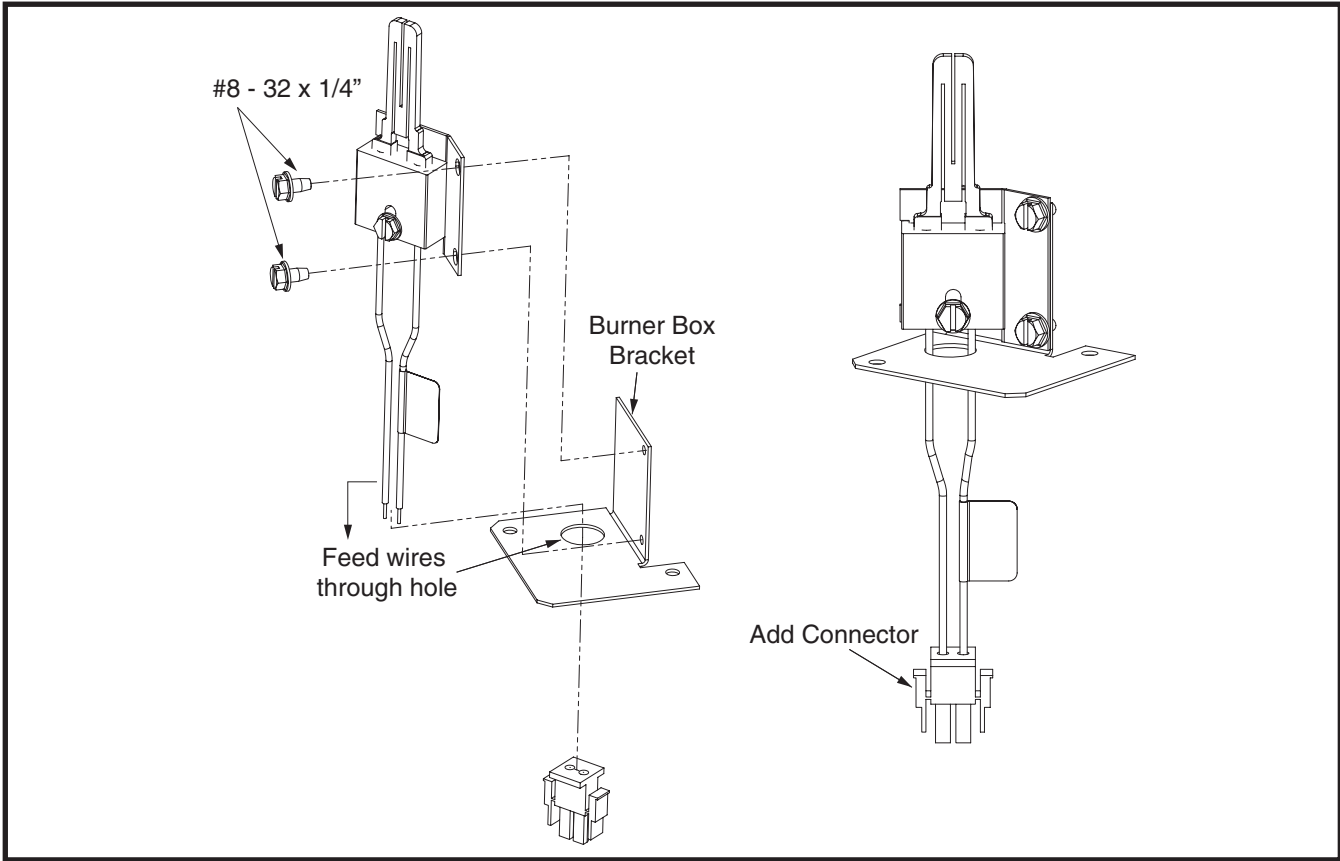
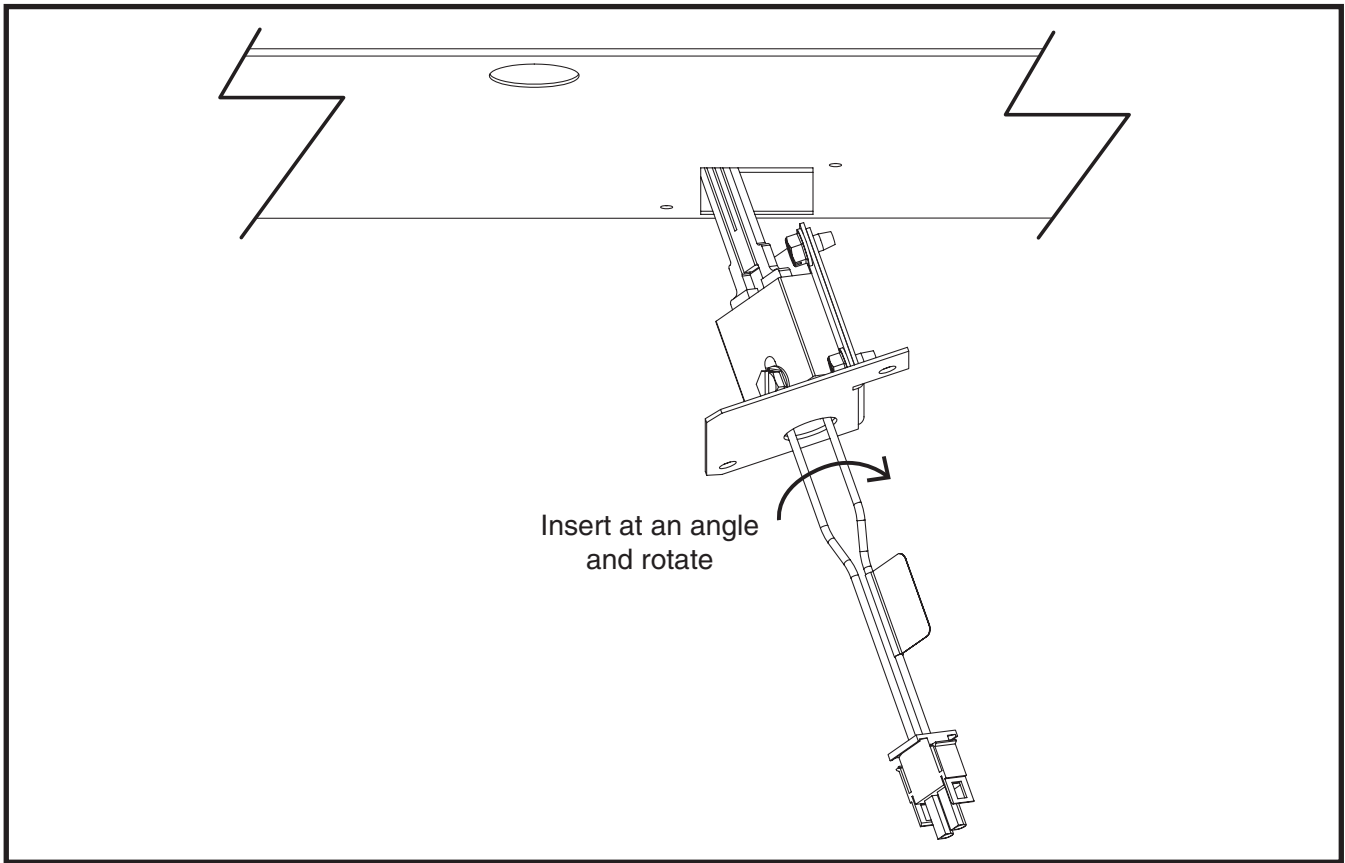
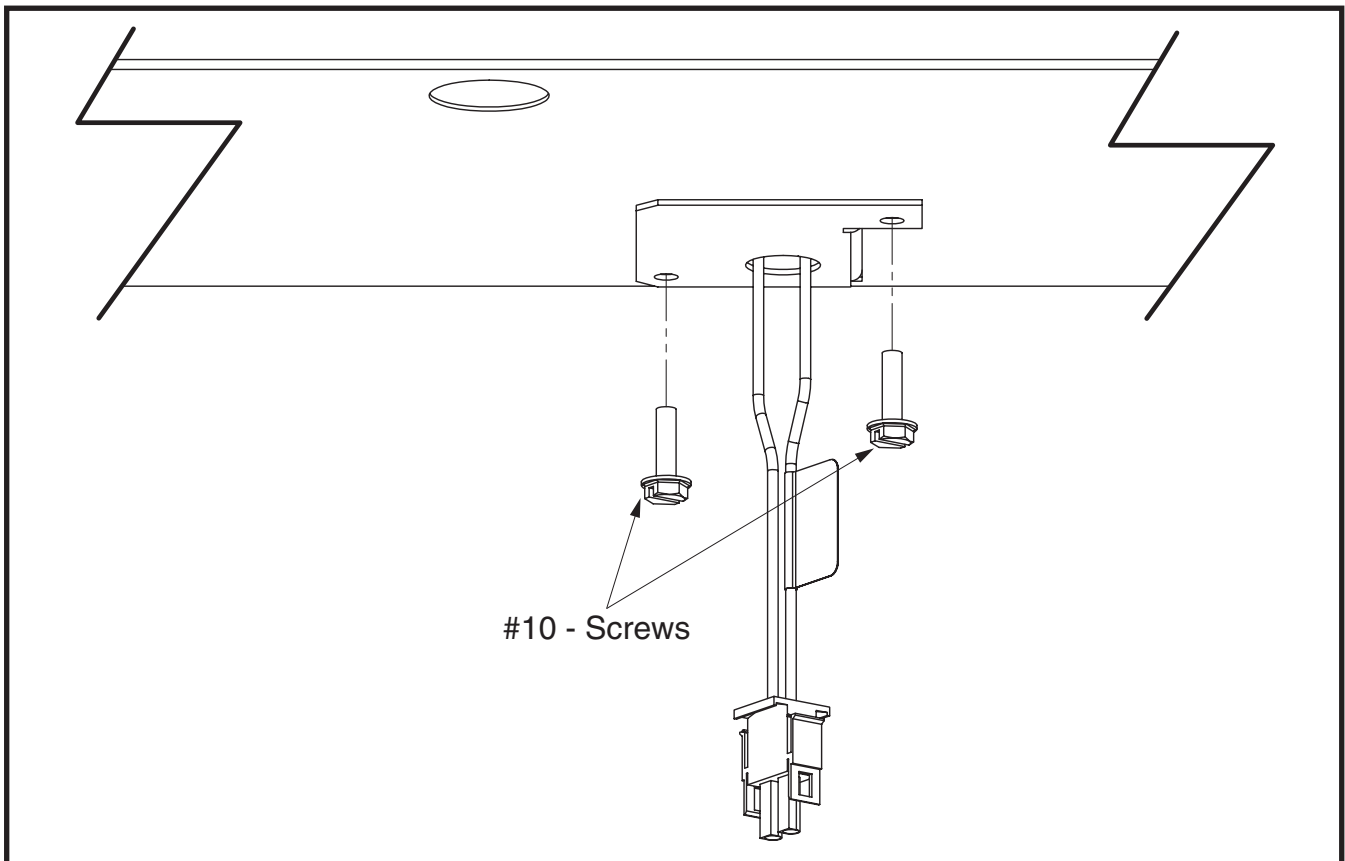


Figure 2. Burner Box Bracket



**Figure 3. Insert the Assembly**



**Figure 4. Secure the Assembly to the Burner Box**

**INSTALLER: Do Not Discard These Instructions. After completing the installation, return these instructions to the Homeowner's Package for owner-user's future reference.**

