

# LARGE PACKAGE INSHOT BURNER IGNITER REPLACEMENT - R8GD, R8GE, R104GD, R8HE AND R104HD UNITS

## INSTALLATION INSTRUCTIONS

### IMPORTANT SAFETY INFORMATION

INSTALLER: Please read all instructions before servicing this equipment. Pay attention to all safety warnings and any other special NOTES highlighted in the document. Safety markings are used frequently throughout this document to designate a degree or level of seriousness and should not be ignored. **WARNING** indicates a potentially hazardous situation that if not avoided, could result in personal injury or death. **CAUTION** indicates a potentially hazardous situation that if not avoided, may result in minor or moderate injury or property damage.

---

### **WARNING:**

---

#### ELECTRICAL SHOCK, FIRE OR EXPLOSION HAZARD

Failure to follow safety warnings exactly could result in serious injury or property damage. Improper servicing could result in dangerous operation, serious injury, death or property damage.

- Before servicing, disconnect all electrical power to the unit.
  - When servicing controls, label all wires prior to disconnecting. Reconnect wires correctly.
  - Verify proper operation after servicing.
- 

---

### **WARNING:**

---

Unless noted otherwise in these instructions, only factory authorized parts or accessory kits may be used with this product. Improper installation, service, adjustment or maintenance may cause explosion, fire, electrical shock or other hazardous conditions which may result in personal injury or property damage.

---

---

### **WARNING:**

---

Use caution when removing components or handling this product. Personal injury can occur from sharp metal edges present in all sheet metal constructed equipment.

---

### GENERAL INFORMATION

This kit replaces Nortek 632320 igniter which is in Nortek kit 903179. The igniter included in this kit is a different design but is an equal alternate. This kit includes (1) igniter, (1) universal igniter bracket, (1) wire tie and (3) fasteners. The 2 pin molex plug is pre-installed to the new igniter for an easier installation.

First, disconnect all electrical power to the unit. Remove the control panel to gain access to the burner assembly and the igniter. Establish which style of igniter bracket is on your equipment. There are 2 styles of igniter brackets. If your equipment has the bracket in [Figure 1](#), refer to the instructions in Section 1. If your equipment has the bracket in [Figure 2](#), refer to the instructions in Section 2.

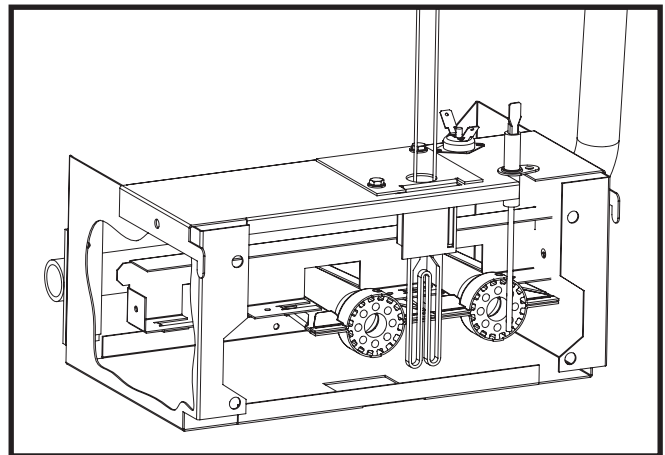


Figure 1. R8GE, R8GD and R104GD

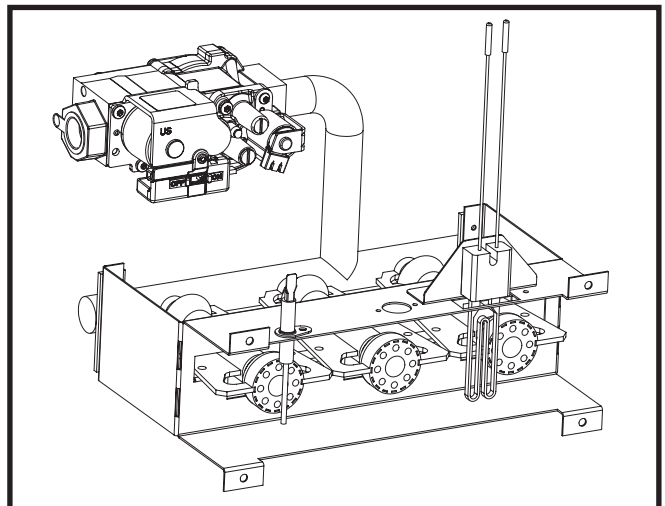


Figure 2. R8HE and R104HD

### Section 1. Models – R8GE, R8GD, R104GD

1. Disconnect the molex plug, remove the 2 screws holding the old igniter in place and remove the assembly. These parts and screws will not be used with the new igniter.
2. Insert new bracket in the burner box opening but do not fasten. See [Figure 3](#).
3. Insert the new igniter in the igniter bracket but do not fasten yet with the screws.
4. Using (2) of the screw provided, fasten the bracket to the burner box.
5. Using (1) screw, fasten the igniter to the bracket and re-attach the molex plug.
6. Use the wire tie to make sure the igniter wires are not touching any metal.
7. The finished assembly should look like [Figure 4](#), the igniter parallel to the burner face.
8. Re-establish power, verify ignition and normal operation. Refer to the installation instructions for details.
9. Replace the panel after a successful ignition.

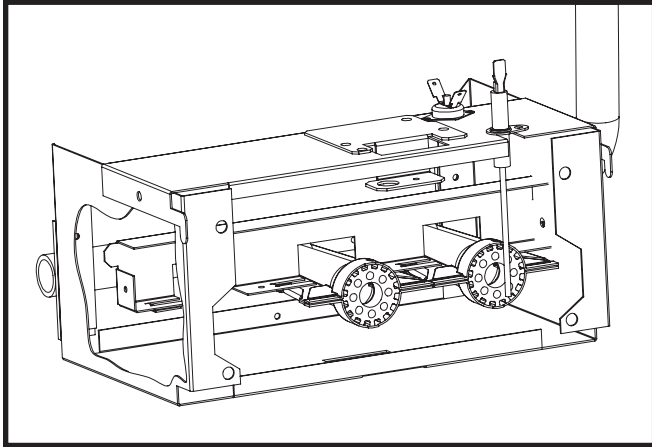


Figure 3. R8GE, R8GD and R104GD

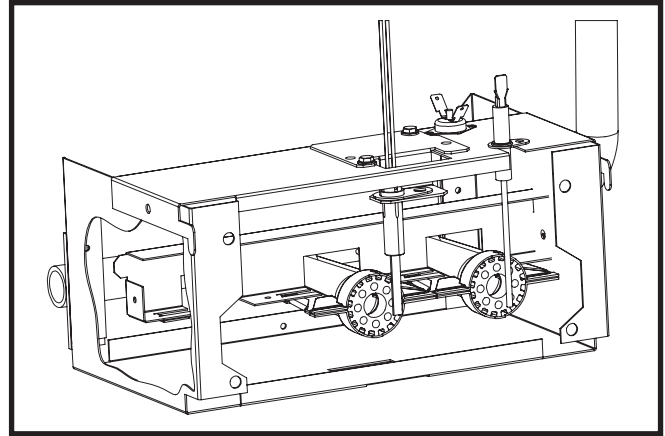


Figure 4. R8GE, R8GD and R104GD

### Section 2. Models – R8HE, R104HD

1. Disconnect the molex plug, remove the 2 screws holding the old igniter in place and remove the assembly. These parts and screws will not be used with the new igniter.
2. Fasten the igniter bracket with the (2) provided screws. See [Figure 5](#).
3. Insert the new igniter in the igniter bracket, fasten with the (1) provided screw and re-attach the molex plug.
4. Use the wire tie to make sure the igniter wires are not touching any metal.
5. The assembly should look like [Figure 6](#), the igniter parallel to the burner face.
6. Re-establish power, verify ignition and normal operation. Refer to the installation instructions for details.
7. Replace the panel after a successful ignition.

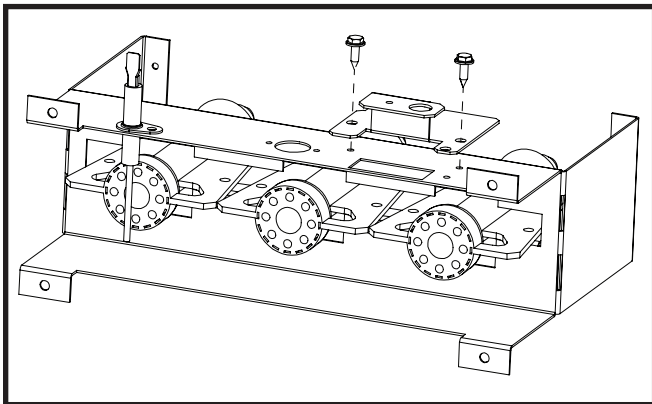


Figure 5. R8HE and R104HD

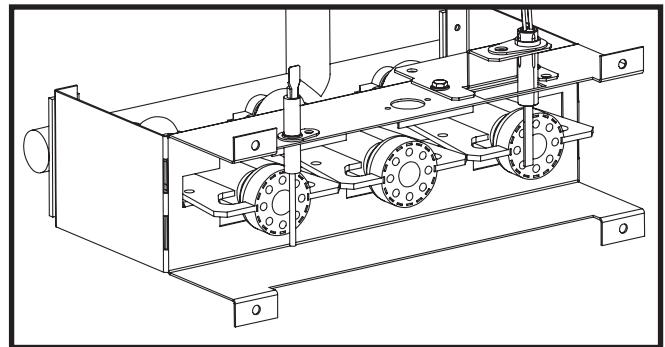


Figure 6. R8HE and R104HD

