



Submittal:DXH(09)ESA3IL **Standard Efficiency Heat Pump**

Job Name:	Location:	Date:
Purchaser:	Engineer:	
Submitted To:	For:	
Unit Designation:	Schedule #:	

- Features:**
- Inverter-driven Compressor and Fan
 - Flared Piping Connections
 - Wireless Remote Controller Included
 - Anti-corrosion coils
 - Intelligent defrost
 - Auto-Restart
 - Easy diagnosis
 - Limited 5-year parts & 7-year compressor warranty



SYSTEM RATINGS	
Rated Cooling Capacity (Btu):	9,100
Minimum Cooling Capacity (Btu):	2,700
Maximum Cooling Capacity (Btu):	11,600
Rated Heating Capacity (Btu):	10,000
Minimum Heating Capacity (Btu):	2,400
Maximum Heating Capacity (Btu):	13,300
SEER:	20.5
EER:	11.9
HSPF:	8.8
COP:	12.4
METERING DEVICE	
Location	ODU
Type	Capillary

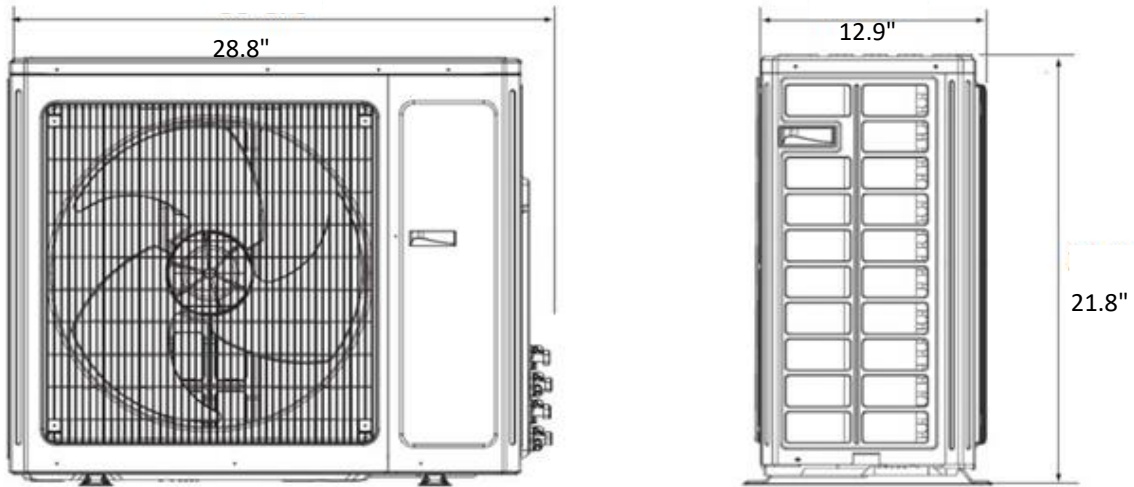
OUTDOOR UNIT DATA	
Compressor	
Type:	R-32
RLA:	13.7
Fan Motor	
Output Power(W):	30
RLA:	0.61
Sound Pressure (dBA):	51
Physical Characteristics	
Net Weight (lbs):	55.1
Dimensions (in)	
W:	28.8
H:	21.8
D:	12.9

Operation Range (Outdoor Ambient)	
Cooling (Min-Max)°F:	0~118
Heating (Min-Max)°F:	-13~75
Power Supply	
Voltage (Min-Max):	103/127
Minimum Circuit Ampacity (MCA):	19
Max. Overcurrent Protection (MOCP):	20

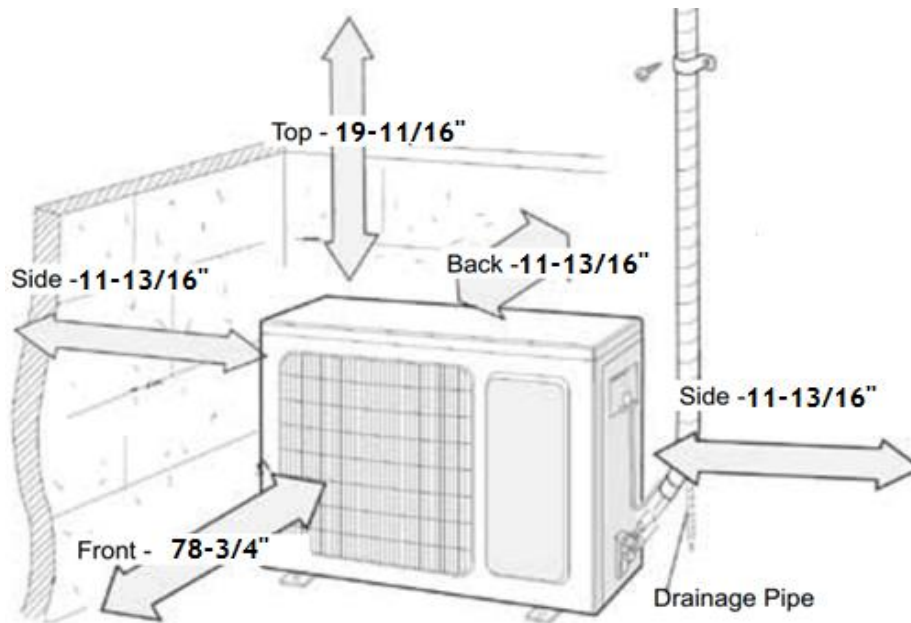
Refrigerant Piping Data	
Refrigerant Type:	R-32
Pre-charged Amount (Oz):	18.7
Pre-Charged Length (ft):	24.6
Additional amount (Oz/ft.):	0.2
Max. Piping Length (ft):	65.0
Max. Piping Height (ft):	40.0
ODU Connection Size (Gas):	3/8"
ODU Connection Size (Liquid):	1/4"

Submittal: DXH(09)ESA3IL

Outdoor Unit Dimensions



Outdoor Unit Minimum Clearances



Specifications are subject to change without notice.

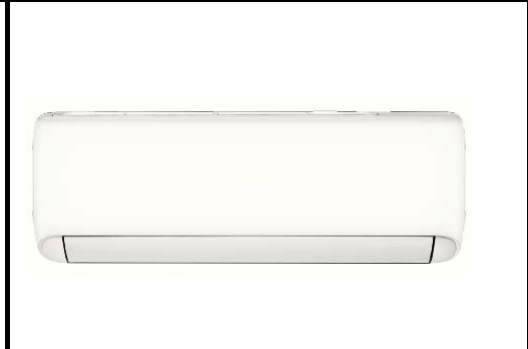


Submittal: DHH(09)ESA3IL

Standard Efficiency Heat Pump

Features:

- Inverter-driven Variable Speed Blower
- Flared Piping Connections
- Wireless Remote Controller Included
- Anti-corrosion coils
- iFeel Operation
- Air Filters Included
- Turbo Cooling
- Intelligent Preheating
- Child Lock Function



Indoor Unit Data

Blower Data

CFM (Max/Min):	353/159
Output (W):	20
RLA:	0.39
Capacitor Rating (µF):	4

Sound Pressure

Cooling dB (A) (Min/Max):	24/43
---------------------------	-------

Physical Characteristics

Net Weight (lbs): 19.8

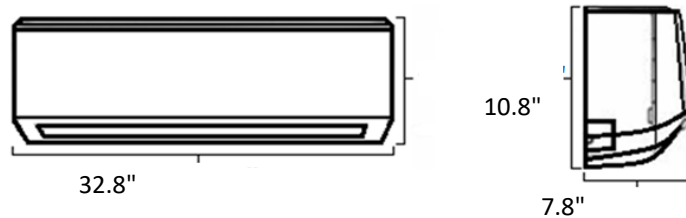
Dimensions (in.)

W:	32.8
H:	10.8
D:	7.8

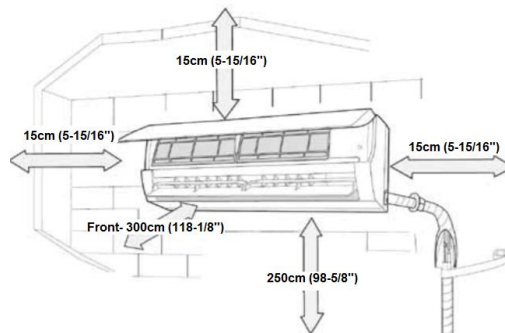
Piping Connection Size

"Liquid":	1/4"
Gas:	3/8"

Dimensions



Clearances



Specifications & illustrations are subject to change without notice or incurring obligations.
 O'Fallon, MO ©Nordyne, LLC 2024. All Rights Reserved. 036G (11/24)

ODU SKU: 1049113
IDU SKU: 1049112