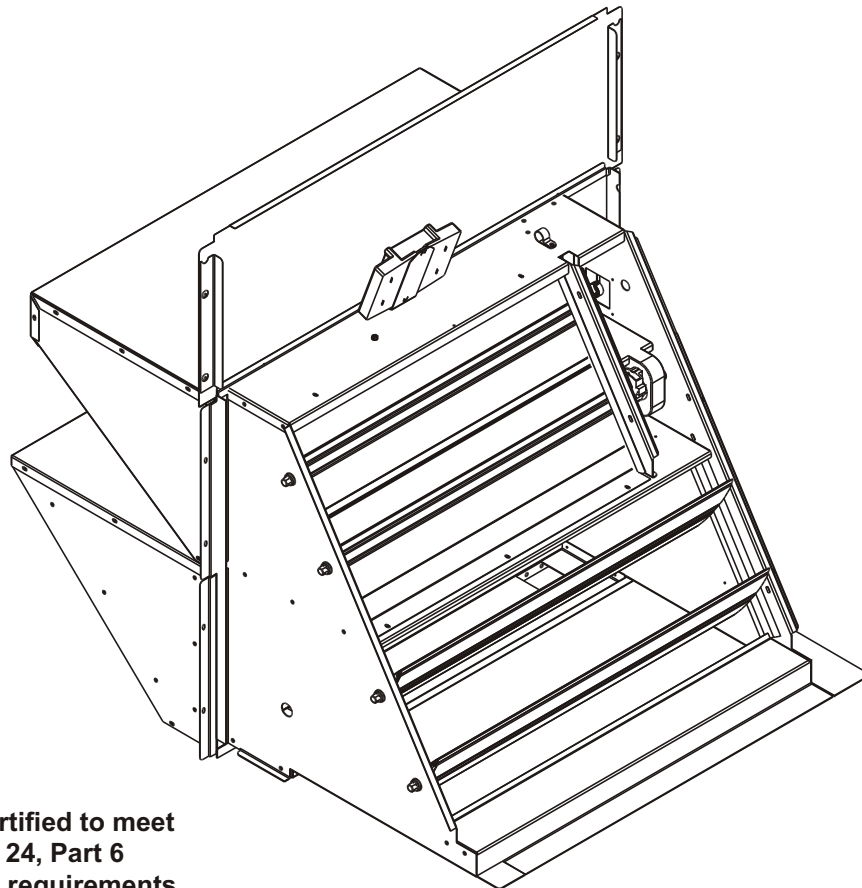


6-10 Ton Package Unit Low Leak Modulating Economizer w/ W7220A JADE Control

Installation Instructions



This product is certified to meet
California Title 24, Part 6
Low Leak and FDD requirements

Downflow or Horizontal Unit Applications

Warning:

 Recognize this symbol as an indication of Important Safety Information!

- Read all instructions prior to installation.
- Disconnect electrical power to the unit before servicing.
- Failure to do so can cause electrical shock resulting in personal injury or death.
- Improper installation, adjustment, alteration, service or maintenance can cause injury or property damage. Refer to this manual. For assistance or additional information consult a qualified installer or service agency.

DO NOT DESTROY. PLEASE READ CAREFULLY AND KEEP IN A SAFE PLACE FOR FUTURE REFERENCE

INSTALLATION INSTRUCTION

562535 AND 562536 ECONOMIZERS USING
HONEYWELL W7220 JADE CONTROL PLATFORM
USED WITH R6GP*, P6SP, AND Q6SP – 43" AND 55" CABINETS

FORM# 240E-0515 (NEW)

Note:
Reference Unit Technical Service Literature for application requirements.

Before You Begin:

Inspect economizer for shipping damage and correct parts with list below.

- 1 - Economizer assembly
- 1 - Fresh Air Hood w/ Filter
- 1 - Barometric Relief Hood
- 1 - Filter Access Panel
- 1 - Extra Parts Package
 - 1 - Mixed Air Sensor (MAS)
 - 1 - Mixed Air Sensor Wiring Harness
 - 18 - #10 x 1/2 x 16 Self-Tapping Screws
 - 2 - Wire Ties (Push Type)

Note: *For rooftop or other installations that requires the economizer to be lifted or hoisted, always lift economizer with the supplied packaging in place to prevent damage from lifting and rigging equipment.*

Optional Accessory Kits:

- CO₂ Sensor Kit, Wall Mount (920317)
- CO₂ Sensor Kit, Duct Mount (920318)
- Differential Enthalpy Kit (922431)
- Power Exhaust Kit(s):

- Model # 562535: 547867-(230V/3 Ph.) / 547868-(460V/3 Ph.)
- Model # 562536: 547876-(230V/3 Ph.) / 547878-(460V/3 Ph.)

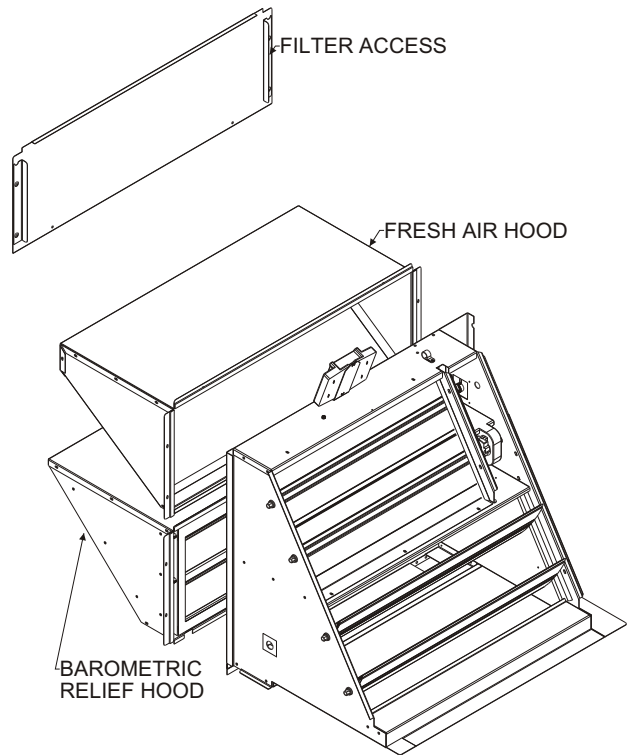
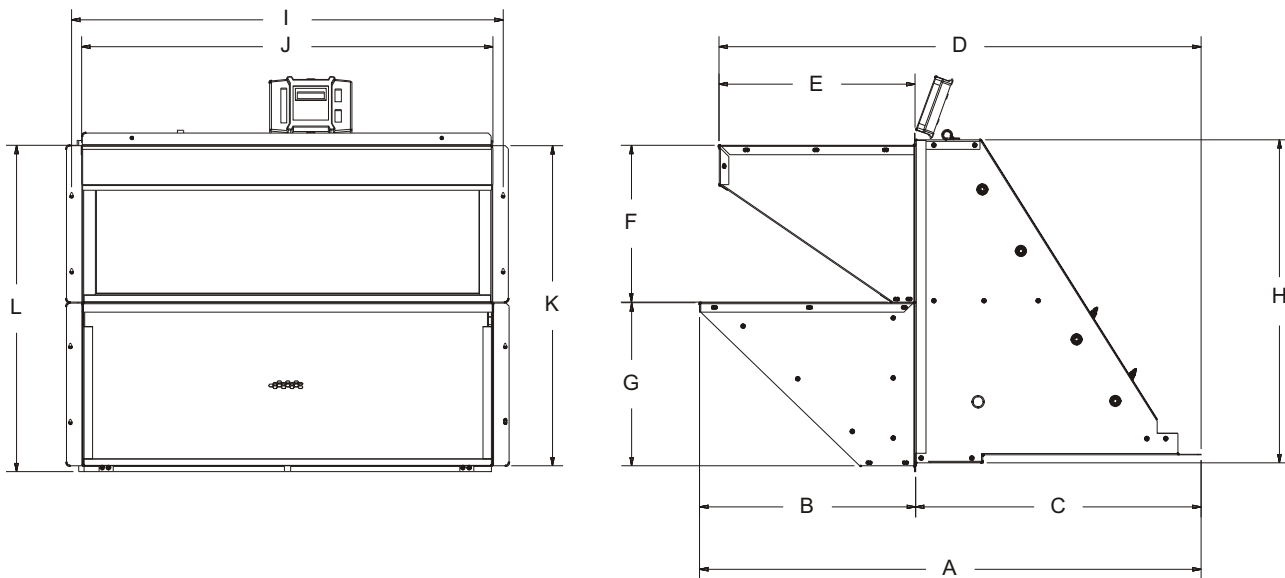


Figure 1



Unit#	Unit Dimensions (in.)												Unit Weights (lbs)	
	A	B	C	D	E	F	G	H	I	J	K	L	Shipping	Net
562535	39.64	17.07	22.57	38.12	15.50	12.40	12.90	25.55	34.12	32.50	25.33	25.81	101	50
562536	39.64	17.07	22.62	41.05	18.44	17.18	20.16	38.02	34.12	32.50	37.28	38.72	139	88

Figure 2

INSTALLATION INSTRUCTION

562535 AND 562536 ECONOMIZERS USING HONEYWELL W7220 JADE CONTROL PLATFORM USED WITH R6GP*, P6SP, AND Q6SP – 43" AND 55" CABINETS

I - APPLICATION

These economizers are used with R6GP*, P6SP, and Q6SP package units for automatic sensor-controlled introduction of outdoor air into the system through an electro-mechanically controlled damper. Outdoor air is mixed with the buildings return air to economically improve indoor air quality and aide in reducing energy costs.

Economizer slides into horizontal return air opening. The Mixed air sensor, C7250A, is shipped with economizer and must be relocated to the unit's blower section. Intake and exhaust hoods are packaged with economizers and installed according to instructions below.

II - ECONOMIZER INSTALLATION

1. Disconnect all power to unit.
2. Cut and discard wire tie securing 15 pin connector wire bundle to the assembly.

Important - DO NOT cut other wires. Inspect for damaged connections or loose wires.

3. Remove controls package located in economizer damper motor section containing the mixed air sensor. See Figure 3.

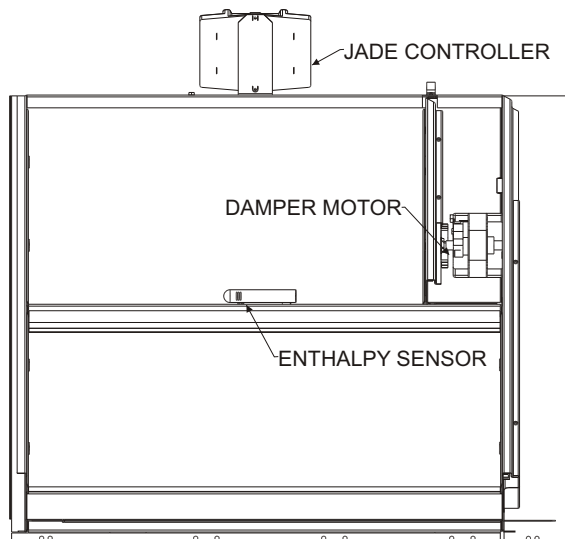


Figure 3

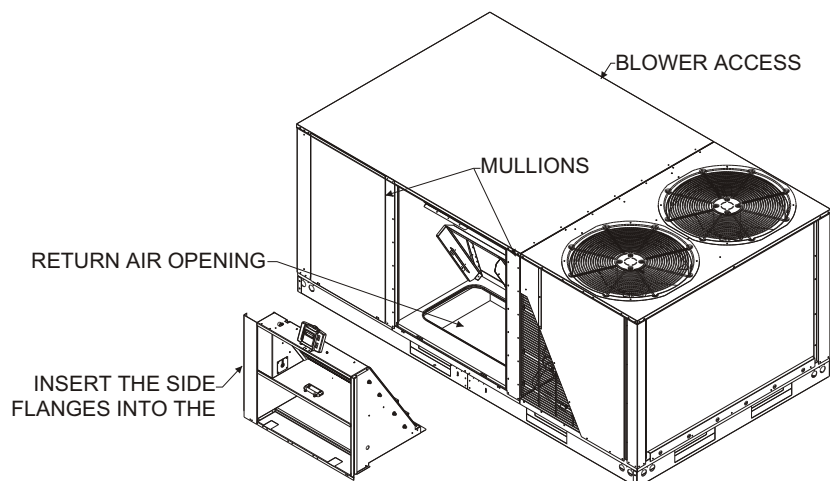
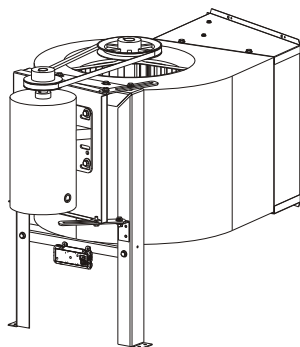


Figure 4

4. Remove control and blower access panels (opposite side of filter section). Mount mixed air sensor to lower horizontal blower support using screws provided. See Figure 4.
5. Cut and discard wire tie securing two purple wires at blower support base and connect to the C7250A mixed air sensor using wiring harness supplied in parts package. Replace blower access panel ensuring top flange of panel locks behind control panel flange.
6. Remove the filter access panel and locate the unit's economizer connection (S1) and remove the installed jumper plug. See Figure 5.

Note: Secure and leave unit jumper plug in the economizer control panel for later use if the economizer needs to be bypassed.

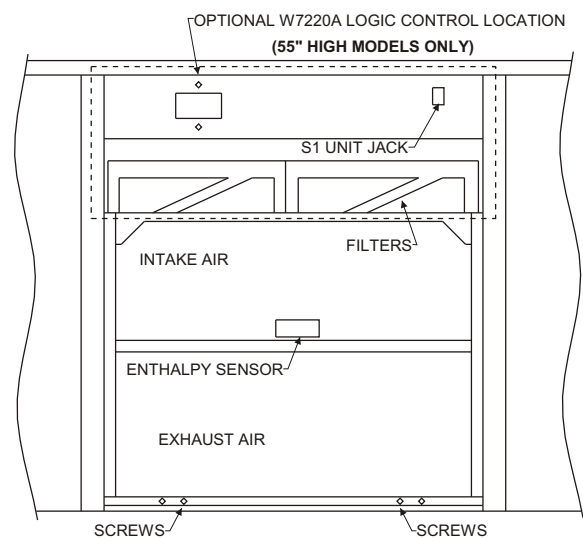


Figure 5

7. Connect the 15 pin economizer control plug (P1) to unit connection (S1) in the economizer control panel.
- 7a. (Optional) Install differential enthalpy and/or DCV (CO2) sensor controls and wiring according to that kit's instructions prior to installing economizer as required. (See accessory installation instructions.)

INSTALLATION INSTRUCTION

562535 AND 562536 ECONOMIZERS USING
HONEYWELL W7220 JADE CONTROL PLATFORM
USED WITH R6GP*, P6SP, AND Q6SP – 43" AND 55" CABINETS

8. Slide economizer into the unit while fully inserting economizer side flanges into the unit standing seams. Route and secure any loose wiring away from moving parts of the economizer. Using existing screws from bottom of discarded return air panel to secure economizer bottom flange to unit. See Figure 5.
9. **(Optional)** For 55" cabinet height units only the JADE W7220 Logic control can be relocated from the top of the economizer to the unit economizer control panel using mounting holes provided. Route economizer wiring to the left side of control panel to avoid interference with filter access and secure excess wiring to the top of the left filter rack bracket with a push type wire tie. Secure JADE W7220 logic control using screws provided.
- 9a. If installed, ensure differential enthalpy control and/or DCV (CO₂) sensor wiring connections are made in accordance with that kits installation instructions prior to testing the economizer system.
10. Restore power to unit and check for proper economizer operation. **(See Appendix A on Pages 7-17)**

DOWN FLOW APPLICATION

11. On right side mullion locate six dimples for hood alignment and pre-drill using a $\frac{1}{8}$ " drill bit.
12. **Installing Barometric Relief Hood:** Remove only the mating bottom two or three screws (43" or 55" cabinets) from left mullion to avoid divider panel misalignment and install barometric relief hood in front of exhaust air opening. Secure using screws provided.
13. **Installing Fresh Air Hood:** Remove the next two or three screws up on left mullion and install fresh air hood in front of intake opening. Secure using screws provided.
14. Slide filter access panel underneath top of unit and secure to top flange of fresh air hood and mullions using screws provided.
15. Seal all hoods as required to eliminate water entering the unit using standard construction methods and materials.
16. Replace all unit panels

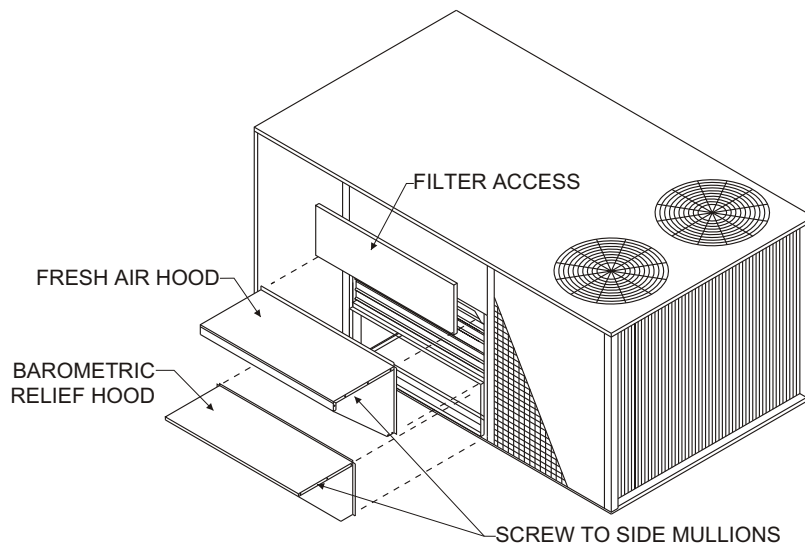


Figure 6

INSTALLATION INSTRUCTION

562535 AND 562536 ECONOMIZERS USING
HONEYWELL W7220 JADE CONTROL PLATFORM
USED WITH R6GP*, P6SP, AND Q6SP – 43" AND 55" CABINETS

HORIZONTAL APPLICATION

10. **Installing Return Air Duct:** Attach field fabricated horizontal duct to unit by aligning inside of duct to the outside edges of the economizer left and right flanges while aligning the $\frac{5}{8}$ " top duct flange with economizer center horizontal flange. Secure to unit side mullions ensuring screws stay within the return air section of the cabinet.
11. **Installing Fresh Air Hood:** Remove the next two or three screws up on left mullion. Locate and identify mating two or three dimples on right mullion and [pre-drill using $\frac{1}{8}$ " drill bit. Install fresh air hood in front of intake opening and secure using screws provided.
12. **Installing Barometric Relief Hood:** Cut opening in side of horizontal return air duct to dimension "A" as shown in Table. Align barometric relief hood over opening and secure using screws provided.
13. Slide filter access panel underneath top of unit and secure to top flange of fresh air hood and mullions using screws provided.
14. Seal all hoods and ducts as required to eliminate water entering the unit using standard construction methods and materials.
15. Replace all unit panels.

NOTE: For HORIZONTAL applications the following kits and ducts are required.

Unit Description	Cabinet Height (in.)	Use Horizontal Duct Kit #	Supply Air Duct Size (i.s.)	Return Air Duct Size (i.s.)	Barometric Hood Side Hole Size "A"
R6GP/P6SP- 072 / 090	43	559914	16.38"W x 30.25"H	28"W x 12.50"H	31"W x 11"H
All other R6/P6/Q6 Series	55	547881		28"W x 19.5"H	31"W x 18"H

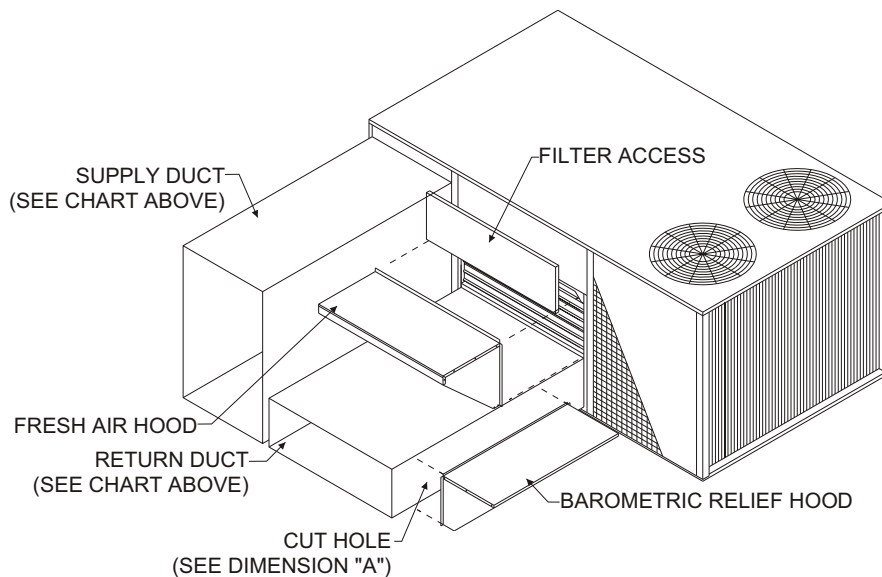


Figure 7

III - MAINTENANCE

1. Damper motor is pre-lubricated and does not require further lubrication.
2. Make visual inspection of dampers and linkage assemblies during routine maintenance. Clean as necessary.
3. Unit return air filters should be checked and replaced every 30-45 days, more frequently depending on the environment.
4. Permanent fresh air hood filters should be checked regularly when changing unit return air filters and cleaned when necessary.
5. The washable permanent filters supplied with the economizer can be cleaned with water and a mild detergent.
6. Take note of "Air Flow Direction" marking on filter frame when reinstalling.
7. If filter must be replaced, filter of like kind and size must be used. **DO NOT** replace permanent filters with throwaway type filters.

INSTALLATION INSTRUCTION

562535 AND 562536 ECONOMIZERS USING
HONEYWELL W7220 JADE CONTROL PLATFORM
USED WITH R6GP*, P6SP, AND Q6SP – 43" AND 55" CABINETS

BASIC ECONOMIZER OPERATION

A. Cooling Mode

1. On a call for cooling, with ambient temperature and humidity above programmed enthalpy control setpoint, dampers will open to minimum vent position.
2. On a call for cooling, with ambient temperature and humidity suitable for cooling, enthalpy control will shift stage one control to outside air and shift stage two thermostat to first stage compressor. Damper will modulate to control supply programmed air temperature or default setting of 53° F. If additional cooling is required, compressor one may be energized through second stage of thermostat.

See Appendix A – Sequence of Operation section for your specific set up.

Ex..- Enthalpy Operation, No DCV,(CO2 sensor) – 1 speed indoor motor

B. Heating Mode

1. On a call for heat damper will open to the minimum vent position only.

Differential Enthalpy Settings

For units equipped with a differential enthalpy sensor, refer to the instructions include in the 922431 accessory kit.

Minimum Fresh Air Damper Position Adjustment

Damper minimum position keeps the outdoor air damper from closing completely during system operation for ventilation of building contaminants and people occupancy. For design CFM per person requirements for all building types refer to ASHRAE Standard 62.1; Section 6 and/or consult your State or local codes as required.

1. Ensure main power to outdoor unit is disconnected.
2. Set thermostat "SYSTEM" switch to "OFF" position and "FAN" switch to "AUTO".
3. Install jumper wire across unit low voltage terminal board "R" and "G" terminal.
4. Calculate the appropriate mixed air temperature per the following equation:

$$\boxed{\text{Return Air Temperature}} \times \boxed{\% \text{ of Return Air}} + \boxed{\text{Outside Air Temperature}} \times \boxed{\% \text{ of Outside Air}} = \text{Mixed Air Temperature}$$

Formula for Adjusting the Minimum Position Control

Example: Assume local code requires 10% outdoor air during occupied conditions, (300 CFM of total unit CFM = 3,000) outdoor air is 50 Deg. F, and return air is 75 Deg. F.

Under these conditions, what is the mixed air temperature of the supply duct?

$$\boxed{50^\circ \text{ F} \times 0.1} + \boxed{75^\circ \text{ F} \times 0.9} = \boxed{5.0^\circ \text{ F} + 67.5^\circ \text{ F}} = 72.5^\circ \text{ F}$$

5. Restore power to the outdoor section. **CAUTION: Blower will energize.**
6. Carefully adjust the MIN POS DC Voltage output as outlined in Appendix "A" SETPOINT MENU until the mixed air temperature reaches the calculated value of approximately 72.5° F. Mixed air temperature can be verified by viewing MA TEMP under STATUS MENU. Ensure both sets of damper blades are operating properly.
7. Once minimum position adjustments are completed, turn off power to the outdoor unit. Damper will move to fully close.
8. Remove jumper wire between "R" and "G".
9. Replace control access panel and restore power to unit and thermostat.

INSTALLATION INSTRUCTION

562535 AND 562536 ECONOMIZERS USING
HONEYWELL W7220 JADE CONTROL PLATFORM
USED WITH R6GP*, P6SP, AND Q6SP – 43" AND 55" CABINETS

APPENDIX A

User Interface

The user interface consists of an LCD display and a 4-button keypad on the front of the Economizer module. The LCD is a 16 character by 2 line dot matrix display.

Power Up Cycle

All setpoints and advanced settings are restored after any power loss (a power loss is assumed if voltage falls below 18 Vac). Normal operation is restored when power returns above 18 Vac.

Initial Menu Display

On initial startup, **Honeywell** displays on the first line and **Economizer W7220** on the second line. After a brief pause, the revision of the software appears on the first line (second line is blank). It then displays **W7220 ↓** on the first line and **STATUS** on the second line.



Figure 8

Keypad

The four navigation buttons illustrated in **Figure 8** are used to scroll through the menus and menu items, select menu items, and to change parameter and configuration settings.

Using the Keypad with Menus

To use the keypad when working with menus:

- Press the ▲ button to move to the previous menu.
- Press the ▼ button to move to the next menu.
- Press the ↵ button (Enter) to display the first item in the currently displayed menu.
- Press the ↑ button (Menu up) to exit a menu's item and return to the list of menus.

Using the Keypad with Settings and Parameters

To use the keypad when working with Setpoints, System and Advanced Settings, Checkout tests, and Alarms:

- Navigate to the desired menu.

- Press the ↵ button (Enter) to display the first item in the currently displayed menu.
- Use the ▲ and ▼ buttons to scroll to the desired parameter.
- Press the ↵ button (Enter) to display the value of the currently displayed item.
- Press the ▲ button to increase (change) the displayed parameter value.^a
- Press the ▼ button to decrease (change) the displayed parameter value.^a
- Press the ↵ button to accept the displayed value and store it in non-volatile RAM.
- When the value is accepted, **CHANGE STORED** is displayed on the LCD.
- Press the ↵ button (Enter) to return to the current menu parameter.
- Press the ↑ button (MenuUp/Exit) to return to the previous menu.

^a When values are displayed, pressing and holding the ▲ or ▼ button causes the display to automatically increment.

Menu Structure

The following tables illustrate the complete hierarchy of menus and parameters for the JADE™ Economizer system.

The Menus in display order are:

- STATUS
- SETPOINTS
- SYSTEM SETUP
- ADVANCED SETUP
- CHECKOUT
- ALARMS

IMPORTANT

Your menu parameters may be different depending on your configuration.

For example if you do not have a DCV (CO₂) sensor, then none of the DCV parameters appear and only MIN POS will display. If you have a CO₂ sensor, the DCV MIN and DCV MAX will appear AND if you have 2 speed fan DCV MIN (high and low speed) and DCV MAX (high and low speed will appear).

SETUP AND CONFIGURATION

Before being placed into service, the JADE™ Economizer module must be setup and configured for the installed system. Use the System Setup menu, the Advanced Setup menu (if necessary), and the Setpoints menu to accomplish this.

Time-out and Screen saver

When no buttons have been pressed for 10 minutes, the LCD displays a screen saver, which cycles through the Status items. Each Status items displays in turn and cycles to the next item after 5 seconds.

INSTALLATION INSTRUCTION

562535 AND 562536 ECONOMIZERS USING
HONEYWELL W7220 JADE CONTROL PLATFORM
USED WITH R6GP*, P6SP, AND Q6SP – 43" AND 55" CABINETS

APPENDIX A

STATUS MENU

Parameter	Parameter Default Value	Parameter Range and Increment ^a	Notes
ECON AVAIL	NO	YES/NO	YES = economizing available; the system can use Outdoor Air for free cooling when required.
ECONOMIZING	NO	YES/NO	YES = Outdoor Air being used for 1st stage cooling.
OCCUPIED	NO	YES/NO	YES = OCC signal received from space thermostat or unitary controller. YES = 24 Vac on terminal OCC No = 0 Vac on terminal OCC.
HEAT PUMP	COOL	COOL/HEAT	Displays COOL or HEAT when SYSTEM is set to heat pump (non-conventional)
COOL Y1-IN	OFF	ON/OFF	Y1-I signal from space thermostat input for cooling stage 1 or heat pump heating stage 1. ON = 24 Vac on terminal Y1-I OFF = 0 Vac on terminal Y1-I
COOL Y1-OUT	OFF	ON/OFF	Cool Stage 1 Relay Output to stage 1 mechanical cooling (Y1-OUT terminal).
COOL Y2-IN	OFF	ON/OFF	Y2-I signal from space thermostat input for second stage cooling or heat pump heating stage 2. ON = 24 Vac on terminal Y2-I OFF = 0 Vac on terminal Y2-I
COOL Y2-OUT	OFF	ON/OFF	Cool Stage 2 Relay Output to mechanical cooling (Y2-OUT terminal).
MA TEMP	___°F	-40 to 150°F	Displays value of measured mixed air from MAT sensor. Displays -- if not connected, short, or out-of-range.
DA TEMP	___°F	-40 to 150°F	Displays when Discharge Air Sylk Bus sensor is connected and displays measured discharge air temperature. Displays -°F if sensor sends invalid value, if not connected, short or out-of-range.
OA TEMP	___°F	-40 to 140°F	Displays measured value of outdoor air temperature. Displays -°F if sensor sends invalid value, if not connected, short or out-of-range.
OA HUM	__%	0 to 100%	Displays measured value of outdoor humidity from OA Sylkbus sensor. Displays -% if not connected, short, or out-of-range.
RA TEMP	___°F	0 to 140°F	If field installed Dual Enthalpy sensor is connected, displays measured value of return air temperature. Displays -°F if sensor sends invalid value, if not connected, short or out-of-range.
RA HUM	__%	0 to 100%	If field installed Dual Enthalpy sensor is connected, displays measured value of return air humidity. Displays -% if sensor sends invalid value, if not connected, short or out-of-range.
IN CO ₂	___ ppm	"0 to 2000 (3500) ppm"	If field installed CO ₂ sensor is connected, displays value of measured CO ₂ . Invalid if not connected, short or out-of-range. May be adjusted in Advanced menu by Zero offset and Span.
DCV STATUS	n/a	n/a	If field installed CO ₂ sensor is connected, displays ON if above setpoint and OFF if below setpoint.
DAMPER OUT	__%	0 to 100%	Displays output position to the damper actuator. When used with Honeywell communicating actuator the damper out is in XX.X%
ACT POS.	n/a	0 to 100%	Displays actual position of actuator.
ACT COUNT	n/a	1 to 65,535	Displays number of times actuator has cycled. 1 Cycle equals 180° of movement in any direction.
ACTUATOR	n/a	OK/Alarm	Displays Error on ALARM MENU if voltage or torque is below actuator range.
EXH1 OUT	OFF	ON/OFF	Output of EXH1 terminal. Displays ON when damper position reaches programmed percentage setpoint. ON = 24 Vac Output; OFF = No Output.
EXH2 OUT	OFF	ON/OFF	Output of AUX1 O terminal Displays ON when damper position reaches programmed percentage setpoint ON = 24 Vac Output, OFF = No Output; displays only if AUX1 O = EXH2
ERV	OFF	ON/OFF	Output of AUX1 O terminal, ON = 24 Vac Output, OFF = No Output; displays only if AUX1 O = ERV
MECH COOL ON	0	0, 1, or 2	Displays number of mechanical cooling stages that are active.
FAN SPEED	n/a	LOW/HIGH	Displays speed of fan on a 2-speed fan unit
W (HEAT IN)	n/a	ON/OFF	Displays status of heat on a 2-speed fan unit.

When values are displayed, pressing and holding the ▲ or ▼ button causes the display to automatically increment.

INSTALLATION INSTRUCTION

562535 AND 562536 ECONOMIZERS USING
HONEYWELL W7220 JADE CONTROL PLATFORM
USED WITH R6GP*, P6SP, AND Q6SP – 43" AND 55" CABINETS

APPENDIX A

SETPOINTS MENU

Parameter	Parameter Default Value	Parameter Range and Increment ^a	Notes
MAT SET	53°F	38 to 70°F; increment by 1	The economizer will modulate the OA damper to maintain the mixed air temperature at the setpoint.
LOW T LOCK	32°F	-45 to 80°F; increment by 1	Setpoint determines outdoor temperature when the mechanical cooling cannot be turned on. Commonly referred to as the Compressor lockout. At or below the setpoint the Y1-O and Y2-O will not be energized on the controller.
DRYBLB SET	63°F	48 to 80°F; increment by 1	Setpoint determines where the economizer will assume outdoor air temperature is good for free cooling; e.g.; at 63 °F setpoint unit will economize at 62 °F and below and not economize at 64 °F and above. There is a 2 °F deadband.
ENTH CURVE	ES3	ES1, ES2, ES3, ES4, or ES5	Does not display if a field installed Dual Enthalpy kit is connected. Enthalpy boundary "curves" for economizing using single enthalpy comparison between outdoor air enthalpy and setpoint.
DCV SET	1100 ppm	500 to 2000 ppm increment by 100	Displays ONLY if field installed CO ₂ sensor is connected. Setpoint for Demand Control Ventilation of space. Above the setpoint, the OA dampers will modulate open to bring in additional OA to maintain a space ppm level below the setpoint.
MIN POS	2.8 V	2 to 10 Vdc	Displays ONLY if a CO ₂ sensor is NOT connected. With 2-speed fan units MIN POS L (low speed fan) and MIN POS H (high speed fan) settings are required. Default for MIN POS L is 3.2V and MIN POS H is 2.8V
VENTMAX	2.8 V	2 to 10 Vdc	Displays only if a field installed CO ₂ sensor is connected. Used for Vbz (ventilation max cfm) setpoint. VENTMAX is the same setting as MIN POS would be if you did not have the CO ₂ sensor.
		100 to 9990 cfm increment by 10	If OA, MA, RA and CO ₂ sensors are connected and DCV CAL ENABLE is set to AUTO mode, the OA dampers are controlled by CFM and displays from 100 to 9990 cfm.
VENTMIN	2.25 V	2 to 10 Vdc	Displays only if field installed CO ₂ sensor is connected. Used for Va (ventilation min cfm) setpoint. This is the ventilation requirement for less than maximum occupancy of the space.
		100 to 9990 cfm increment by 10	If OA, MA, RA and CO ₂ sensors are connected and DCV CAL ENABLE is set to AUTO mode, the OA dampers are controlled by CFM and displays from 100 to 9990 cfm.
		2 to 10 Vdc	With 2-speed fan units VENTMIN L (low speed fan) and VENTMIN H (high speed fan) settings are required. Default for VENTMIN L is 2.5V and VENTMIN H is 2.25V.
ERV OAT SP ^b	32°F	0 to 50°F; increment by 1	Only when AUX1 O = ERV
EXH1 SET	50%	0 to 100%; increment by 1	Setpoint for OA damper position when exhaust fan 1 is powered by the economizer. With 2-speed fan units Exh1 L (low speed fan) and Exh1 H (high speed fan) settings are required. Default for Exh1 L is 65% and Exh1 H is 50%.
EXH2 SET	75%	0 to 100%; increment by 1	Setpoint for OA damper position when exhaust fan 2 is powered by the economizer. Only used when AUX1 O is set to EH2. With 2-speed fan units Exh2 L (low speed fan) and Exh2 H (high speed fan) settings are required. Default for Exh2 L is 80% and Exh2 H is 75%.

^a When values are displayed, pressing and holding the ▲ or ▼ button causes the display to automatically increment.

^b ERV Operation: When in Cooling mode AND the conditions are NOT OK for economizing - the ERV terminal will be energized. In the Heating mode the ERV terminal will be energized when the OA is below the ERV OAT setpoint in the setpoint menu.

INSTALLATION INSTRUCTION

562535 AND 562536 ECONOMIZERS USING
HONEYWELL W7220 JADE CONTROL PLATFORM
USED WITH R6GP*, P6SP, AND Q6SP – 43" AND 55" CABINETS

APPENDIX A

SYSTEM SETUP MENU

Parameter	Parameter Default Value	Parameter Range and Increment ^a	Notes
INSTALL	01/01/2011		Display order = MM/DD/YY. Setting order = DD, MM, then YY.
UNITS DEG	°F	°F or °C	Sets economizer controller in degrees Fahrenheit or Celsius.
EQUIPMENT	CONV	CONV HP	CONV = conventional. HP O/B = Enables Heat Pump mode. Use AUX2 I for Heat Pump input from thermostat or controller.
AUX2 I	N/A	Shutdown (SD) Heat (W1) HP(O) HP(B)	In CONV mode: SD = Enables configuration of shutdown (default); W = Informs controller that system is in heating mode. NOTE: If using 2-speed fan mode, you must pro-gram CONV mode for W. Shutdown is not available in the two-speed fan mode. In HP O/B mode: HP(O) = energize heat pump on Cool (default); HP(B) = energize heat pump on Heat.
FAN TYPE	1 speed	1 speed/ 2 speed	Sets economizer controller for operation of 1 speed or 2 speed supply fan. The controller does not control the fan but positions the OA and RA dampers to the heating or cooling mode. NOTE: 2-speed fan option also needs Heat (W1) pro-grammed in AUX 2 In.
FAN CFM	5000cfm	100 to 15000 cfm; increment by 100	This is the capacity of the RTU. The value is found on the label from the RTU manufacturer. The cfm of the fan is only used with DCV CAL ENABLE AUO
AUX1 OUT	NONE	NONE ERV EXH2 SYS	<ul style="list-style-type: none"> • NONE = not configured (output is not used) • ERV= Energy Recovery Ventilator • EXH2 = second damper position relay closure for second exhaust fan. • SYS = use output as an alarm signal
OCC	INPUT	INPUT or ALWAYS	When using a setback thermostat with occupancy out (24 Vac), the 24 Vac is input "INPUT" to the OCC terminal. If no occupancy output from the thermostat then change program to "ALWAYS" OR add a jumper from terminal R to OCC terminal.
FACTORY DEFAULT	NO	NO or YES	Resets all set points to factory defaults when set to YES. LCD will briefly flash YES and change to NO but all parameters will change to factory default values.

^a When values are displayed, pressing and holding the ▲ or ▼ button causes the display to automatically increment.

INSTALLATION INSTRUCTION

562535 AND 562536 ECONOMIZERS USING
HONEYWELL W7220 JADE CONTROL PLATFORM
USED WITH R6GP*, P6SP, AND Q6SP – 43" AND 55" CABINETS

APPENDIX A

ADVANCE SETUP MENU

Parameter	Parameter Default Value	Parameter Range and Increment ^a	Notes
MA LO SET	45°F	35 to 55°F increment by 1°	Temp to activate Freeze Protection (close damper or modulate to MIN POS if temp falls below set value)
FREEZE POS	CLO	CLO MIN	Damper position when freeze protection is active (closed or MIN POS).
CO ₂ ZERO	0 ppm	0 to 500 ppm increment by 10	Displays only if field installed CO ₂ sensor is connected. CO ₂ ppm level to match CO ₂ sensor start level.
CO ₂ SPAN	2000 ppm	1000 to 3000 ppm; increment by 50	Displays only if field installed CO ₂ sensor is connected. CO ₂ ppm span to match CO ₂ sensor; e.g.; 500-1500 sensor output would be 500 CO ₂ zero and 1000 CO ₂ span. See note on page 6 for C7632 CO ₂ sensor.
STG3 DLY	2.0h	0 min, 5 min, 15 min, then 15 min intervals. Up to 4h or OFF	Delay after stage 2 for cool has been active. Turns on 2nd stage of mechanical cooling when economizer is 1st stage call and mechanical cooling is 2nd stage call. Allows three stages of cooling, 1 economizer and 2 mechanical. OFF = no Stage 3 cooling.
SD DMPR POS	CLO	CLO OPN	Indicates shutdown signal from space thermostat. When controller receives 24 Vac input on the SD terminal in conventional mode, the OA damper will open if programmed for OPN and OA damper will close if programmed for CLO. All other controls, e.g., Y1-O, Y2-O, EXH1, etc. will shut off.
DCVCAL ENA	MAN	MAN (manual) AUTO	Turns on the DCV automatic control of the dampers. Resets ventilation based on the RA, OA and MA sensor conditions. Requires all sensors (RA, OA, MA and CO ₂). This operation is not operable with a 2-speed fan unit.
MAT T CAL	0.0 F°	+/-2.5F°	Allows for the operator to adjust for an out of calibration mixed air temperature sensor.
OAS T CAL	0.0F°	+/-2.5F°	Allows for the operator to adjust for an out of calibration outdoor air temperature sensor.
OAS H CAL	0% RH	+/-10% RH	Allows for the operator to adjust for an out of calibration outdoor air humidity sensor.
RA T CAL	0.0F°	+/-2.5F°	If field installed Dual Enthalpy sensor is connected, allows for the operator to adjust for an out of calibration temperature sensor.
RA H CAL	0% RH	+/-10% RH	If field installed Dual Enthalpy sensor is connected, allows for the operator to adjust for an out of calibration humidity sensor.
DA T CAL	0.0 F°	+/-2.5F°	Allows for the operator to adjust for an out of calibration Discharge Air Syk Bus temperature sensor.
2SP FAN DELAY	5 Minutes	0 to 20 minutes in 1 minute increments.	When in economizing mode this is the delay for the high speed fan to try to satisfy the call for second stage cooling before the first stage mechanical cooling is enabled.

^a When values are displayed, pressing and holding the ▲ or ▼ button causes the display to automatically increment.

INSTALLATION INSTRUCTION

562535 AND 562536 ECONOMIZERS USING
HONEYWELL W7220 JADE CONTROL PLATFORM
USED WITH R6GP*, P6SP, AND Q6SP – 43" AND 55" CABINETS

APPENDIX A

CHECKOUT MENU^c

Parameter	Parameter Default Value	Parameter Range and Increment ^a	Notes
DAMPER VMIN-HS	n/a	n/a	Positions damper to VMIN position
DAMPER VMAX-HS	n/a	n/a	Positions damper to VMAX position.
DAMPER VMAX-LS			With 2-speed fan units the damper will position to VMAX low speed fan.
DAMPER OPEN	n/a	n/a	Positions damper to the full open position. Exhaust fan contacts enable during the DAMPER OPEN test. Make sure you pause in this mode to allow for exhaust contacts to energize due to the delay in the system.
DAMPER CLOSE	n/a	n/a	Positions outside air damper to the fully closed position.
CONNECT Y1-O	n/a	n/a	Closes the Y1-O relay (Y1-O). See CAUTION on below
CONNECT Y2-O	n/a	n/a	Closes the Y2-O relay (Y2-O). See CAUTION on below
CONNECT AUX1-O	n/a	n/a	Energizes the AUX1-O output. If AUX1-O setting is: <ul style="list-style-type: none"> • NONE – no action taken • ERV – 24 Vac out. Turns on or signals an ERV that the conditions are not good for economizing but are good for ERV operation.^b • SYS – 24 Vac out. Issues a system alarm.
CONNECT EXH1	n/a	n/a	Closes the power exhaust fan 1 relay (EXH1)

^a When values are displayed, pressing and holding the p or q button causes the display to automatically increment.

^b ERV Operation: When in Cooling mode AND the conditions are NOT OK for economizing - the ERV terminal will be energized. In the Heating mode the ERV terminal will be energized when the OA is below the ERV OAT setpoint in the setpoint menu.

^c After 10 minutes without a command or mode change, the controller will change to normal operation.

CHECKOUT

Inspect all wiring connections at the Economizer module's terminals, and verify compliance with the installation wiring diagrams.

For checkout, review the Status of each configured parameter and perform the Checkout tests.

Note: See "Interface Overview" on page 5. for information about menu navigation and use of the keypad.



WARNING:

Electrical Shock Hazard.

Can cause severe injury, death or property damage. Disconnect power supply before beginning wiring or making wiring connections, to prevent electrical shock or equipment damage.

If any wiring changes are required, first be sure to remove power from the Economizer module before starting work. Pay particular attention to verifying the power connection (24 Vac).

Power Up

After the module is mounted and wired, apply power.

Power Up Delay

Upon power up (or after a power outage or brownout), the W7220 controller module begins a 5 minute power up delay before enabling mechanical cooling.

Power Loss (Outage or Brownout)

All setpoints and advanced settings are restored^a after any power loss or interruption.

Note: If power goes below 18 Vac, the W7220 controller module assumes a power loss and the 5 minute power up delay will become functional when power returns above 18 Vac.

^a All settings are stored in non-volatile flash memory.

Status

Use the **Status Menu** to check the parameter values for the various devices and sensors configured.

Checkout Tests

Use the **Checkout Menu** to test the damper operation and any configured outputs. Only items that are configured are shown in the Checkout menu.

To perform a Checkout test:

1. Scroll to the desired test in the Checkout menu using the ▲ and ▼ buttons.
2. Press the ← button to select the item.
3. RUN? appears on the display.
4. Press the ← button to start the test.
5. The unit pauses and then displays **TEST RUNNING**.
6. Press the button ↑ (Menu up) to end the test (e.g. turn off the relay). Test stops automatically after 10 minutes without a command or mode change, and will resume normal operation.

The checkout tests can all be performed at the time of installation or any time during the operation of the system as a test that the system is operable.



CAUTION

Equipment damage may result.

Be sure to allow enough time for compressor startup and shutdown between checkout tests so that you do not short-cycle the compressors.

INSTALLATION INSTRUCTION

562535 AND 562536 ECONOMIZERS USING
HONEYWELL W7220 JADE CONTROL PLATFORM
USED WITH R6GP*, P6SP, AND Q6SP – 43" AND 55" CABINETS

APPENDIX A

ALARM MENU

Parameter	Parameter Default Value	Parameter Range and Increment ^a	Notes
MA T SENS ERR	n/a	n/a	Alarms display only when they are active. The menu title "ALARMS (_)" includes the number of active alarms in parenthesis ().
CO ₂ SENS ERR	n/a	n/a	
OA T SENS ERR	n/a	n/a	
DA ENTHL ERR	n/a	n/a	
SYS ALARM	n/a	n/a	When AUX1 O is set to SYS and there is any alarm (e.g., failed sensors, etc.), the AUX1 O terminal has 24 Vac out.
ACT UNDER V	n/a	n/a	Voltage received by Actuator is above expected range
ACT OVER V	n/a	n/a	Voltage received by Actuator is below expected range
ACT STALLED	n/a	n/a	Actuator stopped before achieving commanded position

^a When values are displayed, pressing and holding the p or q button causes the display to automatically increment.

Alarms

The Economizer module provides alarm messages that display on the 2-line LCD.

NOTE: Upon power up, the module waits 60 minutes before checking for alarms. This allows time for all the configured devices (e.g. sensors, actuator) to become operational. The exception is the MA sensor which will alarm immediately.

If one or more alarms are present and there has been no keypad activity for at least 5 minutes, the Alarms menu displays and cycles through the active alarms. You can also navigate to the Alarms menu at any time.

Clearing Alarms

Once the alarm has been identified and the cause has been removed (e.g. replaced faulty sensor), the alarm can be cleared from the display. To clear an alarm, perform the following:

1. Navigate to the desired alarm.
2. Press the ← button.
3. **ERASE?** displays.
4. Press the ← button.
5. **ALARM ERASED** displays.
6. Press the button ↑ (MenuUp/Exit) to complete the action and return to the previous menu.

NOTE: If an alarm still exists after you clear it, it redisplay within 5 seconds.

INSTALLATION INSTRUCTION

562535 AND 562536 ECONOMIZERS USING
HONEYWELL W7220 JADE CONTROL PLATFORM
USED WITH R6GP*, P6SP, AND Q6SP – 43" AND 55" CABINETS

APPENDIX A

SEQUENCE OF OPERATION

Dry Bulb Operation No DCV (CO2 sensor) - 1 Speed Fan.								
DCV	OA Good to economize?	Y1-I	Y2-I	FAN SPD	Y1-O	Y2-O	Occupied	Unoccupied
None	No	Off	Off	High	0-v/Off	0-v/Off	MIN POS	Closed
		On	Off	High	24-v/On	0-v/Off	MIN POS	Closed
		On	On	High	24-v/On	24-v/On	MIN POS	Closed
None	Yes	Off	Off	High	0-v/Off	0-v/Off	MIN POS	Closed
		On	Off	High	0-v/Off	0-v/Off	MIN POS to Full-Open	Closed to Full-Open
		On	On	High	24-v/On	0-v/Off ^a	MIN POS to Full-Open	Closed to Full-Open

^a With stage 3 delay (STG3 DLY) in Advanced setup menu can turn on 2nd stage of mechanical cooling Y2 –O after the delay if the call for Y1-I and Y2-I have not been satisfied.

Dry Bulb Operation With DCV (CO2 sensor) - 1 Speed Fan.								
DCV	OA Good to economize?	Y1-I	Y2-I	FAN SPD	Y1-O	Y2-O	Occupied	Unoccupied
Below CO2 set	No	Off	Off	High	0-v/Off	0-v/Off	VENTMIN	Closed
		On	Off	High	24-v/On	0-v/Off	VENTMIN	Closed
		On	On	High	24-v/On	24-v/On	VENTMIN	Closed
	Yes	Off	Off	High	0-v/Off	0-v/Off	VENTMIN	Closed
		On	Off	High	0-v/Off	0-v/Off	VENTMIN to Full-Open	Closed to Full-Open
		On	On	High	24-v/On	0-v/Off ^a	VENTMIN to Full-Open	Closed to Full-Open
Above CO2 set	No	Off	Off	High	0-v/Off	0-v/Off	VENTMIN to VENTMAX	Closed
		On	Off	High	24-v/On	0-v/Off	VENTMIN to VENTMAX	Closed
		On	On	High	24-v/On	24-v/On	VENTMIN to VENTMAX	Closed
	Yes	Off	Off	High	0-v/Off	0-v/Off	VENTMIN to VENTMAX	Closed
		On	Off	High	0-v/Off	0-v/Off	VENTMIN to Full-Open	Closed to Full-Open
		On	On	High	24-v/On	0-v/Off ^a	VENTMIN to Full-Open	Closed to Full-Open

^a With stage 3 delay (STG3 DLY) in Advanced setup menu can turn on 2nd stage of mechanical cooling Y2 –O after the delay if the call for Y1-I and Y2-I have not been satisfied.

Enthalpy Operation No DCV (CO2 sensor) - 1 Speed Fan.								
DCV	OA Good to economize?	Y1-I	Y2-I	FAN SPD	Y1-O	Y2-O	Occupied	Unoccupied
None	No	Off	Off	High	0-v/Off	0-v/Off	MIN POS	Closed
		On	Off	High	24-v/On	0-v/Off	MIN POS	Closed
		On	On	High	24-v/On	24-v/On	MIN POS	Closed
None	Yes	Off	Off	High	0-v/Off	0-v/Off	MIN POS	Closed
		On	Off	High	0-v/Off	0-v/Off	MIN POS to Full-Open	Closed to Full-Open
		On	On	High	24-v/On	0-v/Off ^a	MIN POS to Full-Open	Closed to Full-Open

^a With stage 3 delay (STG3 DLY) in Advanced setup menu can turn on 2nd stage of mechanical cooling Y2 –O after the delay if the call for Y1-I and Y2-I have not been satisfied.

INSTALLATION INSTRUCTION

562535 AND 562536 ECONOMIZERS USING
HONEYWELL W7220 JADE CONTROL PLATFORM
USED WITH R6GP*, P6SP, AND Q6SP – 43" AND 55" CABINETS

APPENDIX A

Enthalpy Operation With DCV (CO2 sensor) - 1 Speed Fan.								
DCV	OA Good to economize?	Y1-I	Y2-I	FAN SPD	Y1-O	Y2-O	Occupied	Unoccupied
Below set	No	Off	Off	High	0-v/Off	0-v/Off	VENTMIN	Closed
		On	Off	High	24-v/On	0-v/Off	VENTMIN	Closed
		On	On	High	24-v/On	24-v/On	VENTMIN	Closed
	Yes	Off	Off	High	0-v/Off	0-v/Off	VENTMIN	Closed
		On	Off	High	0-v/Off	0-v/Off	VENTMIN to Full-Open	Closed to Full-Open
		On	On	High	24-v/On	0-v/Off ^a	VENTMIN to Full-Open	Closed to Full-Open
Above set	No	Off	Off	High	0-v/Off	0-v/Off	VENTMIN to VENTMAX	Closed
		On	Off	High	24-v/On	0-v/Off	VENTMIN L to VENTMAX	Closed
		On	On	High	24-v/On	24-v/On	VENTMIN H to VENTMAX	Closed
	Yes	Off	Off	High	0-v/Off	0-v/Off	VENTMIN L to VENTMAX	Closed
		On	Off	High	0-v/Off	0-v/Off	VENTMIN to Full-Open	Closed to Full-Open
		On	On	High	DELAY (b) 24-v/On	0-v/Off ^a	VENTMIN to Full-Open	Closed to Full-Open

^a With stage 3 delay (STG3 DLY) in Advanced setup menu can turn on 2nd stage of mechanical cooling Y2 –O after the delay if the call for Y1-I and Y2-I have not been satisfied.

Dry Bulb Operation No DCV (CO2 sensor) - 2 Speed Fan.								
DCV	OA Good to economize?	Y1-I	Y2-I	FAN SPD	Y1-O	Y2-O	Occupied	Unoccupied
None	No	Off	Off	Low	0-v/Off	0-v/Off	MIN POS L	Closed
		On	Off	Low	24-v/On	0-v/Off	MIN POS L	Closed
		On	On	High	24-v/On	24-v/On	MIN POS H	Closed
None	Yes	Off	Off	Low	0-v/Off	0-v/Off	MIN POS L	Closed
		On	Off	Low	0-v/Off	0-v/Off	MIN POS L to Full-Open	Closed to Full-Open
		On	On	High	DELAY ^b 24-v/On	0-v/Off ^a	MIN POS H to Full-Open	Closed to Full-Open

^a With stage 3 delay (STG3 DLY) in Advanced setup menu can turn on 2nd stage of mechanical cooling Y2 –O after the delay if the call for Y1-I and Y2-I have not been satisfied.

^b With 2SP FAN DELAY (Advanced Setup Menu) when in the economizing mode there is a delay for the high speed fan to try to satisfy the call for second stage cooling by turning on the fan to high and opening the OA damper 100% before the first stage mechanical cooling is enabled.

Dry Bulb Operation With DCV (CO2 sensor) - 2 Speed Fan.								
DCV	OA Good to economize?	Y1-I	Y2-I	FAN SPD	Y1-O	Y2-O	Occupied	Unoccupied
Below set	No	Off	Off	Low	0-v/Off	0-v/Off	VENTMIN L	Closed
		On	Off	Low	24-v/On	0-v/Off	VENTMIN L	Closed
		On	On	High	24-v/On	24-v/On	VENTMIN H	Closed
	Yes	Off	Off	Low	0-v/Off	0-v/Off	VENTMIN L	Closed
		On	Off	Low	0-v/Off	0-v/Off	VENTMIN L to Full-Open	Closed to Full-Open
		On	On	High	24-v/On	0-v/Off ^a	VENTMIN H to Full-Open	Closed to Full-Open
Above set	No	Off	Off	Low	0-v/Off	0-v/Off	VENTMIN L to VENTMAX	Closed
		On	Off	Low	24-v/On	0-v/Off	VENTMIN L to VENTMAX	Closed
		On	On	High	24-v/On	24-v/On	VENTMIN H to VENTMAX	Closed
	Yes	Off	Off	Low	0-v/Off	0-v/Off	VENTMIN L to VENTMAX	Closed
		On	Off	Low	0-v/Off	0-v/Off	VENTMIN L to Full-Open	Closed to Full-Open
		On	On	High	DELAY ^b 24-v/On	0-v/Off ^a	VENTMIN H to Full-Open	Closed to Full-Open

^a With stage 3 delay (STG3 DLY) in Advanced setup menu can turn on 2nd stage of mechanical cooling Y2 –O after the delay if the call for Y1-I and Y2-I have not been satisfied.

^b With 2SP FAN DELAY (Advanced Setup Menu) when in the economizing mode there is a delay for the high speed fan to try to satisfy the call for second stage cooling by turning on the fan to high and opening the OA damper 100% before the first stage mechanical cooling is enabled.

INSTALLATION INSTRUCTION

562535 AND 562536 ECONOMIZERS USING
HONEYWELL W7220 JADE CONTROL PLATFORM
USED WITH R6GP*, P6SP, AND Q6SP – 43" AND 55" CABINETS

APPENDIX A

Enthalpy Operation No DCV (CO2 sensor) - 2 Speed Fan.								
DCV	OA Good to economize?	Y1-I	Y2-I	FAN SPD	Y1-O	Y2-O	Occupied	Unoccupied
NO CO2 SENSOR	No	Off	Off	Low	0-v/Off	0-v/Off	MIN POS L	Closed
		On	Off	Low	24-v/On	0-v/Off	MIN POS L	Closed
		On	On	High	24-v/On	24-v/On	MIN POS H	Closed
	Yes	Off	Off	Low	0-v/Off	0-v/Off	MIN POS L	Closed
		On	Off	Low	0-v/Off	0-v/Off	MIN POS L to Full-Open	Closed to Full-Open
		On	On	High	DELAY ^b 24-v/On	0-v/Off ^a	MIN POS H to Full-Open	Closed to Full-Open

^a With stage 3 delay (STG3 DLY) in Advanced setup menu can turn on 2nd stage of mechanical cooling Y2 –O after the delay if the call for Y1-I and Y2-I have not been satisfied.

^b With 2SP FAN DELAY (Advanced Setup Menu) when in the economizing mode there is a delay for the high speed fan to try to satisfy the call for second stage cooling by turning on the fan to high and opening the OA damper 100% before the first stage mechanical cooling is enabled.

Dry Bulb Operation With DCV (CO2 sensor) - 2 Speed Fan.								
DCV	OA Good to economize?	Y1-I	Y2-I	FAN SPD	Y1-O	Y2-O	Occupied	Unoccupied
Below set	No	Off	Off	Low	0-v/Off	0-v/Off	VENTMIN L	Closed
		On	Off	Low	24-v/On	0-v/Off	VENTMIN L	Closed
		On	On	High	24-v/On	24-v/On	VENTMIN H	Closed
	Yes	Off	Off	Low	0-v/Off	0-v/Off	VENTMIN L	Closed
		On	Off	Low	0-v/Off	0-v/Off	VENTMIN L to Full-Open	Closed to Full-Open
		On	On	High	24-v/On	0-v/Off ^a	VENTMIN H to Full-Open	Closed to Full-Open
Above set	No	Off	Off	Low	0-v/Off	0-v/Off	VENTMIN L to VENTMAX	Closed
		On	Off	Low	24-v/On	0-v/Off	VENTMIN L to VENTMAX	Closed
		On	On	High	24-v/On	24-v/On	VENTMIN H to VENTMAX	Closed
	Yes	Off	Off	Low	0-v/Off	0-v/Off	VENTMIN L to VENTMAX	Closed
		On	Off	Low	0-v/Off	0-v/Off	VENTMIN L to Full-Open	Closed to Full-Open
		On	On	High	DELAY ^b 24-v/On	0-v/Off ^a	VENTMIN H to Full-Open	Closed to Full-Open

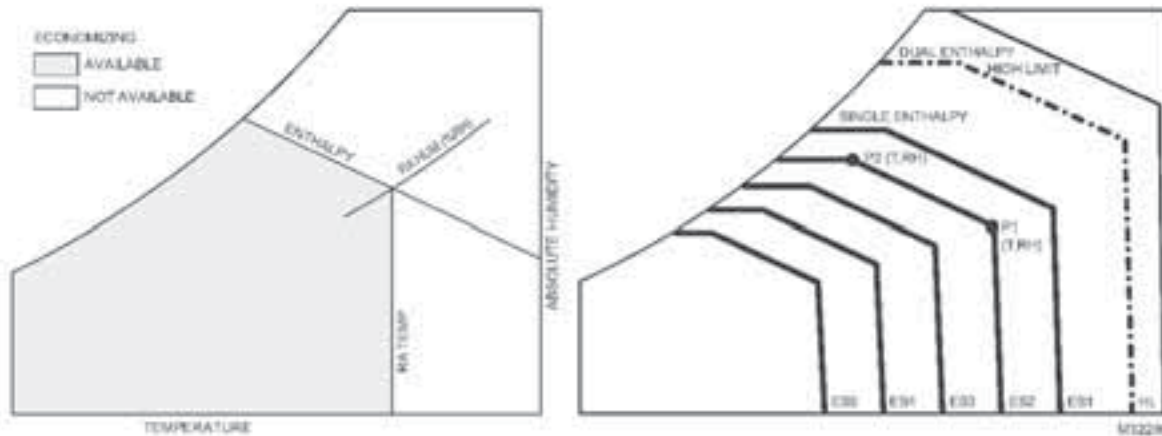
^a With stage 3 delay (STG3 DLY) in Advanced setup menu can turn on 2nd stage of mechanical cooling Y2 –O after the delay if the call for Y1-I and Y2-I have not been satisfied.

^b With 2SP FAN DELAY (Advanced Setup Menu) when in the economizing mode there is a delay for the high speed fan to try to satisfy the call for second stage cooling by turning on the fan to high and opening the OA damper 100% before the first stage mechanical cooling is enabled.

INSTALLATION INSTRUCTION

562535 AND 562536 ECONOMIZERS USING
HONEYWELL W7220 JADE CONTROL PLATFORM
USED WITH R6GP*, P6SP, AND Q6SP – 43" AND 55" CABINETS

APPENDIX A



Single Enthalpy and Dual Enthalpy High Limit Curves

Enthalpy Curve	Temp. Dry-Bulb (°F)	Temp. Dewpoint (°F)	Enthalpy (btu/lb/da)	Point P1		Point P2	
				Temp. °F	Humidity %RH	Temp. °F	Humidity %RH
ES1	80.0	60.0	28.0	80.0	36.8	66.3	80.1
ES2	75.0	57.0	26.0	75.0	39.6	63.3	80.0
ES3	70.0	54.0	24.0	70.0	42.3	59.7	81.4
ES4	65.0	51.0	22.0	65.0	44.8	55.7	84.2
ES5	60.0	48.0	20.0	60.0	46.9	51.3	88.5
HL	86.0	66.0	32.4	86.0	38.9	72.4	80.3

Enthalpy Settings

When the OA temperature, enthalpy and dew point are below the respective setpoints, the Outdoor Air can be used for economizing. Fig. 18 shows the new single enthalpy boundaries in the W7220. There are 5 boundaries (setpoints ES1 through ES5), which are defined by dry bulb temperature, enthalpy and dew point.

Refer to Table above for the ENTH CURVE setpoint values.

To use enthalpy the W7220 must have a C7400S Sylkbus sensor for OA. The W7220 calculates the enthalpy and dew point using the OA temperature and humidity input from the OA sensor. When the OA temperature, OA humidity and OA dew point are all below the selected boundary, the economizer sets the economizing mode to YES, economizing is available.

When conditions are above the selected boundary, the conditions are not good to economize and the mode is set to NO.

Figure ## shows the 5 current boundaries. There is also a high limit boundary for differential enthalpy. The high limit boundary is ES1 when there are no stages of mechanical cooling energized and HL when a compressor stage is energized.

The table above provides the values for each boundary limit.

Two-Speed Fan Operation

The later versions of the W7220 Jade controller have the capability to work with a system using a 2-speed supply fan. The W7220 does not control the supply directly but uses the following input status to determine the speed of the supply fan and controls the OA damper to the required position.

State	Fan Speed
OCC	Low
Y1	Low
Y2	High
W	High

The W (heating mode) is not controlled by the W7220 but it requires the status to know where to position the OA damper for minimum position for the fan speed.

The 2 speed fan delay is available when the system is programmed for 2 speed fan (in the System Setup menu item). The 2 speed fan delay is defaulted to 5 minutes and can be changed in the Advanced Setup menu item. When the unit has a call for Y1 In and in the free cooling mode and there is a call for Y2 In, the 2-speed fan delay starts and the OA damper will modulate 100% open, the supply fan should be set to high speed by the unit controller. After the delay one of two actions will happen:

- The Y2 In call will be satisfied with the damper 100% open and fan on high speed and the call will turn off

OR

- If the call for additional cooling in the space has not been satisfied then the first stage of mechanical cooling will be enabled through Y1 Out or Y2 Out.

INSTALLATION INSTRUCTION

562535 AND 562536 ECONOMIZERS USING HONEYWELL W7220 JADE CONTROL PLATFORM USED WITH R6GP*, P6SP, AND Q6SP – 43" AND 55" CABINETS

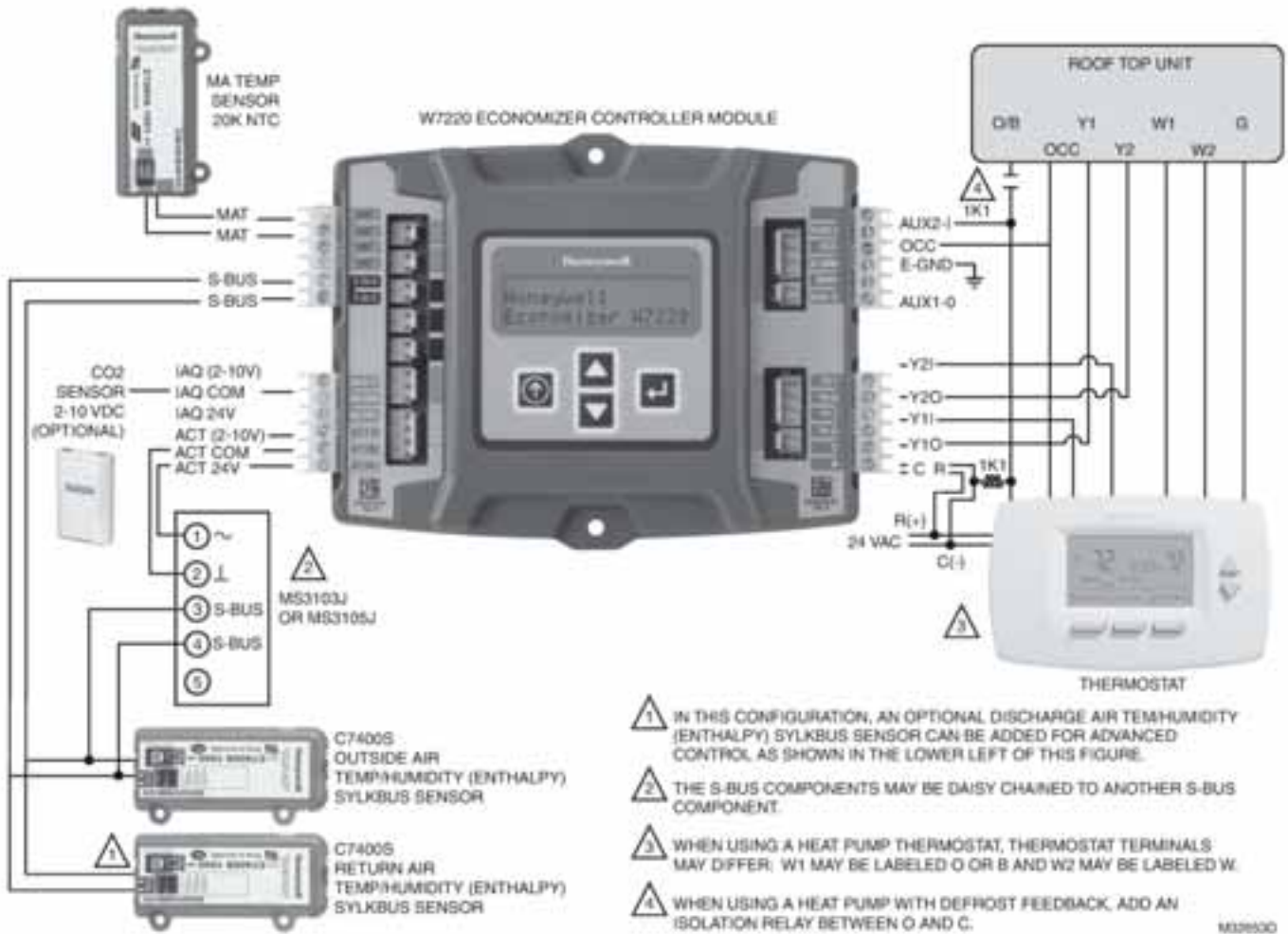


Figure 9

Economizer with Sylk Bus sensors for enthalpy configuration with a Honeywell MS3103J or MS3105J communicating actuators.

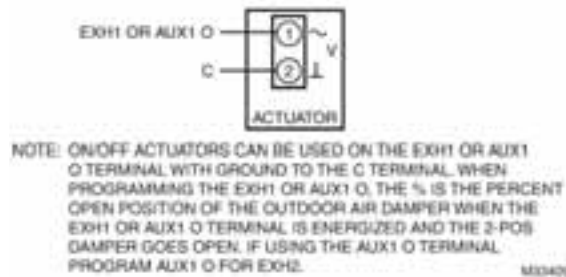


Figure 10
2-position actuator

INSTALLATION INSTRUCTION

562535 AND 562536 ECONOMIZERS USING
HONEYWELL W7220 JADE CONTROL PLATFORM
USED WITH R6GP*, P6SP, AND Q6SP – 43" AND 55" CABINETS

COMPONENT CODE

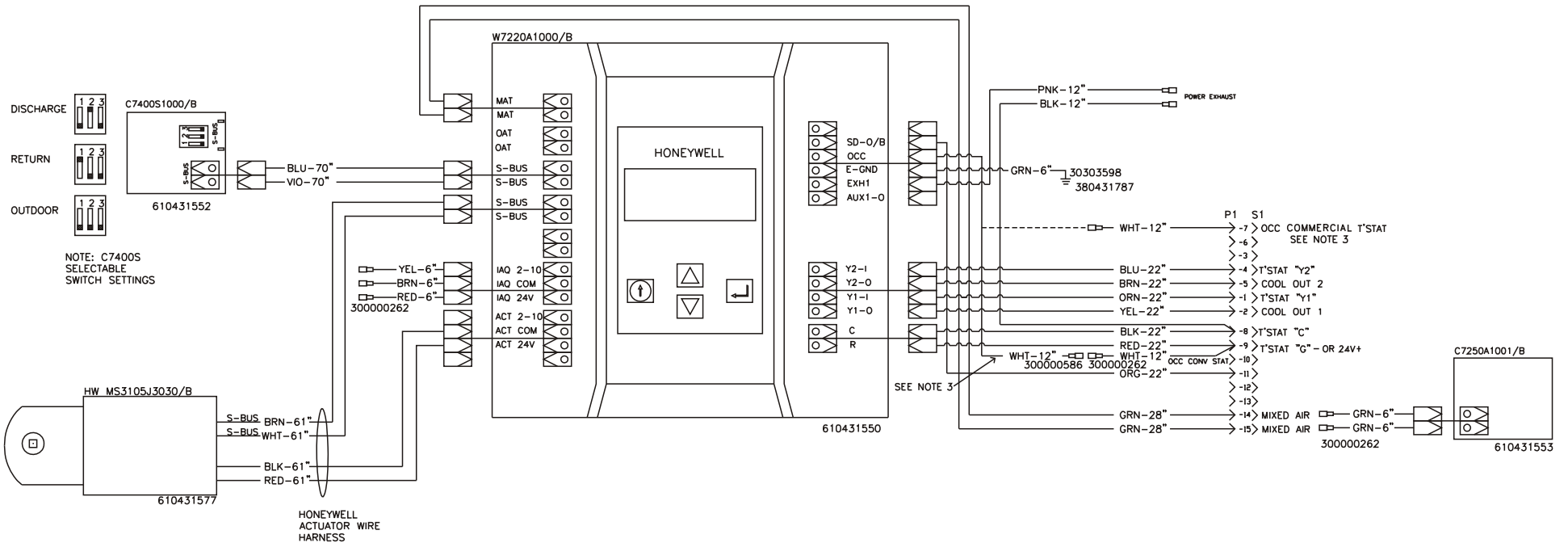
Nortek Global HVAC#	Honeywell#	Description
622754	MS3105J3030	Damper Actuator 24v
626621	W7220A1000	Logic Module
626622	C7400S1000	Fresh Air Enthalpy Sensor
626623	C7250A1001	Mixed Air Temperature Sensor
-----	P1	Male Interface Unit Plug

WIRE COLOR CODE

BLK Black	BLU Blue
BRN Brown	GRN Green
GRY Gray	ORN Orange
PNK Pink	RED Red
TAN Tan	VIO Violet
WHT White	YEL Yellow

Revision	Change	Date
A	Changed drawing per customer	07-14-15

HARNESS ENDS AT P1



- Notes:
- Unit wiring shown as reference only. Check unit wiring for actual unit wiring.
 - Thermostat "Y2" call must be present for Stage 1 compressor to operate during economizer operation.
 - If using a commercial thermostat with Occupied/Unoccupied feature disconnect White wire from Jade W7220 at P1-1 connection and reconnect to White wire at P1-7.

Low Leak Modulating Gear Economizer



1625 Diplomat Drive
Carrollton, Texas 75006
Phone: (972) 247-7447
Fax: (972) 243-0940

Date: July 14, 2015
Supersedes: 04-02-15
Drawn by: MGL
Unit #: 47-366-07/08
Diagram#: 4736607W
Approved by: