

MAYTAG

TECHNICAL SPECIFICATIONS

Model PPG1GE Series



M1200 Product Line

Single Packaged Gas/Electric Units

Up to 14 SEER — 2 - 5 Ton Units

2-Stage Heat/Cool with Variable Speed Blower

- **M1200 - 12 YEAR ALL PARTS LIMITED WARRANTY**
- **M1200 WITH UPGRADED WARRANTY PACKAGE - 12 YEAR ALL PARTS & LABOR LIMITED WARRANTY**
- **Both the standard and upgraded limited warranty packages offer a 12 Year Dependability Promise to replace the entire unit, if the unit's major component (heat exchanger or compressor) fails within the first 12 years of operation, to the original owner.**
- **Product registration (by consumer or dealer) required for 12-year Warranty and Dependability Promise within a limited period of time after the installation. See current warranty document for details. This can be viewed at www.maytagvac.com or ask your sales representative.**
- **Dealer is responsible for registration of labor portion of warranty.**
- **Also when registered, this product is upgraded to a limited lifetime heat exchanger warranty.**

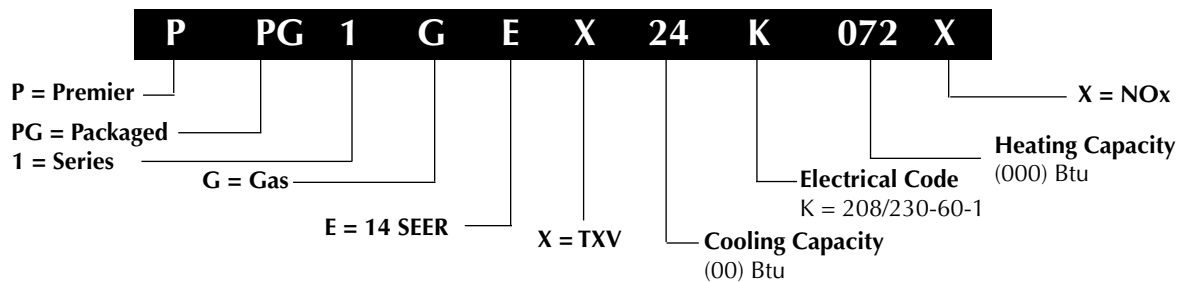


The PPG1GE Series single packaged gas/electrics are high efficiency self contained cooling units that can be installed on the roof or on a slab. The convertible unit design makes installations simple in all applications. Units are ETL and ETLc listed.

Features and Benefits

- **Copeland Ultra-Tech Compressor**
Two stage heat/cool with comfort alert II Communications/Diagnostics package.
- **Compact Footprint/Low Profile**
Easy to handle and transport.
- **Heavy-Gauge, Full Perimeter Base Rails**
Facilitates forklift handling and curb mounting.
- **Hi/low Pressure Switches**
Added compressor Protection.
- **Convertible Air Delivery**
Horizontal or downflow to accommodate rooftop or horizontal application.
- **R-410A Refrigerant**
Environmentally friendly.
- **Galvanized Steel Cabinet**
Unit is trimmed in a silicone-protected polyester finish with a 950 hour salt spray finish that resists corrosion 50% better than comparable units.
- **Plastic Coated Coil Guard and Mesh Hail Guard**
Will never rust and protects the coil from being damaged by balls, lawnmowers, hail etc.
- **Externally Accessible Service Ports**
Quick access to refrigerant system without disrupting operation.
- **Access to Controls and Major Components**
Easy in and out service.
- **Corrosion-Resistant Drain Pan**
Quickly drains away evaporator condensate.
- **Smaller Panels, Great Fit and Finish, Total Seal** — Well-designed, quality construction. Drip edge on top panels whisks away rainwater. Embossed bottom pan keeps blower component compartment dry.
- **Thermal Expansion Valve**
Factory installed externally equalized thermal expansion valve provides precise refrigerant control under varying load conditions.
- **Proven, Industry Standard Components**
Easier service and availability.
- **ECM Variable Speed Motor**
Advanced technology allows the motor to automatically adjust to different static loads. The variable speed motor allows for extra quiet operation and improved air quality.
- **Quiet Operation and Low Vibration**
20" fan blade combined with custom venturi condenser fan.
- **Accessories**
Roof curbs and more.
- **SmartStart™ Control Board** — Provides extended life to ignitors using hot surface ignition technology. Programmed to learn the heat-up characteristics of the ignitor, then adapt the ignition time to the characteristics of the furnace so the ignitor is energized appropriately.
- **Quiet Plus™ Compressor Sound Blanket** — Engineered to significantly reduce unwanted noise.

IDENTIFICATION CODE

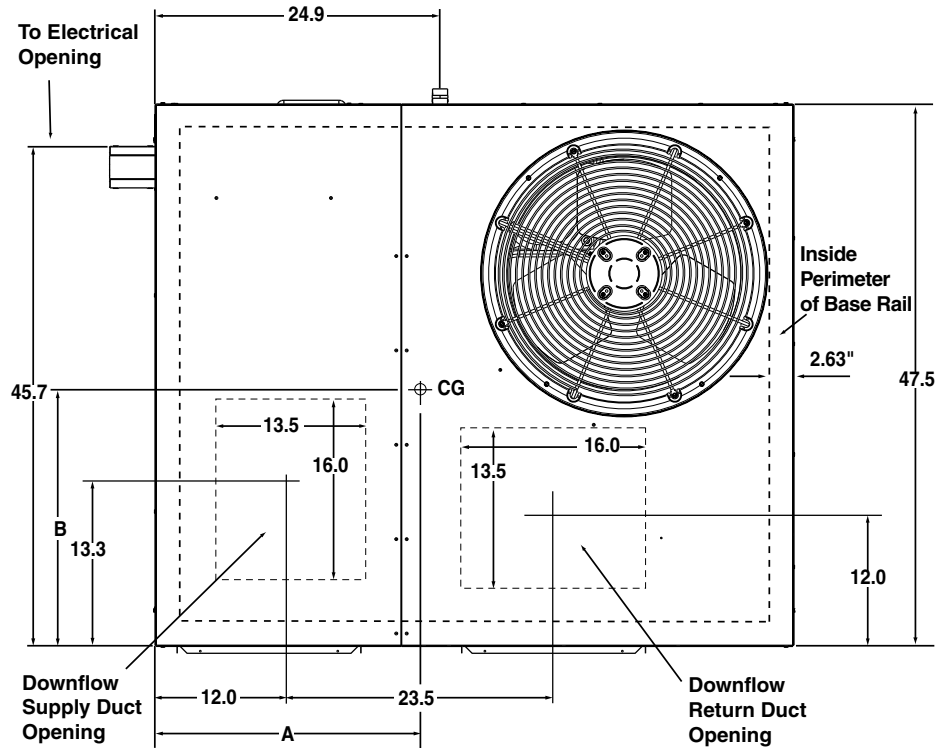


SPECIFICATIONS

Single Phase

MODEL	PPG1GE-X24K072X	PPG1GE-X36K100X	PPG1GE-X48K120X	PPG1GE-X60K120X
Performance				
Heating Input High/Low Btuh	72,000 / 48,000	100,000 / 60,000	120,000 / 72,000	120,000 / 72,000
Heating Output High/Low Btuh	57,600 / 38,400	80,000 / 48,000	96,000 / 57,600	96,000 / 57,600
Capacity-Cooling Btuh	23,800	34,600	45,500	55,500
AFUE	80	80	80	80
Efficiency -- SEER	14.00	14.50	14.30	13.50
Efficiency -- EER	12.0	11.2	11.0	10.0
Electrical Rating - 60 Hz				
Phase	1	1	1	1
Operating Voltage Range	187 - 253	187 - 253	187 - 253	187 - 253
Minimum Circuit Ampacity	21.13	33.13	41.68	44.18
Max. Overcurrent Protection	30	50	60	60
Compressor Data				
Volts	208 / 230	208 / 230	208 / 230	208 / 230
Rated Load Amps	11.4	19	24	26
Lock Rotor Amps	52	82	96	118
Indoor Blower				
Wheel Diameter	10 x 10	10 x 10	11 x 10	11 x 10
Motor Type	Variable Speed	Variable Speed	Variable Speed	Variable Speed
Motor HP	1/2	3/4	1	1
Motor Amps	4.3	6.8	9.1	9.1
Outdoor Fan				
Motor HP	1/4	1/4	1/4	1/3
Motor Amps	1.2	1.2	1.2	1.5
Fan Diameter/CFM	20" / 3500	20" / 3500	20" / 3500	20" / 3500
Refrigerant Charge (oz)	144	124.8	224	225.6

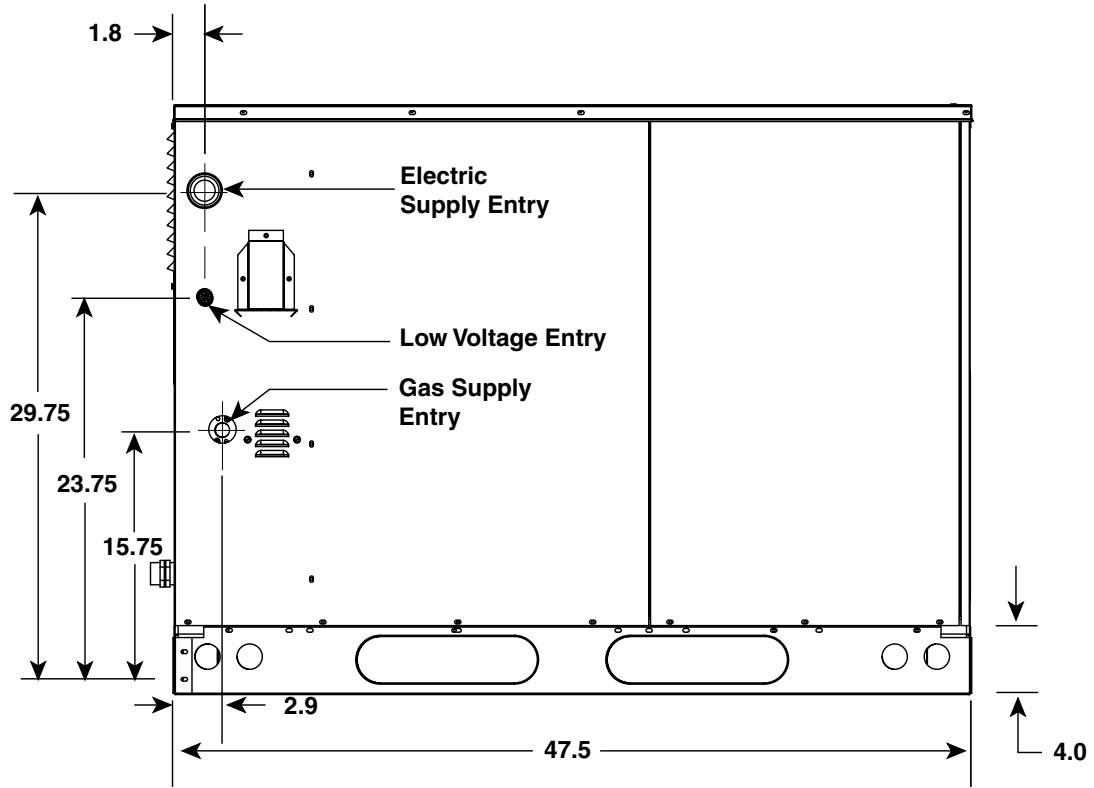
DIMENSIONS



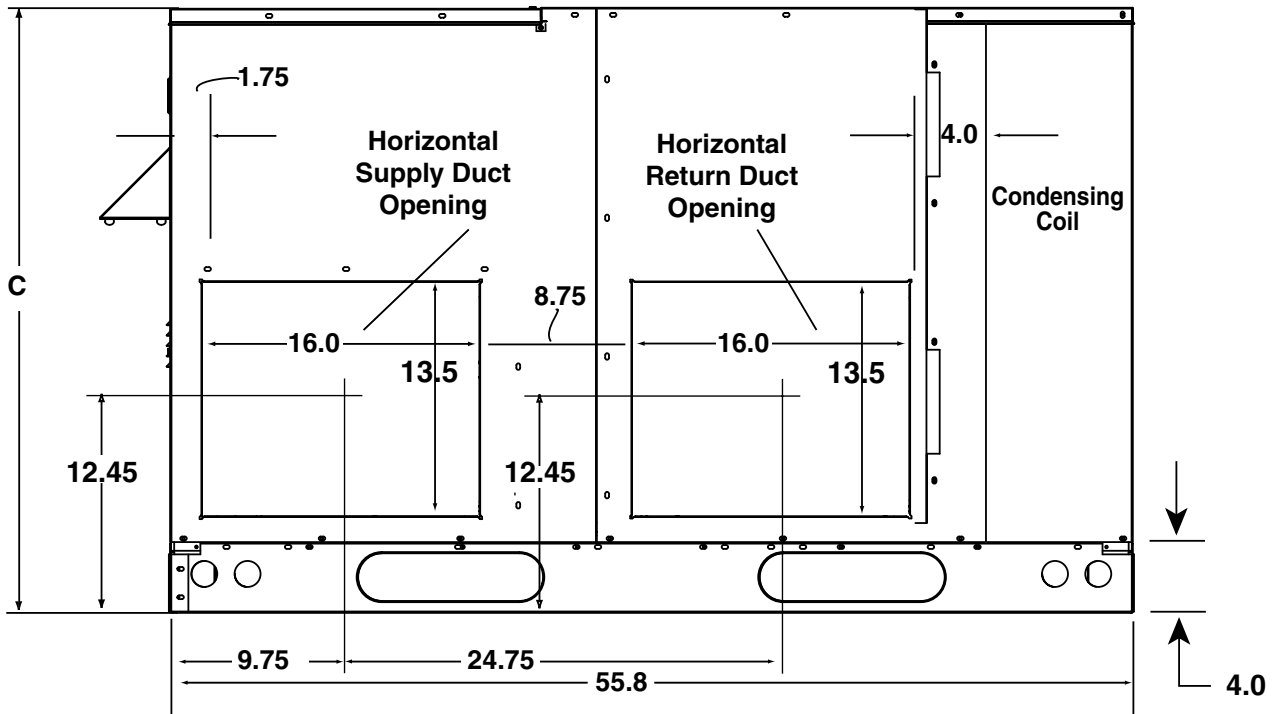
Top View

Model Number 14 SEER	Unit Weight	Shipping Weight	Center of Gravity		Height (in inches) C	
			A	B	with base rails	without base rails
X24K072X	460	470	26.0	27.0	39.0	35.3
X36K100X	480	490	26.0	27.0	39.0	35.3
X48K120X	530	540	27.0	26.5	43.0	39.3
X60K120X	560	570	27.0	26.5	43.0	39.3

DIMENSIONS continued



Side View



Back View

AIRFLOW DATA

Model Number PPG1GE	Heating Input (Btuh)	Heating Output (Btuh)	Heat Switch Setting	CFM	Heating Rise Range (°F)	Cooling Output (Btuh)	Blower Size	Motor HP
X24K072X	72,000	57,600	1,1 0,1	1200 1000	35-65	23,800	10 X 10	1/2
	48,000	38,400	1,1 0,1	990 750				
X36K100X	100,000	80,000	1,0 0,0	1585 1500	40-70	34,600	10 X 10	3/4
	60,000	48,000	1,0 0,0	1100 900				
X48K120X	120,000	96,000	1,1 0,1	2005 1805	40-70	45,500	11 X 10	1
	72,000	57,600	1,1 0,1	1200 1100				
X60K120X	120,000	96,000	1,1 0,1	2005 1805	40-70	55,500	11 X 10	1
	72,000	57,600	1,1 0,1	1200 1100				

NOTE: CFM and Rise are independent of ESP in a variable speed blower.

Cooling Airflow Settings

SWITCH NUMBER				RECOMMENDED A/C AIRFLOW RATE (CFM)		
1	2	3	4	2 - 3 TON		
0	0	0	1	2 T O N	720	
0	0	0	0		800	
1	0	0	1		810	
0	0	1	0		880	
1	0	0	0		900	
0	1	0	1		900	
1	0	1	0		990	
0	1	0	0		1000	
1	1	0	1		3 T O N	1080
0	1	1	0			1100
1	1	0	0	1200		
1	1	1	0		1320	

SWITCH NUMBER				RECOMMENDED A/C AIRFLOW RATE (CFM)		
1	2	3	4	4 - 5 TON		
0	0	0	1	4 T O N	1440	
1	0	0	1		1530	
0	0	0	0		1600	
0	1	0	1		1620	
1	0	0	0		5 T O N	1700
1	1	0	1			1710
0	0	1	0			1760
0	1	0	0		1800	
1	0	1	0		1870	
1	1	0	0		1900	
0	1	1	0	1980		
1	1	1	0	2090		

NOTE: 0 = OFF 1 = ON

Heating Airflow Settings

Nominal Airflow Rates (CFM) and Temperature Rises (°F)														
Switches			PPG1GE (072X)				PPG1GE (100X)				PPG1GE (120X)			
			Low Fire Input		High Fire Input		Low Fire Input		High Fire Input		Low Fire Input		High Fire Input	
5	6	7	48,000		72,000		60,000		100,000		72,000		120,000	
0	0	#	N/A	N/A	N/A	N/A	900	51	1500	51	900	61	1500	61
1	0	#	N/A	N/A	N/A	N/A	1100	42	1585	48	1100	50	1585	58
0	1	#	750	49	1000	55	1100	42	1805	42	1100	50	1805	51
1	1	#	990	37	1200	46	1200	38	2005	38	1200	46	2005	46

NOTE: 0 = OFF 1 = ON

Switch is not used — Can be 0 or 1

1. Recommended temperature rises are highlighted in **bold**.

2. Temperature rises in the table are approximate. Actual temperature rises may vary.

ACCESSORIES

Description	Part Number
Roof Curb (8")	547830
Roof Curb (14")	547831
Roof Curb (18")	547850
Roof Curb (24")	547851
Filter Rack, All Downflow Applications (not required with economizer)	547885
Filter Kit (not required with economizer) for Horizontal Applications PPG1GEX24 - X36	547888
Filter Kit (not required with economizer) for Horizontal Applications PPG1GEX48K - X60K	547889
Universal Hard Start Kit	912933
Low Ambient Kit	918837
U.S. LP Gas Conversion Kit (0 ft to 10,000 ft above sea level)	904404
Canadian LP Gas Conversion Kit (0 to 4,500 ft above sea level)	904405
Economizer, downflow w/filter (does not require filter kit) modulating	558870
Economizer, horizontal modulating	547841
Power Exhaust, horizontal economizer (special order)	547843
Power Exhaust, downflow economizer (special order)	547842
Skirt Trim Kit	919729B
Extreme High Wind Kit - Roof Curb Mount	903696
Extreme High Wind Kit - Ground Mount	903695
Freezestat Kit	917108
Supply/return transition, 16"	547834
Supply/return transition, 18"	547835
Concentric diffuser, flush, 16"	547836
Concentric diffuser, flush, 18"	547837
Concentric diffuser, step down 16"	547838
Concentric diffuser, step down 18"	547839
Manual Fresh Air Damper	547832
Motorized Fresh Air Damper	547840
Hood Type Hail Guard, coil Dim. 34" x 76" PPG1GE-024,030,036,042	547846
Hood Type Hail Guard, Coil Dim. 38" x 76" PPG1GE-048,060	547847
Duct Smoke Detector Photo Elec	547892
Multi Signal Control	547893
Sampling Tube ST3	547894
Sampling Tube ST5	547895

14 SEER LARGE PACKAGE GAS/ELECTRIC AC

PPG1GE-X24K () X

CFM	O.D.T		85°F			95°F			105°F			115°F		
	E.D.B.	E.W.B.	T.C.	S.C.	K.W.	T.C.	S.C.	K.W.	T.C.	S.C.	K.W.	T.C.	S.C.	K.W.
700	80	62	22.6	19.5	1.79	21.5	19.6	2.02	20.3	19.8	2.28	19.1	18.9	2.58
	80	67	24.5	15.8	1.81	23.3	15.3	2.03	21.9	14.9	2.29	20.3	14.4	2.59
	80	72	26.8	11.8	1.83	25.4	11.5	2.06	23.9	11.0	2.31	22.1	10.6	2.61
	75	63	22.5	16.3	1.79	21.3	16.4	2.02	20.0	16.2	2.28	18.6	15.8	2.57
800	80	62	23.4	21.0	1.80	22.3	21.2	2.03	21.2	20.7	2.28	19.9	19.9	2.59
	80	67	25.1	17.1	1.81	23.8	16.7	2.04	22.3	16.2	2.30	20.7	15.7	2.59
	80	72	27.3	12.7	1.83	25.8	12.3	2.06	24.3	11.9	2.32	22.5	11.4	2.61
	75	63	23.0	18.3	1.80	21.8	18.1	2.02	20.4	17.8	2.28	19.0	17.4	2.58
900	80	62	24.2	22.4	1.80	23.1	22.0	2.03	21.9	21.9	2.29	20.5	20.5	2.59
	80	67	25.5	18.4	1.82	24.2	17.9	2.04	22.7	17.5	2.30	21.0	17.0	2.60
	80	72	27.7	13.5	1.84	26.2	13.1	2.07	24.6	12.6	2.32	22.8	12.2	2.62
	75	63	23.5	20.3	1.80	22.2	20.0	2.03	20.8	19.5	2.28	19.4	18.9	2.58

14 SEER LARGE PACKAGE GAS/ELECTRIC AC (Cont.)

PPG1GE-X36K () X

CFM	O.D.T		85°F			95°F			105°F			115°F		
	E.D.B.	E.W.B.	T.C.	S.C.	K.W.	T.C.	S.C.	K.W.	T.C.	S.C.	K.W.	T.C.	S.C.	K.W.
1100	80	62	33.7	29.2	2.68	32.0	29.3	2.96	30.3	29.5	3.28	28.4	28.1	3.64
	80	67	36.1	23.4	2.71	34.2	22.7	2.99	32.1	22.0	3.30	29.8	21.2	3.67
	80	72	38.6	17.6	2.74	36.6	17.0	3.02	34.4	16.3	3.34	31.9	15.5	3.69
	75	63	33.2	24.2	2.68	31.5	24.2	2.96	29.6	23.9	3.27	27.5	23.3	3.63
1200	80	62	34.4	30.8	2.69	32.8	31.1	2.97	31.0	30.2	3.29	29.1	29.1	3.65
	80	67	36.5	24.6	2.72	34.6	23.9	2.99	32.5	23.1	3.31	30.2	22.3	3.67
	80	72	39.1	18.3	2.75	37.0	17.6	3.03	34.7	16.9	3.34	32.2	16.2	3.70
	75	63	33.7	26.3	2.69	31.9	26.1	2.96	30.0	25.5	3.28	27.8	24.8	3.63
1300	80	62	35.1	32.5	2.70	33.5	31.8	2.98	31.7	31.7	3.30	29.7	29.7	3.66
	80	67	37.0	25.7	2.72	35.0	25.0	3.00	32.9	24.3	3.31	30.5	23.4	3.68
	80	72	39.5	18.9	2.75	37.4	18.3	3.03	35.1	17.6	3.35	32.5	16.8	3.70
	75	63	34.1	28.6	2.69	32.3	28.0	2.97	30.3	27.2	3.28	28.1	26.3	3.64

PPG1GE-X48K () X

CFM	O.D.T		85°F			95°F			105°F			115°F		
	E.D.B.	E.W.B.	T.C.	S.C.	K.W.	T.C.	S.C.	K.W.	T.C.	S.C.	K.W.	T.C.	S.C.	K.W.
1500	80	62	43.7	38.9	3.72	41.6	38.5	4.03	39.5	38.5	4.37	37.1	36.8	4.75
	80	67	47.0	31.4	3.77	44.6	30.7	4.08	41.9	29.8	4.41	38.9	28.8	4.79
	80	72	51.2	23.5	3.83	48.5	22.8	4.14	45.5	22.0	4.47	42.3	21.1	4.85
	75	63	43.0	32.4	3.72	40.8	32.5	4.02	38.3	32.2	4.35	35.6	31.5	4.73
1650	80	62	44.8	40.4	3.74	42.9	40.7	4.05	40.6	39.6	4.39	38.2	38.2	4.77
	80	67	47.7	33.3	3.78	45.2	32.5	4.09	42.5	31.7	4.42	39.5	30.7	4.80
	80	72	51.8	24.7	3.84	49.1	23.9	4.15	46.1	23.1	4.48	42.8	22.2	4.86
	75	63	43.7	35.5	3.73	41.4	35.2	4.03	38.9	34.6	4.36	36.2	33.7	4.74
1800	80	62	46.0	42.6	3.76	44.0	41.8	4.07	41.7	41.6	4.40	39.1	39.1	4.79
	80	67	48.4	35.2	3.79	45.8	34.4	4.10	43.0	33.5	4.43	40.0	32.5	4.80
	80	72	52.4	25.8	3.85	49.6	25.0	4.16	46.6	24.2	4.49	43.2	23.4	4.87
	75	63	44.4	38.8	3.74	42.0	38.1	4.04	39.5	37.1	4.37	36.8	35.8	4.75

PPG1GE-X60K () X

CFM	O.D.T		85°F			95°F			105°F			115°F		
	E.D.B.	E.W.B.	T.C.	S.C.	K.W.	T.C.	S.C.	K.W.	T.C.	S.C.	K.W.	T.C.	S.C.	K.W.
1600	80	62	52.9	43.6	4.95	50.3	43.8	5.41	47.6	44.9	5.90	44.7	43.9	6.46
	80	67	57.1	35.5	5.05	54.4	34.5	5.50	51.4	33.4	6.01	48.1	32.3	6.56
	80	72	62.4	27.2	5.16	59.1	26.4	5.61	55.5	25.4	6.11	52.0	24.3	6.68
	75	63	52.3	36.6	4.96	49.8	36.7	5.41	47.0	36.3	5.90	44.0	35.5	6.44
1800	80	62	54.3	46.8	4.99	51.7	48.2	5.44	48.9	47.7	5.94	46.2	46.2	6.50
	80	67	58.4	37.9	5.08	55.5	36.9	5.53	52.4	35.8	6.03	49.0	34.6	6.58
	80	72	63.0	28.8	5.18	59.9	27.8	5.63	56.5	26.8	6.14	52.8	25.7	6.70
	75	63	53.6	40.5	4.98	50.9	40.2	5.43	48.0	39.4	5.93	44.9	38.4	6.47
2000	80	62	55.6	51.0	5.02	53.1	50.4	5.47	50.5	50.5	5.98	47.6	47.6	6.54
	80	67	59.4	40.2	5.10	56.4	39.2	5.55	53.2	38.1	6.05	49.8	36.9	6.61
	80	72	64.0	30.2	5.20	60.8	29.2	5.65	57.3	28.1	6.16	53.6	27.0	6.73
	75	63	54.5	44.7	5.00	51.8	43.8	5.45	48.8	42.7	5.95	45.7	41.3	6.49



Through Technician Certification by NATE

* Energy Star 2 - 4 tons only

MAYTAG

Before purchasing this appliance, read important energy cost and efficiency information available from your retailer. Specifications and illustrations subject to change without notice and without incurring obligations.

Manufactured under license by NORDYNE, O'Fallon, MO. ©Registered Trademark/™ Trademark of Maytag Corporation or its related companies. ©2008. All rights reserved.

380C-0509 (Replaces 380C-0907)

Printed in U.S.A. (05/09)