

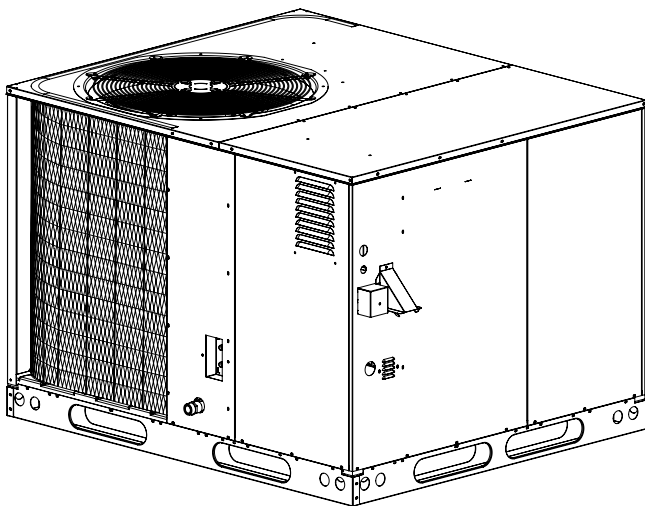
TECHNICAL SPECIFICATIONS

DF6SF Series

4-Stage Heat/2-Stage Cool with
Variable Speed Blower
iHybrid™ Package Units with R-410A

DF6SF up to 15 SEER
2 Ton thru 5 Ton Units

These dual fuel package units are high efficiency self contained heat pump units that can be installed on the roof or on a slab. The convertible unit design makes installations simple in all applications. Units are ETL and ETLc listed.



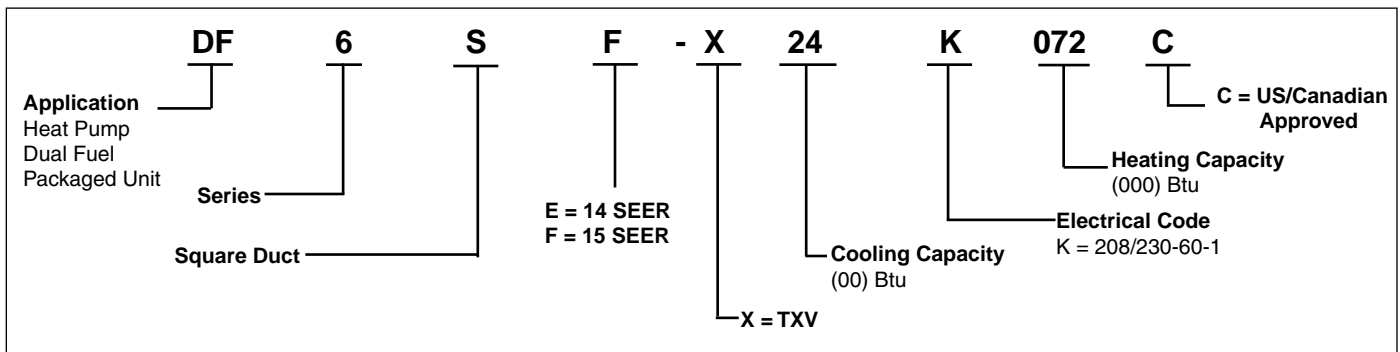
WARRANTY

- This product offers a 10-year All-Parts Warranty.
- This product offers a 10 year Quality Pledge to replace the entire unit, if the unit's major component (heat exchanger or compressor) fails within the first 10 years of operation, to the original owner.
- Consumer product registration required for both 10 year All Parts Warranty and Quality Pledge within a limited period of time after the installation. See current warranty document or visit our consumer web site for warranty details.

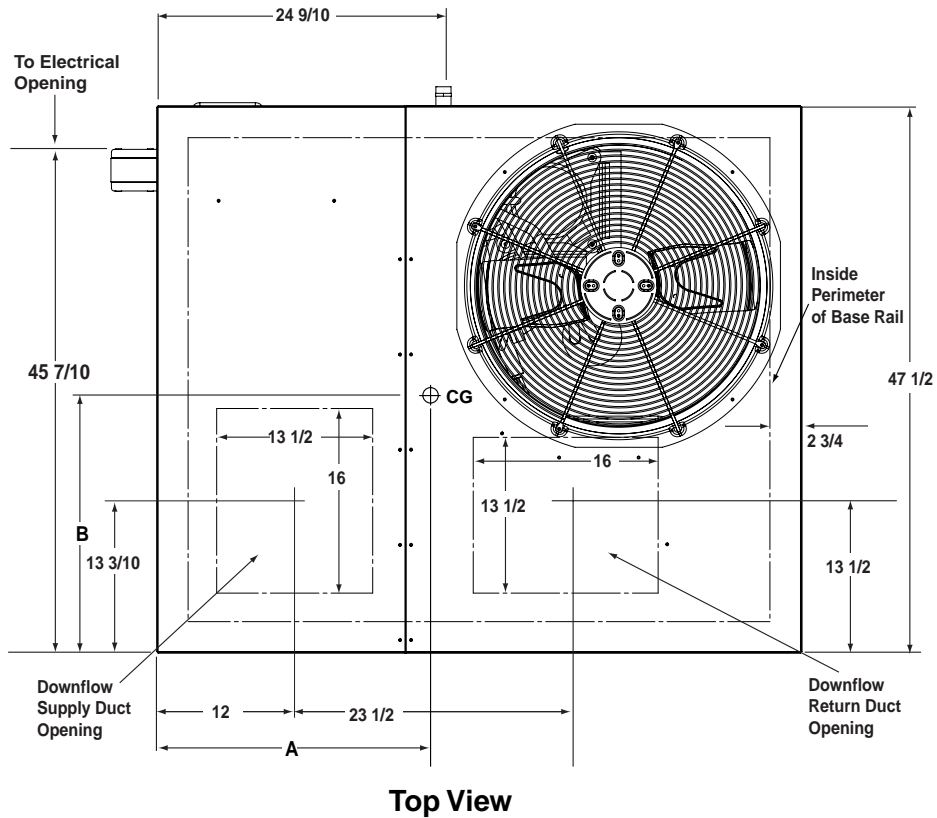
FEATURES and BENEFITS

- **Heavy-Gauge, Full Perimeter Base Rails:** Facilitates forklift handling and curb mounting.
- **Compact Footprint/Low Profile:** Easy to handle and transport.
- **Copeland Ultra-Tech Scroll Compressor:** 2 stage heat/cool.
- **Convertible Air Delivery:** Horizontal or downflow to accommodate rooftop or horizontal application.
- **Galvanized Steel Cabinet:** With polyurethane finish provides 950 hour salt spray protection to resist corrosion.
- **Plastic Coated Coil Guard and Mesh Hail Guard:** Will never rust and protect the coil from being damaged by balls, lawnmowers, hail etc.
- **Externally Accessible Service Ports:** Quick access to refrigerant system without disrupting operation.
- **Hi/Low Pressure Switches:** Added Compressor Protection.
- **Access to Controls and Major Components:** Easy in and out service.
- **Corrosion-Resistant Drain Pan:** Quickly drains away evaporator condensate.
- **Proven, Industry Standard Components:** Easier service and availability.
- **Smaller Panels, Great Fit and Finish, Total Seal:** Well-designed, quality construction. Drip edge on top panels whisks away rainwater. Embossed bottom pan keeps blower compartment dry.
- **Thermostatic Expansion Valve:** Factory installed externally equalized thermostatic expansion valve provides precise refrigerant control under varying load conditions.
- **R-410A Refrigerant:** Environmentally friendly.
- **ECM Variable Speed Motor:** Advanced technology allows the motor to automatically adjust to different static loads. The variable speed motor allows for extra quiet operation and improved air quality.
- **Quiet Operation:** Low vibration. 24" swept wing fan blade combined with custom venturi condenser fan.
- **Compressor sound blanket.**
- **Demand Defrost Standard:** Provides additional energy savings in heat pump mode by defrosting only when necessary.
- **Smartlite® Control Board:** Provides extended life to ignitors using hot surface ignition technology. Programmed to learn the heat-up characteristics of the ignitor, then adapt the ignition time to the characteristics of the furnace so the ignitor is energized appropriately.

MODEL IDENTIFICATION CODE

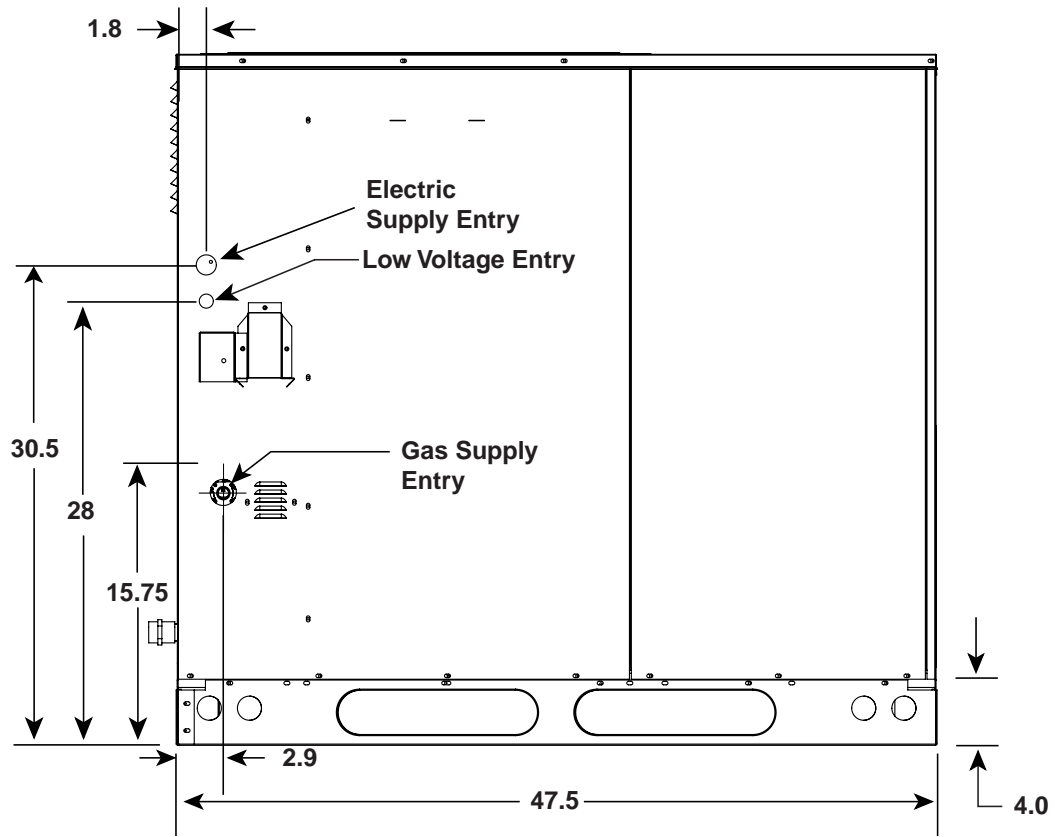


DIMENSIONS

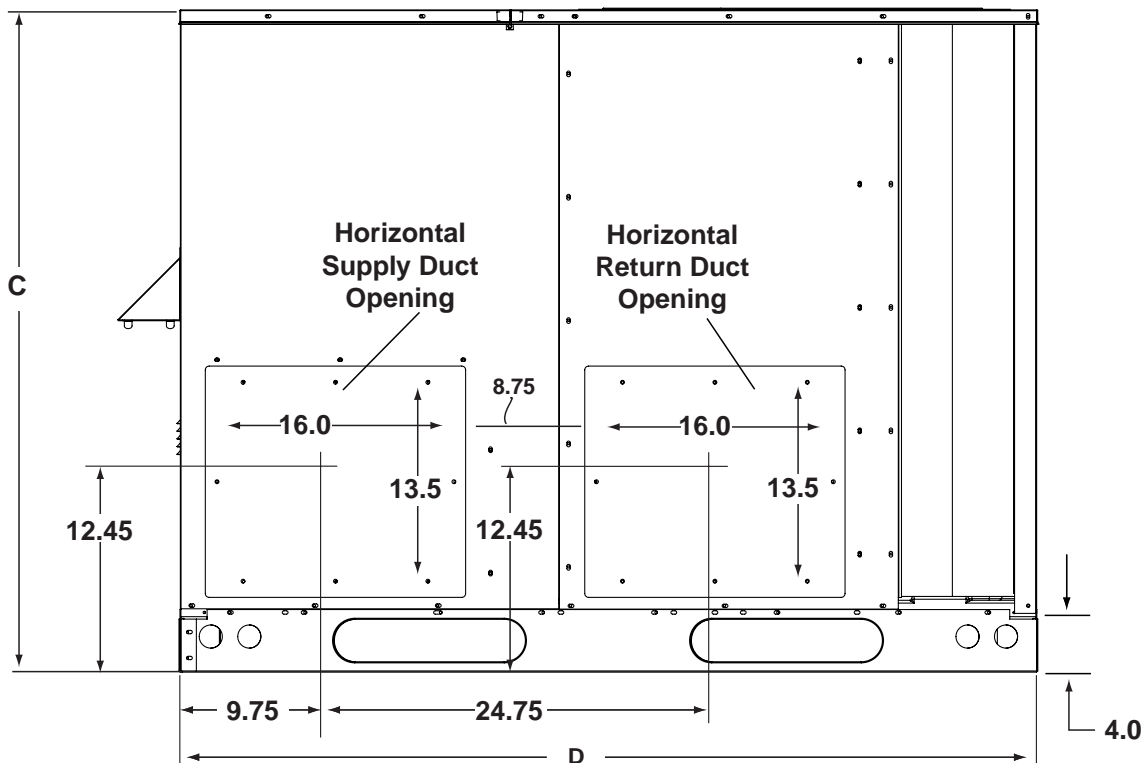


Model Number	Unit Weight	Shipping Weight	Center of Gravity		Height (in inches) C		D Length
			A	B	with base rails	without base rails	
X24K***C	480	490	26.0	27.0	39.0	35.3	55.8
X36K***C	590	600	26.0	27.0	43.0	39.3	55.8
X48K***C	590	600	27.0	26.5	43.0	39.3	55.8
X60K***C	655	670	30.0	26.5	47.0	43.3	63.6

DIMENSIONS (Continued)



Side View



Back View

SPECIFICATIONS AND ELECTRICAL DATA

SINGLE PHASE

MODEL	DF6SF-X24K072C	DF6SF-X36K100C	DF6SF-X48K120C	DF6SF-X60K120C
Performance (Gas)				
Heating Input High/Low Btuh	72,000 / 48,000	100,000/65,000	120,000 /78,000	120,000/73,000
Heating Output High/Low Btuh	57,600 / 38,400	80,000/52,000	96,000 / 62,400	96,000/62,400
AFUE	80	80	80	80
Performance (Electric)				
Efficiency -- SEER	15.00	15.0	15.00	15.00
Efficiency -- EER (Btuh/Watt)	12.0	12.0	12.0	12.0
Capacity - Heating	22,000	32,000	45,000	56,000
Efficiency - HSPF	8.0	8.0	8.0	8.0
Capacity - Cooling	24,000	35,000	46,000	55,500
Electrical Rating - 60 Hz				
Phase	1	1	1	1
Operating Voltage Range	187 - 253	187-253	187 - 253	187-253
Minimum Circuit Ampacity	20.8	34.7	43.3	44.4
Max. Overcurrent Protection	30	50	60	60
Compressor Data				
Volts	208 / 230	208/230	208 / 230	208/230
Rated Load Amps	11.4	19	24	26
Lock Rotor Amps	52	82	96	118
Indoor Blower				
Wheel Diameter	10 x 10	10 x 10	11 x 10	11 x 10
Motor Type	Variable Speed	Variable Speed	Variable Speed	Variable Speed
Motor HP	1/2	3/4	1	1
Motor Amps	4.3	6.8	9.1	9.1
Outdoor Fan				
Motor HP	1/8	1/3	1/3	1/4
Motor Amps	.9	2.8	2.8	1.46
Fan Diameter/CFM	24" / 3200	24" / 4000	24" / 4000	24"/4000
Refrigerant Charge (oz)	128	160	255	272

AIRFLOW DATA

Model Number DF6SF	Heating Input (Btuh)	Heating Output (Btuh)	Heat Switch Setting	CFM	Heating Rise Range (°F)	Cooling Output (Btuh)	Blower Size	Motor HP
X24K072C	72,000	57,600	1,1	1062	35-65	24,000	10 X 10	1/2
	48,000	38,400	1,1	900				
X36K100C	100,000	80,000	0.1	1640	40-70	35,000	10 X 10	3/4
	65,000	52,000	0.1	1000				
X48K120C	120,000	96,000	1,1	2005	40-70	46,000	11 X 10	1
	78,000	62,400	1,1	1200				
X60K120C	120,000	96,000	1.1	2005	40-70	55,500	11 X 10	1
	78,000	62,400	1.1	1200				

NOTE: CFM and Rise are independent of ESP in a variable speed blower.

AIRFLOW DATA (CONTINUED)

Cooling Airflow Settings

SWITCH NUMBER				RECOMMENDED A/C AIRFLOW RATE (CFM)	SWITCH NUMBER				RECOMMENDED A/C AIRFLOW RATE (CFM)	SWITCH NUMBER				RECOMMENDED A/C AIRFLOW RATE (CFM)									
1	2	3	4	2 TON				1	2	3	4	3 TON				1	2	3	4	4-5 TON			
0	0	0	1	2 T O N	630	0	0	0	1	3 T O N	720	0	0	0	1	4 T O N	5 T O N	1440					
0	0	0	0		700	0	0	0	0		800	1	0	0	1			1575					
0	0	1	0		770	1	0	0	1		855	0	0	0	0			1600					
1	0	0	1		783	0	0	1	0		880	0	1	0	1			1620					
1	0	0	0		870	1	0	0	0		950	1	0	0	0			1750					
0	1	0	1		918	0	1	0	1		990	1	1	0	1			1755					
1	0	1	0		957	1	0	1	0		1045	0	0	1	0			1760					
0	1	0	0		1020	0	1	0	0		1100	0	1	0	0			1800					
1	1	0	1		1053	1	1	0	1		1170	1	0	1	0			1925					
0	1	1	0		1122	0	1	1	0		1210	1	1	0	0			1950					
1	1	0	0	1170	1	1	0	0	1300	0	1	1	0	1980									
1	1	1	0	1287	1	1	1	0	1430	1	1	1	0	2145									

NOTE: 0=OFF; 1=ON
 *Factory settings are in bold.

Heating Airflow Settings

Nominal Airflow Rates (CFM) and Temperature Rises (°F)					
Switches		DF6SF-X24			
		Low Fire Input		High Fire Input	
5	6	48,000		72,000	
0	0	550	63	732	73
1	0	650	53	865	62
0	1	750	46	998	53
1	1	900	39	1062	50

Nominal Airflow Rates (CFM) and Temperature Rises (°F)					
Switches		DF6SF-X36			
		Low Fire Input		High Fire Input	
5	6	65,000		100,000	
0	0	700	69	1170	63
1	0	800	60	1240	60
0	1	1000	48	1640	45
1	1	1200	40	2005	37

Nominal Airflow Rates (CFM) and Temperature Rises (°F)					
Switches		DF6SF-X48 & X60			
		Low Fire Input		High Fire Input	
5	6	78,000		120,000	
0	0	750	77	1255	71
1	0	900	64	1395	64
0	1	1050	55	1720	52
1	1	1200	48	2005	44

NOTE: 0 = OFF 1 = ON
 # Switch is not used — Can be 0 or 1
 1. Recommended temperature rises are highlighted in **bold**. Use of any other setting may result in nuisance trips.
 2. Temperature rises in the table are approximate. Actual temperature rises may vary.

DF6SF ACCESSORIES

Description	Part Number
Roof Curb (8")	547830
Roof Curb (14")	547831
Roof Curb (18")	547850
Roof Curb (24")	547851
Cap, Duct Adapter, 12" Round	913811A
Cap, Duct Adapter, 14" Round	913812A
Filter Kit X24 - X36	547888
Filter Kit X48 - X60	547889
Filter Kit, All Downflow Applications	547885
Low Ambient Kit	918837
U.S. LP Gas Conversion Kit (0 ft to 10,000 ft above sea level)	904404
Canadian LP Gas Conversion Kit (0 to 4,500 ft above sea level)	904405
Universal Hard Start Kit	912933
Thermostat with back-up gas heat capability (outdoor sensor required)	919766
Thermostat - Outdoor Sensor	919008
Skirt Trim Kit 24, 36, 48	919729
Skirt Trim Kit 60	920936
Extreme High Wind Kit - Roof Curb Mount	903696
Extreme High Wind Kit - Ground Mount	903695

COOLING EXPANDED RATINGS

DF6SF-X24K

O.D.T			65°F			75°F			85°F			95°F			105°F			115°F		
CFM	E.D.B.	E.W.B.	T.C.	S.C.	K.W.	T.C.	S.C.	K.W.	T.C.	S.C.	K.W.	T.C.	S.C.	K.W.	T.C.	S.C.	K.W.	T.C.	S.C.	K.W.
700	80	62	25.4	20.5	1.46	24.5	20.3	1.61	23.4	20.4	1.79	22.1	20.0	1.99	20.84	20.49	2.22	19.55	19.22	2.47
	80	67	27.5	16.7	1.47	26.5	16.6	1.63	25.3	16.7	1.81	23.9	16.4	2.02	22.48	16.07	2.25	20.88	15.13	2.50
	80	72	30.2	12.8	1.49	29.0	12.8	1.66	27.6	13.0	1.84	26.1	12.7	2.05	24.42	12.44	2.28	22.61	12.62	2.54
	75	63	25.7	16.3	1.46	24.7	16.2	1.61	23.6	16.2	1.79	22.3	15.9	1.99	20.93	14.42	2.22	19.43	15.57	2.47
850	80	62	26.5	23.0	1.47	25.5	23.4	1.62	24.4	22.7	1.80	23.3	22.0	2.01	22.03	21.29	2.24	20.66	20.49	2.50
	80	67	28.5	18.6	1.48	27.4	19.1	1.64	26.1	18.6	1.82	24.7	18.4	2.03	23.16	18.32	2.26	21.48	18.19	2.51
	80	72	31.0	14.0	1.50	29.6	14.6	1.66	28.2	14.2	1.85	26.7	14.0	2.06	25.01	13.99	2.29	23.17	13.94	2.55
	75	63	26.6	18.0	1.47	25.6	18.5	1.62	24.3	18.0	1.80	23.0	17.7	2.00	21.57	17.63	2.23	20.00	17.46	2.48
1000	80	62	27.6	25.1	1.47	26.6	24.8	1.63	25.5	23.8	1.81	24.3	23.1	2.02	22.99	22.21	2.26	21.52	21.43	2.51
	80	67	29.3	20.7	1.49	28.1	20.9	1.64	26.7	20.4	1.83	25.3	20.3	2.04	23.66	20.12	2.27	21.93	20.07	2.52
	80	72	31.5	15.4	1.50	30.3	15.8	1.67	28.8	15.3	1.86	27.2	15.2	2.07	25.48	15.07	2.31	23.59	15.11	2.56
	75	63	27.3	20.0	1.47	26.2	20.2	1.63	24.9	19.7	1.81	23.5	19.5	2.01	22.06	19.30	2.24	20.44	19.19	2.49

DF6SF-X36K

O.D.T			65°F			75°F			85°F			95°F			105°F			115°F		
CFM	E.D.B.	E.W.B.	T.C.	S.C.	K.W.	T.C.	S.C.	K.W.	T.C.	S.C.	K.W.	T.C.	S.C.	K.W.	T.C.	S.C.	K.W.	T.C.	S.C.	K.W.
1000	80	62	36.3	29.0	2.13	35.0	28.8	2.36	33.5	28.9	2.62	31.8	28.4	2.91	30.03	29.53	3.24	28.17	27.69	3.61
	80	67	39.4	23.7	2.16	37.9	23.6	2.39	36.3	23.8	2.66	34.5	23.3	2.94	32.49	22.97	3.27	30.29	21.57	3.64
	80	72	42.9	18.0	2.20	41.3	18.0	2.43	39.5	18.4	2.69	37.6	18.0	2.98	35.41	17.70	3.31	33.01	18.06	3.69
	75	63	36.8	23.1	2.14	35.4	23.0	2.37	33.9	23.2	2.63	32.2	22.7	2.91	30.32	20.75	3.24	28.26	22.40	3.62
1150	80	62	37.4	31.5	2.14	36.0	32.1	2.37	34.4	31.3	2.63	32.8	30.8	2.92	31.13	30.08	3.25	29.33	29.09	3.63
	80	67	40.4	25.5	2.17	38.9	26.3	2.40	37.1	25.7	2.67	35.3	25.5	2.95	33.18	25.41	3.28	30.91	25.34	3.66
	80	72	43.9	19.2	2.21	42.2	20.1	2.44	40.4	19.6	2.70	38.3	19.4	2.99	36.07	19.52	3.32	33.57	19.57	3.69
	75	63	37.8	24.9	2.15	36.3	25.5	2.38	34.7	24.9	2.64	32.9	24.6	2.92	30.99	24.54	3.25	28.85	24.39	3.63
1300	80	62	38.3	34.1	2.15	36.9	34.1	2.38	35.4	33.1	2.64	33.9	32.2	2.93	32.21	31.12	3.26	30.31	30.19	3.64
	80	67	41.2	27.7	2.18	39.6	28.1	2.41	37.8	27.5	2.67	35.9	27.4	2.96	33.76	27.24	3.28	31.42	27.29	3.66
	80	72	44.6	20.8	2.22	42.9	21.3	2.45	41.0	20.8	2.71	38.9	20.8	3.00	36.53	20.71	3.32	33.99	20.90	3.70
	75	63	38.5	27.0	2.16	37.0	27.3	2.39	35.4	26.6	2.65	33.5	26.5	2.93	31.54	26.24	3.26	29.35	26.20	3.63

DF6SF-X48K

O.D.T			65°F			75°F			85°F			95°F			105°F			115°F		
CFM	E.D.B.	E.W.B.	T.C.	S.C.	K.W.	T.C.	S.C.	K.W.	T.C.	S.C.	K.W.	T.C.	S.C.	K.W.	T.C.	S.C.	K.W.	T.C.	S.C.	K.W.
1350	80	62	47.9	38.7	2.90	46.2	38.5	3.19	44.3	38.7	3.50	42.2	38.1	3.83	39.88	39.21	4.21	37.54	36.90	4.62
	80	67	52.1	31.6	2.94	50.3	31.5	3.23	48.1	31.8	3.55	45.8	31.3	3.88	43.22	30.80	4.25	40.40	28.92	4.66
	80	72	56.9	24.1	2.99	54.8	24.1	3.28	52.6	24.6	3.60	50.0	24.1	3.94	47.16	23.76	4.30	44.09	24.28	4.72
	75	63	48.6	30.8	2.91	46.8	30.6	3.20	44.8	30.9	3.51	42.6	30.3	3.84	40.21	27.79	4.21	37.54	29.96	4.62
1500	80	62	49.1	41.3	2.91	47.3	42.1	3.20	45.3	41.2	3.51	43.2	40.6	3.85	41.09	39.70	4.22	38.79	38.46	4.65
	80	67	53.2	33.5	2.95	51.2	34.5	3.24	49.1	33.8	3.56	46.6	33.5	3.89	43.98	33.47	4.26	41.04	33.40	4.67
	80	72	57.9	25.3	3.00	55.8	26.6	3.29	53.4	25.8	3.61	50.8	25.7	3.95	47.84	25.81	4.32	44.64	25.90	4.72
	75	63	49.6	32.6	2.92	47.7	33.5	3.21	45.7	32.7	3.52	43.4	32.3	3.85	40.92	32.26	4.22	38.17	32.09	4.63
1650	80	62	50.1	44.2	2.92	48.3	44.4	3.21	46.4	43.2	3.53	44.4	42.2	3.86	42.28	40.85	4.24	39.87	39.70	4.65
	80	67	54.1	35.9	2.95	52.1	36.5	3.25	49.8	35.7	3.57	47.3	35.6	3.90	44.60	35.37	4.27	41.62	35.47	4.68
	80	72	58.7	27.1	3.01	56.5	27.8	3.30	54.1	27.1	3.62	51.4	27.1	3.96	48.42	27.04	4.32	45.17	27.31	4.73
	75	63	50.4	34.9	2.93	48.5	35.3	3.22	46.4	34.5	3.53	44.1	34.3	3.86	41.55	34.04	4.23	38.72	34.01	4.65

DF6SF-X60K

O.D.T			65°F			75°F			85°F			95°F			105°F			115°F		
CFM	E.D.B.	E.W.B.	T.C.	S.C.	K.W.	T.C.	S.C.	K.W.	T.C.	S.C.	K.W.	T.C.	S.C.	K.W.	T.C.	S.C.	K.W.	T.C.	S.C.	K.W.
1600	80	62	58.3	46.5	3.55	56.2	46.2	3.85	53.7	46.4	4.20	50.9	45.5	4.62	47.90	47.09	5.11	44.84	44.08	5.65
	80	67	63.3	38.1	3.59	60.8	37.9	3.90	58.1	38.2	4.25	55.0	37.4	4.67	51.70	36.70	5.15	48.09	34.42	5.70
	80	72	69.5	29.2	3.66	66.7	29.1	3.96	63.7	29.6	4.32	60.4	29.0	4.74	56.68	28.42	5.22	52.65	28.93	5.76
	75	63	59.0	37.2	3.56	56.7	36.9	3.86	54.2	37.1	4.21	51.3	36.3	4.64	48.21	32.98	5.12	44.83	35.55	5.66
1750	80	62	59.5	49.2	3.55	57.2	50.1	3.86	54.7	49.0	4.21	51.9	48.3	4.64	49.00	47.35	5.12	46.07	45.68	5.67
	80	67	64.3	40.0	3.60	61.8	41.2	3.91	59.0	40.1	4.26	55.8	39.6	4.69	52.46	39.45	5.16	48.76	39.18	5.71
	80	72	70.5	30.4	3.67	67.7	31.8	3.97	64.6	30.9	4.33	61.1	30.5	4.75	57.29	30.63	5.23	53.05	30.62	5.77
	75	63	60.0	39.0	3.57	57.7	40.0	3.87	55.0	38.9	4.22	52.1	38.3	4.65	48.94	38.04	5.12	45.46	37.66	5.67
1900	80	62	60.5	52.3	3.56	58.2	52.7	3.87	55.6	51.4	4.22	53.0	50.3	4.65	50.21	48.52	5.13	47.16	46.96	5.69
	80	67	65.2	42.5	3.61	62.7	43.0	3.92	59.8	42.0	4.27	56.6	41.7	4.69	53.10	41.28	5.17	49.33	41.21	5.72
	80	72	71.2	32.3	3.68	68.4	33.1	3.97	65.2	32.1	4.34	61.6	32.1	4.76	57.66	31.86	5.22	53.04	31.97	5.77
	75	63	60.9	41.3	3.57	58.5	41.7	3.88	55.9	40.6	4.23	52.8	40.3	4.65	49.57	39.75	5.13	46.02	39.57	5.67

HEATING EXPANDED RATINGS

DF6SF-X24K

OUTDOOR TEMPERATURE (Deg. F)

CFM	Indoor T. Deg.F	10			17			20			30			40			50			60					
		MBH	COP	kW	MBH	COP	kW	MBH	COP	kW	MBH	COP	kW	MBH	COP	kW	MBH	COP	kW	MBH	COP	kW			
700	60	11.1	2.01	1.62	13.5	2.40	1.65	14.5	2.56	1.66	17.8	3.09	1.70	21.2	3.59	1.73	23.6	3.93	1.76	24.6	4.07	1.77	27.9	4.53	1.81
	70	10.6	1.96	1.58	12.8	2.30	1.63	13.7	2.44	1.64	16.8	2.90	1.70	19.9	3.32	1.76	22.1	3.59	1.80	23.0	3.71	1.82	26.2	4.08	1.88
	80	10.0	1.87	1.57	12.0	2.18	1.61	12.9	2.31	1.64	15.7	2.71	1.70	18.6	3.08	1.77	20.6	3.32	1.82	21.5	3.42	1.84	24.4	3.74	1.91
800	60	11.2	1.97	1.66	13.6	2.36	1.69	14.6	2.52	1.70	18.0	3.05	1.73	21.4	3.56	1.77	23.8	3.90	1.79	24.9	4.04	1.80	28.3	4.51	1.84
	70	10.7	1.92	1.63	12.9	2.27	1.67	13.9	2.41	1.69	17.0	2.86	1.74	20.2	3.29	1.80	22.4	3.57	1.84	23.3	3.69	1.86	26.5	4.06	1.91
	80	10.1	1.84	1.60	12.2	2.15	1.65	13.0	2.28	1.68	16.0	2.68	1.75	18.9	3.05	1.82	21.0	3.29	1.87	21.9	3.39	1.89	24.8	3.71	1.96
900	60	11.3	1.95	1.71	13.7	2.33	1.73	14.8	2.50	1.74	18.2	3.02	1.77	21.7	3.53	1.80	24.1	3.88	1.82	25.1	4.03	1.83	28.6	4.50	1.86
	70	10.8	1.90	1.67	13.0	2.24	1.71	14.0	2.39	1.72	17.2	2.84	1.78	20.4	3.27	1.83	22.7	3.56	1.87	23.7	3.67	1.89	26.9	4.06	1.94
	80	10.2	1.82	1.64	12.3	2.13	1.69	13.2	2.25	1.72	16.1	2.65	1.79	19.1	3.01	1.86	21.2	3.25	1.91	22.1	3.35	1.93	25.0	3.67	2.00

DF6SF-X36K

OUTDOOR TEMPERATURE (Deg. F)

CFM	Indoor T. Deg.F	10			17			20			30			40			50			60					
		MBH	COP	kW	MBH	COP	kW	MBH	COP	kW	MBH	COP	kW	MBH	COP	kW	MBH	COP	kW	MBH	COP	kW			
1000	60	15.8	2.15	2.15	19.0	2.54	2.20	20.4	2.70	2.22	25.1	3.22	2.29	29.8	3.71	2.35	33.1	4.04	2.40	34.5	4.18	2.42	39.2	4.61	2.49
	70	15.1	2.02	2.20	18.2	2.37	2.25	19.6	2.52	2.28	24.1	2.98	2.36	28.5	3.42	2.45	31.6	3.70	2.51	33.0	3.82	2.53	37.5	4.20	2.61
	80	14.5	1.89	2.26	17.5	2.21	2.33	18.8	2.34	2.35	23.0	2.76	2.44	27.3	3.15	2.54	30.2	3.41	2.60	31.5	3.51	2.63	35.7	3.85	2.72
1100	60	15.8	2.12	2.19	19.1	2.52	2.23	20.6	2.68	2.25	25.3	3.21	2.32	30.1	3.70	2.38	33.4	4.04	2.43	34.8	4.18	2.45	39.6	4.62	2.51
	70	15.2	2.00	2.23	18.4	2.36	2.29	19.8	2.50	2.31	24.3	2.97	2.39	28.8	3.41	2.47	32.0	3.70	2.53	33.3	3.82	2.55	37.8	4.21	2.63
	80	14.6	1.87	2.29	17.7	2.20	2.36	18.9	2.33	2.38	23.2	2.75	2.48	27.5	3.15	2.57	30.6	3.41	2.63	31.9	3.52	2.66	36.2	3.86	2.75
1200	60	15.9	2.10	2.22	19.3	2.49	2.27	20.7	2.66	2.28	25.5	3.19	2.35	30.3	3.69	2.41	33.7	4.03	2.45	35.1	4.17	2.47	39.9	4.62	2.53
	70	15.4	1.99	2.27	18.6	2.35	2.32	19.9	2.49	2.34	24.5	2.97	2.42	29.1	3.41	2.50	32.3	3.70	2.55	33.6	3.83	2.58	38.2	4.22	2.66
	80	14.8	1.86	2.33	17.8	2.18	2.39	19.1	2.32	2.42	23.4	2.74	2.50	27.7	3.14	2.59	30.8	3.40	2.66	32.1	3.51	2.68	36.4	3.85	2.77

DF6SF-X48K

OUTDOOR TEMPERATURE (Deg. F)

CFM	Indoor T. Deg.F	10			17			20			30			40			50			60					
		MBH	COP	kW	MBH	COP	kW	MBH	COP	kW	MBH	COP	kW	MBH	COP	kW	MBH	COP	kW	MBH	COP	kW			
1500	60	22.4	1.88	3.49	26.6	2.24	3.48	28.5	2.40	3.48	34.5	2.92	3.46	40.6	3.45	3.45	44.9	3.83	3.44	46.7	3.99	3.43	52.8	4.53	3.42
	70	21.6	1.68	3.76	25.7	2.02	3.74	27.5	2.16	3.73	33.4	2.65	3.70	39.3	3.14	3.67	43.4	3.49	3.65	45.2	3.64	3.64	51.1	4.15	3.61
	80	21.1	1.52	4.05	25.0	1.83	4.02	26.7	1.96	4.01	32.4	2.40	3.96	38.1	2.85	3.92	42.1	3.17	3.88	43.8	3.31	3.87	49.4	3.79	3.83
1650	60	22.5	1.80	3.66	26.9	2.16	3.65	28.7	2.31	3.64	34.9	2.82	3.62	41.1	3.34	3.61	45.4	3.70	3.59	47.2	3.86	3.59	53.4	4.39	3.57
	70	21.8	1.63	3.92	26.0	1.96	3.90	27.8	2.10	3.89	33.8	2.57	3.86	39.7	3.05	3.82	43.9	3.39	3.80	45.7	3.54	3.79	51.7	4.03	3.76
	80	21.2	1.47	4.22	25.3	1.77	4.19	27.0	1.90	4.17	32.7	2.33	4.12	38.5	2.78	4.07	42.6	3.10	4.03	44.3	3.24	4.01	50.1	3.70	3.96
1800	60	22.6	1.71	3.86	27.0	2.05	3.85	28.9	2.20	3.84	35.1	2.69	3.82	41.4	3.19	3.81	45.8	3.54	3.79	47.7	3.69	3.79	54.0	4.20	3.77
	70	22.1	1.56	4.13	26.3	1.88	4.10	28.1	2.01	4.09	34.1	2.34	4.27	40.1	2.93	4.02	44.4	3.26	3.99	46.2	3.40	3.98	52.2	3.88	3.94
	80	21.4	1.42	4.42	25.5	1.70	4.38	27.2	1.83	4.36	33.0	2.13	4.54	38.9	2.68	4.25	42.9	2.99	4.21	44.7	3.12	4.20	50.5	3.57	4.14

DF6SF-X60K

OUTDOOR TEMPERATURE (Deg. F)

CFM	Indoor T. Deg.F	10			17			20			30			40			50			60					
		MBH	COP	kW	MBH	COP	kW	MBH	COP	kW	MBH	COP	kW	MBH	COP	kW	MBH	COP	kW	MBH	COP	kW			
1600	60	29.4	2.34	3.69	34.7	2.67	3.81	37.0	2.81	3.86	44.6	3.24	4.04	52.3	3.63	4.22	57.6	3.89	4.34	59.9	4.00	4.39	67.5	4.33	4.57
	70	28.5	2.10	3.97	33.7	2.41	4.10	35.9	2.54	4.15	43.4	2.95	4.32	50.9	3.32	4.50	56.1	3.56	4.62	58.4	3.66	4.67	65.9	3.98	4.85
	80	28.0	1.92	4.28	33.1	2.20	4.40	35.2	2.32	4.46	42.5	2.69	4.64	49.8	3.03	4.82	54.9	3.25	4.95	57.0	3.34	5.00	64.3	3.64	5.18
1800	60	29.7	2.34	3.72	35.1	2.68	3.83	37.4	2.82	3.88	45.1	3.27	4.05	52.9	3.68	4.21	58.3	3.95	4.33	60.6	4.06	4.38	68.4	4.42	4.54
	70	28.8	2.11	4.00	34.1	2.43	4.11	36.4	2.56	4.16	43.9	2.98	4.32	51.5	3.37	4.49	56.8	3.62	4.60	59.1	3.73	4.65	66.6	4.06	4.81
	80	28.2	1.92	4.31	33.4	2.21	4.42	35.6	2.33	4.47	42.9	2.72	4.64	50.3	3.08	4.80	55.5	3.31	4.91	57.7	3.41	4.96	65.1	3.73	5.12
2000	60	29.7	2.32	3.75	35.2	2.67	3.86	37.6	2.82	3.91	45.5	3.28	4.07	53.4	3.70	4.23	58.9	3.98	4.34	61.3	4.09	4.39	69.2	4.46	4.55
	70	29.2	2.12	4.04	34.5	2.44	4.14	36.8	2.58	4.19	44.4	3.00	4.34	52.1	3.40	4.49	57.4	3.66	4.60	59.7	3.77	4.65	67.3	4.11	4.80
	80	28.5	1.92	4.34	33.7	2.22	4.45	35.9	2.35	4.49	43.4	2.74	4.64	50.8	3.11	4.79	56.1	3.36	4.90	58.3	3.46	4.94	65.7	3.79	5.09



GENERAL TERMS OF LIMITED WARRANTY

NORDYNE will furnish a replacement for any part of this product which fails in normal use and service within the first ten years of installation, in accordance with the terms of the warranty.

For complete details of the Limited Warranty, including applicable terms and conditions, see your local installer or contact the NORDYNE warranty department for a copy.



COMPLETE COMFORT. GENUINE VALUE. 8000 Phoenix Parkway | O'Fallon, MO 63368-3827

Specifications and illustrations subject to change without notice and without incurring obligations. Printed in U.S.A (11/2009)
463D-1109 (Replaces 463D-1009)