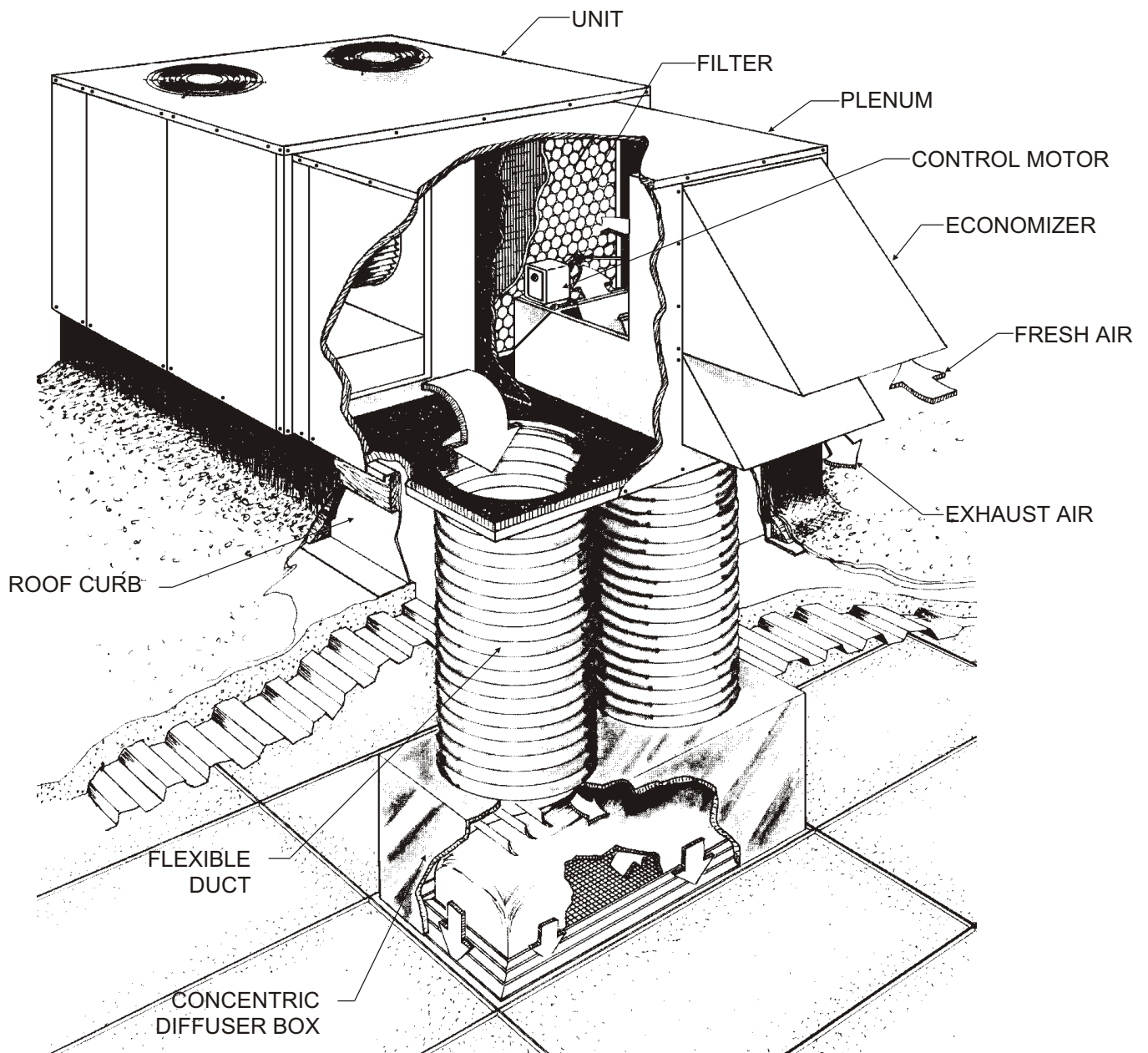


INSTALLATION INSTRUCTIONS

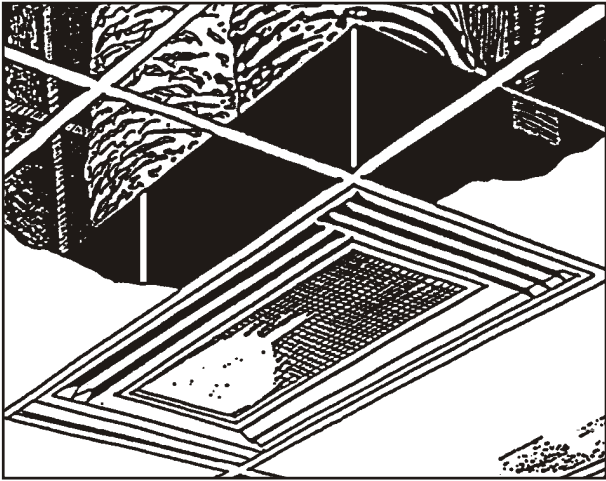
INSTALLATION INSTRUCTIONS CONCENTRIC DIFFUSER

FORM# 597A-1004 (Replaces 597A-0298)



INSTALLATION INSTRUCTIONS

INSTALLATION INSTRUCTIONS CONCENTRIC DIFFUSER

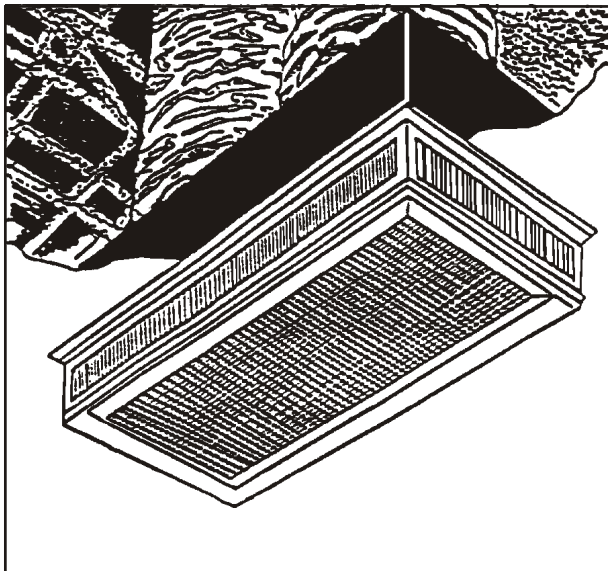


FLUSH MOUNT CONCENTRIC DIFFUSER SYSTEMS

Flush Mount concentric diffuser systems, are designed to provide a single point air distribution system. The systems may be used with either a "T-Bar ceiling or a plaster ceiling.

Standard features include:

1. All aluminum diffuser with aluminum return air eggcrate.
2. Built-in Anti-Sweat gasket.
3. Molded Fiberglass Transition (through five tons).
4. Built-in hanging supports.
5. Diffuser box constructed of fiberglass ductboard (through 7.5 tons) or sheet metal.



SIDE DISCHARGE CONCENTRIC DIFFUSER SYSTEM

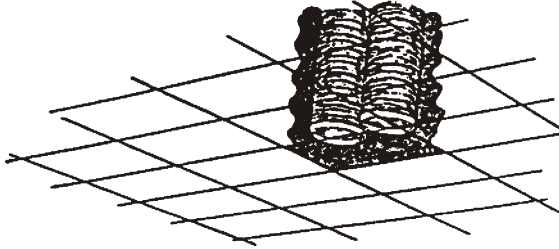
Side Discharge concentric diffuser systems are designed to provide a single point air distribution system with the added benefit of having directional air control. The system may be used with either a "T-Bar" ceiling or a plaster ceiling.

Standard features include:

1. All aluminum diffuser with aluminum return air eggcrate.
2. Double deflection diffuser with the blades secured by spring steel.
3. Built-in Anti-Sweat gasket.
4. Molded Fiberglass Transition. (through five tons).
5. Built-in hanging supports.
6. Diffuser box construction of fiberglass ductboard (through 7.5 tons) or sheet metal.

INSTALLATION INSTRUCTIONS

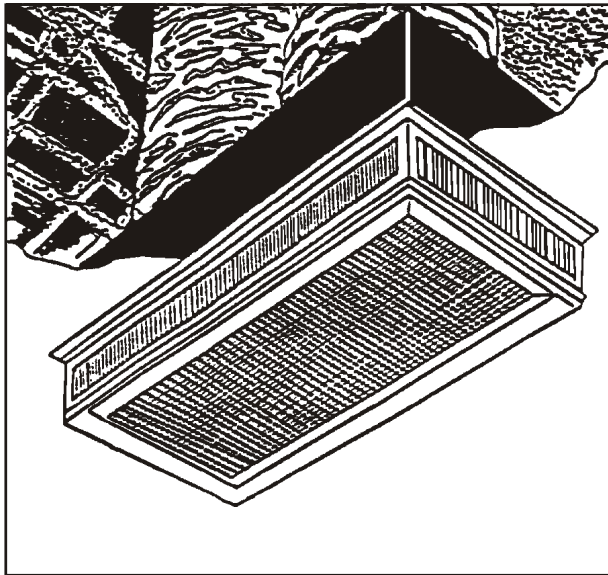
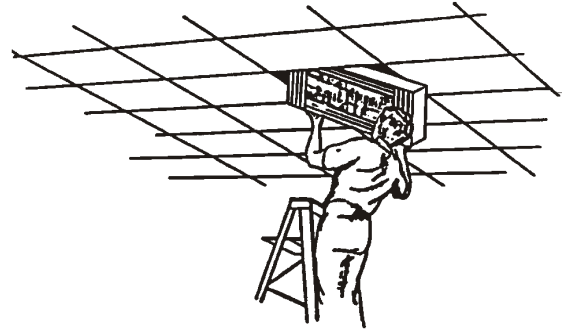
INSTALLATION INSTRUCTIONS CONCENTRIC DIFFUSER



1. The flex duct hanging from the unit should be close to the ceiling opening for the diffuser, as shown at left. One or two extra ceiling tiles must be removed in order to attach diffuser and duct properly. The flex duct will allow for some misalignment between the unit and the diffuser.

2. (Before installing diffuser make sure that the four small chains with turn buckles are in position.) Insert the diffuser through the opening where it will be located and aligned on the T-Bars. Attach the flex duct or sheet metal duct and hanger chains to remove any strain on the T-Bars.

Warning: Be sure supply opening is located under supply opening on the A/C Unit.

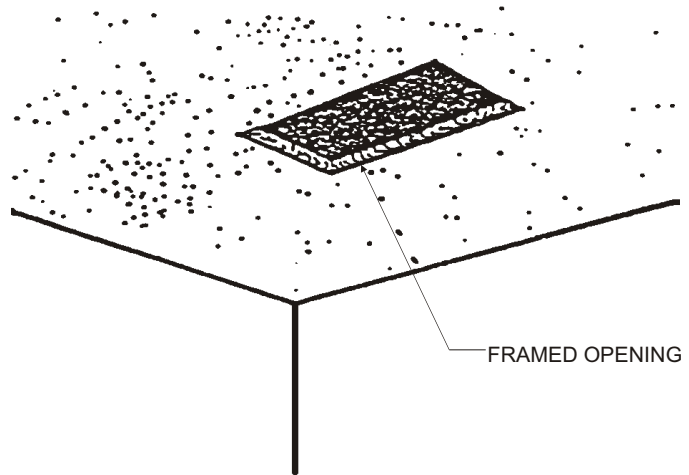


3. Make sure that the concentric diffuser is installed as shown in the picture at the right for proper support.

INSTALLATION INSTRUCTIONS

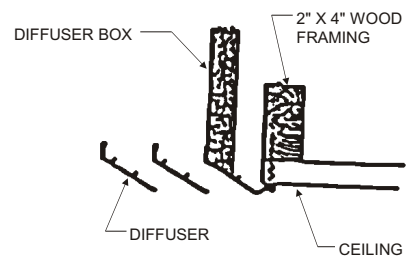
INSTALLATION INSTRUCTIONS CONCENTRIC DIFFUSER

1. Cut opening in ceiling $\frac{1}{2}$ inch larger than the diffuser box dimension shown on specifications. (Note: The box dimensions is smaller than the diffuser dimension). Frame opening with 2" x 4" wood nailer.



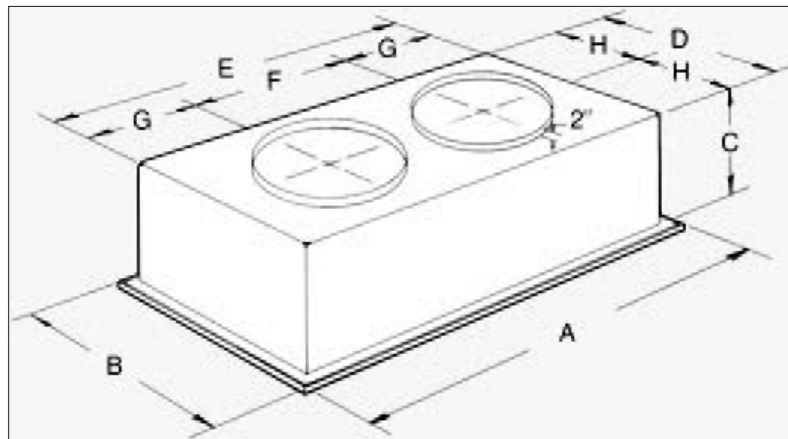
2. Connect duct to the diffuser assembly and slide the diffuser and duct into framed opening and secure with screws. In applications where long duct drops are required, it is advisable to connect a wire to duct to pull it up to the roof curb.

Warning: Be sure that the supply opening is located under the supply opening of the A/C unit.

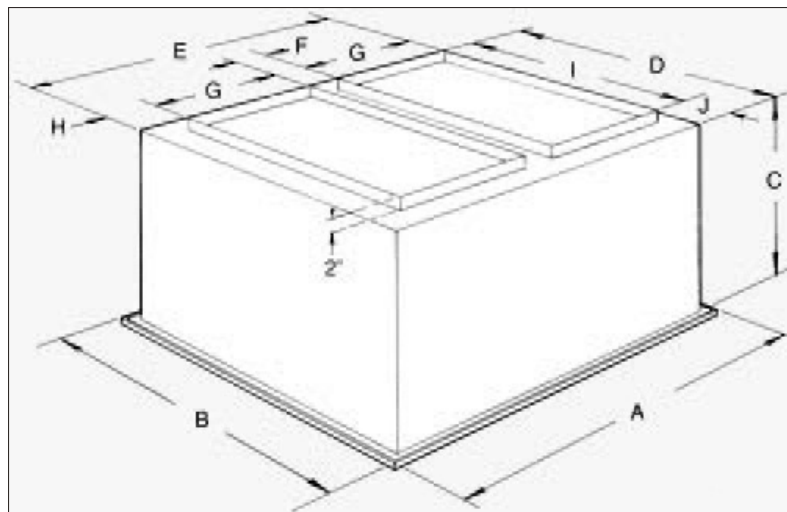


INSTALLATION INSTRUCTIONS

INSTALLATION INSTRUCTIONS CONCENTRIC DIFFUSER



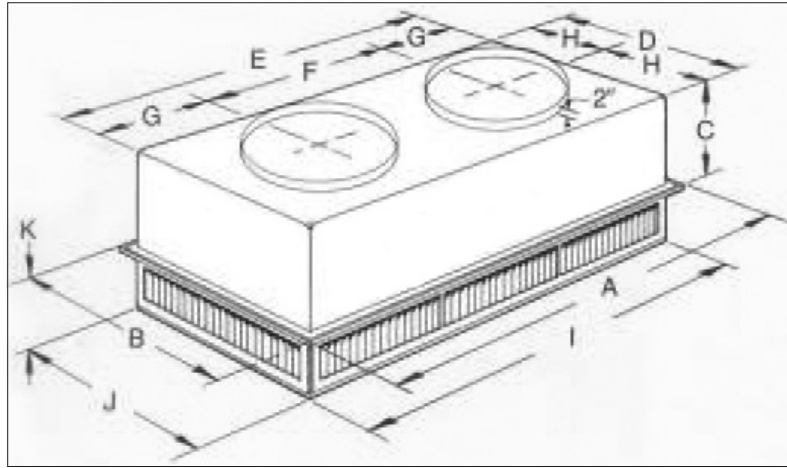
DIMENSIONAL DATA									
MODEL#	A	B	C	D	E	F	G	H	DUCT SIZE
547836	47 ⁵ / ₈	23 ⁵ / ₈	13 ¹ / ₂	21	45	22 ¹ / ₂	11 ¹ / ₄	10 ¹ / ₂	16 RD
547837	47 ⁵ / ₈	23 ⁵ / ₈	13 ¹ / ₂	21	45	22 ¹ / ₂	11 ¹ / ₄	10 ¹ / ₂	18 RD
547870	47 ⁵ / ₈	29 ⁵ / ₈	16 ⁵ / ₈	27	45	22 ¹ / ₂	11 ¹ / ₄	13 ¹ / ₂	20 RD



DIMENSIONAL DATA											
MODEL#	A	B	C	D	E	F	G	H	I	J	DUCT SIZE
547879	47 ⁵ / ₈	35 ⁵ / ₈	23 ¹ / ₄	33	45	4 ¹ / ₂	18	2 ¹ / ₄	28	2 ¹ / ₂	18x28
555637	47 ⁵ / ₈	41 ⁵ / ₈	29 ¹ / ₄	39	45	4 ¹ / ₂	18	2 ¹ / ₄	32	3 ¹ / ₄	18x32
555638	47 ⁵ / ₈	47 ⁵ / ₈	29 ¹ / ₄	45	45	4 ¹ / ₂	18	2 ¹ / ₄	36	4 ¹ / ₂	18x36

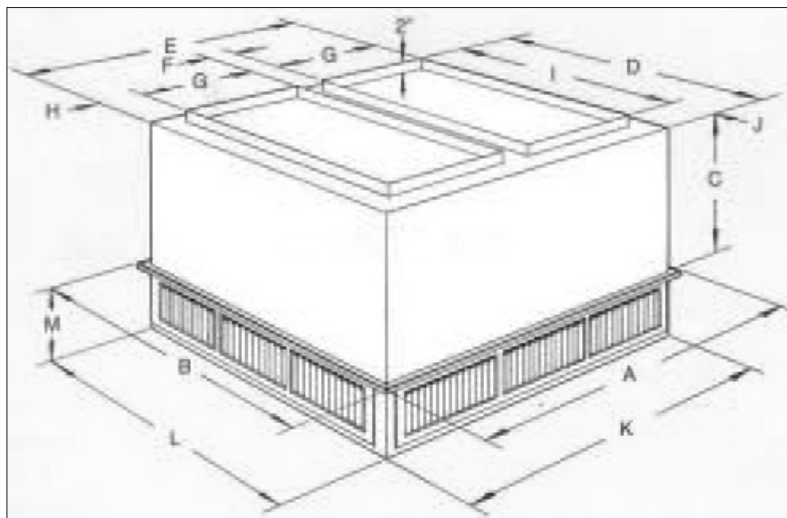
INSTALLATION INSTRUCTIONS

INSTALLATION INSTRUCTIONS CONCENTRIC DIFFUSER



DIMENSIONAL DATA

MODEL#	A	B	C	D	E	F	G	H	I	J	K	DUCT SIZE
547838	47 ⁵ / ₈	23 ⁵ / ₈	11 ³ / ₈	21 ¹ / ₂	45 ¹ / ₂	22 ¹ / ₂	11 ¹ / ₂	10 ³ / ₄	45 ¹ / ₂	21 ¹ / ₂	7 ¹ / ₈	16 RD
547839	47 ⁵ / ₈	23 ⁵ / ₈	11 ³ / ₈	21 ¹ / ₂	45 ¹ / ₂	22 ¹ / ₂	11 ¹ / ₂	10 ³ / ₄	45 ¹ / ₂	21 ¹ / ₂	7 ¹ / ₈	18 RD
547871	47 ⁵ / ₈	29 ⁵ / ₈	14 ³ / ₈	27 ¹ / ₂	45 ¹ / ₂	22 ¹ / ₂	11 ¹ / ₂	13 ³ / ₄	45 ¹ / ₂	27 ¹ / ₂	8 ¹ / ₈	20 RD



DIMENSIONAL DATA

MODEL#	A	B	C	D	E	F	G	H	I	J	K	L	M	DUCT SIZE
547880	47 ⁵ / ₈	35 ⁵ / ₈	20 ⁵ / ₈	33 ¹ / ₂	45 ¹ / ₂	4 ¹ / ₂	18	2 ¹ / ₂	28	2 ³ / ₄	45 ¹ / ₂	33 ¹ / ₂	9 ¹ / ₈	18x28
555639	47 ⁵ / ₈	41 ⁵ / ₈	24 ⁵ / ₈	39 ¹ / ₂	45 ¹ / ₂	4 ¹ / ₂	18	2 ¹ / ₂	32	3 ³ / ₄	45 ¹ / ₂	39 ¹ / ₂	9 ¹ / ₈	18x32
555640	47 ⁵ / ₈	47 ⁵ / ₈	24 ⁵ / ₈	45 ¹ / ₂	45 ¹ / ₂	4 ¹ / ₂	18	2 ¹ / ₂	36	4 ³ / ₄	45 ¹ / ₂	45 ¹ / ₂	10 ¹ / ₈	18x36