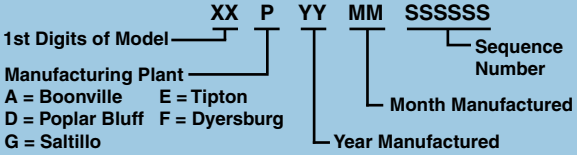
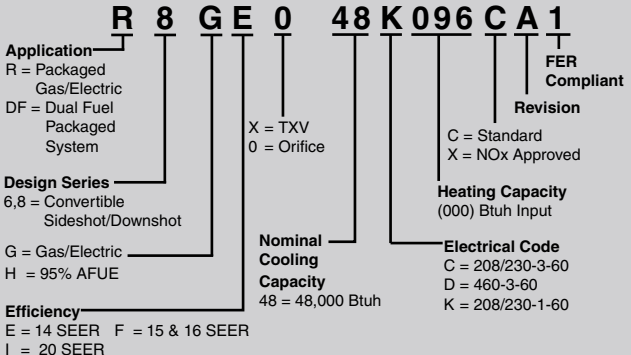
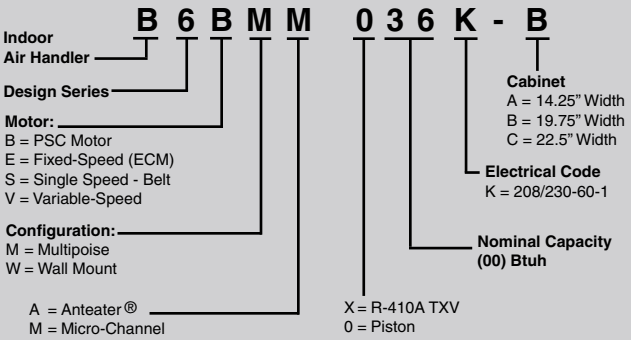
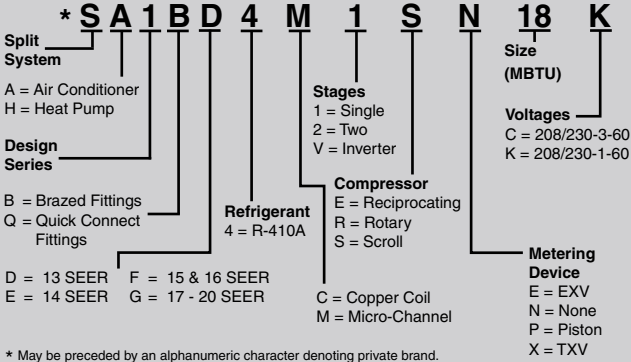
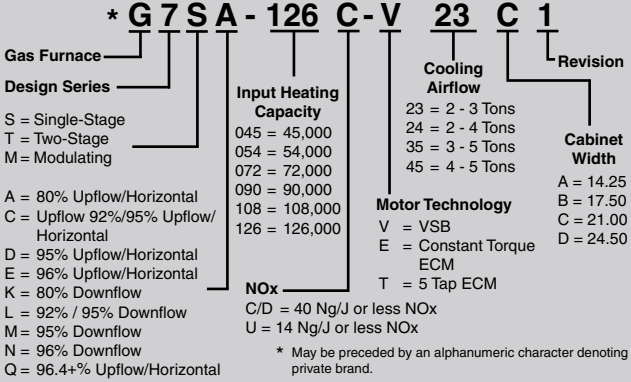
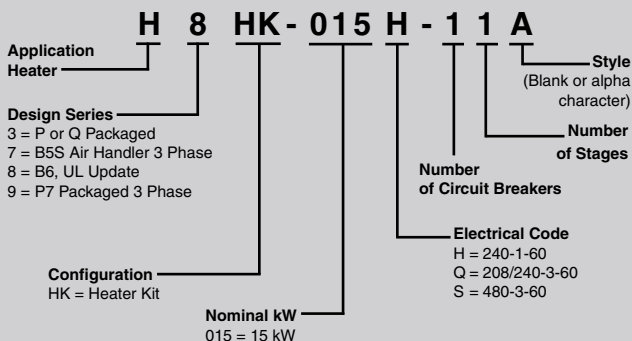
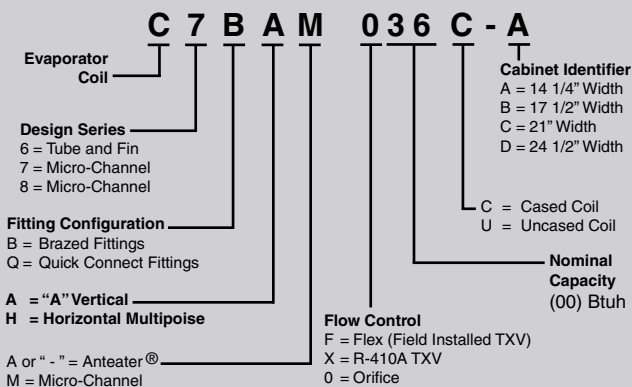
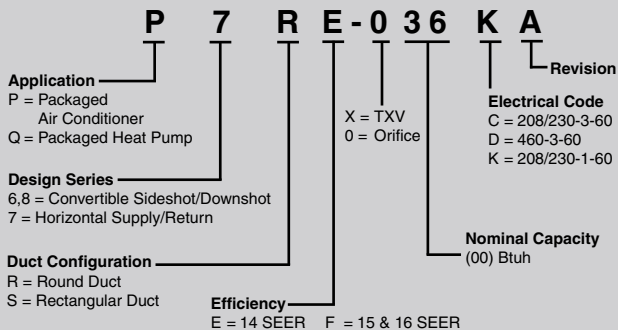


SERIAL NUMBER INTERPRETER



NOTE: Some Manufactured Housing and Light/Commercial models not featured





Nortek Global HVAC: 1-800-422-4328

www.nortekhvac.com