

**MAYTAG**

## TECHNICAL SPECIFICATIONS

*Model B6BW Series*



**Air Handler - 1.5 - 3.0 Tons  
13 SEER Residential or Multi-family System**



- **5 YEAR ALL PARTS LIMITED WARRANTY**
- **Product registration required for 5 year All Parts Warranty within a limited period of time after the installation. See current warranty document for details. This can be viewed at [www.maytagvac.com](http://www.maytagvac.com) or ask your sales representative.**



The B6BW Series air handler, when combined with our heat pump or air conditioner, offers a full line of quality, split system heating and cooling equipment.

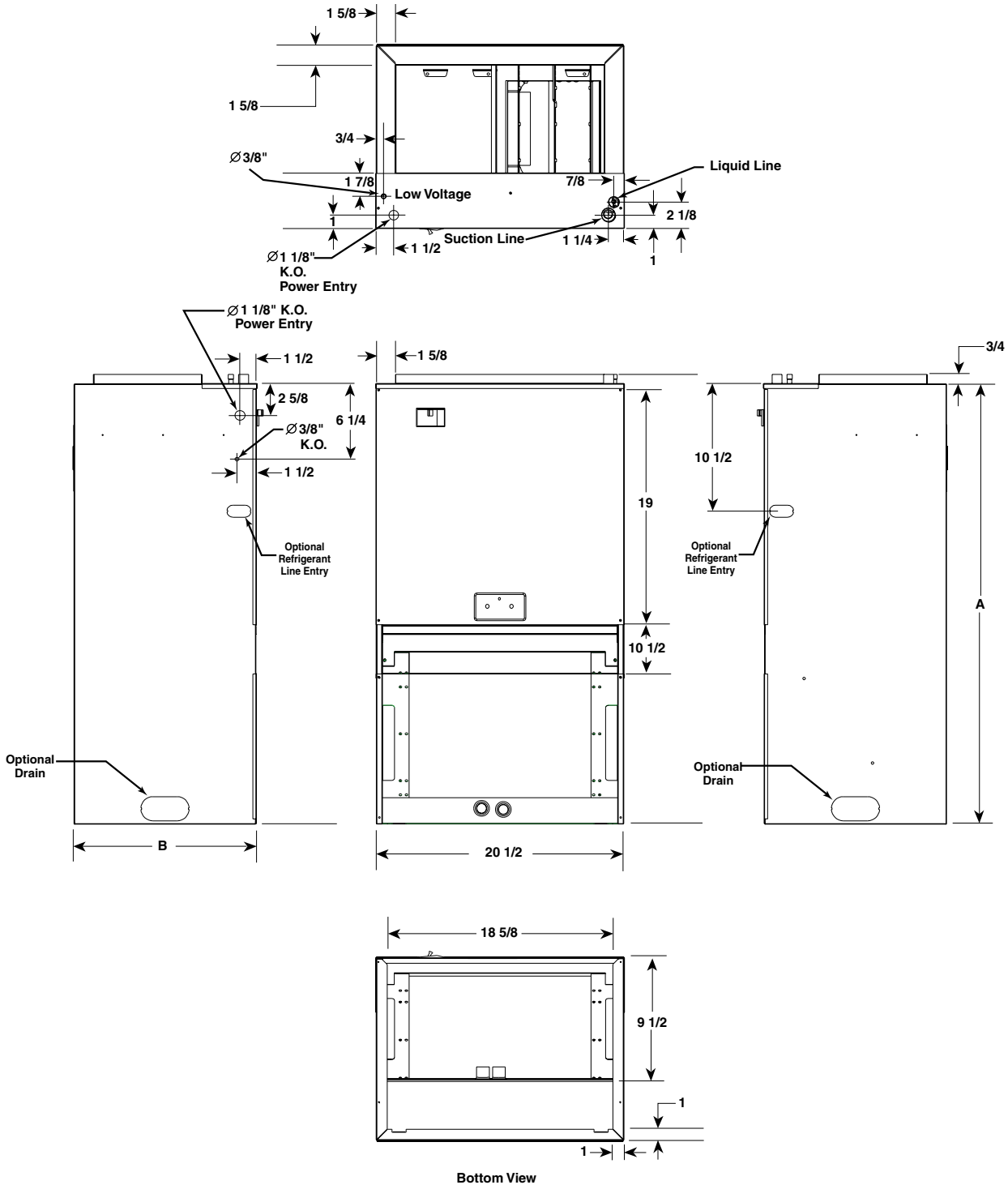
### **Features and Benefits**

**Durable, Attractive Cabinet:** Designed using galvanized steel with optional white decorative panel. The plastic drain pan is corrosion resistant.

- **Multi-speed:** Gives flexibility of installation.
- **Blower Control Board:** Incorporating blower time delay.
- **Ease-of-Service:** Plug-in wire connections and built-in filter rack makes the air handler easy to service.
- **Heater Kits Installed:** Available in 5kw, 8kw & 10kw.
- **Breaker Accessibility:** Breaker accessible from front of unit.
- **Fully insulated Cabinet:** for quiet operation.
- **Front and/or Bottom Return air**
- **Offset Hanging Bracket for Easy Installation**

# DIMENSIONS

Model Number	Refrigerant		Filter Size	Supply Air Duct Dimension	A	B
	Suction Dia.	Liquid Dia.				
018	3/4	3/8	16 x 20 x 1	9 x 17 1/4	36 3/8	15
024	3/4	3/8	16 x 20 x 1	9 x 17 1/4	36 3/8	15
030	3/4	3/8	20 x 20 x 1	9 x 17 1/4	43 1/2	15
036	3/4	3/8	20 x 24 x 1	15 x 17 1/4	43 1/2	21



Bottom View

# SPECIFICATIONS

Model Number B6BW-	018	024	030	036
Nominal Cooling Capacity - Btuh (1)	17,200	24,000	27,600	33,000
Refrigerant Flow Control	Orifice	Orifice	Orifice	Orifice
Orifice Size as Shipped	.048	.057	.060	.069
Available Heat (kw)	5, 8	5, 8, 10	5, 8, 10	5, 8, 10
Nominal Blower Size (D x W)	10 x 6	10 x 6	10 x 6	10 x 8
(H.P. - Speed - Type)	1/9-2-PSC	1/5-2-PSC	1/4-3-PSC	1/2-5-PSC
Rated External Static Pressure (in. W.C.)	.30	.30	.30	.30
Filter Size (see note below)	16 x 20 x 1	16 x 20 x 1	20 x 20 x 1	20 x 24 x 1
Approximate Shipping Weight (lbs.)	80	80	88	92

(1) See current AHRI Directory for certified combinations and ratings.

# SYSTEM AIR FLOW DATA

Dry Coil ESP		0.10	0.20	0.30	0.40	0.50	0.60		
018K	Low	665	645	592	521	422	326		
	High	769	719	656	565	459	347		
Dry Coil ESP		0.10	0.20	0.30	0.40	0.50	0.60	0.70	0.80
024K	Low	846	795	756	707	668	589	533	467
	High	926	890	845	791	732	672	603	536
Dry Coil ESP		0.10	0.20	0.30	0.40	0.50	0.60	0.70	0.80
030K	Low	869	832	795	758	704	639	579	507
	Medium	933	903	866	820	770	714	640	576
	High	1014	971	929	884	833	780	714	640
Dry Coil ESP		0.10	0.20	0.30	0.40	0.50	0.60	0.70	0.80
036K	Low	936	901	891	840	789	739	688	613
	Med-Low	1160	1122	1087	1046	1001	950	899	855
	Medium	1287	1253	1213	1178	1142	1092	1049	1002
	Med-High	1434	1394	1353	1328	1297	1248	1220	1202
	High	1550	1515	1495	1457	1429	1416	1388	1355

**Notes:**

- 1) Airflow is shown in cfm, +/- 5%.
- 2) External static pressure is shown in inches w.c.
- 3) All airflows are measured with filter and with dry coil. For wet coil, subtract .1" external static pressure.
- 4) See unit nameplate or installation instructions for maximum recommended external static pressure.

# ELECTRICAL DATA

Model Number B6BW-	018-05		018-08	
Voltage	208	240	208	240
KW (nominal)	3.8	5	6	8
Minimum Circuit Ampacity (single circuit)	22.7	26.1	34.7	40.1
Maximum Over-Current Protection (single circuit)	25	30	40	45

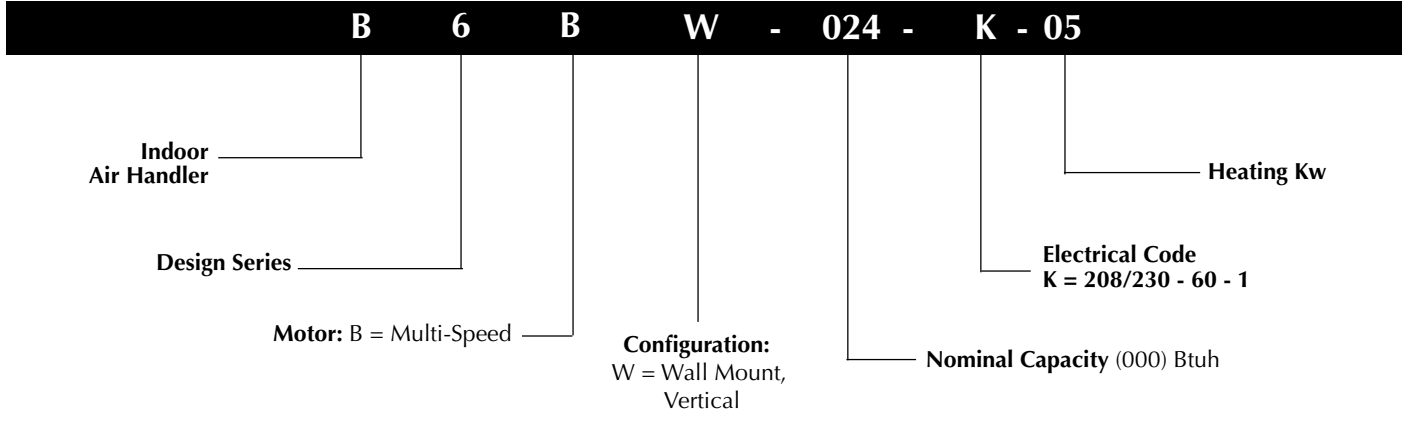
Model Number B6BW-	024-05		024-08		024-10	
Voltage	208	240	208	240	208	240
KW (nominal)	3.8	5	6	8	7.5	10
Minimum Circuit Ampacity (single circuit)	23.1	26.5	35.1	40.6	44.8	51.5
Maximum Over-Current Protection (single circuit)	25	30	40	45	45	55

Model Number B6BW-	030-05		030-08		030-10	
Voltage	208	240	208	240	208	240
KW (nominal)	3.8	5	6	8	7.5	10
Minimum Circuit Ampacity (single circuit)	23.2	26.6	35.2	40.8	44.9	51.6
Maximum Over-Current Protection (single circuit)	25	30	40	45	45	55

Model Number B6BW-	036-05		036-08		036-10	
Voltage	208	240	208	240	208	240
KW (nominal)	3.8	5	6	8	7.5	10
Minimum Circuit Ampacity (single circuit)	25.9	29.2	37.9	43.4	47.5	54.2
Maximum Over-Current Protection (single circuit)	30	30	40	45	50	60

<sup>1</sup> ESP estimate with wet coil and filter

# MODEL IDENTIFICATION CODE



## ACCESSORIES

- Decorative Louvered Panel - 903892 for 018/024
- Decorative Louvered Panel - 919583 for 030/036

Outdoor Unit Model Number	Indoor Unit + TDR	BTUH	SEER	EER	SCFM	Orifice Size Required
MSA4BD018KB	B6BW-018K	17200	13	11.0	600	0.048
MSA4BD024KB	B6BW-024K	22800	13	11.0	750	0.057
MSA4BD030KB	B6BW-030K	27600	13	11.0	950	0.060
MSA4BD036KB	B6BW-036K	34200	13	11.0	1100	0.067

NOTE: See Current AHRI Directory for certified combinations and ratings. [www.ahridirectory.org](http://www.ahridirectory.org)



**USA**  
DESIGNED &  
ASSEMBLED

We Encourage  
Professionalism  
  
Through Technician  
Certification by NATE



**MAYTAG**

Before purchasing this appliance, read important energy cost and efficiency information available from your retailer. Specifications and illustrations subject to change without notice and without incurring obligations.

Manufactured under license by Nortek Global HVAC LLC, O'Fallon, MO. ®Registered Trademark/™ Trademark of Maytag Corporation or its related companies. ©Nortek Global HVAC LLC 2015. All rights reserved.

704D-0411

Printed in U.S.A. (04/11)