

## Accessory Kit

# Installation Instructions

## B2 Air Handler "A" Coil Conversion

### **! WARNING:**

To avoid the risk of electric shock, personal injury or death, disconnect all electrical power to the unit before performing any maintenance or service. The unit may have more than one electrical power supply.

### **! WARNING:**

Improper installation may damage equipment, can create a hazard, and will void the warranty.

### **! WARNING:**

Use caution when removing parts from this unit. Personal injury can result from sharp metal edges present in all equipment of sheet metal construction.

### **! CAUTION:**

Make sure all doors are installed before restoring power to the unit.

### INSTALLATION SEQUENCE

1. Reclaim refrigerant from system.
2. Remove doors and filter access.
3. Using gloves, firmly grasp the back of the cabinet tie and lift upwards to free the side tracks (See Figure 1).
4. Remove the side tracks. Grasp the front of the tracks, swing them toward the middle and pull to remove.
5. Drill out rivets or toggle locks to remove rear track.
6. Using a pair of tin snips, notch the front right flange of the cabinet tie. The notch should be 1/2 inch wide and the depth of the 1/4 flange (See Figure 2).
7. Attach new rear track using screws or rivets.
8. Push ends of new side tracks into rear track and swing outwards to meet sides of unit.
9. Bend the front cabinet tie down to anchor the side tracks.
10. Slide the new A-Coil into the newly installed tracks and complete the installation per the coil installation instructions.

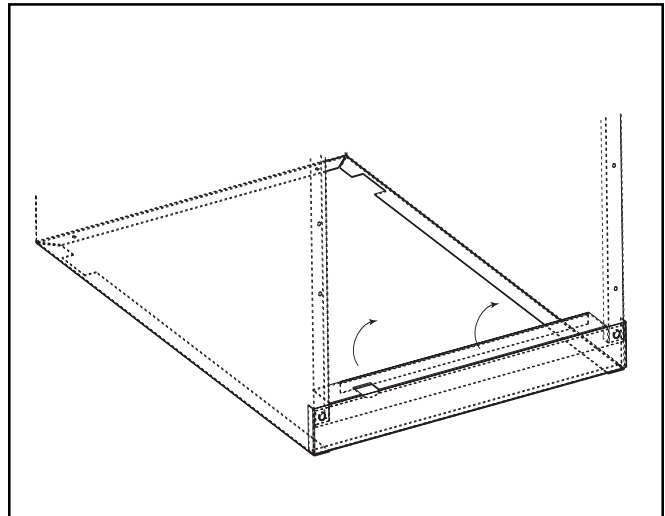


Figure 1. Lift back of cabinet tie

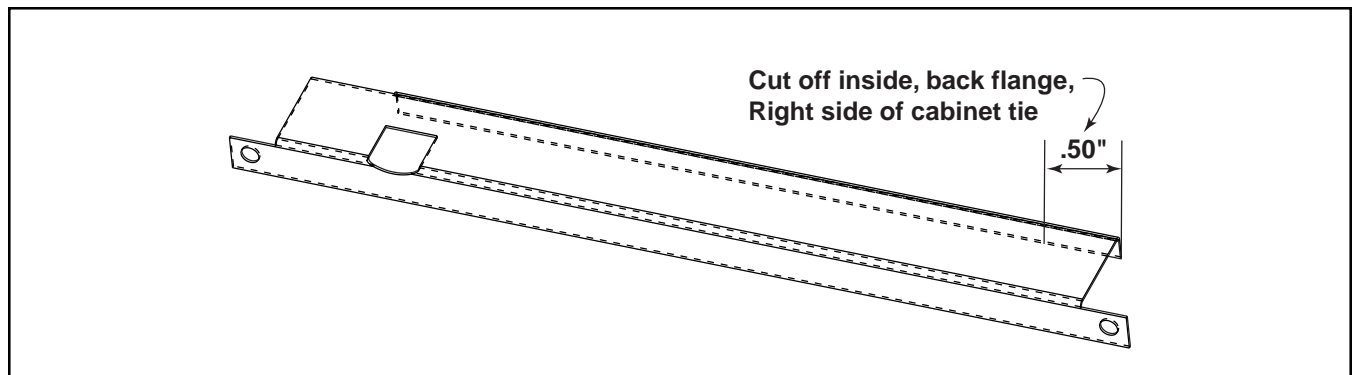


Figure 2. Notch right flange

7078520

