

# Transformer Kit

## INSTALLATION INSTRUCTIONS

Kit #910910-

### INTRODUCTION

These instructions are primarily intended to assist qualified individuals experienced in the proper installation of this appliance. Some local codes require licensed installation/service personnel for this type of equipment. Read all instructions carefully before starting the installation.

This transformer kit is designed for installation in NORDYNE central air conditioner condenser sections. The transformer provides a 24 VAC/30 VA Class 2 power supply for the air conditioning control circuit. It is intended for use where a two transformer control circuit is required.

### INSTALLATION SEQUENCE

#### CAUTION:

**The power supply to the condenser unit must be off before proceeding with the installation of this transformer kit.**

1. Mount the transformer in the condenser section control box..
2. Wire the leads per the wiring diagrams provided below. For units with an anti-short cycle timer, use Figure 1. For units without an anti-short cycle timer, use Figure 2.
3. Refer to the installation instructions for low voltage thermostat control circuit wiring schematic.

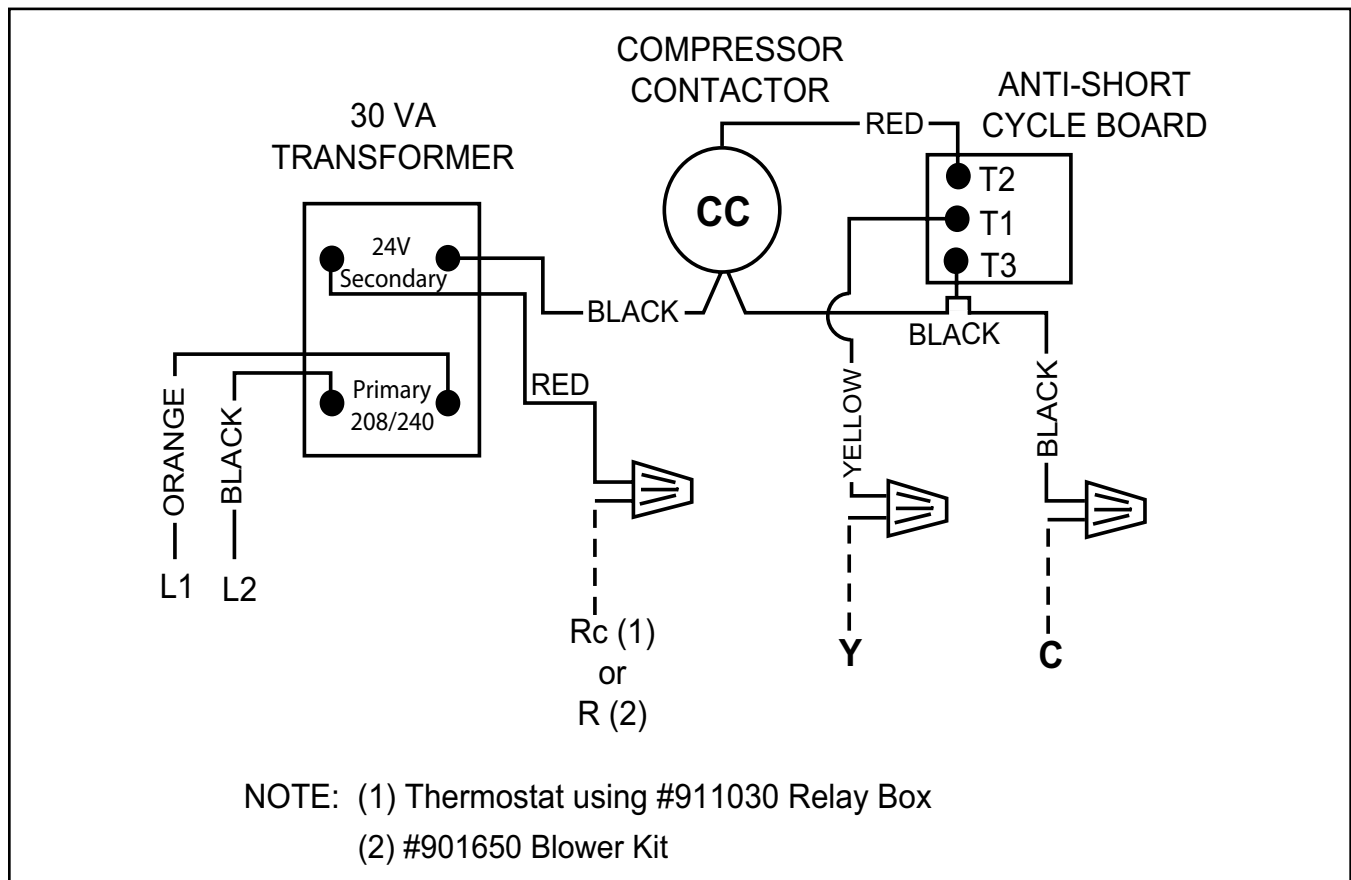
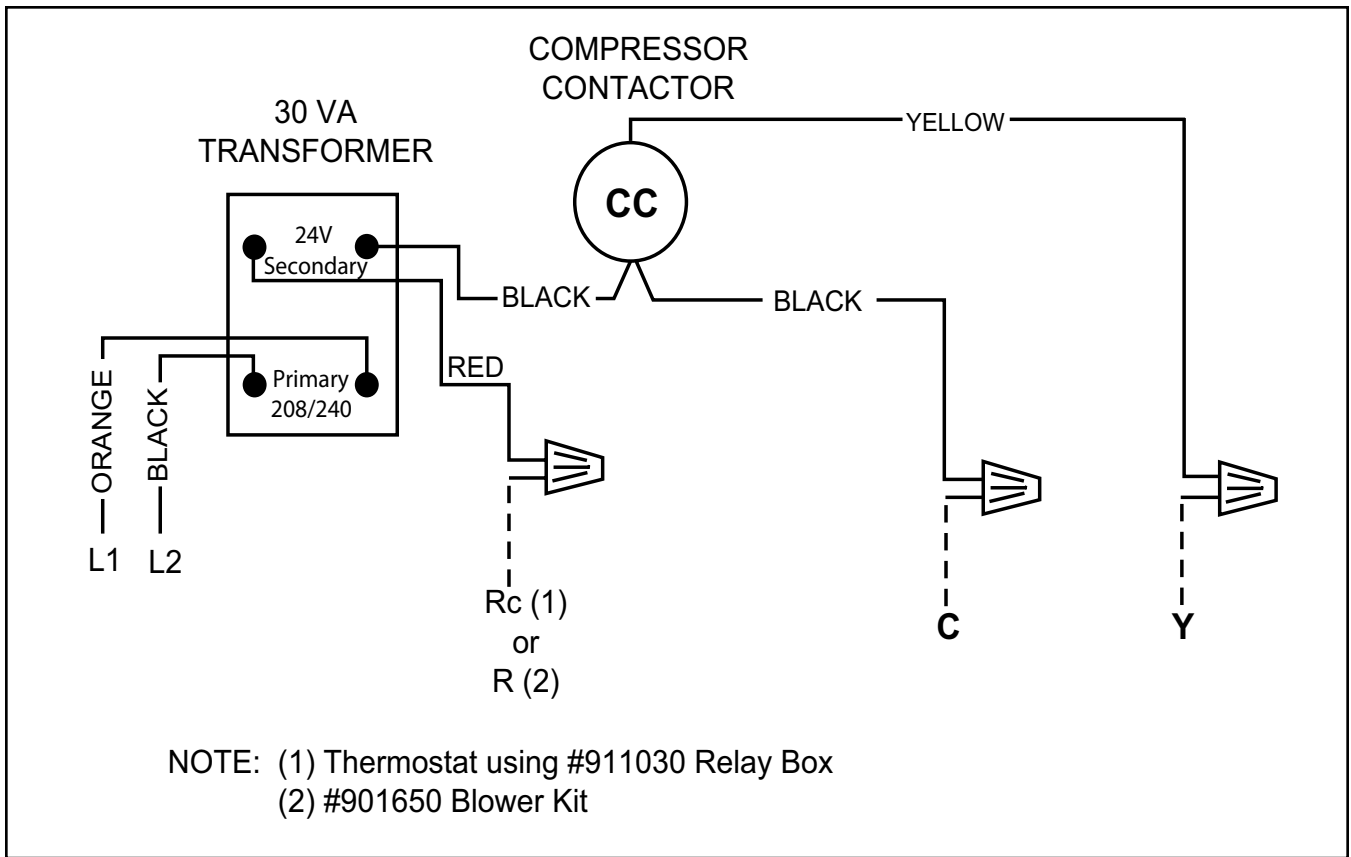


Figure 1. Wiring Diagram for Units With an Anti-Short Cycle Timer



**Figure 2. Wiring Diagram for Units Without an Anti-Short Cycle Timer**

