

Inducer Replacement Kit

Installation Instructions

For G-Series 90+ Furnace Models

WARNING:

Replacement of the inducer must be performed by a qualified service agency. Improper installation, alteration, service, or maintenance can cause injury or property damage.

FOR YOUR SAFETY

WHAT TO DO IF YOU SMELL GAS

- Do not try to operate any appliance.
- Do not touch any electrical switch; do not use any phone in your building.
- Immediately call your gas supplier from a neighbor's phone. Follow the gas supplier's instructions.
- If you cannot reach your gas supplier, call the fire department.
- Extinguish any open flame.

Read these installation instructions in their entirety before proceeding with the inducer replacement.

Before Starting the Replacement

When replacing the inducer on G3RC models, the condensate drain kit (P/N 903750) and in-line drain assembly (P/N 663714) are also required.

Turning Off the Electricity to the Appliance

1. Set the thermostat to the OFF position or to its lowest setting.
2. Turn off all electrical power to the appliance.

Replacing the Inducer Assembly

1. Loosen the two hose clamps on the rubber sleeve connecting the inducer to the vent pipe (See Figure 1).
2. Remove the three hex bolts which hold the inducer housing to the plastic collector box.
3. Remove the inducer.
4. Refer to table for the plastic orifice selection. Place plastic orifice into the opening of the new inducer.
5. Mount the replacement inducer on the furnace. The bolts should be tight and the inducer should not be capable of moving. DO NOT OVERTIGHTEN, this could result in damage to the inducer.
6. Adjust the rubber sleeve over the inducer exit and tighten the two hose clamps.

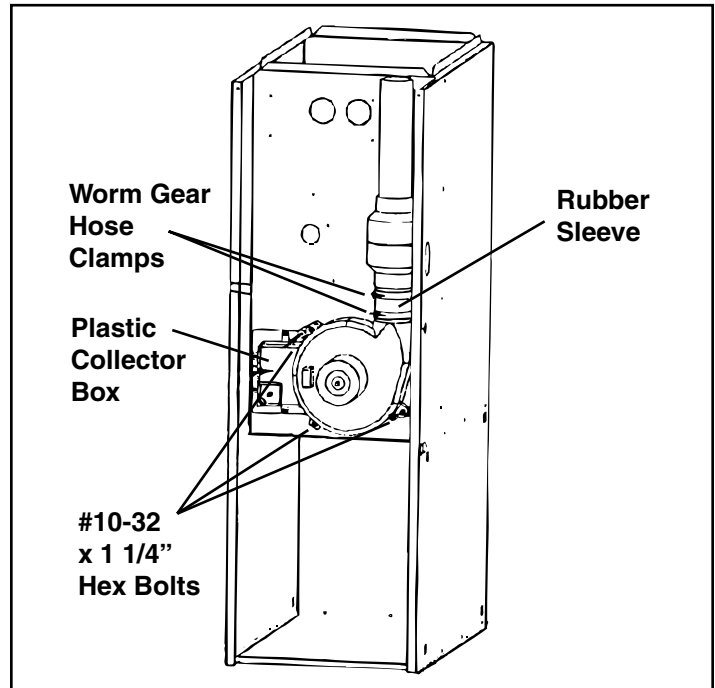


Figure 1.

Model	Input (MBTUH)	Orifice Size (inches)
*G6RC	40	1.25
*G6RL	40	
*G6RD	40	
*G6RC	60	
*G6RD	60	
*G6RD	80	1.50
*G6RL	60	
*G6RD	100	
*G6RL	120	
*G6RD	120	
*G6RC	80	NONE
*G6RL	80	
*G6RC	100	
*G6RL	100	
*G6RC	120	

* Model descriptions may be prefixed with an alphanumeric character

NOTE: In some cases, the plastic orifice's legs may not allow it to fully seat in the inducer's hole. If this is the case, gently bend the legs inward to relieve the tension between the orifice and the inducer. This will allow the orifice to sit flush against the back of the inducer.

Check the Operation of the Appliance

1. Follow the Start up Procedure as outlined in the G Series installation instructions. Start the furnace to ensure correct pressure switch operation. If the furnace does not fire and a 2 blink code is given by the control board, the inducer bolts require further tightening. Tighten the bolts and restart the furnace.

