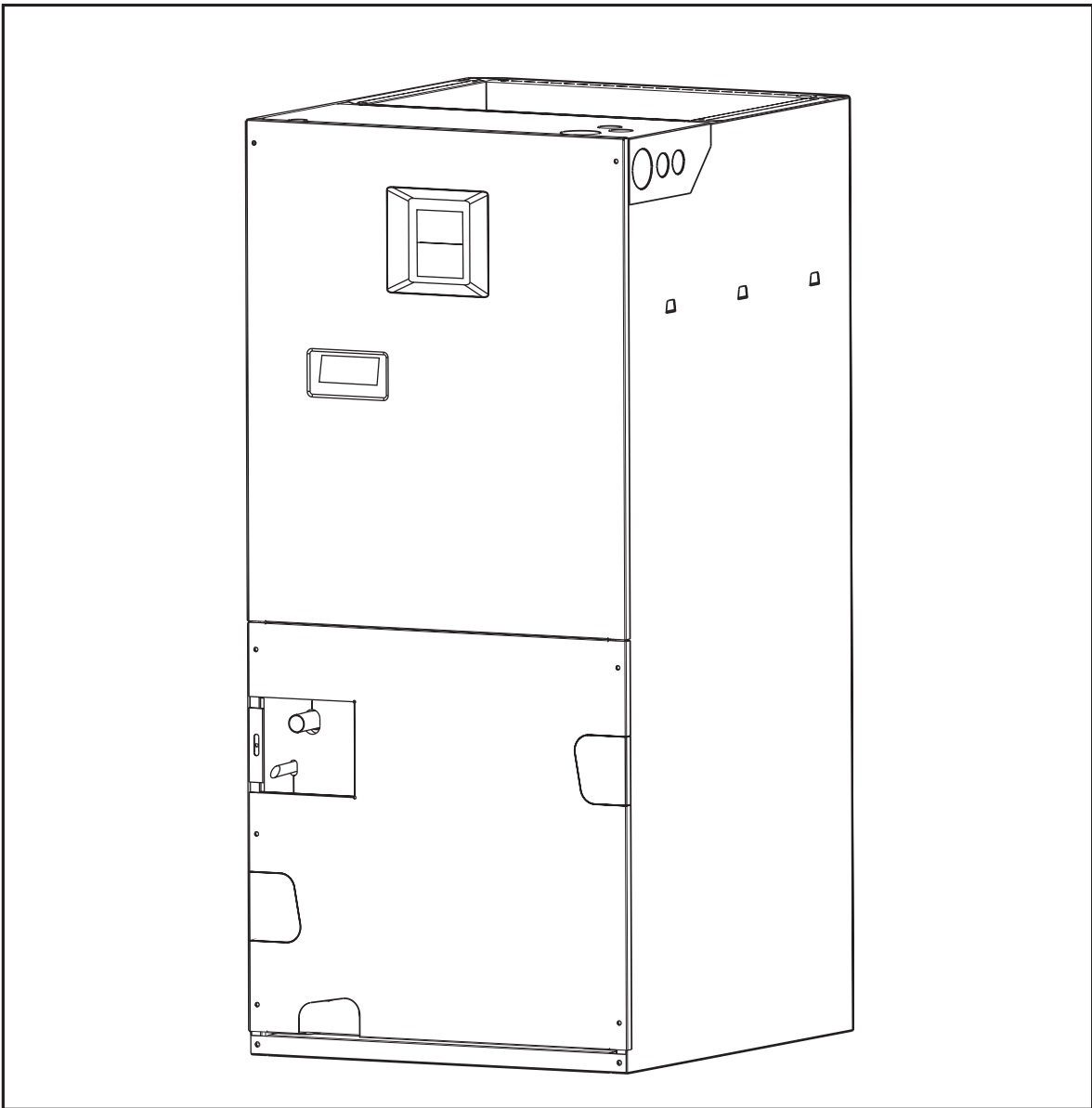


Installation Instructions

Indoor Air Handlers



These instructions are primarily intended to assist qualified individuals experienced in the proper installation of heating and/or air conditioning appliances. Some local codes require licensed installation/service personnel for this type equipment. All installations must be in accordance with these instructions and with all applicable national and local codes and standards.

Before beginning the installation, read these instructions thoroughly and follow all warnings and cautions in the instructions and on the unit. When performing brazing operations have a fire extinguisher readily available and use a quenching cloth and brazing shield.

Improper installation, service, adjustment, or maintenance can cause fire, electrical shock or other conditions which may result in personal injury or property damage. Unless otherwise noted in these instructions, only factory authorized kits or accessories may be used when modifying this product.

Table of Contents

1. Air Handler Specifications	4-5
Unit Dimensions	4
2. Installation Requirements	5
Minimum Ampacity and Maximum Overcurrent Protection	5
3. Air Ducts, Filters, Horizontal Applications	6
4. Refrigerant Tubing Connections	9
5. Electrical Wiring	11
6. Start-up and Adjustment	12
7. Optional Humidistat (Variable Speed Only)	14
8. Optional Bonnet Control Switch (Variable Speed Only)	15
9. Care and Maintenance	15

1. AIR HANDLER SPECIFICATIONS

Indoor Air Handlers are designed and approved for attic, basement, alcove, closet and crawl space installations.

Factory ready horizontal Air Handlers may be applied in upflow or horizontal-left and -right discharge applications. These units may also be applied in downflow discharge when applied with the appropriate field kit (See Technical Specifications).

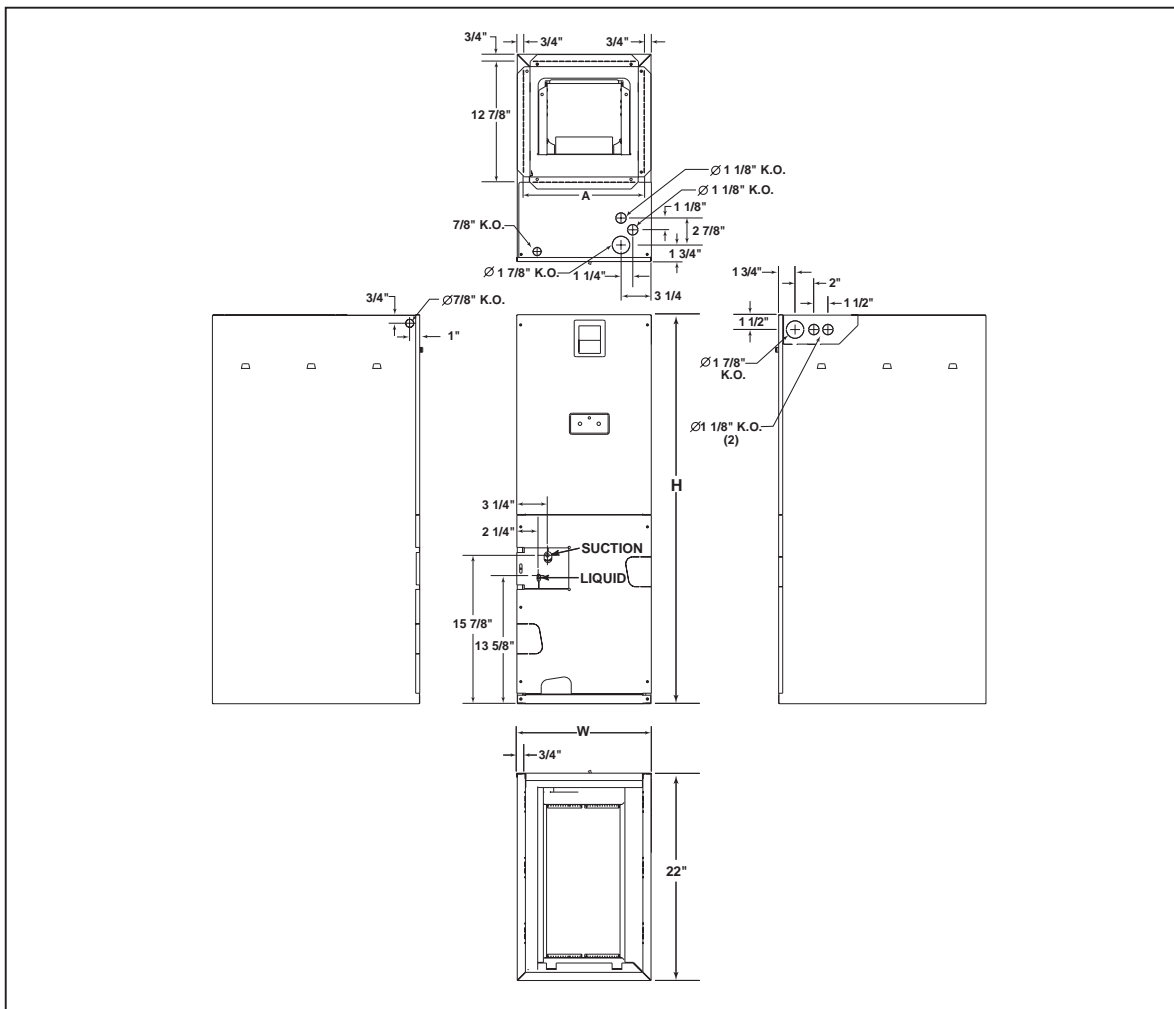
Vertical only Air Handlers are factory ready for upflow applications. These units may be applied in downflow or horizontal left and right

discharge applications when applied with the appropriate field kit (See Technical Specifications).

Dimensional drawing for the unit is shown in Figure 1.

Field-installed electric heater kits are available. Available heater kits for these units are listed in the Technical Specifications. Instructions for installing the electric heaters are included with the heaters.

"B" and "C" cabinet units equipped with standard blowers may be upgraded to variable speed with the addition of a variable speed



Cabinet Size	H	W	A
A	41-5/16	14-3/16	12-3/4
B	43-5/16	19-11/16	18-1/4
C	43-5/16	22-7/16	21
Tall C	53-5/16	22-7/16	21

Figure 1. Unit Dimensions

conversion kit. See Technical Specifications for details.

Air handlers set up with 15 kw or more of electric heat will normally be configured for dual-circuit power supply. They may, however, be connected to a single-circuit power supply with the addition of the single circuit accessory kit (See Technical Specifications). Select the wire size and over-current protection in accordance with the minimum circuit ampacity and maximum over-current protection shown in Table 1.

2. INSTALLATION REQUIREMENTS

Check Equipment — All installations shall be made as described in these installation instructions and in accordance with all applicable national and local codes including the requirements of local utilities.

Requirements and Codes — Electrical power wiring must be made in accordance with all applicable local codes and ordinances, and with the current revision of the National Electric Code (ANSI/NFPA 70). Air ducts must be installed in accordance with the standards of the National Fire Protection Association “Standard for Installation of Air Conditioning and

Ventilation Systems” (NFPA 90A), “Standard for Installation of Residence Type Warm Air Heating and Air Conditioning Systems” (NFPA 90B), these instructions, and all applicable local codes.

National Fire Protection Association, Inc.
 Batterymarch Park
 Quincy, Maine 02269
 www.nfpa.org
 (617) 770-3000

Location — To insure proper condensate drainage, the unit must be installed in a level position within 1/4 inch over the height, width, and depth of the unit. The best system performance will be obtained if the unit is located in a centralized position with respect to the air distribution system.

When an air handler is installed in or above a living space, the installation of an auxiliary drain pan under the entire unit is required to reduce the possibility of property damage.

All servicing and cleaning of the air handler can be done from the front. Adequate horizontal clearances should be provided to allow for

These wiring requirements are for units with optional heater kits. They can not be used with 115 volt units.

	Aux. Heat Installed (Nom. KW)	Single Circuit			Dual Circuit							
		Min.*** Circuit Amp.	Wire AWG 75°C*	Maximum Over-current Rating	Circuit A				Circuit B			
					Min.*** Circuit Amp.	Wire AWG 60°C*	Wire AWG 75°C*	Maximum Over-current Rating	Min.*** Circuit Amp.	Wire AWG 60°C*	Wire AWG 75°C*	Maximum Over-current Rating
240 VAC, 60 & 50 Hz Single Phase	none	5.0	14	15	5.0	14	14	15	-	-	-	-
	005H	30.0	10	30	30.0	10	10	30	-	-	-	-
	008H	44.1	8	50	44.1	6	8	50	-	-	-	-
	010H	55.0	6	60	55.0	6	6	60	-	-	-	-
	012H	65.4	4	70	65.4	8	8	40	30.2	8	8	40
	015H	80.0	4	90	55.0	6	6	60	25.0	10	12	30
	020H	105.0	2	125	55.0	6	6	60	50.0	4	8	50
	025H	119.6	1	125	59.2	4	6	60	60.0	4	6	60
208 VAC, 60 Hz Single Phase	none	5.0	14	15	5.0	14	14	15	-	-	-	-
	005H	26.6	10	30	26.6	10	10	30	-	-	-	-
	008H	38.7	8 (6**)	40	38.7	8	8 (6**)	40	-	-	-	-
	010H	48.3	8	50	48.3	6	8	50	-	-	-	-
	012H	57.9	6	60	31.4	8	8	40	26.4	10	10	30
	015H	69.9	4	70	48.3	6	8	50	21.6	10	10	25
	020H	91.5	3	100	48.3	6	8	50	43.3	6	8	50
	025H	104.2	2	125	51.9	6	6	60	52.3	6	6	60

* All wire sizes for copper conductors only, based on NEC Table 310-16

**Required for C-cabinet variable speed.

***Circuit ampacity slightly higher for variable speed. See label on blower.

Table 1. Minimum Ampacity and Maximum Overcurrent Protection

service and care of the unit. A minimum 24 inch clearance at the front of the unit is recommended. These units are suitable for attic, closet, crawl space or alcove installation at zero clearance from combustibles.

Location of the Room Thermostat — The room thermostat should be mounted 4 to 5 feet above the floor, on an inside wall that has good air circulation from all areas being controlled by the thermostat. For optimum performance, it is essential that there be free circulation of air at the thermostat location. Air movement should not be obstructed by furniture, doors, draperies, etc. The thermostat should not be mounted where it will be affected by drafts, hot or cold water pipes or air ducts in walls, radiant heat from a fireplace, lamps, the sun, a TV, etc. Consult the instruction sheet packed with the thermostat for mounting instructions.

Condensate Drain — The condensate pan has primary and secondary drain connections. The connections have 3/4 inch female pipe threads.

All condensate drains should be a minimum of 3/4 inch PVC pipe or equivalent. The drain should maintain a minimum horizontal slope in the direction of discharge of not less than 1 inch vertical for every 10 feet of horizontal.

If the air handler is located in or above a living space where damage may result from condensate overflow, an auxiliary drain pan shall be installed under the unit. A separate drain line should extend from the pan to a conspicuous point and serve as an alarm which indicates that the primary drain is restricted. As an alternative to a separate drain line, an approved water level indicator or float switch device should be used to shut down the unit in the event water is detected in the auxiliary pan.

Install a 5 inch trap in the condensate drain line as close to the coil as possible. Make sure that the top of the trap is below the bottom of the drain pan to prevent the condensate from overflowing the drain pan. Prime the trap with water. Insulate the drain if it is located in an unconditioned space, and test the condensate line for leaks. Consult local codes for additional restrictions or precautions.

NOTE: There must be only one trap in the drain line. Using more than one trap may prevent drainage.



IMPORTANT:

The plastic drain pan must be level or slightly sloped toward the drain lines.

3. AIR DUCTS, FILTERS, HORIZONTAL APPLICATIONS

Air ducts should be installed in accordance with the standards of the National Fire Protection Association "Standard for Installation of Air Conditioning and Ventilation Systems" (NFPA 90A), "Standard for Installation of Residence Type Warm Air Heating and Air Conditioning Systems" (NFPA 90B), these instructions, and all applicable local codes.

Use transition fittings if the supply and/or return air openings of the unit do not match the duct openings. These transitions should be dimensioned in accordance with standard practice as specified in the ASHRAE recommendations for duct transitions.

Flexible connectors should be used between the unit and the ductwork to prevent transmission of vibration from the unit to the structure. If electric heater kits are installed, heat resistant material must be used for the flexible connector at the supply air end of the unit.

Air Filter Installation — The filter may be located in the return air duct system or installed into the air handler filter track located in the bottom of the unit.

To install the filter, remove the filter door. The filter sizes for the air handler cabinets are:

Cabinet	Filter
A	12 x 20 x 1
B	18 x 20 x 1
C	20 x 20 x 1



WARNING:

Never operate the unit without a filter or with the doors removed. Dust and lint in the return air can build up on internal components, resulting in a loss of efficiency, equipment damage, and possible fire risk.

Upflow Applications — All air handlers are factory shipped, ready for upflow configuration, all return air must enter from the bottom of the unit. A typical installation of the unit in a ducted return air mode is shown in Figure 2.

Downflow Applications — The downflow accessory kit (See Technical Specifications) is required for downflow applications. Instructions for installing the downflow accessory kit are included with the kit. It is recommended that the accessory be installed prior to installing the unit. All return air in downflow applications must enter through the top of the unit. A typical installation of the unit in a downflow application is shown in Figure 3.

NOTE: For 066 models, see addendum sheet when installing in horizontal, left or right.

Horizontal Left And Horizontal Right — Air handlers may or may not be shipped from the factory with all the parts required for horizontal left applications and horizontal right applications (see Figure 5). If your unit does not have parts for a horizontal application, a kit is available (see Technical Specifications).

To Configure Unit for Horizontal LEFT Installations:

- 1) Remove the coil access door.
- 2) Remove the front drain pan support bracket (if supplied).
- 3) Slide the coil and drain pan assembly out of the unit.
- 4) **IMPORTANT:** Remove the plug from one of the threaded holes in the horizontal drain pan. Completely remove the webbing located in the threaded holes of the horizontal drain pan. If webbing is not removed, the drain will not function properly and ceiling damage may occur.
- 5) Insert a plug (from the horizontal drain pan)

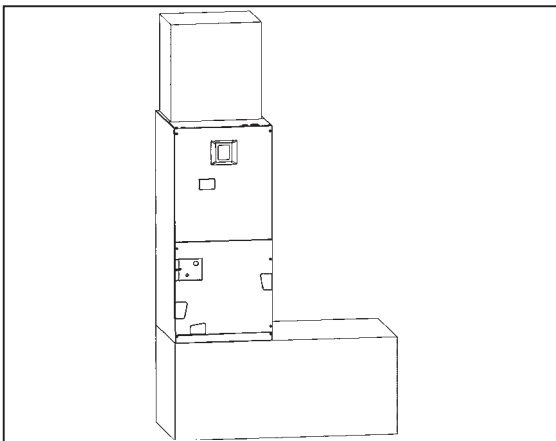


Figure 2. Upflow Installation

into the open and unused drain hole in the drain pan at the bottom of the unit to block bypass air.

- 6) Remove the corresponding drain line knockout from the coil access door to allow access to the horizontal drain.
- 7) Replace the door and attach the drain line.

To Configure Unit for Horizontal RIGHT Installations:

- 1) Remove the coil access door. Unscrew the line-set tube close-off plate from the front left cabinet rail.
- 2) Remove the front drain pan support bracket (if supplied).
- 3) Slide the coil and drain pan assembly out of the unit.
- 4) **IMPORTANT:** Remove the plug from one of the threaded holes in the horizontal drain pan. Completely remove the webbing located in the threaded holes of the drain pan. If webbing is not removed, the drain will not function properly and ceiling damage may occur.
- 5) Remove the sheet metal hairpin covers (if supplied) from the back of the coil and discard.
- 6) Place the horizontal drain pan on the opposite side of the coil. On units with 2 sets of knockouts, remove the other set of knockouts in the coil spacing plates and insert support rod.
- 7) Insert a plug (from the horizontal drain pan) into the open and unused drain hole in the drain pan at the bottom of the unit to block bypass air.
- 8) Slide the coil and the horizontal drain pan assembly back into the unit. Reattach the tube close off plate.
- 9) Remove the corresponding drain line knockout from the coil access door to allow access to the horizontal drain.
- 10) Replace the door and attach the drain line.

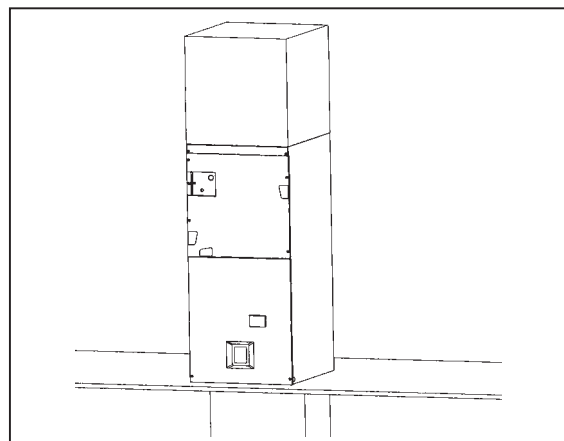


Figure 3. Downflow Installation

The unit may also be installed in a horizontal application with the unit suspended from the ceiling. A typical installation of the unit in a suspended horizontal application is shown in Figure 5.

The field-supplied hanger straps must be connected to the unit within 2 inches of the inlet end of the unit and within 4 inches of the outlet end of the unit as shown in Figure 5. If the straps pass in front of the unit, leave adequate room for removal of the doors and filter.

! CAUTION:

Make certain that the fasteners used to connect the hanger straps to the unit do not contact internal wiring or refrigerant tubes.

NOTE: In all horizontal applications in which the unit is installed above a finished ceiling and/or living space, a secondary drain pan must be installed under the entire unit to avoid damage to the ceiling in the event of condensate overflow.

Supply Air Ducts — Bend up the flanges on the top of the unit and connect the supply air duct over them. Secure the duct to the flange,

using appropriate fasteners for the type of duct used. Seal the joint between the duct and the unit to avoid air leakage and sweating. The supply air ductwork must be of noncombustible material for the first 24 inches from the unit.

Some installations with a short, straight run from the unit to the first branch takeoff may require acoustical lining inside the supply air ductwork. Acoustical insulation must be in accordance with the current revision of the Sheet Metal and Air Conditioning Contractors National Association (SMACNA) application standard for duct liners.

Duct lining material must be UL classified batts or blankets with a fire hazard classification of FHC-25/50 or less. Fiber ductwork may be used in place of internal duct liners if the fiber ductwork is in accordance with the current revision of the SMACNA construction standard on fibrous glass ducts.

Fibrous ductwork and internal acoustical lining must be NFPA Class I air ducts when tested per UL Standard 181 for Class 1 ducts.

Through-the-Floor Installations — Whenever the supply or return air ducts pass through the floor, a 1/4" thick noncombustible resilient gasket must be used between the duct, unit and floor.

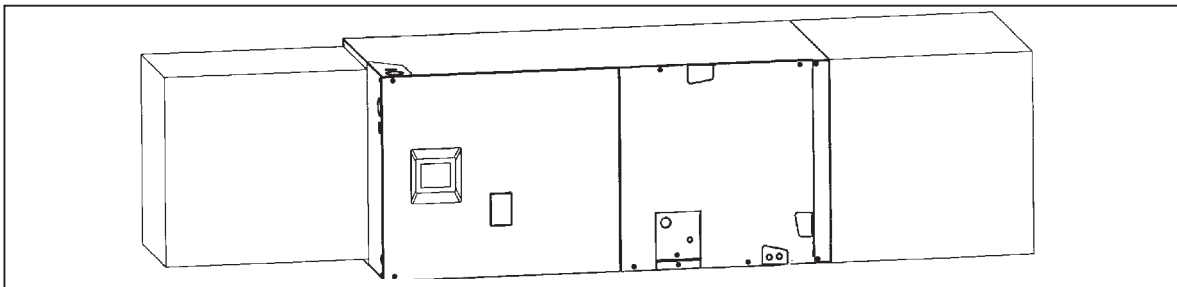


Figure 4. Horizontal-left Installation

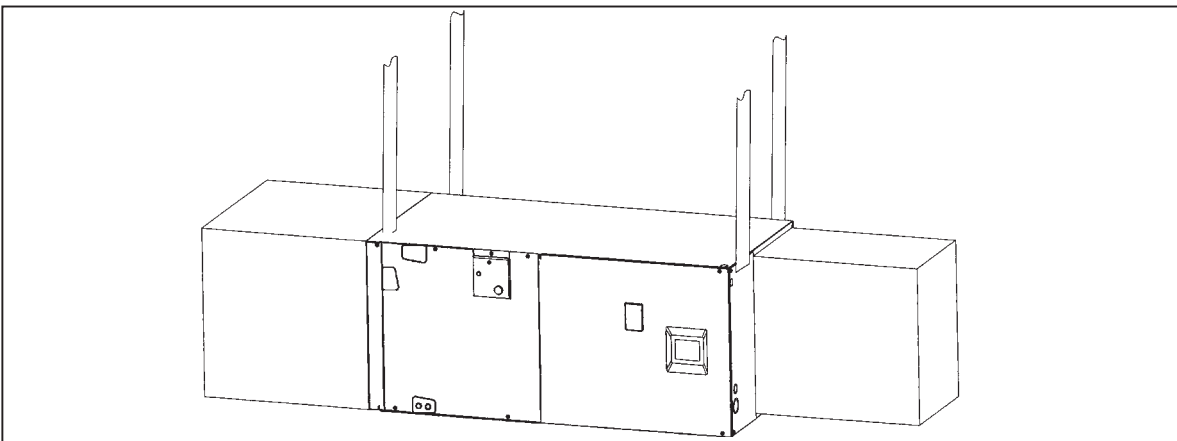


Figure 5. Horizontal-right Installation, Suspended from Ceiling

Ductwork in Unconditioned Spaces — All ductwork located in unconditioned space must be adequately insulated to prevent excess duct loss and condensation. All externally insulated ductwork must have an adequate vapor seal. Consult your Distributor for the recommended type and thickness of insulation for your area.

4. REFRIGERANT TUBING CONNECTIONS

Note: Do not remove seals from the coil until tubing connections are ready to be made. See the instructions packaged with the condensing unit for the correct procedure for connection of the refrigerant lines.

Note: The air handler coil does not contain a refrigerant charge. Reference installation instructions included with outdoor unit for information regarding the refrigerant charge included in the outdoor unit.

Note: The following instructions are for air handler models employing an orifice for the refrigerant metering device.

The orifice employed in the air handlers has been sized for use with the most popularly matched outdoor unit. The orifice size in the coil as shipped from the factory is listed on the air handler rating plate. Check that the orifice size provided with the air handler is correct for the outdoor unit being applied. If the orifice size is incorrect it should be replaced as follows:

1. Loosen the distributor body halves by applying two wrenches and squeezing them together as shown in Figure 6, to turn the assembly nut counterclockwise.
2. Continue to unscrew the assembly nut to separate it from the distributor body.
3. Insert a light-gauge wire hook between the distributor body and the orifice to lift the orifice out of the body (See Figure 7).

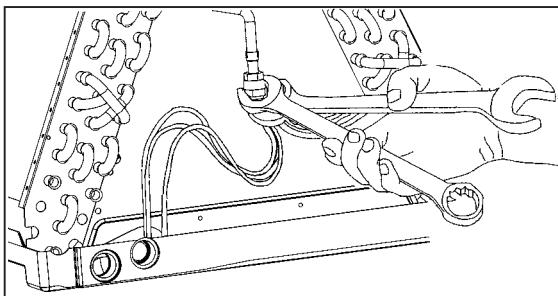


Figure 6. Wrenches on Distributor Body and Assembly Nut

4. Carefully remove the orifice being careful not to scratch either part.
5. Check the actual size of the new orifice (the size is stamped on the side of the orifice).
6. Insert the new orifice in the distributor body as shown in Figure 8.
7. After installing the orifice in the distributor body, re-attach the assembly nut to the distributor body and tighten it to 10-12 ft/lbs of torque. If no torque wrench is available, mark a line along both the nut and body after hand tightening and then tighten an additional 1/4 turn. The misalignment of the two lines will show how much the nut is tightened.
8. Check the assembly for leaks after refrigerant pressure is applied.

Note: When brazing the line set to the coil in units with TXV valves, wrap a wet rag around the TXV sensing bulb to protect it from overheating.

Note: On horizontal or downflow applications of models with the TXVs, to ensure proper performance, the sensing bulb must be repositioned so it is in the 4 o'clock to 8 o'clock position on the suction tube after final orientation of the air handler.

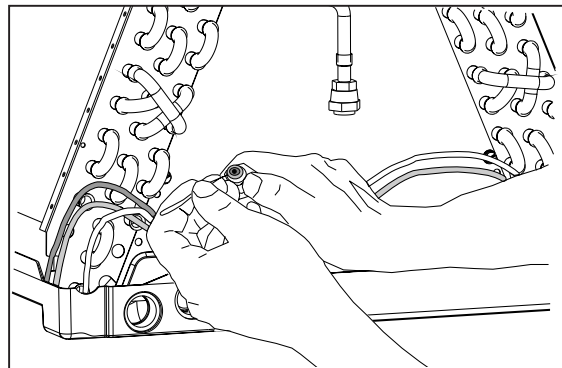


Figure 7. Removal of Orifice

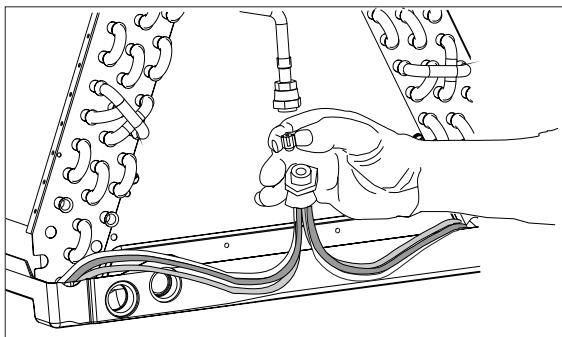


Figure 8. Orifice Insertion in Distributor Body

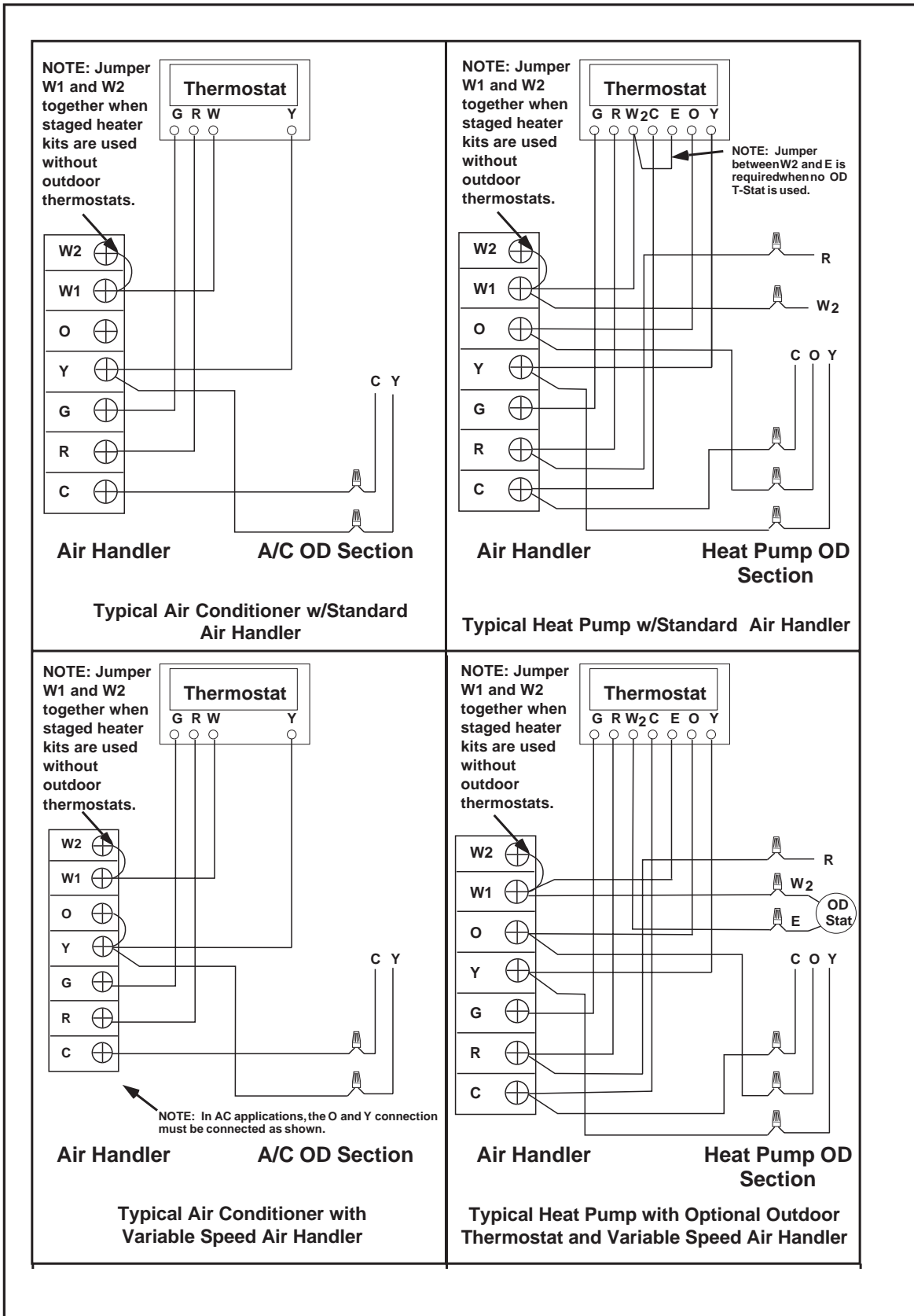


Figure 9. Typical Air Conditioning and Heat Pump System Connections

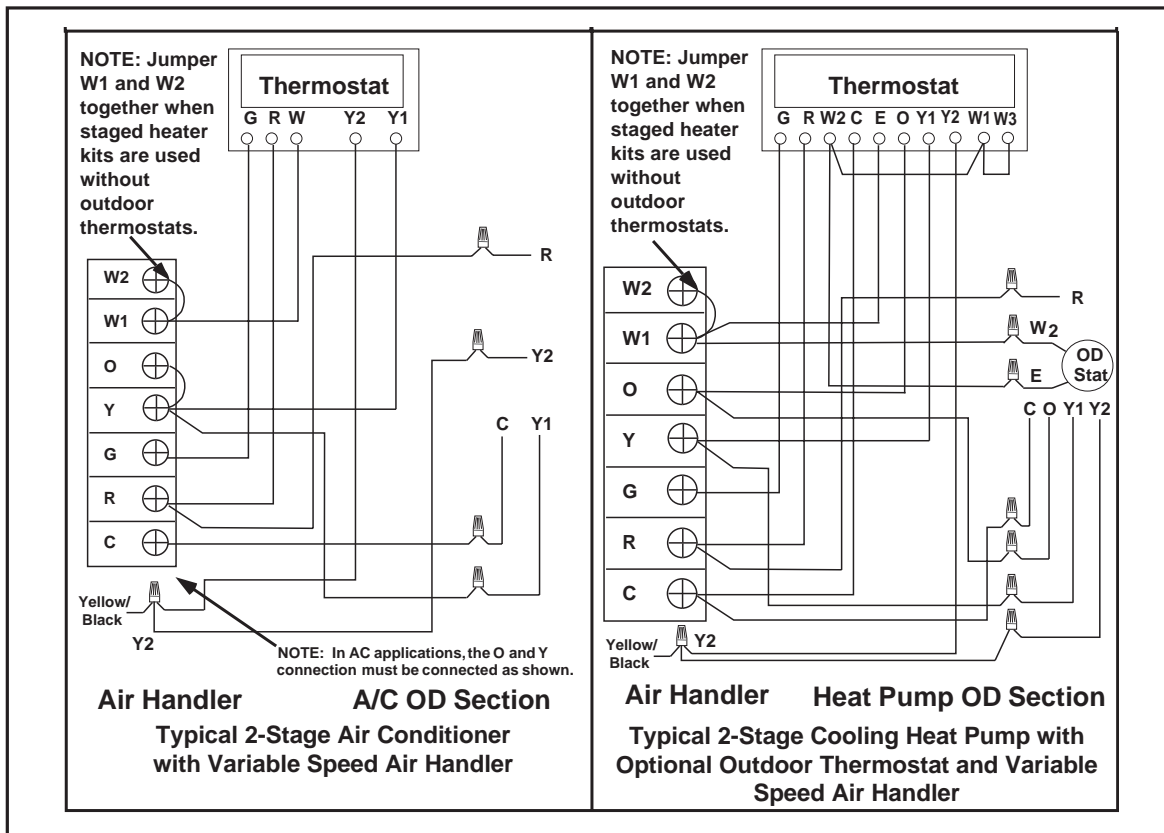


Figure 10. Typical 2-Stage Air Conditioning and 2-Stage Heat Pump System Connections

! WARNING:

To avoid the risk of electric shock, personal injury or death, disconnect all electrical power to the unit before performing any maintenance or service. The unit may have more than one electrical power supply.

5. ELECTRICAL WIRING

General — Electrical power wiring must be made in accordance with all applicable local codes and ordinances, and with the current revision of the National Electric Code (ANSI/NFPA 70). If any of the original wire as supplied with the unit must be replaced, it must be replaced with wire material having the same gauge and temperature rating.

Line Voltage — Before proceeding with the electrical connections, make certain that the voltage, frequency, and phase of the supply source are the same as those specified on the rating plate. Also, verify that the service provided by the utility is sufficient to handle the additional load imposed by this equipment.

See the unit wiring label for proper high and low voltage wiring. Make all electrical connections in accordance with the National Electric Code and any applicable local codes or ordinances.

Use a separate branch electrical circuit for this unit. A disconnecting means must be located within sight of, and readily accessible to, the unit. When electric heat packages with circuit breakers are field-installed, the circuit breaker may be used as a disconnecting means in most applications. Reference the NEC and Local Codes for Disconnect requirements.

208/240 volt units are shipped from the factory wired for 240 volt transformer operation. For 208 volt operation, remove the lead from the transformer terminal marked 240v and connect it to the terminal marked 208v. For maximum ampacity and overcurrent protection, see Table 1.

Provide power supply (or supplies) for the unit in accordance with Table 1, the unit wiring diagram and the unit rating plate. Connect the line-voltage leads to the corresponding pigtails (or marked terminals on the circuit breaker when the field installed circuit breaker kits are used) inside the control compartment. Replace the power plug with the heater kit plug when installing a heater

kit. Use copper wire only for the line voltage power supply to this unit. Aluminum supply wire may be used if a heater kit is installed. Use UL listed conduit and a conduit connector for connecting the supply wires to the unit and for obtaining proper grounding. Grounding may also be accomplished by using the grounding lug provided in the control box.

 **WARNING:**

The unit cabinet must have an uninterrupted and unbroken electrical ground to minimize the risk of personal injury if an electrical fault should occur. This ground may consist of electrical wire or approved conduit when installed in accordance with existing national or local codes.

Low Voltage — Install the grommet, which is packed with the unit, in the hole for low-voltage wires. When the low voltage wires are positioned in this grommet, the grommet will prevent chafing and/or shorting of the low voltage leads. Connect the low-voltage wiring to the thermostat and the outdoor unit and the appropriate screw terminal located on the control board.

NOTE: Where local codes require that the thermostat wiring must be routed through a conduit or raceway, splices can be made inside the unit; however, all wiring must be NEC Class 1 and must be separated from incoming power leads.

IMPORTANT! On variable speed models when the unit is used in an air conditioning system, connect the “O” terminal to the “Y” terminal. See Figure 9 & 10.

 **CAUTION:**

Isolation must be maintained from the external Class 2 output of any transformer in a cooling circuit. Use a thermostat with isolating contacts to prevent inter-connection of Class 2 outputs.

Check all factory wiring per the unit wiring diagram and inspect the factory wiring connections to be sure none were loosened in transit or installation.

 **CAUTION:**

Make sure all doors are installed before restoring power to the unit.

6. START-UP AND ADJUSTMENT

General — Prior to start-up, verify that:

1. The line voltage power leads are securely connected and that the unit is properly grounded.
2. The low voltage wires are securely connected to the correct leads from the unit.
3. The upper and lower doors are in place and securely connected to the unit.

NOTE: The control board is programmed with a 40 second off delay in the cooling mode for optimum system performance and efficiency.

Selecting Proper Blower Speed for Multi-Speed Units — The blower speed is preset at the factory for operation at the same speed for heating and cooling, by using the blower motor jumpering terminal on the blower motor and connecting it to the desired speed with both the red and black wires connected to the jumpering terminal. For optimum system performance and comfort, it may be necessary to change the factory set speed. To change the blower speed, disconnect all electrical power to the unit and remove the upper door. Remove the black and red wires from the blower motor jumpering terminal. Discard the blower motor jumpering terminal.

Connect the heating speed wire (red) and the cooling speed wire (black) to the desired blower speed marked on the terminal block of the blower motor. Terminal 4 = Hi speed, terminal 5 = Med speed and terminal 6 = Low speed.

Replace the upper door and secure it to the unit. Restore power to the unit.

Selecting continuous low speed fan operation (Standard Blower) — The air handler is equipped with the option of continuous low

speed fan operation. To select this option, break the tab located on top of the control board marked "BREAK FOR LOW SPEED CONT FAN". When the tab is broken and G is energized without Y, the air handler will operate using the heating speed. With the tab broken and G & Y or Y is energized, the air handler will operate in the selected cooling speed (including 40 sec blower-off delay).

NOTE: To achieve continuous low speed fan operation Y must be connected at the air handler.

Selecting Proper Airflow for Variable Speed Units

— Variable speed air handlers are equipped with a microprocessor-controlled variable speed motor that is pre-programmed to deliver optimum airflow in a variety of conditions and system configurations. Before operation, the air handler must be configured to match the unit with the system, system options, and climatic conditions. Once configured, the air handler responds directly to the thermostat inputs, as well as the optional humidistat (Section 7) and bonnet switch (Section 8) (if installed). During normal operation, the motor will gradually change speeds during start-up, shut down, when thermostat inputs change, and when the duct static pressure changes (vents closed or opened, filter clogging, etc.). The air handler is configured by setting the selector switches and removing jumper connectors as directed below. **IMPORTANT! This air handler has been designed to give the installer maximum flexibility to optimize system performance, efficiency, and comfort. Because there are so many different ways to set up the air handler it is important to read and follow these directions carefully.**

Determining Nominal System Capacity—

In order to select the appropriate airflows for the air handler the nominal system capacity must be known. The nominal system capacity is always the nominal capacity of the outdoor unit. In some cases the nominal system capacity is not the same as the nominal capacity of the air handler. Always refer to the nominal capacity of the outdoor unit to determine the nominal system capacity.

Selecting the Basic Cooling/Heat Pump Airflow—

The basic cooling/heat-pump airflow is selected by setting switches 1 through 4 on the thermostat input board located on the

blower. All airflows for other modes of operation (except electric heat) are determined by this basic setting.

Table 2 shows the basic airflow values versus the airflow selector switch settings. Table 2 also shows the range of basic air flow settings recommended for each nominal system capacity.

Note: The 15+ SEER variable speed air handlers that are matched with a 2-stage cooling outdoor unit, are programmed to operate at 75% of the selected airflow while the system is in the lo-cool mode and 100% of the selected airflow while in hi-cool mode.

NOTE: The CFM values listed in the tables are not dependent on duct static pressure. The motor automatically compensates for changes in duct static pressure (within the limits of the motor).

For maximum capacity and energy efficiency, select an airflow at or near the top of the range for that nominal capacity. For maximum dehumidification, select an airflow near the middle or bottom of the range for that nominal capacity. Additional information on humidity control can be found in the sections labeled "Humidistat" and "Delay Setting".

NOTE: If coil icing is observed, the basic cooling/heat-pump airflow selected may be too low. Double-check to be sure the setting selected is within the range shown in Table 2. Also check to be sure the system is properly charged (see outdoor unit Installation Instructions). If icing continues to occur, raise the selected airflow one or two steps.

When operating in the heat pump mode, a higher basic airflow setting will increase the energy efficiency and capacity but will also decrease the supply air temperature. The optional Bonnet Control Switch may be added to increase the supply air temperature in the heat-pump mode when the supply air temperature is below a comfortable level. For more details see the section labeled "Bonnet Control Switch".

Selecting the Minimum Electric Heat Airflow—

The minimum electric heat airflow is selected by setting switches 5 and 6. Selecting the minimum electric heat airflow sets the minimum air flow that will be produced whenever

Basic Air-Flow Setting																			
B-Cabinet										C-Cabinet									
CFM	Switch Number				Nominal Capacity						CFM	Switch Number				Nominal Capacity			
	1	2	3	4	1.5	2.0	2.5	3.0	3.5	4.0		1	2	3	4	3.0	3.5	4.0	5.0
720	0	0	0	1							1075	0	0	0	1				
800	0	0	0	0							1140	1	0	0	1				
860	1	0	0	1							1225	0	0	0	0				
885	0	0	1	0							1300	1	0	0	0				
960	1	0	0	0							1380	0	0	1	0				
1060	1	0	1	0							1465	1	0	1	0				
1125	0	1	0	1							1555	0	1	0	1				
1185	1	1	0	1							1665	1	1	0	1				
1250	0	1	0	0							1775	0	1	0	0				
1315	1	1	0	0							1900	1	1	0	0				
1375	0	1	1	0							2000	0	1	1	0				
1450	1	1	1	0							2150	1	1	1	0				

Note: 1=ON, 0=OFF

Table 2. Air Flow Selection for Variable Speed Models

electric heater kits are used. When the electric heater kits are energized along with a heat pump, the airflow may be higher depending on the basic cooling/heat-pump airflow setting.

Reference Table 3 for recommended minimum electric heat airflow settings. The minimum electric heat airflow setting may be set higher, but must never be set lower than the setting shown in Table 3.

Selecting the Delay Profile— The delay profile is selected by setting switches 7 and 8 (see Table 4). Delay profile selection controls the start-up and shut-down characteristics of the air handler. By varying the start-up and shut-down characteristics of the air handler the system can be optimized for energy efficiency, humidity control, and comfort.

Select “Delay A” or “Delay B” for highest energy efficiency. “Delay A” has a two-step “on” delay. The blower will begin operation at 31% airflow

for 30 seconds. The second step operation is 75% airflow for 30 seconds. After the two-step “on” delay has been completed, the blower operation will be 100% until the thermostat has been satisfied. “Delay A” also provides a 60 second “off” delay at 50% airflow.

“Delay B” has a single step 30 second “on” delay at 50% airflow. “Delay B” also provides a 90 second “off” delay at 50% airflow. Select the delay profile which is most suited to the application.

The “De-Hum.” delay profile may be used when humidity control is desired without the use of the optional humidistat. If the “De-Hum.” delay profile is selected, the air handler will run at 75% airflow for the first 10 minutes of each cooling cycle. If the “De-Hum.” delay profile is selected, the basic cooling/heat-pump speed should be selected at or near the top of the range for that nominal capacity (see Table 2).

Nominal KW	CFM	Switch Number							
		1	2	3	4	5	6	7	8
0-5	700					0	0		
6-10	800					1	0		
11-15	950					0	1		
16-20	1100					1	1		

Note: 0=Off, 1=On

Table 3. Minimum Electric Heat Airflow (all models)

Delay Description	Switch Number							
	1	2	3	4	5	6	7	8
Delay A							0	0
Delay B							0	1
No Delay							1	0
De-Hum.							1	1

Note: 0=Off, 1=On

Table 4. Delay Settings (all models)

7. OPTIONAL HUMIDISTAT (Variable Speed Only)

The optional humidistat may be installed in the return air duct to provide excellent humidity control when needed and maximum system capacity and energy efficiency when humidity levels are normal. The humidistat senses when humidity in the return air stream is above a preset level (field adjustable) and sends a signal to the motor to reduce the airflow so that more moisture may be removed until the humidity level drops. The air handler is pre-programmed for humidistat operation. Remove jumper connector installed between the two terminals marked "HUM" on the circuit board.

Note: The 15+ SEER air handlers that are matched with a 2-stage cooling outdoor unit and the humidistat is installed will not drop below 75% of the selected blower speed when the system is operating in lo-cool mode and the humidistat opens.

Installation— Install the humidistat in the return air duct as directed in the installation instructions included with the kit. Wire the humidistat through the low-voltage wire entrance in the air handler (Figure 1) to the quick-connect terminals marked "HUM". Wire the humidistat to open on rise in humidity.

8. OPTIONAL BONNET CONTROL SWITCH (Variable Speed Only)

The optional bonnet control switch is recommended in variable speed heat-pump systems where supply air temperatures may drop below a comfortable level during normal operation. The bonnet control switch senses when the supply air temperature is below a preset comfort level (set by installer) and sends a signal to the motor to reduce the airflow. The supply air temperature increases when the airflow is reduced. Airflow will resume to normal levels if electric strip heat is energized. The air handler is pre-programmed to accept bonnet switch inputs. Remove jumper connector installed between "B1" and "B2" on the circuit board. The bonnet switch will not affect the cooling cycle.

Installation— Install the bonnet control switch in the supply air duct as directed in the installation instructions included with kit. Locate the bulb close to the unit, but not within the sight of the heating elements. Wire the bonnet control switch to the circuit board and through the low-voltage wire entrance in the air handler, and remove

jumper connector between "B1" and "B2" wire switch to close on temperature rise typically R & W. Set the thermostat as desired near 105°F.

9. CARE AND MAINTENANCE

General — For continued high performance, and to minimize the risk of equipment failure, it is essential that periodic maintenance be performed on this equipment. The ability to properly perform maintenance on this equipment requires certain mechanical skills and tools. If you do not possess these skills, contact your dealer for maintenance. Consult your local dealer as to the availability of a maintenance contract.

Do not store any of the following on, or in contact with, the unit: Rags, brooms, vacuum cleaners, or other cleaning tools, spray or aerosol cans, soap powders, bleaches, waxes, cleaning compounds, plastics or plastic containers, paper bags or other paper products, gasoline, kerosene, cigarette lighter fluid, dry cleaning fluids, paint thinners, or other volatile fluids.

Proper maintenance is most important to achieve the best performance from an air handler. At a minimum, this maintenance should include the following items.

1. Inspect and clean or replace the air filter at the beginning of each heating and cooling season, or more frequently as required.
2. Inspect the cooling coil, drain pan, and condensate drain at the beginning of each cooling season for cleanliness. Clean these components as necessary using a mild detergent and water. Flush the coil, drain pan, and condensate drain after cleaning to remove all detergent. Use caution when cleaning these components so that the insulation does not become wet.
3. Inspect the blower motor and wheel for cleanliness at the beginning of each heating and cooling season. Clean the motor as necessary.
4. Inspect electrical connections for tightness at the beginning of each heating and cooling season. Service as necessary.



WARNING:

Use caution when removing parts from this unit. Personal injury can result from sharp metal edges present in all equipment of sheet metal construction.

**INSTALLER: PLEASE LEAVE THESE
INSTALLATION INSTRUCTIONS
WITH THE HOMEOWNER**



708274B (Replaces 708274A)

Specifications and illustrations subject to change
without notice and without incurring obligations.
Printed in U.S.A. (08/04)