

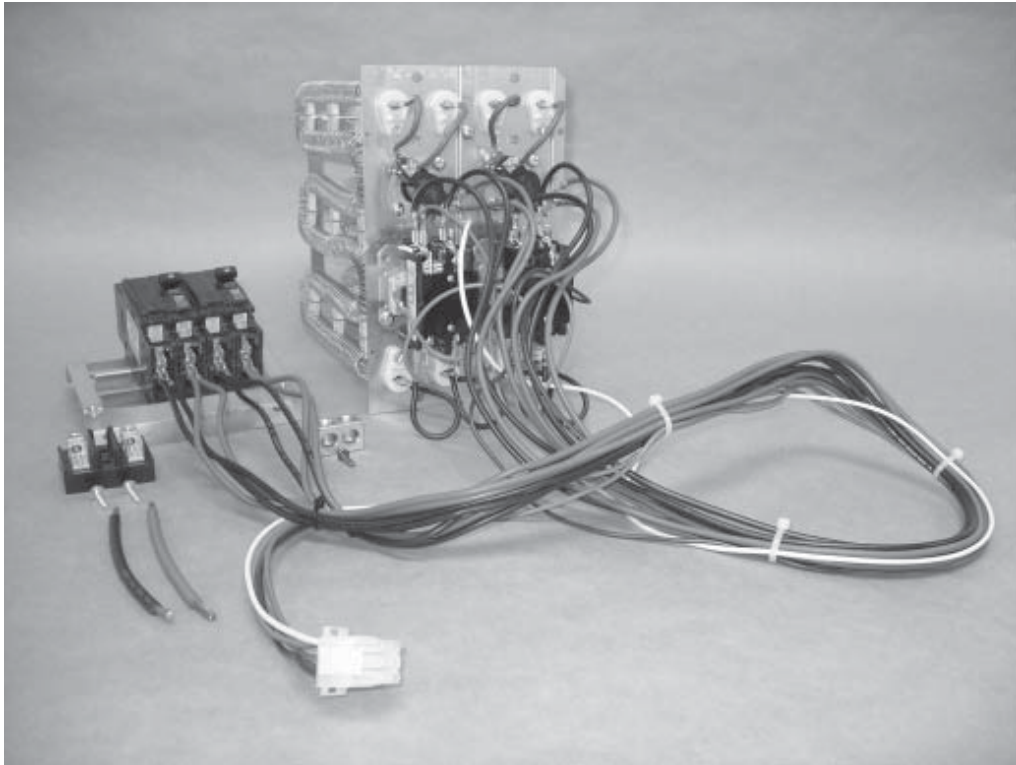
H3HK Series

Installation Instructions

Package Electric Heater Kits

Description

Installation of 208/240V and 460V H3HK Heater Kits in Packaged Air Conditioners and Packaged Heat Pumps.



These instructions are primarily intended to assist qualified individuals experienced in the proper installation of heating and/or air conditioning appliances. Some local codes require licensed installation/service personnel for this type equipment. All installations must be in accordance with these instructions and with all applicable national and local codes and standards.

Read these instructions thoroughly before starting the installation. Follow all precautions and warnings contained within these instructions and on the unit.

GENERAL INFORMATION

The H3HK Heater Kits are approved for use in the Packaged Air Conditioners and Packaged Heat Pumps when applied and installed according to these instructions. See Table 3 or Table 4 for the approved H3HK air conditioner

combinations and the approved H3HK heat pump combinations. Refer to the National Electric Code (ANSI/NFPA 70) or in Canada the Canadian Electric Code Part 1 (CSA C.22.1) and applicable local codes for overcurrent protection and disconnect requirements.

ELECTRICAL SUPPLY

WARNING:

To avoid the risk of electric shock, personal injury, or death, disconnect all electrical power to the unit before performing any maintenance or service. The unit may have more than one power supply.

If the unit was previously installed without electric heat, the existing supply wiring may not be sufficient to handle the increased load. See the unit rating label or Tables 5 thru 8 for minimum circuit ampacities and maximum overcurrent protection ratings. The units with installed electric heat may be supplied by a single circuit or by multiple circuits. Additional accessory kits may be required if single circuit installation and/or circuit breakers are desired. See Table 1 for accessory descriptions and part numbers.

Installation

Remove the control box access panel. Locate the 9 pin (12 pin for 3 phase kits) heater plug assembly and remove the jumper cap. Discard the jumper cap; it will not be used after installing the heater kits.

Description	Order Number
208/240v 1 Phase Heater Kits	
H3HK005H-01A, 5kw, 1-Stage Heater Kit	917166B
H3HK008H-01A, 8kw, 1-Stage Heater Kit	917167B
H3HK010H-01A, 10kw, 1-Stage Heater Kit	917168B
H3HK015H-01A, 15kw, 1-Stage Heater Kit	917169B
H3HK015H-21A, 15kw, 1-Stage Heater Kit	917172B
H3HK020H-01A, 20kw, 1-Stage Heater Kit	917170B
H3HK020H-21A, 20kw, 1-Stage Heater Kit	917173B
208/240v 3 Phase Heater Kits	
H3HK-009Q-01A, 9kw, Heater Kit	903854B
H3HK-015Q-01A, 15kw, Heater Kit	903855B
460v 3 Phase Heater Kits	
H3HK-009S-01A, 9kw, Heater Kit	903850B
H3HK-015S-01A, 15kw, Heater Kit	903851B

Accessories:

4-Pole Single Circuit Adaptor*	913350
6-Pole Single Circuit Adaptor*	913556
Circuit Breaker, Single Phase (2-Pole)	913554
Circuit Breaker, Three Phase (3-Pole)	913740

*Single Phase Models Only

Table 1. Accessories

Circuit Options — The units with electric heat may be wired for single or multiple circuits and may have circuit breakers or terminal blocks.

Note: Circuit breakers installed in the unit are for short-circuit protection of the internal wiring and to serve as a unit disconnect. The circuit breakers **DO NOT** provide overcurrent protection of the supply wiring.

Whether or not circuit breakers are used in the units, overcurrent protection must be provided at the branch circuit distribution panel and sized as shown in Tables 5 thru 8 or on the unit rating label and according to the National Electric Code, Canadian Electrical Code and applicable local codes. In most cases the overcurrent protection specified on the unit rating label is less than the 60 amp rating of the circuit breakers used in the units. This is because the function of the overcurrent protection required at the distribution panel (field supplied) and the unit mounted breakers is different.

When circuit breakers are used they must be used on all circuits. Refer to Table 3 or Table 4 for the correct number of circuit breakers to install. See Table 1 for the correct circuit breaker for the application.

If the number of circuits as shown in Table 3 or Table 4 is more than one, circuit breakers are required. If single circuit supply wiring is desired, use the 4-pole single circuit adaptor kit (P/N 913350) when two 2-pole circuit breakers are used and the 6-pole single circuit adaptor kit (P/N 913556) when three 2-pole circuit breakers are used. The single circuit adaptor kits are not applicable to three phase units.

If circuit breakers are not being used, proceed to the Terminal Block section.

Circuit Breakers — If circuit breakers are used for any circuit, they must be used for all circuits. Use one breaker for each circuit as shown in Table 3.

Breaker Attachment — Install the circuit breaker mounting rail to the control panel with the 4 blunt tip screws provided.

Attaching to Bracket — Attach the circuit breakers in the unit by hooking the bottom in the base of the circuit breaker onto the left rail of the bracket and rotating to the right. The circuit breaker should snap into place. Install the breakers so that the “ON” position is at the right.

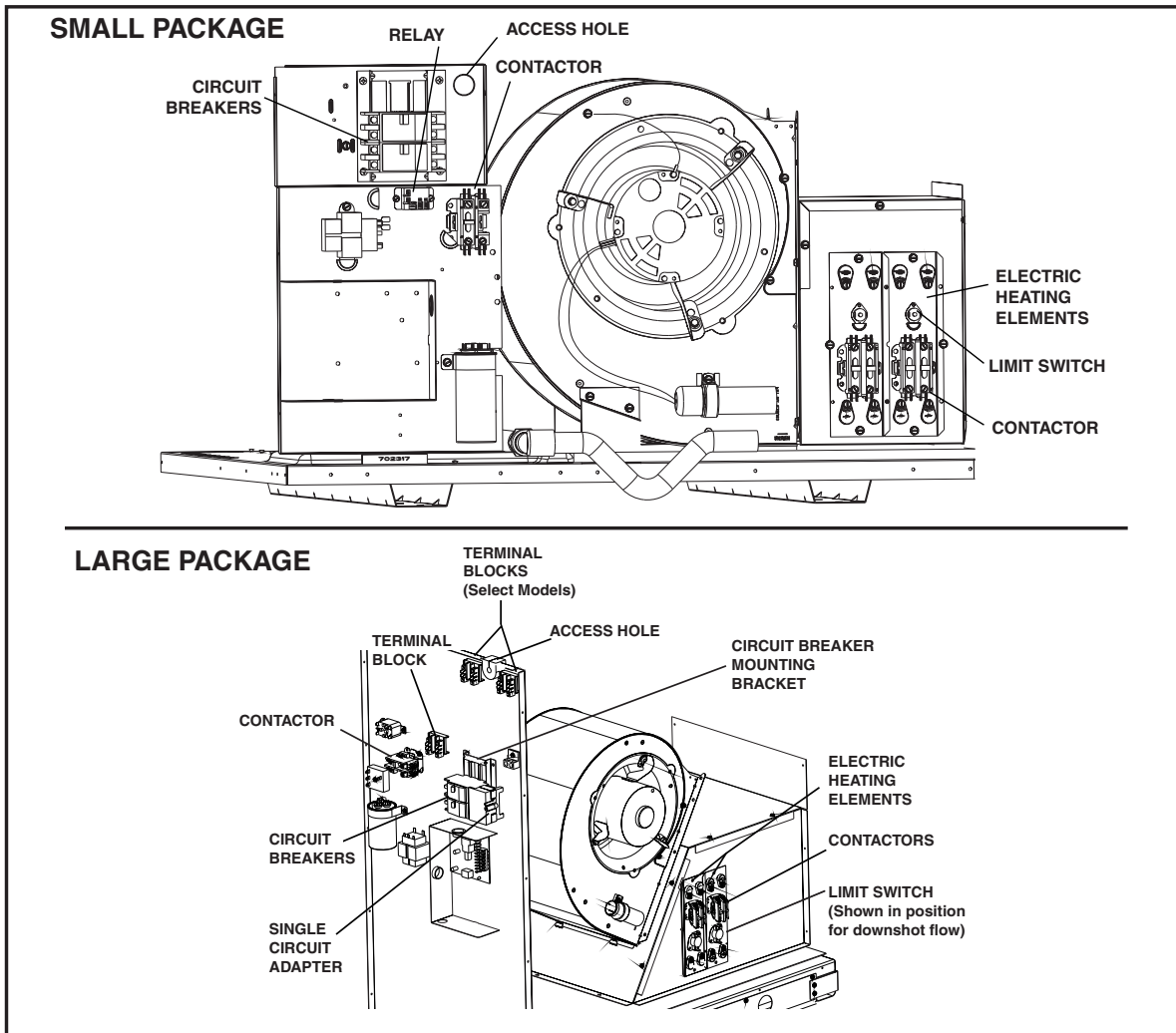


Figure 1. Location of Major Components

Breaker Removal — Insert a screwdriver into the hole in the release tab and pull out while rotating the breaker out and to the left. The white release tab is located at the base of the breaker under the line side (right) terminals.

Single Circuit Kit (single phase only) — Refer to the instructions included with the single circuit adapter kit for details on how to configure the adapter. Install the adapter as shown in the instructions in the line side (right) of the breakers. Proceed to the Element Installation section.

Terminal Blocks — Approved H3HK heater kits are shipped with a terminal block for small package units. For large package units the terminal block(s) supplied with the kits will not be used. The electric heater kits will be wired to the existing factory installed terminal block. If the number of circuits indicated in Table 3 or Table 4 is two or three, then the circuit breakers must be used; see the Circuit Breaker section.

Element Installation — Remove the blower access panel. Remove the heater close-off plate(s) in the electric heat panel. When installing single banks of heaters, position them closest to the blower.

Install the heater kit in the opening with the limit control towards the top of the unit if the unit is using the side supply and return duct openings. If the unit is using the downshot supply and return openings, install the heater kit in the opening with the limit towards the bottom of the unit. Make sure that the element support rod is inserted into the support bracket. Refer to Figure 2. Fasten the heater with the same screws used to secure the close-off plates.

Staged Heat — To stage the heat on the 15 kw or 20 kw Heater Kits the factory set wiring will need to be modified. The orange wire in Pin 2 on the Heat Accessory Plug will be re-routed. See the *Typical AC (or HP) Thermostat Connection* figure in the HP or AC Installation Instructions.

! WARNING:

Rooftop applications with vertical ducts must have an elbow installed in the supply duct so that the elements are not directly over a supply grille.

! WARNING:

The heater will not function properly if the elements are not correctly installed.

ELEMENT POWER WIRING

Route the main power leads (heavy black and red wires) and the 9 or 12-pin heat plug through the access hole at the top of the control panel to the circuit breaker or terminal block. Connect the 9 or 12-pin heat kit plug to the heat accessory plug located in the control box. Refer to the detailed wiring diagrams for connections. Make sure that the connections are secure. Select large package units have additional terminal blocks installed. The power leads from the heater kit should be attached to these terminal blocks. Wires needed to connect from terminal blocks to circuit breakers should be field supplied. The 6 inch leads are provided with the heater kit to connect the circuit breaker(s) to the compressor contactor.

Mark the appropriate box on the unit rating plate with an "X" to indicate which heater kit has been installed.

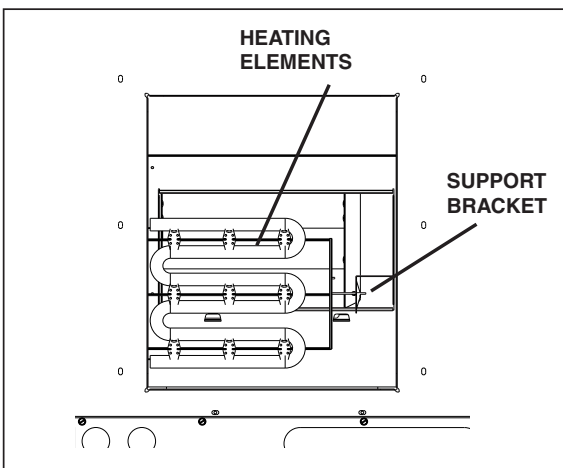


Figure 2. Element Support Bracket

! IMPORTANT:

Torque the circuit breaker lugs to 45 in-lbs.

AIRFLOW

The maximum external static pressure (ESP) for the units are listed in Table 2.

The unit is factory shipped with a jumper wire between the heating speed contacts and the cooling speed contacts on the blower relay. If the heating/cooling speed desired is the preset speed, then no modifications are required. If a different heating/cooling speed is desired, remove the blower lead attached to terminal #4 on the relay (leave the jumper wire in place). Cut the wire tie retaining the unused motor speed taps and connect the desired motor tap to terminal #4 on the relay. Refer to Figure 3 for the motor lead color coding. For 460V units, refer to the wiring diagram on the blower motor to select a different blower speed.

If a heating speed different from the cooling speed is desired, remove and discard the jumper wire from the blower relay. Cut the wire tie holding the unused speed taps. Connect the desired heating speed tap to pin #6 and the desired cooling speed tap on pin #4 of the blower relay, 208/230V units only. For 460V units only, one fan speed is obtainable for both heating and cooling. It is recommended that the fan be set for high speed operation when using electric auxiliary heat.

! WARNING:

After making any changes to the blower speed setting, be sure to bundle and insulate any unused speed taps so that they will not contact with cabinet or any uninsulated live parts.

CLEARANCE

All units are approved for zero clearance to combustibles when installed according to these instructions and other instructions included with the unit and other approved accessories.

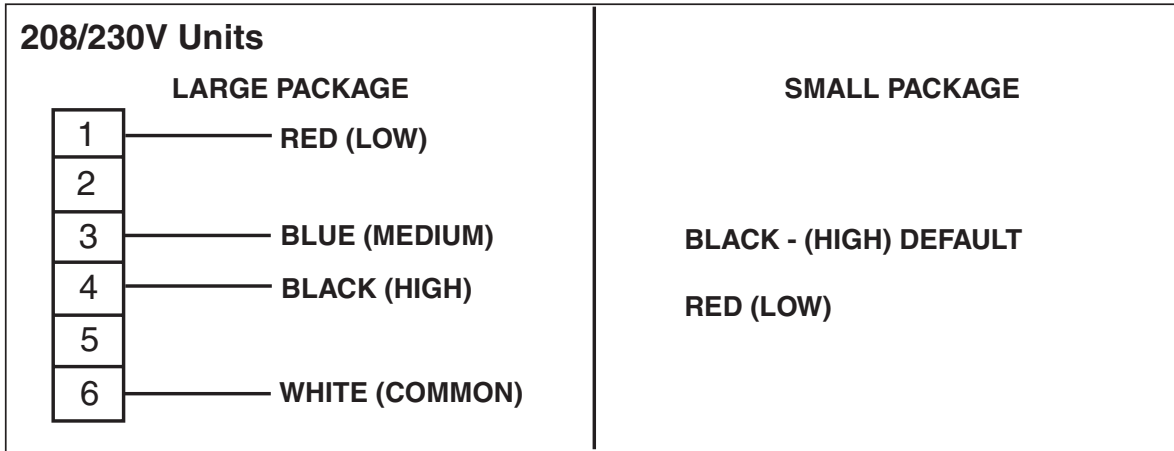


Figure 3. Blower Motor Speed Tap Color Code

Single Phase							Three Phase			
Unit	Blower Speed	5kW	8kW	10kW	15kW	20kW	Unit	Blower Speed	9kW	15kW
2.5 & 3 Ton 10 & 12 SEER	Low	0.3	0.3	0.3	0.3	-	3 Ton 10 SEER	Low	0.3	0.3
	Medium	0.3	0.3	0.3	0.3	-		Medium	0.3	0.3
	High	0.5	0.5	0.5	0.5	-		High	0.5	0.5
3.5 & 4 Ton 10 & 12 SEER	Low	0.3	0.3	0.3	0.3	0.3	4 Ton 10 SEER	Low	0.3	0.3
	Medium	0.3	0.3	0.3	0.3	0.3		Medium	0.3	0.3
	High	0.5	0.5	0.5	0.5	0.5		High	0.5	0.5
5 Ton 10 & 12 SEER	Low	0.3	0.3	0.3	0.3	0.3	5 Ton 10 SEER	Low	0.3	0.3
	Medium	0.3	0.3	0.3	0.3	0.3		Medium	0.3	0.3
	High	0.5	0.5	0.5	0.5	0.5		High	0.5	0.5

LARGE PACKAGE

Unit	Blower Speed	5kW	8kW	10kW	15kW	20kW
2 Ton 10 & 12 SEER	Low	0.3	0.3	0.3	0.3	0.3
	High	0.3	0.3	0.3	0.3	0.3
2-1/2 Ton 10 & 12 SEER	Low	0.3	0.3	0.3	0.3	0.3
	High	0.3	0.3	0.3	0.3	0.3
3 Ton 10 & 12 SEER	Low	0.3	0.3	0.3	0.3	0.3
	High	0.3	0.3	0.3	0.3	0.3
3-1/2 Ton 10 & 12 SEER	Low	0.3	0.3	0.3	0.3	0.3
	High	0.3	0.3	0.3	0.3	0.3
4 Ton 10 & 12 SEER	Low	0.3	0.3	0.3	0.3	0.3
	High	0.3	0.3	0.3	0.3	0.3
5 Ton 10 & 12 SEER	Low	0.3	0.3	0.3	0.3	0.3
	High	0.3	0.3	0.3	0.3	0.3

SMALL PACKAGE

Table 2. Maximum External Static Pressure (ESP)

	Unit	Nominal kW	Heater Kit Model	Heater Kit Part Number	Circuits	Breakers	Wiring Diagram Number
Large Package A/C	3 Ton 10 & 12 SEER 1 Phase	5	H3HK005H-01B	917166B	1	None	1
		8	H3HK008H-01B	917167B	1	None	1
		10	H3HK010H-01B	917168B	1	None	1
		15	H3HK015H-01B	917169B	2	2	3
	4 Ton 10 & 12 SEER 1 Phase	5	H3HK005H-01B	917166B	1	None	1
		8	H3HK008H-01B	917167B	1	None	1
		10	H3HK010H-01B	917168B	1	None	1
		15	H3HK015H-01B	917169B	2	2	3
		20	H3HK020H-01B	917170B	2	2	6
	5 Ton 10 & 12 SEER 1 Phase	5	H3HK005H-01B	917166B	1	None	1
		8	H3HK008H-01B	917167B	1	None	1
		10	H3HK010H-01B	917168B	1	None	1
		15	H3HK015H-01B	917169B	2	2	3
		20	H3HK020H-01B	917170B	2	2	7
	3, 4, & 5 Ton 10 SEER 208/230V 3 Phase	9	H3HK009Q-01B	903854B	1 or 2	None or 2	8 or 9
		15	H3HK015Q-01B	903855B	1 or 2	None or 2	8 or 9
	5 Ton 12 SEER 208/230V 3 Phase	9	H3HK-009Q-01B	903854B	1	None	8
		15	H3HK-015Q-01B	903855B	1	None	8
	3, 4, & 5 Ton 10 SEER 460V 3 Phase	9	H3HK-009S-01B	903850B	1 or 2	None or 2	10 or 11
		15	H3HK-015S-01B	903851B	1 or 2	None or 2	10 or 11
Large Package H/P	2.5 & 3 Ton 10 & 12 SEER 1 Phase	5	H3HK005H-01B	917166B	1	None	1
		8	H3HK008H-01B	917167B	1	None	2
		10	H3HK010H-01B	917168B	2	2	2
		15	H3HK015H-01B	917169B	2	2	4
	3.5 & 4 Ton 10 & 12 SEER 1 Phase	5	H3HK005H-01B	917166B	2	2	2
		8	H3HK008H-01B	917167B	2	2	2
		10	H3HK010H-01B	917168B	2	2	2
		15	H3HK015H-01B	917169B	3	3	5
		20	H3HK020H-01B	917170B	3	3	7
	5 Ton 10 & 12 SEER 1 Phase	5	H3HK005H-01B	917166B	2	2	2
		8	H3HK008H-01B	917167B	2	2	2
		10	H3HK010H-01B	917168B	2	2	2
		15	H3HK015H-01B	917169B	3	3	5
		20	H3HK-020H-01B	917170B	3	3	7
	2.5, 3, 3.5, 4, & 5 Ton 10 SEER 208/230V 3 Phase	9	H3HK-009Q-01B	903854B	1 or 2	None or 2	8 or 9
		15	H3HK-015Q-01B	903855B	2	2	9
	3, 4, & 5 Ton 10 SEER 460V 3 Phase	9	H3HK-009S-01B	903850B	1 or 2	None or 2	10 or 11
		15	H3HK-015S-01B	903851B	1 or 2	None or 2	10 or 11

Table 3. Large Package Applications

	Unit	Nominal kW	Heater Kit Model	Heater Kit Part Number	Circuits	Breakers	Wiring Diagram Number
Small Package A/C	2.0 Ton 10 & 12 SEER 1 phase	5	H3HK005H-01B	917166B	1	None	1
		8	H3HK008H-01B	917167B	1	None	1
		10	H3HK010H-01B	916768B	1	None	1
	2.5 Ton 10 & 12 SEER 1 phase	5	H3HK005H-01B	917166A	1	None	1
		8	H3HK008H-01B	917167B	1	None	1
		10	H3HK010H-01B	916768B	1	None	1
		15	H3HK015H-01B	917169B	2	2	3
	3.0 Ton 10 & 12 SEER 1 phase	5	H3HK005H-01B	917166B	1	None	1
		8	H3HK008H-01B	917167B	1	None	1
		10	H3HK010H-01B	916768B	1	None	1
		15	H3HK015H-01B	917169B	2	2	3
	3.5 Ton 10 & 12 SEER 1 phase	5	H3HK005H-01B	917166B	1	None	1
		8	H3HK008H-01B	917167B	1	None	1
		10	H3HK010H-01B	916768B	1	None	1
		15	H3HK015H-01B	917169B	2	2	3
		20	H3HK020H-01B	917170B	2	2	6
	4.0 Ton 10 & 12 SEER 1 phase	5	H3HK005H-01B	917166B	1	None	1
		8	H3HK008H-01B	917167B	1	None	1
		10	H3HK010H-01B	916768B	1	None	1
		15	H3HK015H-01B	917169B	2	2	3
20		H3HK020H-01B	917170B	2	2	6	
5.0 Ton 10 & 12 SEER 1 phase	5	H3HK005H-01B	917166B	1	None	1	
	8	H3HK008H-01B	917167B	1	None	1	
	10	H3HK010H-01B	916768B	1	None	1	
	15	H3HK015H-01B	917169B	2	2	3	
	20	H3HK020H-01B	917170B	2	2	6	
Small Package H/P	2.0 Ton 10 & 12 SEER 1 phase	5	H3HK005H-01B	917166B	1	None	1
		8	H3HK008H-01B	917167B	1	None	1
		10	H3HK010H-01B	916768B	2	2	2
	2.5 Ton 10 & 12 SEER 1 phase	5	H3HK005H-01B	917166B	1	None	1
		8	H3HK008H-01B	917167B	1	None	1
		10	H3HK010H-01B	916768B	2	2	2
	3.0 Ton 10 & 12 SEER 1 phase	15	H3HK015H-01B	917169B	2 or 3	2 or 3	4
		5	H3HK005H-01B	917166B	1	None	1
		8	H3HK008H-01B	917167B	1	None	2
	3.0 Ton 10 & 12 SEER 1 phase	10	H3HK010H-01B	916768B	2	2	2
		15	H3HK015H-01B	917169B	2 or 3	2 or 3	4 or 5
		5	H3HK005H-01B	917166B	1	None	1
	3.5 Ton 10 & 12 SEER 1 phase	8	H3HK008H-01B	917167B	2	2	2
		10	H3HK010H-01B	916768B	2	2	2
		15	H3HK015H-01B	917169B	2 or 3	2 or 3	4 or 5
		20	H3HK020H-01B	917170B	3	3	7
		5	H3HK005H-01B	917166B	2	2	1 or 2
	4.0 Ton 10 & 12 SEER 1 phase	8	H3HK008H-01B	917167B	2	2	2
		10	H3HK010H-01B	916768B	2	2	2
		15	H3HK015H-01B	917169B	2 or 3	2 or 3	4 or 5
20		H3HK020H-01B	917170B	3	3	7	
5.0 Ton 10 & 12 SEER 1 phase	5	H3HK005H-01B	917166B	2	2	2	
	8	H3HK008H-01B	917167B	2	2	2	
	10	H3HK010H-01B	916768B	2	2	2	
	15	H3HK015H-01B	917169B	2 or 3	2 or 3	4 or 5	
	20	H3HK020H-01B	917170B	3	3	7	

Table 4. Small Package Applications

Model	Heater kw	Single circuit						Multiple Circuit											
		MCA MOP		Copper Wire Size				A			B			C					
				60°C	75°C	90°C	60°C												
		60°C	75°C	90°C	60°C	75°C	90°C	60°C	75°C	90°C	60°C	75°C	90°C	60°C	75°C	90°C	60°C	75°C	90°C
Q4SA-036K	0	21.0	35	10	10	10	-	-	-	-	-	-	-	-	-	-	-	-	-
	5	46.0	50	6	8	8	-	-	-	-	-	-	-	-	-	-	-	-	-
	8	60.6	70	4	6	6	19.7	30	12	12	12	40.9	45	6	8	8	-	-	-
	10	71.0	80	3	4	6	19.7	30	12	12	12	51.3	60	6	6	8	-	-	-
	15	96.0	100	1	3	3	44.7	50	6	8	8	51.3	60	6	6	8	-	-	-
Q4SA-048K	0	31.6	50	8	8	8	-	-	-	-	-	-	-	-	-	-	-	-	-
	5	56.6	70	4	6	6	28.5	50	10	10	10	28.1	30	10	10	10	-	-	-
	8	71.1	80	3	4	6	28.5	50	10	10	10	42.7	45	6	8	8	-	-	-
	10	81.6	90	3	4	4	28.5	50	10	10	10	53.1	60	6	6	8	-	-	-
	15	106.6	110	1	2	3	28.5	50	10	10	10	53.1	60	6	6	8	25.0	30	10
	20	131.6	150	00	0	1	28.5	50	10	10	10	53.1	60	6	6	8	50.0	60	6
Q4SA-060K	0	38.4	60	8	8	8	-	-	-	-	-	-	-	-	-	-	-	-	-
	5	63.4	80	4	6	6	35.3	60	8	8	8	28.1	30	10	10	10	-	-	-
	8	77.9	90	3	4	4	35.3	60	8	8	8	42.7	45	6	8	8	-	-	-
	10	88.4	100	2	3	4	35.3	60	8	8	8	53.1	60	6	6	8	-	-	-
	15	113.4	125	0	2	2	35.3	60	8	8	8	53.1	60	6	6	8	25	30	10
	20	138.4	150	00	0	1	35.3	60	8	8	8	53.1	60	6	6	8	50	60	6
Q4SA-036C	0	15.3	25	12	12	12	-	-	-	-	-	-	-	-	-	-	-	-	-
	9	42.3	45	6	8	8	14.0	20	14	14	14	28.4	30	10	10	10	-	-	-
	15	60.4	70	4	6	6	14.0	20	14	14	14	46.5	50	6	8	8	-	-	-
Q4SA-048C	0	18.5	30	12	12	12	-	-	-	-	-	-	-	-	-	-	-	-	-
	9	45.6	50	6	8	8	17.2	30	12	12	12	30.2	35	8	8	8	-	-	-
	15	65.5	70	4	4	6	17.2	30	12	12	12	48.3	50	6	8	8	-	-	-
Q4SA-060C	0	30.5	50	8	8	8	-	-	-	-	-	-	-	-	-	-	-	-	-
	9	57.6	70	4	6	6	27.4	45	10	10	10	30.2	35	8	8	8	-	-	-
	15	75.6	80	3	4	4	27.4	45	10	10	10	48.3	50	6	8	8	-	-	-
Q4SA-036D	0	6.7	15	14	14	14	-	-	-	-	-	-	-	-	-	-	-	-	-
	9	20.8	25	10	10	10	6	15	14	14	14	14.9	15	14	14	14	-	-	-
	15	30.3	35	8	8	8	6	15	14	14	14	24.3	25	10	10	10	-	-	-
Q4SA-048D	0	10.3	15	14	14	14	-	-	-	-	-	-	-	-	-	-	-	-	-
	9	24.4	25	10	10	10	8.6	15	14	14	14	15.8	20	12	12	12	-	-	-
	15	33.8	35	8	8	8	8.6	15	14	14	14	25.2	30	10	10	10	-	-	-
Q4SA-060D	0	13.3	20	14	14	14	-	-	-	-	-	-	-	-	-	-	-	-	-
	9	27.4	30	10	10	10	11.6	20	14	14	14	15.9	20	12	12	12	-	-	-
	15	36.8	40	8	8	8	11.6	20	14	14	14	25.2	30	10	10	10	-	-	-
Q4SC-036K	0	22.5	35	10	10	10	-	-	-	-	-	-	-	-	-	-	-	-	-
	5	47.5	50	6	8	8	-	-	-	-	-	-	-	-	-	-	-	-	-
	8	62.1	70	4	6	6	21.2	35	10	10	10	40.9	45	6	8	8	-	-	-
	10	72.5	80	3	4	6	21.2	35	10	10	10	51.3	60	6	6	8	-	-	-
	15	97.5	100	1	3	3	46.2	50	6	8	8	51.3	60	6	6	8	-	-	-
Q4SC-048K	0	31.1	50	8	8	8	-	-	-	-	-	-	-	-	-	-	-	-	-
	5	56.1	70	4	6	6	28	45	10	10	10	28.1	30	10	10	10	-	-	-
	8	70.6	80	3	4	6	28	45	10	10	10	42.7	45	6	8	8	-	-	-
	10	81.1	90	3	4	4	28	45	10	10	10	53.1	60	6	6	8	-	-	-
	15	106.1	110	1	2	3	28	45	10	10	10	53.1	60	6	6	8	25	30	10
	20	131.1	150	00	0	1	28	45	10	10	10	53.1	60	6	6	8	50	60	6
Q4SC-060K	0	40.6	60	6	8	8	-	-	-	-	-	-	-	-	-	-	-	-	-
	5	65.6	80	4	4	6	37.5	60	8	8	8	28.1	30	10	10	10	-	-	-
	8	80.2	100	3	4	4	37.5	60	8	8	8	42.7	45	6	8	8	-	-	-
	10	90.6	100	2	3	4	37.5	60	8	8	8	53.1	60	6	6	8	-	-	-
	15	115.6	125	0	1	2	37.5	60	8	8	8	53.1	60	6	6	8	25	30	10
	20	140.6	150	00	0	1	37.5	60	8	8	8	53.1	60	6	6	8	50	60	6

Table 5. Large Package HP Electrical Data

Model	Heater kw	Single circuit					Multiple Circuit																					
		MCA MOP		Copper Wire Size			A					B					C											
				60°C	75°C	90°C	MCA	MOP	60°C	75°C	90°C	MCA	MOP	60°C	75°C	90°C	MCA	MOP	60°C	75°C	90°C							
P4SA-036K	0	21.0	35	10	10	10	-	-	-	-	-	-	-	-	-	-	-	-	-	-	-	-	-	-	-	-	-	-
	5	26.6	35	10	10	10	-	-	-	-	-	-	-	-	-	-	-	-	-	-	-	-	-	-	-	-	-	-
	8	41.2	45	6	8	8	-	-	-	-	-	-	-	-	-	-	-	-	-	-	-	-	-	-	-	-	-	-
	10	51.6	60	6	6	8	-	-	-	-	-	-	-	-	-	-	-	-	-	-	-	-	-	-	-	-	-	-
	15	76.6	80	3	4	4	50.0	60	6	8	8	26.6	30	10	10	10	-	-	-	-	-	-	-	-	-	-	-	-
P4SA-048K	0	31.6	50	8	8	8	-	-	-	-	-	-	-	-	-	-	-	-	-	-	-	-	-	-	-	-	-	
	5	31.6	50	8	8	8	-	-	-	-	-	-	-	-	-	-	-	-	-	-	-	-	-	-	-	-	-	
	8	43.5	50	6	8	8	-	-	-	-	-	-	-	-	-	-	-	-	-	-	-	-	-	-	-	-	-	
	10	53.9	60	6	6	8	-	-	-	-	-	-	-	-	-	-	-	-	-	-	-	-	-	-	-	-	-	
	15	78.9	80	3	4	4	50.0	50	6	8	8	28.6	30	10	10	10	-	-	-	-	-	-	-	-	-	-	-	
20	103.9	110	1	2	3	50.0	50	6	8	8	53.9	60	6	6	8	-	-	-	-	-	-	-	-	-	-	-	-	
P4SA-060K	0	38.4	60	8	8	8	-	-	-	-	-	-	-	-	-	-	-	-	-	-	-	-	-	-	-	-	-	
	5	38.4	60	8	8	8	-	-	-	-	-	-	-	-	-	-	-	-	-	-	-	-	-	-	-	-	-	
	8	43.5	60	6	8	8	-	-	-	-	-	-	-	-	-	-	-	-	-	-	-	-	-	-	-	-	-	
	10	53.9	60	6	6	8	-	-	-	-	-	-	-	-	-	-	-	-	-	-	-	-	-	-	-	-	-	
	15	78.9	80	3	4	4	50	60	6	8	8	28.6	30	10	10	10	-	-	-	-	-	-	-	-	-	-	-	
20	103.9	110	1	2	3	35.3	60	8	8	8	53.9	60	6	6	8	50	60	6	8	8	-	-	-	-	-	-	-	
P4SA-036C	0	15.3	25	12	12	12	-	-	-	-	-	-	-	-	-	-	-	-	-	-	-	-	-	-	-	-	-	
	9	28.7	30	10	10	10	14.0	20	14	14	14	28.7	30	10	10	10	-	-	-	-	-	-	-	-	-	-	-	
	15	46.8	50	6	8	8	14.0	20	14	14	14	46.8	50	6	8	8	-	-	-	-	-	-	-	-	-	-	-	
P4SA-048C	0	18.5	30	12	12	12	-	-	-	-	-	-	-	-	-	-	-	-	-	-	-	-	-	-	-	-	-	
	9	28.7	30	10	10	10	17.2	30	12	12	12	31	35	8	8	8	-	-	-	-	-	-	-	-	-	-	-	
	15	49	50	6	8	8	17.2	30	12	12	12	49	50	6	8	8	-	-	-	-	-	-	-	-	-	-	-	
P4SA-060C	0	30.5	50	8	8	8	-	-	-	-	-	-	-	-	-	-	-	-	-	-	-	-	-	-	-	-	-	
	9	31	50	8	8	8	27.4	45	10	10	10	31	35	8	8	8	-	-	-	-	-	-	-	-	-	-	-	
	15	49	50	6	8	8	27.4	45	10	10	10	49	50	6	8	8	-	-	-	-	-	-	-	-	-	-	-	
P4SA-036D	0	6.7	15	14	14	14	-	-	-	-	-	-	-	-	-	-	-	-	-	-	-	-	-	-	-	-	-	
	9	15	20	14	14	14	6	15	14	14	14	15	20	14	14	14	-	-	-	-	-	-	-	-	-	-	-	
	15	24.5	25	10	10	10	6	15	14	14	14	24.4	25	10	10	10	-	-	-	-	-	-	-	-	-	-	-	
P4SA-048D	0	10.3	15	14	14	14	-	-	-	-	-	-	-	-	-	-	-	-	-	-	-	-	-	-	-	-	-	
	9	16.2	20	12	12	12	8.6	15	14	14	14	16.2	20	12	12	12	-	-	-	-	-	-	-	-	-	-	-	
	15	25.7	30	10	10	10	8.6	15	14	14	14	25.7	30	10	10	10	-	-	-	-	-	-	-	-	-	-	-	
P4SA-060D	0	13.3	20	14	14	14	-	-	-	-	-	-	-	-	-	-	-	-	-	-	-	-	-	-	-	-	-	
	9	16.2	20	12	12	12	11.6	20	14	14	14	16.2	20	12	12	12	-	-	-	-	-	-	-	-	-	-	-	
	15	25.7	30	10	10	10	11.6	20	14	14	14	25.7	30	10	10	10	-	-	-	-	-	-	-	-	-	-	-	
P4SC-036K	0	22.5	35	10	10	10	-	-	-	-	-	-	-	-	-	-	-	-	-	-	-	-	-	-	-	-	-	
	5	26.6	35	10	10	10	-	-	-	-	-	-	-	-	-	-	-	-	-	-	-	-	-	-	-	-	-	
	8	41.2	45	6	8	8	-	-	-	-	-	-	-	-	-	-	-	-	-	-	-	-	-	-	-	-	-	
	10	51.6	60	6	6	8	-	-	-	-	-	-	-	-	-	-	-	-	-	-	-	-	-	-	-	-	-	
	15	76.6	80	3	4	4	50.0	60	6	8	8	26.6	30	10	10	10	-	-	-	-	-	-	-	-	-	-	-	
P4SC-048K	0	31.1	50	8	8	8	-	-	-	-	-	-	-	-	-	-	-	-	-	-	-	-	-	-	-	-	-	
	5	31.1	50	8	8	8	-	-	-	-	-	-	-	-	-	-	-	-	-	-	-	-	-	-	-	-	-	
	8	43.5	50	6	8	8	-	-	-	-	-	-	-	-	-	-	-	-	-	-	-	-	-	-	-	-	-	
	10	53.9	60	6	6	8	-	-	-	-	-	-	-	-	-	-	-	-	-	-	-	-	-	-	-	-	-	
	15	78.9	80	3	4	4	50	60	6	8	8	28.9	30	10	10	10	-	-	-	-	-	-	-	-	-	-	-	
20	103.9	110	1	2	3	50	60	6	8	8	53.9	60	6	6	8	-	-	-	-	-	-	-	-	-	-	-	-	
P4SC-060K	0	40.6	60	6	8	8	-	-	-	-	-	-	-	-	-	-	-	-	-	-	-	-	-	-	-	-	-	
	5	40.6	60	6	8	8	-	-	-	-	-	-	-	-	-	-	-	-	-	-	-	-	-	-	-	-	-	
	8	43.5	60	6	8	8	-	-	-	-	-	-	-	-	-	-	-	-	-	-	-	-	-	-	-	-	-	
	10	53.9	60	6	6	8	-	-	-	-	-	-	-	-	-	-	-	-	-	-	-	-	-	-	-	-	-	
	15	78.9	80	3	4	4	50	60	6	8	8	28.6	30	10	10	10	-	-	-	-	-	-	-	-	-	-	-	
20	103.9	110	1	2	3	37.5	60	8	8	8	53.9	60	6	6	8	50	60	6	8	8	-	-	-	-	-	-	-	
P4SC-060C	0	28.4	45	10	10	10	-	-	-	-	-	-	-	-	-	-	-	-	-	-	-	-	-	-	-	-	-	
	9	31	45	8	8	8	25.3	40	10	10	10	31	35	8	8	8	-	-	-	-	-	-	-	-	-	-	-	
	15	49	50	6	8	8	25.3	40	10	10	10	49	50	6	8	8	-	-	-	-	-	-	-	-	-	-	-	

Table 6. Large Package AC Electrical Data

Model	Heater kw	Single circuit					Multiple Circuit											
		MCA	MOP	Copper Wire Size			MCA	MOP	A			B						
				60°C	75°C	90°C			60°C	75°C	90°C	MCA	MOP	Copper Wire Size				
		60°C	75°C	90°C	60°C	75°C	90°C	60°C						75°C	90°C			
P3RA-024K	0	14.9	20	14	14	14	-	-	-	-	-	-	-	-	-	-	-	-
	5	26.8	30	10	10	10	-	-	-	-	-	-	-	-	-	-	-	-
	8	41.3	45	6	8	8	-	-	-	-	-	-	-	-	-	-	-	-
	10	51.8	60	6	6	8	-	-	-	-	-	-	-	-	-	-	-	-
P3RA-030K	0	20.4	30	10	10	10	-	-	-	-	-	-	-	-	-	-	-	-
	5	27.6	30	10	10	10	-	-	-	-	-	-	-	-	-	-	-	-
	8	42.2	45	6	8	8	-	-	-	-	-	-	-	-	-	-	-	-
	10	52.6	60	3	4	4	-	-	-	-	-	-	-	-	-	-	-	-
	15	77.6	80	3	4	4	50	60	6	8	8	27.6	30	10	10	10	10	10
P3RA-036K	0	21.8	35	10	10	10	-	-	-	-	-	-	-	-	-	-	-	-
	5	27.6	35	10	10	10	-	-	-	-	-	-	-	-	-	-	-	-
	8	42.2	45	6	8	8	-	-	-	-	-	-	-	-	-	-	-	-
	10	52.6	60	6	6	8	-	-	-	-	-	-	-	-	-	-	-	-
	15	77.6	80	3	4	4	50	60	6	8	8	27.6	30	10	10	10	10	10
P3RA-042K	0	25.8	40	10	10	10	-	-	-	-	-	-	-	-	-	-	-	-
	5	27.6	40	10	10	10	-	-	-	-	-	-	-	-	-	-	-	-
	8	42.2	45	6	8	8	-	-	-	-	-	-	-	-	-	-	-	-
	10	52.6	60	6	6	8	-	-	-	-	-	-	-	-	-	-	-	-
	15	77.6	80	3	4	4	50.0	60	6	8	8	27.6	30	10	10	10	10	10
	20	102.6	110	1	2	3	50.0	60	6	8	8	52.6	60	6	6	8	8	8
P3RA-048K	0	31.6	50	8	8	8	-	-	-	-	-	-	-	-	-	-	-	-
	5	31.6	50	8	8	8	-	-	-	-	-	-	-	-	-	-	-	-
	8	43.3	50	6	8	8	-	-	-	-	-	-	-	-	-	-	-	-
	10	53.8	60	6	6	8	-	-	-	-	-	-	-	-	-	-	-	-
	15	78.8	80	3	4	4	53.8	60	6	6	8	28.8	30	10	10	10	10	10
	20	103.8	110	1	2	3	53.8	60	6	6	8	53.8	60	6	6	8	8	8
P3RA-060K	0	38.1	60	8	8	8	-	-	-	-	-	-	-	-	-	-	-	-
	5	38.1	60	8	8	8	-	-	-	-	-	-	-	-	-	-	-	-
	8	43.3	60	6	8	8	-	-	-	-	-	-	-	-	-	-	-	-
	10	53.8	60	6	6	8	-	-	-	-	-	-	-	-	-	-	-	-
	15	78.8	80	3	4	4	53.8	60	6	6	8	28.8	30	10	10	10	10	10
	20	103.8	110	1	2	3	53.8	60	6	6	8	53.8	60	6	6	8	8	8
P3RC-024K	0	15.4	25	12	12	12	-	-	-	-	-	-	-	-	-	-	-	-
	5	26.8	30	10	10	10	-	-	-	-	-	-	-	-	-	-	-	-
	8	41.3	45	6	8	8	-	-	-	-	-	-	-	-	-	-	-	-
	10	51.8	60	6	6	8	-	-	-	-	-	-	-	-	-	-	-	-
P3RC-030K	0	20.1	30	12	12	12	-	-	-	-	-	-	-	-	-	-	-	-
	5	27.6	30	10	10	10	-	-	-	-	-	-	-	-	-	-	-	-
	8	42.2	45	6	8	8	-	-	-	-	-	-	-	-	-	-	-	-
	10	52.6	60	6	6	8	-	-	-	-	-	-	-	-	-	-	-	-
	15	77.6	80	3	4	4	50	60	6	8	8	27.6	30	10	10	10	10	10
P3RC-036K	0	21.7	35	10	10	10	-	-	-	-	-	-	-	-	-	-	-	-
	5	27.6	35	10	10	10	-	-	-	-	-	-	-	-	-	-	-	-
	8	42.2	45	6	8	8	-	-	-	-	-	-	-	-	-	-	-	-
	10	52.6	60	6	6	8	-	-	-	-	-	-	-	-	-	-	-	-
	15	77.6	80	3	4	4	50	60	6	8	8	27.6	30	10	10	10	10	10
P3RC-042K	0	22.7	35	10	10	10	-	-	-	-	-	-	-	-	-	-	-	-
	5	27.6	35	10	10	10	-	-	-	-	-	-	-	-	-	-	-	-
	8	42.2	45	6	8	8	-	-	-	-	-	-	-	-	-	-	-	-
	10	52.6	60	6	6	8	-	-	-	-	-	-	-	-	-	-	-	-
	15	77.6	80	3	4	4	50	60	6	8	8	27.6	30	10	10	10	10	10
	20	102.6	110	1	2	3	50	60	6	8	8	52.6	60	6	6	8	8	8
P3RC-048K	0	28.3	45	10	10	10	-	-	-	-	-	-	-	-	-	-	-	-
	5	28.3	45	10	10	10	-	-	-	-	-	-	-	-	-	-	-	-
	8	43.3	45	6	8	8	-	-	-	-	-	-	-	-	-	-	-	-
	10	53.8	60	6	6	8	-	-	-	-	-	-	-	-	-	-	-	-
	15	78.8	80	3	4	4	50	60	6	8	8	28.8	30	10	10	10	10	10
	20	103.8	110	1	2	3	50	60	6	8	8	53.8	60	6	6	8	8	8

Table 8. Small Package AC Electrical Data

Model Number	Heater Element kw	Supply circuit	MCA	Copper Wire Size		MOP	Comp Amps	Fan Amps	Blower Motor Amps	Heater Element Amps	Heater kw	Total Amperes	MCA w/o heat	MOP w/o heat	MCA w/ heat	MOP w/ heat	Voltage
				60°C	75°C												
P3RD-024K	0	Single	16.7	12	12	25	11.6	0.84	1.4	0.0	0.0	13.8	16.74	28.34	1.75	3.15	240
	5	Single	26.8	10	10	30	11.6	0.84	1.4	20.0	4.8	33.8	16.74	28.34	26.75	23.15	240
	8	Single	41.3	6	8	45	11.6	0.84	1.4	31.7	7.6	45.5	16.74	28.34	41.33	34.82	240
	10	Single	51.8	6	8	60	11.6	0.84	1.4	40.0	9.6	53.8	16.74	28.34	51.75	43.15	240
P3RD-030K	0	Single	21.9	10	10	35	15.7	0.84	1.4	0.0	0.0	17.9	21.87	37.56	1.75	3.15	240
	5	Single	26.8	10	10	35	15.7	0.84	1.4	20.0	4.8	37.9	21.87	37.56	26.75	23.15	240
	8	Single	41.3	6	8	45	15.7	0.84	1.4	31.7	7.6	49.6	21.87	37.56	41.33	34.82	240
	10	Single	51.8	6	8	60	15.7	0.84	1.4	40.0	9.6	57.9	21.87	37.56	51.75	43.15	240
	15	Single	76.8	3	4	80	15.7	0.84	1.4	60.0	14.4	77.9	21.87	37.56	76.75	63.15	240
		A		50.0	6	8	60	15.7	0.84		40.0	9.6	56.5	20.47	36.16	50.00	40.00
P3RD-036K		B	26.8	10	10	30			1.4	20.0	4.8	21.4	1.40	1.40	26.75	23.15	240
	0	Single	22.2	10	10	35	16	0.84	1.4	0.0	0.0	18.2	22.24	38.24	1.75	3.15	240
	5	Single	26.8	10	10	35	16	0.84	1.4	20.0	4.8	38.2	22.24	38.24	26.75	23.15	240
	8	Single	41.3	6	8	45	16	0.84	1.4	31.7	7.6	49.9	22.24	38.24	41.33	34.82	240
	10	Single	51.8	6	8	60	16	0.84	1.4	40.0	9.6	58.2	22.24	38.24	51.75	43.15	240
	15	Single	76.8	3	4	80	16	0.84	1.4	60.0	14.4	78.2	22.24	38.24	76.75	63.15	240
P3RD-042K		A	50.0	6	8	60	16	0.84		40.0	9.6	56.8	20.84	36.84	50.00	40.00	240
		B	26.8	10	10	30			1.4	20.0	4.8	21.4	1.40	1.40	26.75	23.15	240
	0	Single	32.2	8	8	50	21.5	1.2	4.1	0.0	0.0	26.8	32.17	53.68	5.13	9.23	240
	5	Single	32.2	8	8	50	21.5	1.2	4.1	20.0	4.8	46.8	32.17	53.68	30.13	29.23	240
	8	Single	44.7	6	8	50	21.5	1.2	4.1	31.7	7.6	58.5	32.17	53.68	44.71	40.89	240
	10	Single	55.1	4	6	60	21.5	1.2	4.1	40.0	9.6	66.8	32.17	53.68	55.13	49.23	240
P3RD-042K	15	Single	80.1	3	4	90	21.5	1.2	4.1	60.0	14.4	86.8	32.17	53.68	80.13	69.23	240
		A	50.0	6	8	60	21.5	1.2		40.0	9.6	62.7	28.07	49.58	50.00	40.00	240
		B	30.1	8	8	35			4.1	20.0	4.8	24.1	4.10	4.10	30.13	29.23	240
	20	Single	105.1	1	2	110	21.5	1.2	4.1	80.0	19.2	106.8	32.17	53.68	105.13	89.23	240
		A	50.0	6	8	60	21.5	1.2		40.0	9.6	62.7	28.07	49.58	50.00	40.00	240
		B	55.1	4	6	60			4.1	40.0	9.6	44.1	4.10	4.10	55.13	49.23	240

Table 9. Small Package 13 SEER AC Electrical Data

Model Number	Heater Element kw	Supply circuit	MCA	Copper Wire Size			MOP	Comp Amps	Fan Amps	Blower Motor Amps	Heater Element Amps	Heater kw	Total Amperes	MCA w/o heat	MCA w/ heat	MOP w/o heat	MOP w/ heat	Voltage
				60°C	75°C	90°C												
P3RD-048K	0	Single	35.3	8	8	8	50	22.5	1.2	6	0.0	0.0	29.7	35.33	7.50	57.83	13.50	240
	5	Single	35.3	8	8	8	50	22.5	1.2	6	20.0	4.8	49.7	35.33	32.50	57.83	33.50	240
	8	Single	47.1	6	8	8	50	22.5	1.2	6	31.7	7.6	61.4	35.33	47.08	57.83	45.17	240
	10	Single	57.5	4	6	6	60	22.5	1.2	6	40.0	9.6	69.7	35.33	57.50	57.83	53.50	240
	15	Single	82.5	3	4	4	90	22.5	1.2	6	60.0	14.4	89.7	35.33	82.50	57.83	73.50	240
	15	A	50.0	6	8	8	50	22.5	1.2		40.0	9.6	63.7	29.32	50.00	51.83	40.00	240
		B	32.5	8	8	8	35				6	4.8	26.0	6.00	32.50	6.00	33.50	240
	20	Single	107.5	1	2	3	110	22.5	1.2	6	80.0	19.2	109.7	35.33	107.50	57.83	93.50	240
	20	A	50.0	6	8	8	50	22.5	1.2		40.0	9.6	63.7	29.32	50.00	51.83	40.00	240
		B	57.5	4	6	6	60				6	9.6	46.0	6.00	57.50	6.00	53.50	240
P3RD-060K	0	Single	42.5	6	8	8	70	28.2	1.2	6	0.0	0.0	35.4	42.45	7.50	70.65	13.50	240
	5	Single	42.5	6	8	8	70	28.2	1.2	6	20.0	4.8	55.4	42.45	32.50	70.65	33.50	240
	8	Single	47.1	6	8	8	70	28.2	1.2	6	31.7	7.6	67.1	42.45	47.08	70.65	45.17	240
	10	Single	57.5	4	6	6	70	28.2	1.2	6	40.0	9.6	75.4	42.45	57.50	70.65	53.50	240
	15	Single	82.5	3	4	4	90	28.2	1.2	6	60.0	14.4	95.4	42.45	82.50	70.65	73.50	240
	15	A	50.0	6	8	8	60	28.2	1.2		40.0	9.6	69.4	36.45	50.00	64.65	40.00	240
		B	32.5	8	8	8	35				6	4.8	26.0	6.00	32.50	6.00	33.50	240
	20	Single	107.5	1	2	3	110	28.2	1.2	6	80.0	19.2	115.4	42.45	107.50	70.65	93.50	240
	20	A	50.0	6	8	8	60	28.2	1.2		40.0	9.6	69.4	36.45	50.00	64.65	40.00	240
		B	57.5	4	6	6	60				6	9.6	46.0	6.00	57.50	6.00	53.50	240

Table 9. Small Package 13 SEER AC Electrical Data (Continued)

Model Number	Heater Element kw	Supply circuit	Minimum Circuit Ampacity	Copper Wire Size			Maximum Over-current Protection	Comp Amps	Fan Amps	Blower Motor Amps	Heater Element Amps	Heater kw	Total Amperes	MCA	MOP	Voltage	
				60°C	75°C	90°C											
Q3RD-024K	0	Single	20.1	10	10	10	30	12.1	0.84	4.1	0.0	0.0	17.0	20.07	32.16	240	
	5	Single	45.1	6	8	8	50	12.1	0.84	4.1	20.0	4.8	37.0	45.06	52.16	240	
	8	Single	59.6	4	6	6	60	12.1	0.84	4.1	31.7	7.6	48.7	59.65	63.83	240	
	10	A	16.0	12	12	12	25	12.1	0.84		0.0			12.9	15.97	28.07	240
		B	43.7	6	8	8	45			4.1	31.7	7.6	35.8	43.68	35.77	240	
		Single	70.1	3	4	6	80	12.1	0.84	4.1	40.0	9.6	57.0	70.06	72.17	240	
		A	16.0	12	12	12	25	12.1	0.84		0.0			12.9	15.97	28.07	240
	Q3RD-030K	B	54.1	6	6	8	60			4.1	40.0	9.6	44.1	54.10	44.10	240	
		0	Single	19.2	12	12	30	30	13.6	0.84	1.4	0.0	0.0	15.8	19.24	32.84	240
		5	Single	44.2	6	8	8	50	13.6	0.84	1.4	20.0	4.8	35.8	44.24	52.84	240
8		Single	58.8	4	6	6	60	13.6	0.84	1.4	31.7	7.6	47.5	58.82	64.51	240	
10		A	17.8	12	12	12	30	13.6	0.84		0.0			14.4	17.84	31.44	240
		B	41.0	6	8	8	45			1.4	31.7	7.6	33.1	40.98	33.07	240	
		Single	69.2	4	4	6	70	13.6	0.84	1.4	40.0	9.6	55.8	69.24	72.84	240	
		A	17.8	12	12	12	30	13.6	0.84		0.0			14.4	17.84	31.44	240
Q3RD-036K		B	51.4	6	6	8	60			1.4	40.0	9.6	41.4	51.40	41.40	240	
		15	Single	94.2	2	3	4	100	13.6	0.84	1.4	60.0	14.4	75.8	94.24	92.84	240
	2-CIRCUIT	A	42.8	6	8	8	50	13.6	0.84		20.0	4.8	34.4	42.84	51.44	240	
	3-CIRCUIT	B	51.4	6	6	8	60			1.4	40.0	9.6	41.4	51.40	41.40	240	
		A	17.8	12	12	12	30	13.6	0.84		0.0			14.4	17.84	31.44	240
		B	26.4	10	10	10	30			1.4	20.0	4.8	21.4	26.40	21.40	240	
		C	50.0	6	8	8	60				40.0	9.6	40.0	50.00	40.00	240	
	Q3RD-036K	0	Single	25.4	10	10	40	40	16.4	0.84	4.1	0.0	0.0	21.3	25.44	41.84	240
		5	Single	50.4	6	6	8	60	16.4	0.84	4.1	20.0	4.8	41.3	50.44	61.84	240
		8	Single	65.0	4	6	6	70	16.4	0.84	4.1	31.7	7.6	53.0	65.02	73.51	240
10		A	21.3	10	10	10	35	16.4	0.84		0.0			17.2	21.34	37.74	240
		B	43.7	6	8	8	45			4.1	31.7	7.6	35.8	43.68	35.77	240	
		Single	75.4	3	4	4	80	16.4	0.84	4.1	40.0	9.6	61.3	75.44	81.84	240	
		A	21.3	10	10	10	35	16.4	0.84		0.0			17.2	21.34	37.74	240
Q3RD-036K		B	54.1	6	6	8	60			4.1	40.0	9.6	44.1	54.10	44.10	240	
		15	Single	100.4	1	2	3	110	16.4	0.84	4.1	60.0	14.4	81.3	100.44	101.84	240
		2-CIRCUIT	A	46.3	6	8	8	50	16.4	0.84		20.0	4.8	37.2	46.34	57.74	240
	3-CIRCUIT	B	54.1	6	6	8	60			4.1	40.0	9.6	44.1	54.10	44.10	240	
		A	21.3	10	10	10	35	16.4	0.84		0.0			17.2	21.34	37.74	240
		B	29.1	10	10	10	30			4.1	20.0	4.8	24.1	29.10	24.10	240	
		C	50.0	6	8	8	60				40.0	9.6	40.0	50.00	40.00	240	

Table 10. Small Package 13 SEER HP Electrical Data

Model Number	Heater Element kw	Supply circuit	Minimum Circuit Ampacity	Copper Wire Size			Maximum Over-current Protection	Comp Amps	Fan Amps	Blower Motor Amps	Heater Element Amps	Heater kw	Total Amperes	MCA	MOP	Voltage
				60°C	75°C	90°C										
Q3RD-042K	0	Single	32.2	8	8	8	50	20	1.2	6	0.0	0.0	27.2	32.20	52.20	240
		Single	57.2	4	6	6	70	20	1.2	6	2.0	4.8	47.2	57.20	72.20	240
		Single	71.8	3	4	6	80	20	1.2	6	31.7	7.6	58.9	71.78	83.87	240
	5	A	26.2	10	10	10	45	20	1.2	6	0.0	0.0	21.2	26.20	46.20	240
		B	45.6	6	8	8	50	20	1.2	6	31.7	7.6	37.7	45.58	37.67	240
		Single	82.2	3	4	4	90	20	1.2	6	40.0	9.6	67.2	82.20	92.20	240
	10	A	26.2	10	10	10	45	20	1.2	6	0.0	0.0	21.2	26.20	46.20	240
		B	56.0	4	6	6	60	20	1.2	6	40.0	9.6	46.0	56.00	46.00	240
		Single	107.2	1	2	3	110	20	1.2	6	60.0	14.4	87.2	107.20	112.20	240
	15	A	51.2	6	6	8	60	20	1.2	6	20.0	4.8	41.2	51.20	66.20	240
		B	56.0	4	6	6	60	20	1.2	6	40.0	9.6	46.0	56.00	46.00	240
		Single	26.2	10	10	10	45	20	1.2	6	0.0	0.0	21.2	26.20	46.20	240
	20	A	26.2	10	10	10	45	20	1.2	6	0.0	0.0	21.2	26.20	46.20	240
		B	56.0	4	6	6	60	20	1.2	6	40.0	9.6	46.0	56.00	46.00	240
		Single	132.2	0	0	1	150	20	1.2	6	80.0	19.2	107.2	132.20	132.20	240
Q3RD-048K	0	Single	40.1	6	8	8	60	26.3	1.2	6	0.0	0.0	33.5	40.08	66.38	240
		Single	65.1	4	4	6	80	26.3	1.2	6	20.0	4.8	53.5	65.08	86.38	240
		A	34.1	8	8	8	60	26.3	1.2	6	0.0	0.0	27.5	34.08	60.38	240
	5	B	31.0	8	8	8	35	26.3	1.2	6	20.0	4.8	26.0	31.00	26.00	240
		Single	79.7	3	4	4	90	26.3	1.2	6	31.7	7.6	65.2	79.66	98.04	240
		A	34.1	8	8	8	60	26.3	1.2	6	0.0	0.0	27.5	34.08	60.38	240
	8	B	45.6	6	8	8	50	26.3	1.2	6	31.7	7.6	37.7	45.58	37.67	240
		Single	90.1	2	3	4	100	26.3	1.2	6	40.0	9.6	73.5	90.08	106.38	240
		A	34.1	8	8	8	60	26.3	1.2	6	0.0	0.0	27.5	34.08	60.38	240
	10	B	56.0	4	6	6	60	26.3	1.2	6	40.0	9.6	46.0	56.00	46.00	240
		Single	115.1	0	1	2	125	26.3	1.2	6	60.0	14.4	93.5	115.08	126.38	240
		A	59.1	4	6	6	80	26.3	1.2	6	20.0	4.8	47.5	59.08	80.38	240
	15	B	56.0	4	6	6	60	26.3	1.2	6	40.0	9.6	46.0	56.00	46.00	240
		Single	34.1	8	8	8	60	26.3	1.2	6	0.0	0.0	27.5	34.08	60.38	240
		B	31.0	8	8	8	35	26.3	1.2	6	20.0	4.8	26.0	31.00	26.00	240
20	C	50.0	6	8	8	60	26.3	1.2	6	40.0	9.6	40.0	50.00	40.00	240	
	Single	140.1	0	0	1	150	26.3	1.2	6	80.0	19.2	113.5	140.08	146.38	240	
	A	34.1	8	8	8	60	26.3	1.2	6	0.0	0.0	27.5	34.08	60.38	240	
	B	56.0	4	6	6	60	26.3	1.2	6	40.0	9.6	46.0	56.00	46.00	240	
	C	50.0	6	8	8	60	26.3	1.2	6	40.0	9.6	40.0	50.00	40.00	240	

Table 10. Small Package 13 SEER HP Electrical Data (Continued)

Model Number	Heater Element kw	Supply circuit	Minimum Circuit Ampacity	Copper Wire Size			Maximum Over-current Protection	Comp Amps	Fan Amps	Blower Motor Amps	Heater Element Amps	Heater kw	Total Amperes	(MCA) w/o heat	(MCA) w/heat	MOP w/o heat	MOP w/ heat	Voltage		
				60°C	75°C	90°C														
P4SD-036K	0	Single	22.5	10	10	10	35	16	1.2	1.3	0.0	0.0	18.5	22.50	1.63	38.50	2.93	240		
	5	Single	26.6	10	10	10	35	16	1.2	1.3	20.0	4.8	38.5	22.50	26.63	38.50	22.93	240		
	8	Single	41.2	6	8	8	45	16	1.2	1.3	31.7	7.6	50.2	22.50	41.21	38.50	34.59	240		
	10	Single	51.6	6	8	8	60	16	1.2	1.3	40.0	9.6	58.5	22.50	51.63	38.50	42.93	240		
	15	Single	76.6	3	4	4	80	16	1.2	1.3	60.0	14.4	78.5	22.50	76.63	38.50	62.93	240		
		A		50.0	6	8	8	60	16	1.2		40.0	9.6	57.2	21.20	50.00	37.20	40.00	240	
		B		26.6	10	10	10	30	0	0	1.3	20.0	4.8	21.3	1.30	26.63	1.30	22.93	240	
	P4SD-048K	0	Single	35.7	8	8	8	50	24.3	1.2	4.1	0.0	0.0	29.6	35.68	5.13	59.98	9.23	240	
		5	Single	35.7	8	8	8	50	24.3	1.2	4.1	20.0	4.8	49.6	35.68	30.13	59.98	29.23	240	
		8	Single	44.7	6	8	8	50	24.3	1.2	4.1	31.7	7.6	61.3	35.68	44.71	59.98	40.89	240	
		10	Single	55.1	4	6	6	60	24.3	1.2	4.1	40.0	9.6	69.6	35.68	55.13	59.98	49.23	240	
		15	Single	80.1	3	4	4	90	24.3	1.2	4.1	60.0	14.4	89.6	35.68	80.13	59.98	69.23	240	
		15	A		50.0	6	8	8	50	24.3	1.2		40.0	9.6	65.5	31.57	50.00	55.88	40.00	240
			B		30.1	8	8	35			4.1	20.0	4.8	24.1	4.10	30.13	4.10	29.23	240	
		20	Single	105.1	1	2	3	110	24.3	1.2	4.1	80.0	19.2	109.6	35.68	105.13	59.98	89.23	240	
20		A		50.0	6	8	8	50	24.3	1.2		40.0	9.6	65.5	31.57	50.00	55.88	40.00	240	
		B		55.1	4	6	6	60		4.1	40.0	9.6	44.1	4.10	55.13	4.10	49.23	240		
P4SD-060K		0	Single	43.2	6	8	8	70	28.8	1.2	6	0.0	0.0	36.0	43.20	7.50	72.00	13.50	240	
		5	Single	43.2	6	8	8	70	28.8	1.2	6	20.0	4.8	56.0	43.20	32.50	72.00	33.50	240	
		8	Single	47.1	6	8	8	70	28.8	1.2	6	31.7	7.6	67.7	43.20	47.08	72.00	45.17	240	
		10	Single	57.5	4	6	6	70	28.8	1.2	6	40.0	9.6	76.0	43.20	57.50	72.00	53.50	240	
			A		37.2	8	8	60		1.2		0.0		30.0	37.20	0.00	66.00	0.00	240	
	10	B		57.5	4	6	60			6	40.0	9.6	46.0	6.00	57.50	6.00	53.50	240		
	15	Single	82.5	3	4	4	90	28.8	1.2	6	60.0	14.4	96.0	43.20	82.50	72.00	73.50	240		
	15	A		50.0	6	8	60		1.2		40.0	9.6	70.0	37.20	50.00	66.00	40.00	240		
		B		32.5	8	8	35			6	20.0	4.8	26.0	6.00	32.50	6.00	33.50	240		
	20	Single	107.5	1	2	3	110	28.8	1.2	6	80.0	19.2	116.0	43.20	107.50	72.00	93.50	240		
		A		37.2	8	8	60		1.2		0.0		30.0	37.20	0.00	66.00	0.00	240		
		B		57.5	4	6	60			6	40.0	9.6	46.0	6.00	57.50	6.00	53.50	240		
	20	C		50.0	6	8	60				40.0	9.6	40.0	0.00	50.00	0.00	40.00	240		

Table 11. Large Package 13 SEER AC Electrical Data

Model Number	Heater Element kw	Supply circuit	Minimum Circuit Ampacity	Copper Wire Size			Maximum Over-current Protection	Comp Amps	Fan Amps	Blower Motor Amps	Heater Element Amps	Heater kw	Total Amperes	MCA	MOP	Voltage	
				60°C	75°C	90°C											
Q4SD-X24K	0	Single	20.6	10	10	10	30	12.1	1.2	4.3	0.0	0.0	17.6	20.63	32.73	240	
	5	Single	45.6	6	8	8	50	12.1	1.2	4.3	20.0	4.8	37.6	45.63	52.73	240	
	5	A	16.3	12	12	12	25	12.1	1.2	4.3	0.0	0.0	13.3	16.32	28.43	240	
	8	B	29.3	10	10	10	30	12.1	1.2	4.3	20.0	4.8	24.3	29.30	24.30	240	
	8	Single	60.2	4	6	6	70	12.1	1.2	4.3	31.7	7.6	49.3	60.21	64.39	240	
	8	A	16.3	12	12	12	25	12.1	1.2	4.3	0.0	0.0	13.3	16.32	28.43	240	
	10	B	43.9	6	8	8	45	12.1	1.2	4.3	31.7	7.6	36.0	43.88	35.97	240	
	10	Single	70.6	3	4	6	80	12.1	1.2	4.3	40.0	9.6	57.6	70.63	72.73	240	
	10	A	16.3	12	12	12	25	12.1	1.2	4.3	0.0	0.0	13.3	16.32	28.43	240	
	15	B	54.3	6	6	8	60	12.1	1.2	4.3	40.0	9.6	44.3	54.30	44.30	240	
	15	Single	95.6	1	3	3	100	12.1	1.2	4.3	60.0	14.4	77.6	95.63	92.73	240	
	15	A	16.3	12	12	12	25	12.1	1.2	4.3	0.0	0.0	13.3	16.32	28.43	240	
	20	B	54.3	6	6	8	60	12.1	1.2	4.3	40.0	9.6	44.3	54.30	44.30	240	
	20	C	50.0	6	8	8	60	12.1	1.2	4.3	40.0	9.6	40.0	50.00	40.00	240	
	20	Single	120.6	0	1	2	125	12.1	1.2	4.3	80.0	19.2	97.6	120.63	112.73	240	
	20	A	16.3	12	12	12	25	12.1	1.2	4.3	0.0	0.0	13.3	16.32	28.43	240	
	20	B	54.3	6	6	8	60	12.1	1.2	4.3	40.0	9.6	44.3	54.30	44.30	240	
	20	C	50.0	6	8	8	60	12.1	1.2	4.3	40.0	9.6	40.0	50.00	40.00	240	
	Q4SD-X30K	0	Single	24.3	10	10	10	35	15.0	1.2	4.3	0.0	0.0	20.5	24.25	39.25	240
		5	Single	49.3	6	8	8	50	15.0	1.2	4.3	20.0	4.8	40.5	49.25	59.25	240
5		A	20.0	12	12	12	30	15.0	1.2	4.3	0.0	0.0	16.2	19.95	34.95	240	
8		B	29.3	10	10	10	30	15.0	1.2	4.3	20.0	4.8	24.3	29.30	24.30	240	
8		Single	63.8	4	6	6	70	15.0	1.2	4.3	31.7	7.6	52.2	63.83	70.92	240	
8		A	20.0	12	12	12	30	15.0	1.2	4.3	0.0	0.0	16.2	19.95	34.95	240	
10		B	43.9	6	8	8	45	15.0	1.2	4.3	31.7	7.6	36.0	43.88	35.97	240	
10		Single	74.3	3	4	6	80	15.0	1.2	4.3	40.0	9.6	60.5	74.25	79.25	240	
10		A	20.0	12	12	12	30	15.0	1.2	4.3	0.0	0.0	16.2	19.95	34.95	240	
15		B	54.3	6	6	8	60	15.0	1.2	4.3	40.0	9.6	44.3	54.30	44.30	240	
15		Single	99.3	1	3	3	100	15.0	1.2	4.3	60.0	14.4	80.5	99.25	99.25	240	
15		A	20.0	12	12	12	30	15.0	1.2	4.3	0.0	0.0	16.2	19.95	34.95	240	
20		B	54.3	6	6	8	60	15.0	1.2	4.3	40.0	9.6	44.3	54.30	44.30	240	
20		C	25.0	10	10	10	30	15.0	1.2	4.3	20.0	4.8	20.0	25.00	20.00	240	
20		Single	124.3	0	1	2	125	15.0	1.2	4.3	80.0	19.2	100.5	124.25	119.25	240	
20		A	20.0	12	12	12	30	15.0	1.2	4.3	0.0	0.0	16.2	19.95	34.95	240	
20		B	54.3	6	6	8	60	15.0	1.2	4.3	40.0	9.6	44.3	54.30	44.30	240	
20		C	50.0	6	8	8	60	15.0	1.2	4.3	40.0	9.6	40.0	50.00	40.00	240	

Table 12. Large Package 13 SEER HP Electrical Data

Model Number	Heater Element kw	Supply circuit	Minimum Circuit Ampacity	Copper Wire Size			Maximum Over-current Protection	Comp Amps	Fan Amps	Blower Motor Amps	Heater Element Amps	Heater kw	Total Amperes	MCA	MOP	Voltage
				60°C	75°C	90°C										
Q4SD-X36K	0	Single	27.7	10	10	10	45	17.9	1.2	4.1	0.0	0.0	23.2	27.68	45.58	240
	5	Single	52.7	6	6	8	60	17.9	1.2	4.1	20.0	4.8	43.2	52.68	65.58	240
	5	A	23.6	10	10	10	40	17.9	1.2		0.0		19.1	23.57	41.48	240
		B	29.1	10	10	10	30			4.1	20.0	4.8	24.1	29.10	24.10	240
	8	Single	67.3	4	4	6	70	17.9	1.2	4.1	31.7	7.6	54.9	67.26	77.24	240
	8	A	23.6	10	10	10	40	17.9	1.2		0.0		19.1	23.57	41.48	240
		B	43.7	6	8	8	45			4.1	31.7	7.6	35.8	43.68	35.77	240
	10	Single	77.7	3	4	4	80	17.9	1.2	4.1	40.0	9.6	63.2	77.67	85.58	240
	10	A	23.6	10	10	10	40	17.9	1.2		0.0		19.1	23.57	41.48	240
		B	54.1	6	6	8	60			4.1	40.0	9.6	44.1	54.10	44.10	240
	15	Single	102.7	1	2	3	110	17.9	1.2	4.1	60.0	14.4	83.2	102.68	105.58	240
	15	A	23.6	10	10	10	40	17.9	1.2		0.0		19.1	23.57	41.48	240
		B	54.1	6	6	8	60			4.1	40.0	9.6	44.1	54.10	44.10	240
		C	25.0	10	10	10	30				20.0	4.8	20.0	25.00	20.00	240
	20	Single	127.7	00	1	2	150	17.9	1.2	4.1	80.0	19.2	103.2	127.68	125.58	240
20	A	23.6	10	10	10	40	17.9	1.2		0.0		19.1	23.57	41.48	240	
	B	54.1	6	6	8	60			4.1	40.0	9.6	44.1	54.10	44.10	240	
	C	50.0	6	8	8	60				40.0	9.6	40.0	50.00	40.00	240	
Q4SD-X42K	0	Single	33.0	8	8	8	50	20.0	1.2	6.8	0.0	0.0	28.0	33.00	53.00	240
	5	Single	58.0	4	6	6	70	20.0	1.2	6.8	20.0	4.8	48.0	58.00	73.00	240
	5	A	26.2	10	10	10	45	20.0	1.2		0.0		21.2	26.20	46.20	240
		B	31.8	8	8	8	35			6.8	20.0	4.8	26.8	31.80	26.80	240
	8	Single	72.6	3	4	6	80	20.0	1.2	6.8	31.7	7.6	59.7	72.58	84.67	240
	8	A	26.2	10	10	10	45	20.0	1.2		0.0		21.2	26.20	46.20	240
		B	46.4	6	8	8	50			6.8	31.7	7.6	38.5	46.38	38.47	240
	10	Single	83.0	3	4	4	90	20.0	1.2	6.8	40.0	9.6	68.0	83.00	93.00	240
	10	A	26.2	10	10	10	45	20.0	1.2		0.0		21.2	26.20	46.20	240
		B	56.8	4	6	6	60			6.8	40.0	9.6	46.8	56.80	46.80	240
	15	Single	108.0	1	2	3	110	20.0	1.2	6.8	60.0	14.4	88.0	108.00	113.00	240
	15	A	26.2	10	10	10	45	20.0	1.2		0.0		21.2	26.20	46.20	240
		B	56.8	4	6	6	60			6.8	40.0	9.6	46.8	56.80	46.80	240
		C	25.0	10	10	10	30				20.0	4.8	20.0	25.00	20.00	240
	20	Single	133.0	00	0	1	150	20.0	1.2	6.8	80.0	19.2	108.0	133.00	133.00	240
20	A	26.2	10	10	10	45	20.0	1.2		0.0		21.2	26.20	46.20	240	
	B	56.8	4	6	6	60			6.8	40.0	9.6	46.8	56.80	46.80	240	
	C	50.0	6	8	8	60				40.0	9.6	40.0	50.00	40.00	240	

Table 12. Large Package 13 SEER HP Electrical Data (Continued)

Model Number	Heater Element kw	Supply circuit	Minimum Circuit Ampacity	Copper Wire Size		Maximum Over-current Protection	Comp Amps	Fan Amps	Blower Motor Amps	Heater Element Amps	Heater kw	Total Amperes	MCA	MOP	Voltage	
				60°C	75°C											90°C
Q4SD-X48K	0	Single	36.7	8	8	8	23.6	1.2	6	0.0	0.0	30.8	36.70	60.30	240	
	5	Single	61.7	4	6	8	23.6	1.2	6	20.0	4.8	50.8	61.70	80.30	240	
	5	A	30.7	8	8	8	23.6	1.2	6	0.0	0.0	24.8	30.70	54.30	240	
		B	31.0	8	8	8	35		6	20.0	4.8	26.0	31.00	26.00	240	
	8	Single	76.3	3	4	4	23.6	1.2	6	31.7	7.6	62.5	76.28	91.97	240	
	8	A	30.7	8	8	8	23.6	1.2	6	0.0	0.0	24.8	30.70	54.30	240	
		B	45.6	6	8	8	50		6	31.7	7.6	37.7	45.58	37.67	240	
	10	Single	86.7	2	3	4	100	23.6	1.2	6	40.0	9.6	70.8	86.70	100.30	240
	10	A	30.7	8	8	8	50	23.6	1.2	6	0.0	0.0	24.8	30.70	54.30	240
		B	56.0	4	6	6	60		6	40.0	9.6	46.0	56.00	46.00	240	
	15	Single	111.7	0	2	2	125	23.6	1.2	6	60.0	14.4	90.8	111.70	120.30	240
	15	A	30.7	8	8	8	50	23.6	1.2	6	0.0	0.0	24.8	30.70	54.30	240
		B	56.0	4	6	6	60		6	40.0	9.6	46.0	56.00	46.00	240	
	20	Single	136.7	0	0	1	150	23.6	1.2	6	80.0	19.2	110.8	136.70	140.30	240
	20	A	30.7	8	8	8	50	23.6	1.2	6	0.0	0.0	24.8	30.70	54.30	240
		B	56.0	4	6	6	60		6	40.0	9.6	46.0	56.00	46.00	240	
		C	50.0	6	8	8	60			40.0	9.6	40.0	40.0	40.00	240	
	Q4SD-X60K	0	Single	42.5	6	8	8	28.0	1.5	6	0.0	0.0	35.5	42.50	70.50	240
5		Single	67.5	4	4	6	28.0	1.5	6	20.0	4.8	55.5	67.50	90.50	240	
5		A	36.5	8	8	8	28.0	1.5	6	0.0	0.0	29.5	36.50	64.50	240	
		B	31.0	8	8	8	35		6	20.0	4.8	26.0	31.00	26.00	240	
8		Single	82.1	3	4	4	100	28.0	1.5	6	31.7	67.2	82.08	102.17	240	
8		A	36.5	8	8	8	60	28.0	1.5	6	0.0	29.5	36.50	64.50	240	
		B	45.6	6	8	8	50		6	31.7	7.6	37.7	45.58	37.67	240	
10		Single	92.5	2	3	4	110	28.0	1.5	6	40.0	9.6	75.5	92.50	110.50	240
10		A	36.5	8	8	8	60	28.0	1.5	6	0.0	29.5	36.50	64.50	240	
		B	56.0	4	6	6	60		6	40.0	9.6	46.0	56.00	46.00	240	
15		Single	117.5	0	1	2	125	28.0	1.5	6	60.0	14.4	95.5	117.50	130.50	240
15		A	36.5	8	8	8	60	28.0	1.5	6	0.0	29.5	36.50	64.50	240	
		B	56.0	4	6	6	60		6	40.0	9.6	46.0	56.00	46.00	240	
20		Single	142.5	0	0	1	150	28.0	1.5	6	80.0	19.2	115.5	142.50	150.50	240
20		A	36.5	8	8	8	60	28.0	1.5	6	0.0	29.5	36.50	64.50	240	
		B	56.0	4	6	6	60		6	40.0	9.6	46.0	56.00	46.00	240	
		C	50.0	6	8	8	60			40.0	9.6	40.0	40.00	40.00	240	

Table 12. Large Package 13 SEER HP Electrical Data (Continued)

WD #1

1 PHASE

5 KW, 8 KW, OR 10 KW, 1 CIRCUIT

(8 kw and 10 kw shown)

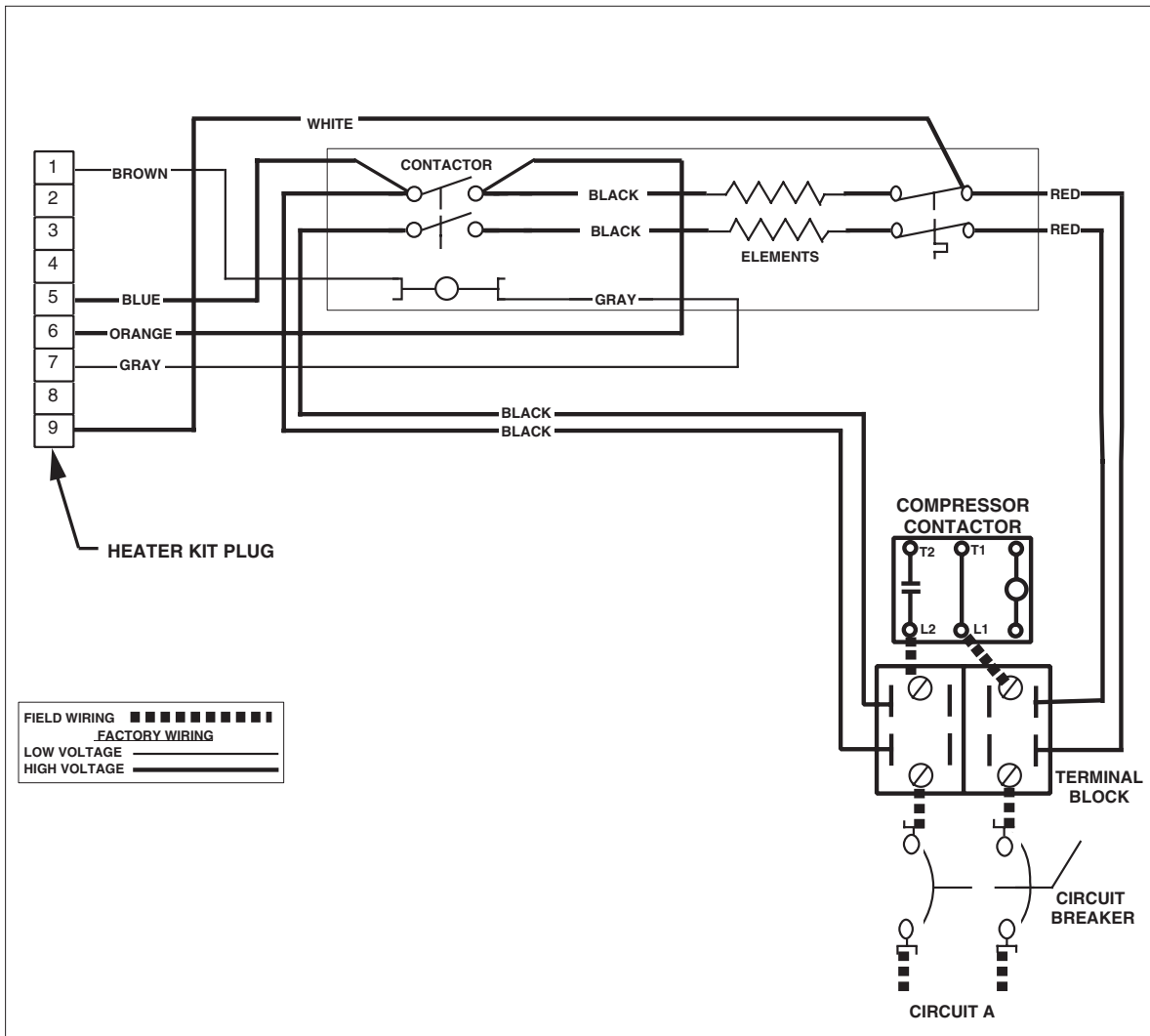
APPLICATIONS INCLUDE:

SMALL PACKAGE:

- Q3RA/C/D - 024K (5 & 8 kw)
- Q3RA/C/D - 030K (5 & 8 kw)
- Q3RA/C/D - 036K (5 kw)
- Q3RA/C/D - 042K (5 kw)
- P3RA/C/D - 024K (5, 8, & 10 kw)
- P3RA/C/D - 030K (5, 8, & 10 kw)
- P3RA/C/D - 036K (5, 8, & 10 kw)
- P3RA/C/D - 042K (5, 8, & 10 kw)
- P3RA/C/D - 048K (5, 8, & 10 kw)
- P3RA/C/D - 060K (5, 8, & 10 kw)

LARGE PACKAGE:

- Q4SA/C/D - 036K (5 kw)
- P4SA/C/D - 036K (5, 8, & 10 kw)
- P4SA/C/D - 048K (5, 8, & 10 kw)
- P4SA/C/D - 060K (5, 8, & 10 kw)



WD #2

1 PHASE

5 KW, 8 KW, OR 10 KW, 2 CIRCUIT

(8 kw and 10 kw shown)

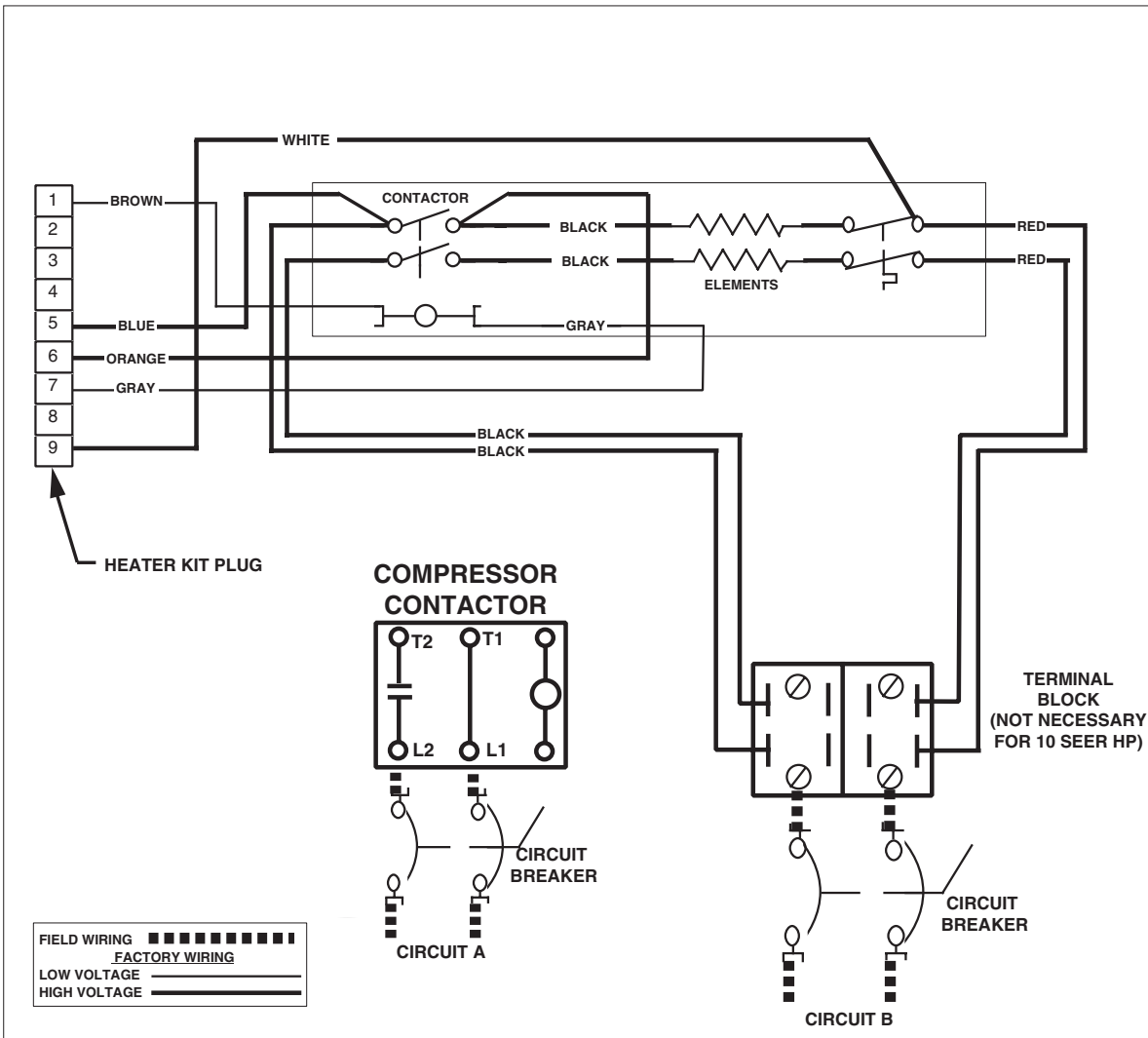
APPLICATIONS INCLUDE:

SMALL PACKAGE:

- Q3RA/C/D - 024K (10 kw)
- Q3RA/C/D - 030K (10 kw)
- Q3RA/C/D - 036K (8 & 10 kw)
- Q3RA/C/D - 042K (8 & 10 kw)
- Q3RA - 048K (5, 8, & 10 kw)
- Q3RC/D - 048K (8 & 10 kw)
- Q3RA - 060K (5, 8, & 10 kw)

LARGE PACKAGE:

- Q4SA/C/D - 036K (8 & 10 kw)
- Q4SA/C/D - 048K (5, 8, & 10 kw)
- Q4SA/C/D - 060K (5, 8, & 10 kw)
- Q4RD - 060K (5, 8, & 10 kw)
- Q4SD - X24K (8, & 10 kw)
- Q4SD - X30K (8, & 10 kw)
- Q4SD - X36K (8, & 10 kw)
- Q4SD - X42K (5, 8, & 10 kw)
- Q4SD - X48K (5, 8, & 10 kw)
- Q4SD - X60K (5, 8, & 10 kw)



WD#3

1 PHASE
15 KW, 2 CIRCUIT

(Air Conditioning Application)

APPLICATIONS INCLUDE:

LARGE PACKAGE:

P4SA/C/D - 036K

P4SA/C/D - 048K

P4SA/C/D - 060K

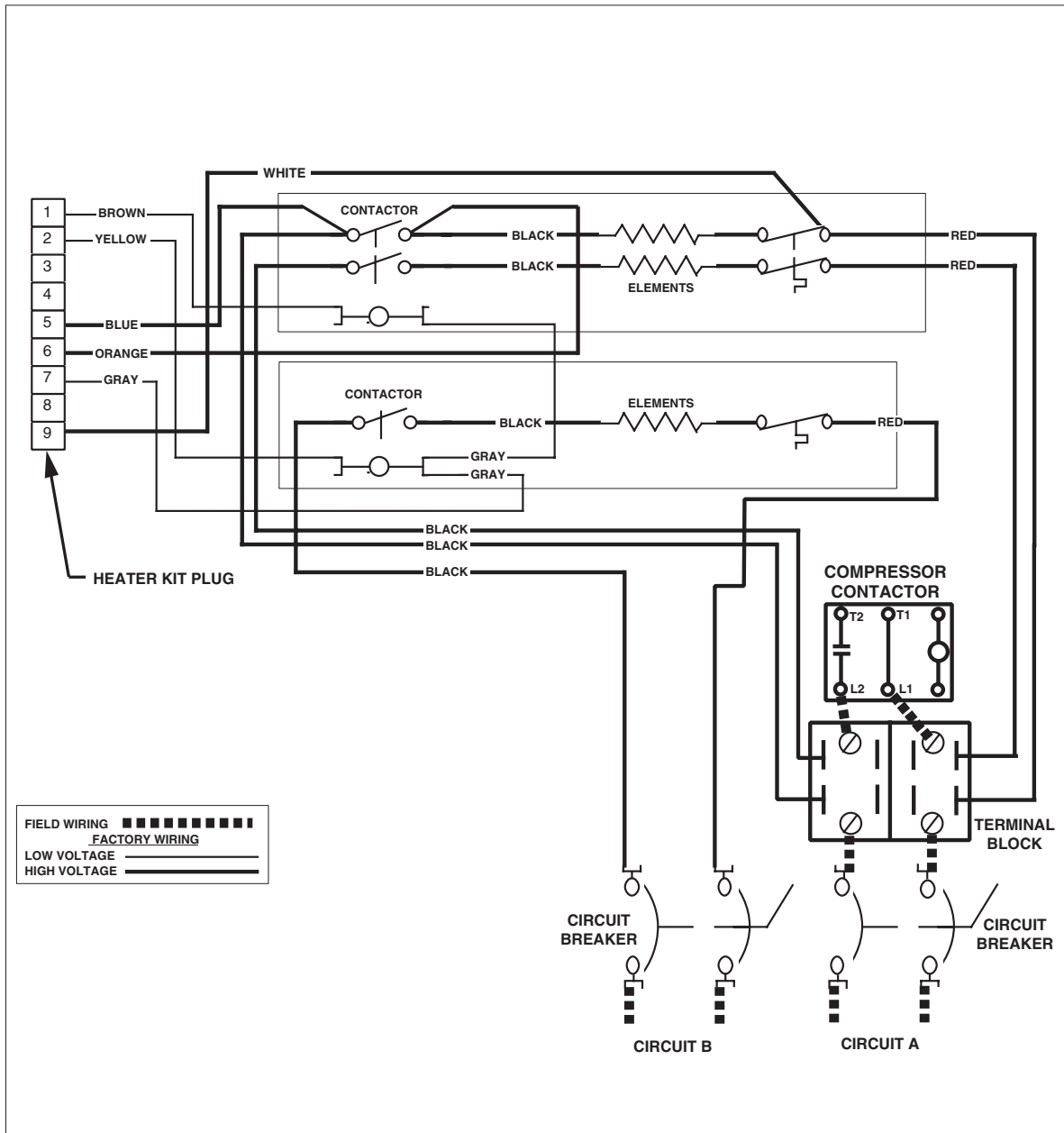
SMALL PACKAGE:

P3RA/C/D - 030K

P3RA/C/D - 036K

P3RA/C/D - 042K

P3RA/C/D - 048K



WD #4

1 PHASE
15 KW, 2 CIRCUIT

(Heat Pump Application)

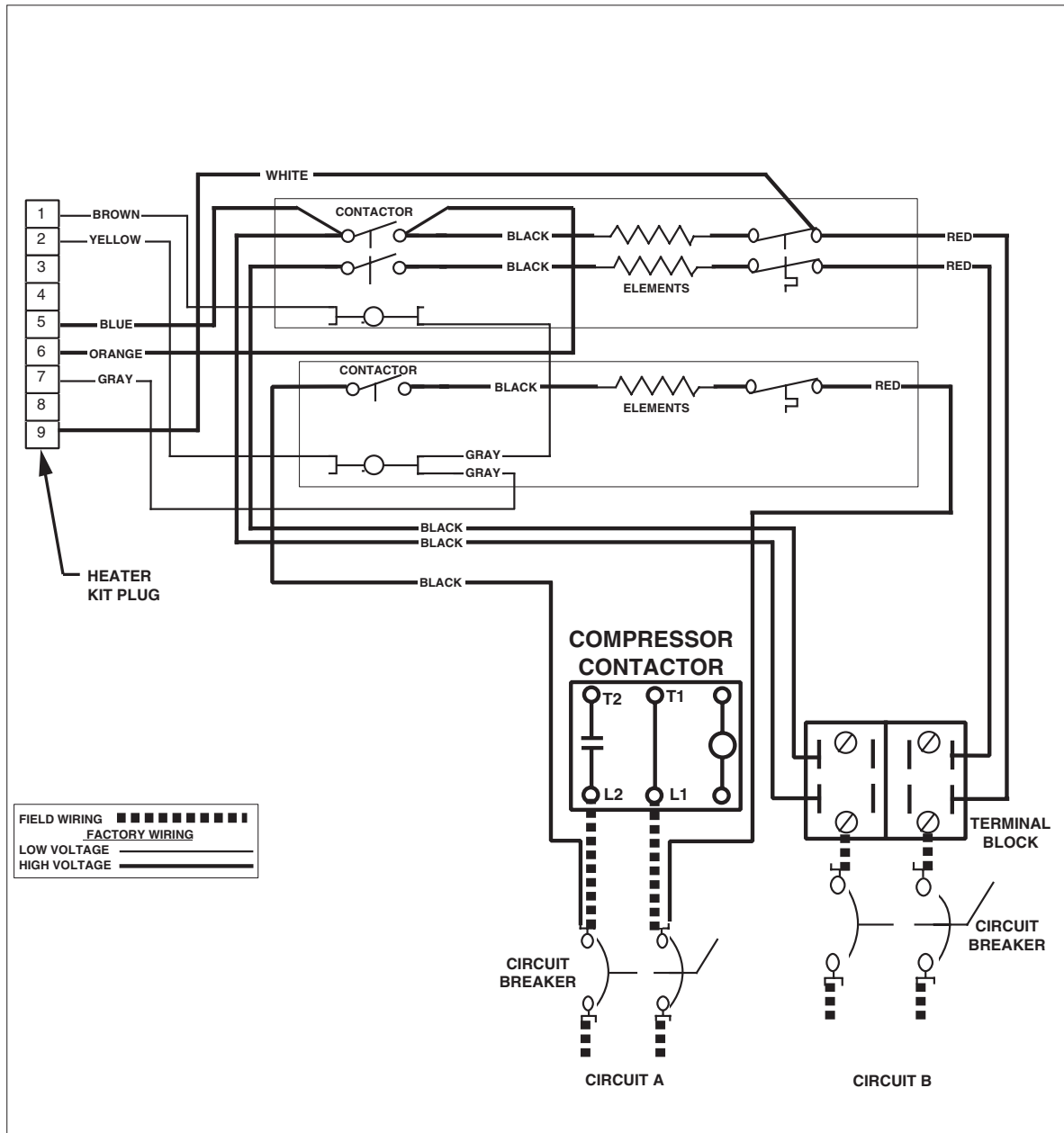
APPLICATIONS INCLUDE:

LARGE PACKAGE:

- Q4SA - 036K
- Q4SC/D - 036K
- Q4SD - X24K
- Q4SD - X30K
- Q4SD - X36K

SMALL PACKAGE:

- Q3RA/C/D - 030K
- Q3RA/C/D - 036K
- Q3RA/C/D - 042K
- Q3RC/D - 048K



WD #5

1 PHASE
15 KW, 3 CIRCUIT

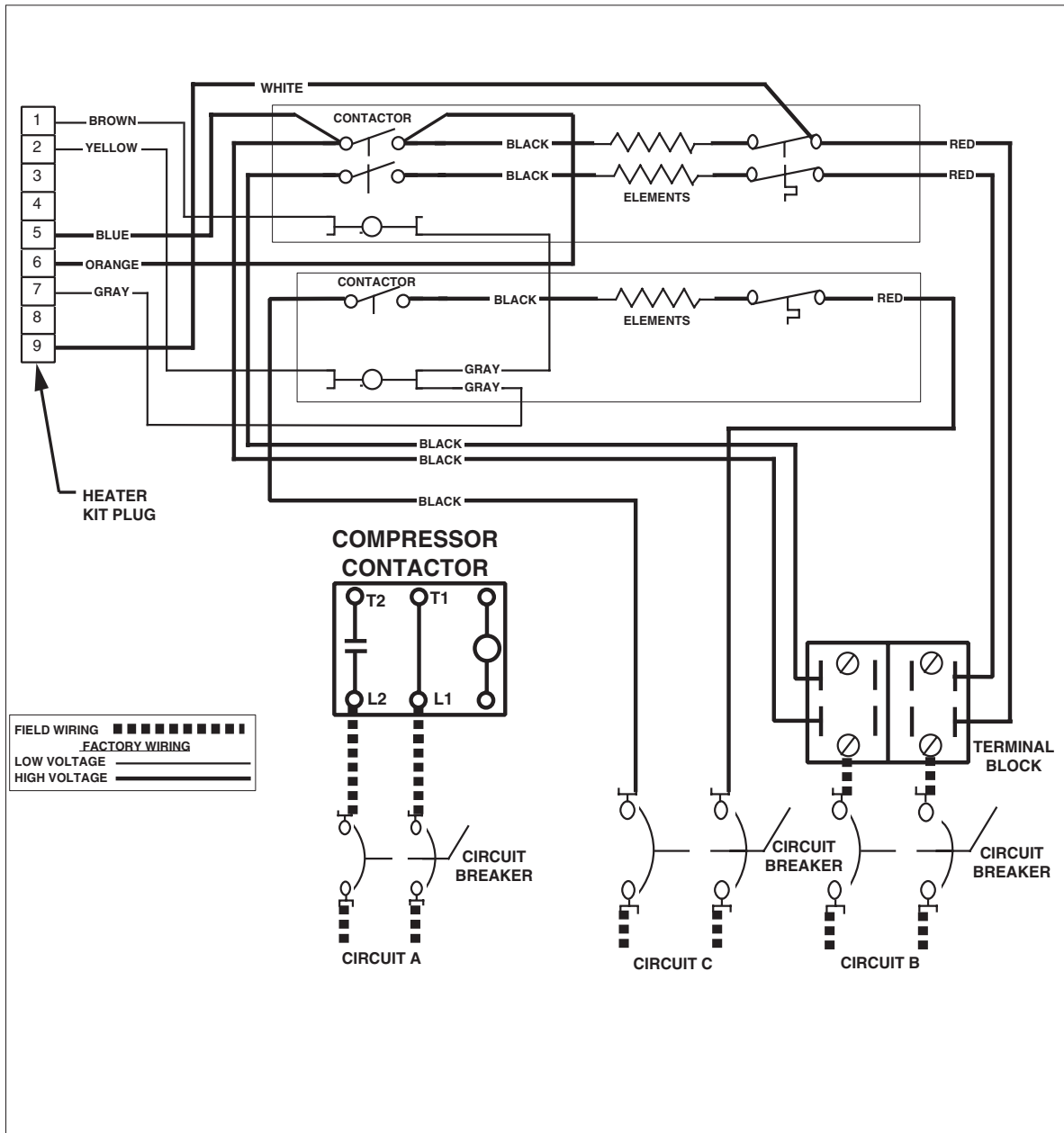
APPLICATIONS INCLUDE:

SMALL PACKAGE:

- Q3RA/C/D - 042K
- Q3RA/C/D - 048K
- Q3RA - 060K

LARGE PACKAGE:

- Q4SA/C/D - 048K
- Q4SA/C/D - 060K
- P4SA/C/D - 060K
- Q4RD - 060K
- Q4SD - X42K
- Q4SD - X48K
- Q4SD - X60K



WD #6

1 PHASE
20 KW, 2 CIRCUIT

APPLICATIONS INCLUDE:

SMALL PACKAGE:

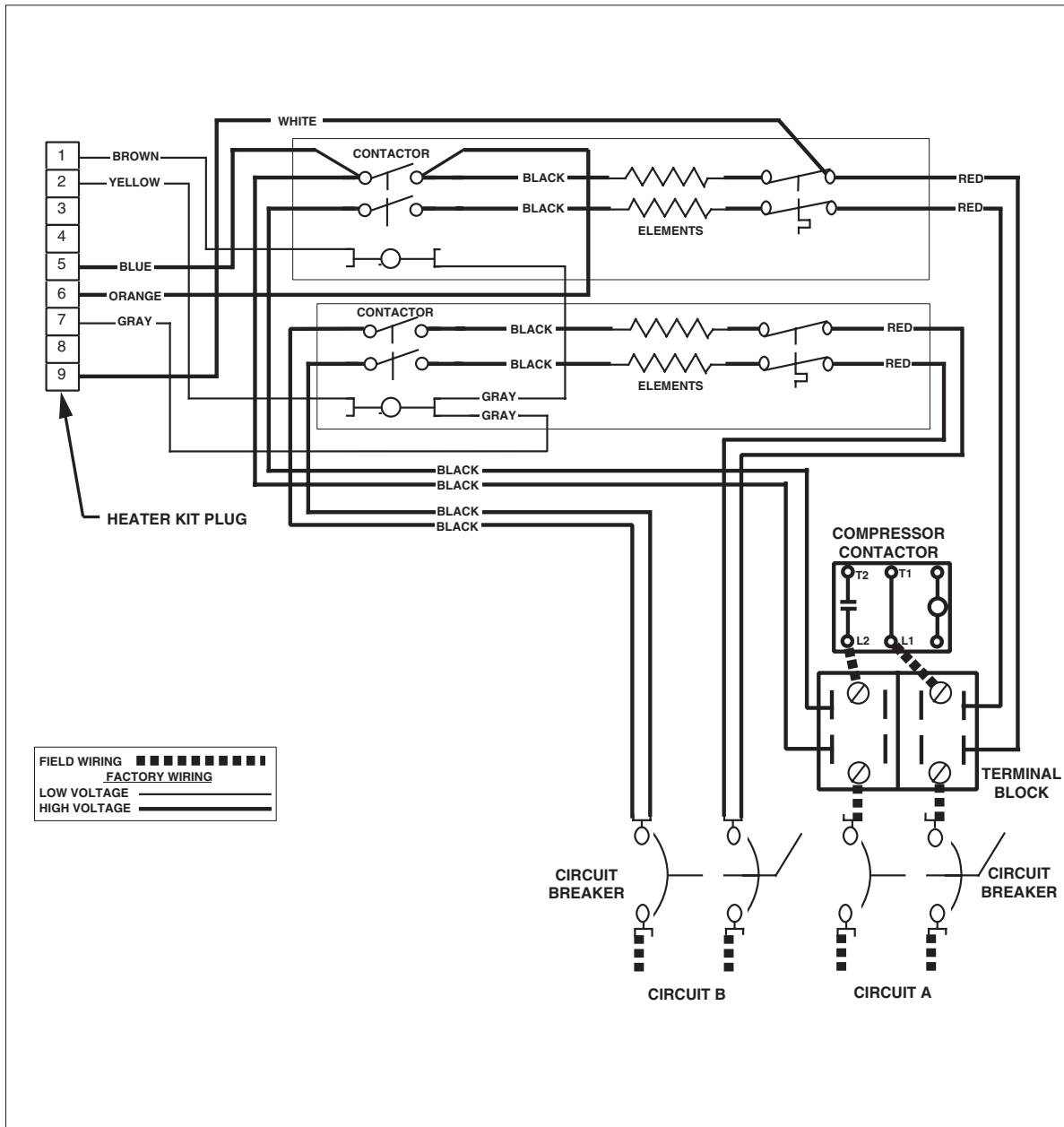
P3RA/C/D - 042K

P3RA/C/D - 048K

P3RA/C/D - 060K

LARGE PACKAGE:

P4SA/C/D - 048K



WD #7

1 PHASE
20 KW, 3 CIRCUIT

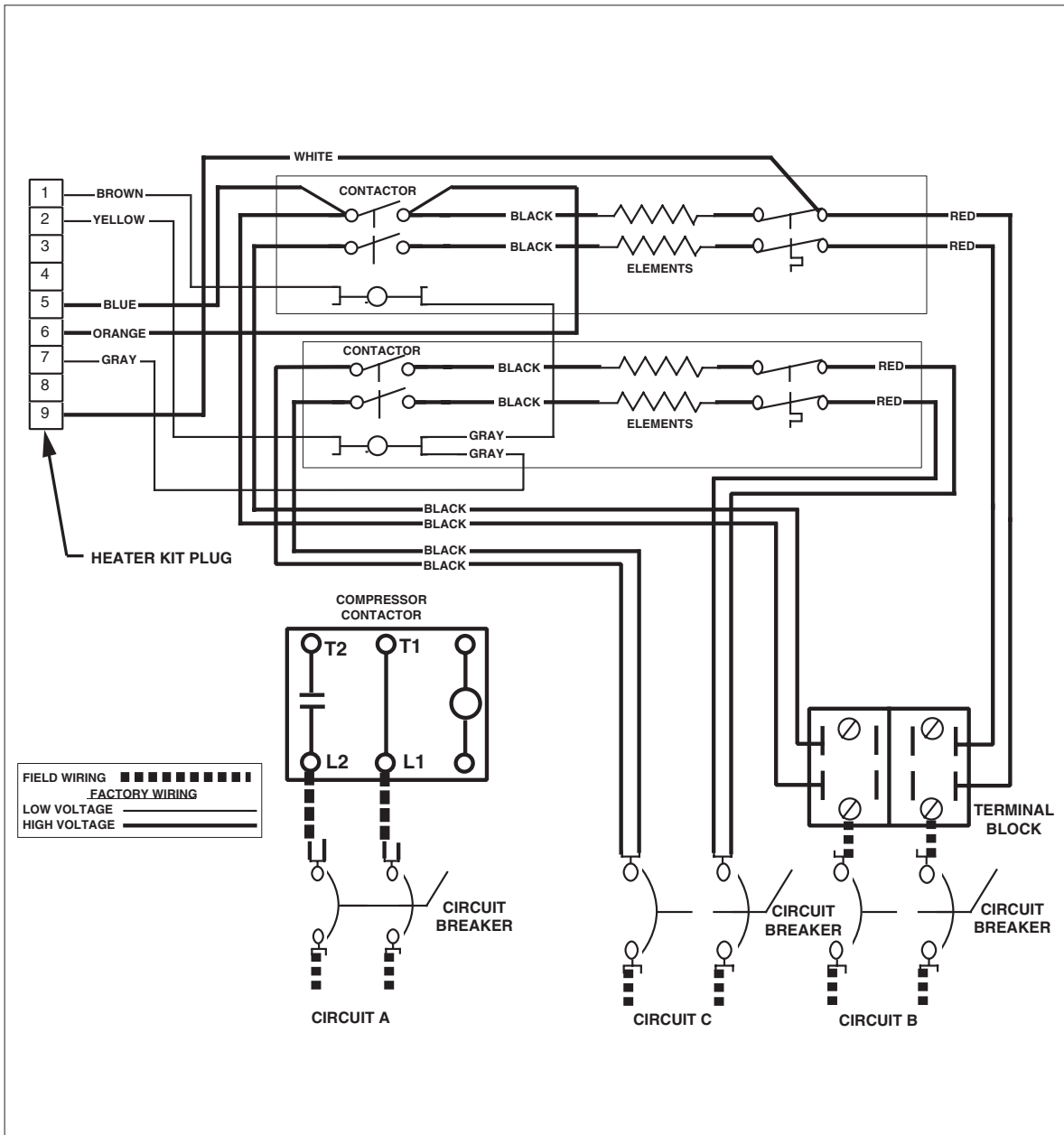
APPLICATIONS INCLUDE:

SMALL PACKAGE:

- Q3RA/C/D - 042K
- Q3RA/C/D - 048K
- Q3RA/D - 060K

LARGE PACKAGE:

- Q4SA/C/D - 048K
- Q4SA/C/D - 060K
- P4SA/C/D - 060K
- Q4SD - X42
- Q4SD - X48
- Q4SD - X60

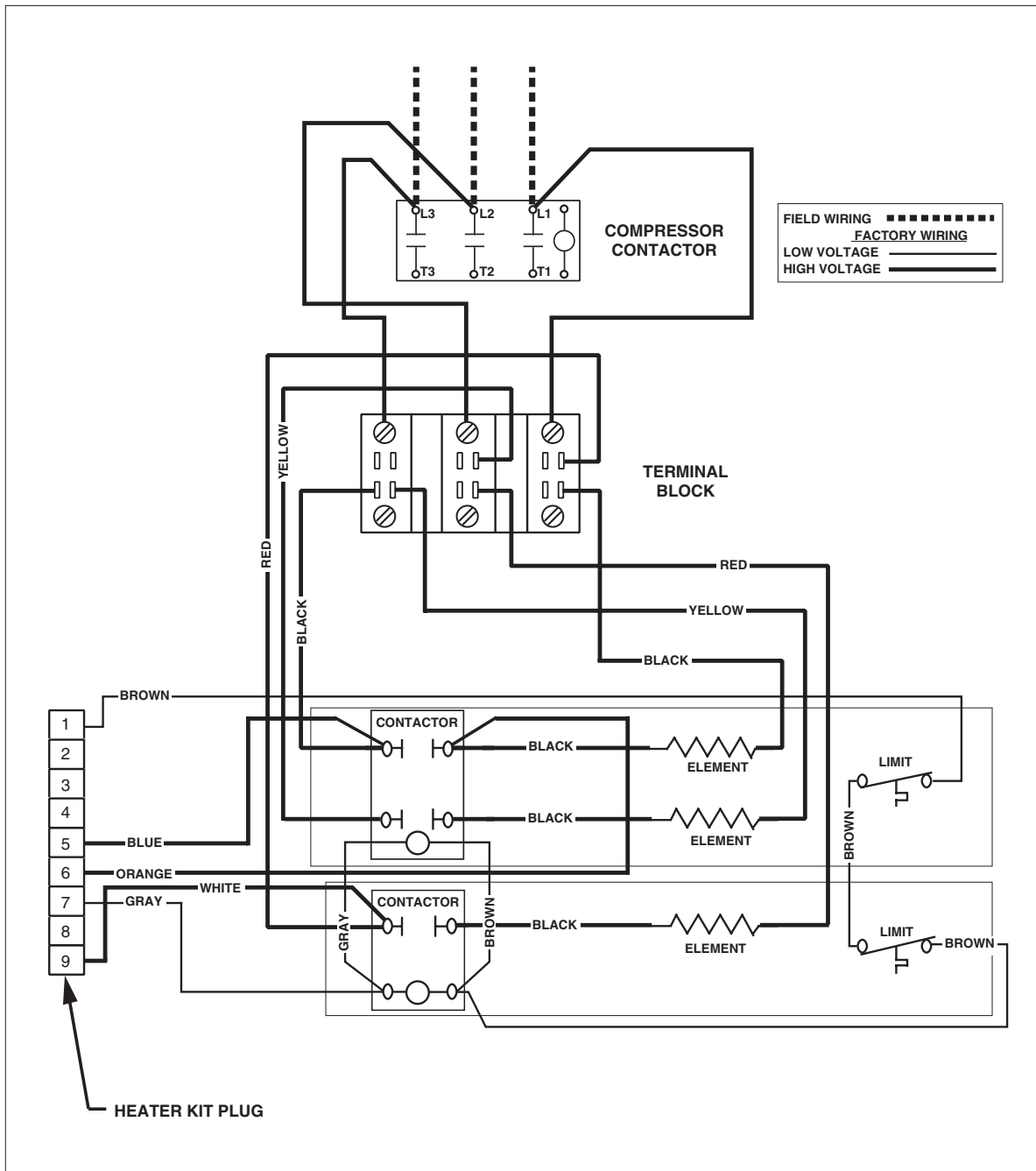


WD #8

3 PHASE, 208/230V
9 OR 15 KW, 1 CIRCUIT

APPLICATIONS INCLUDE:

- | | |
|-------------------------|--------------------|
| P4SA - 036C (9 & 15 kw) | Q4SA - 036C (9 kw) |
| P4SA - 048C (9 & 15 kw) | Q4SA - 048C (9 kw) |
| P4SA - 060C (9 & 15 kw) | Q4SA - 060C (9 kw) |
| P4SC - 060C (9 & 15 kw) | |



WD #9

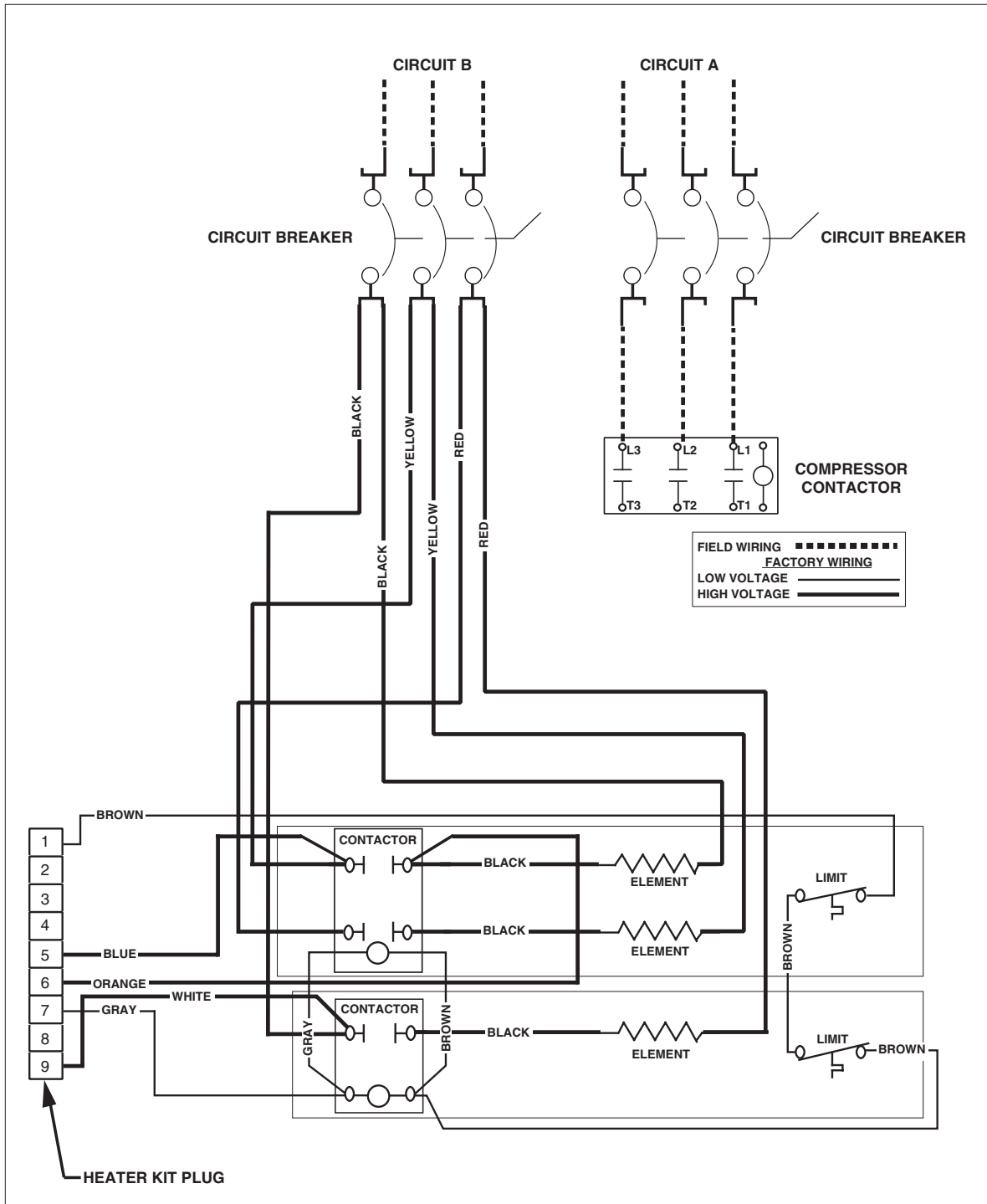
3 PHASE, 208/230V
9 OR 15 KW, 2 CIRCUIT

APPLICATIONS INCLUDE:

Q4SA - 036C (15 kw)

Q4SA - 048C (15 kw)

Q4SA - 060C (9 & 15 kw)

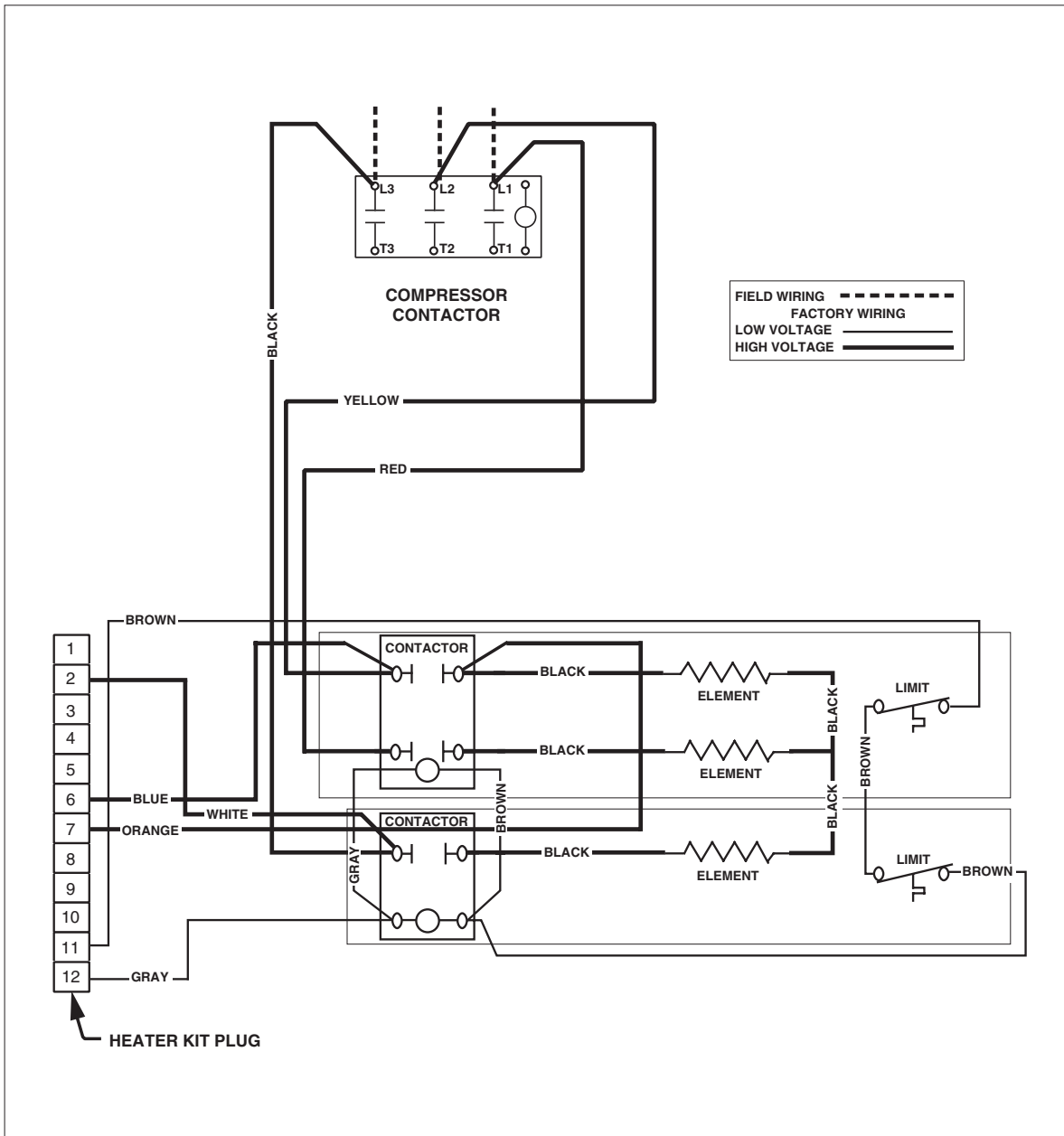


WD #10

3 PHASE, 460V
9 OR 15 KW, 1 CIRCUIT

APPLICATIONS INCLUDE:

- Q4SA - 036D (9 & 15 kw)
- Q4SA - 048D (9 & 15 kw)
- Q4SA - 060D (9 & 15 kw)
- P4SA - 036D (9 & 15 kw)
- P4SA - 048D (9 & 15 kw)
- P4SA - 060D (9 & 15 kw)

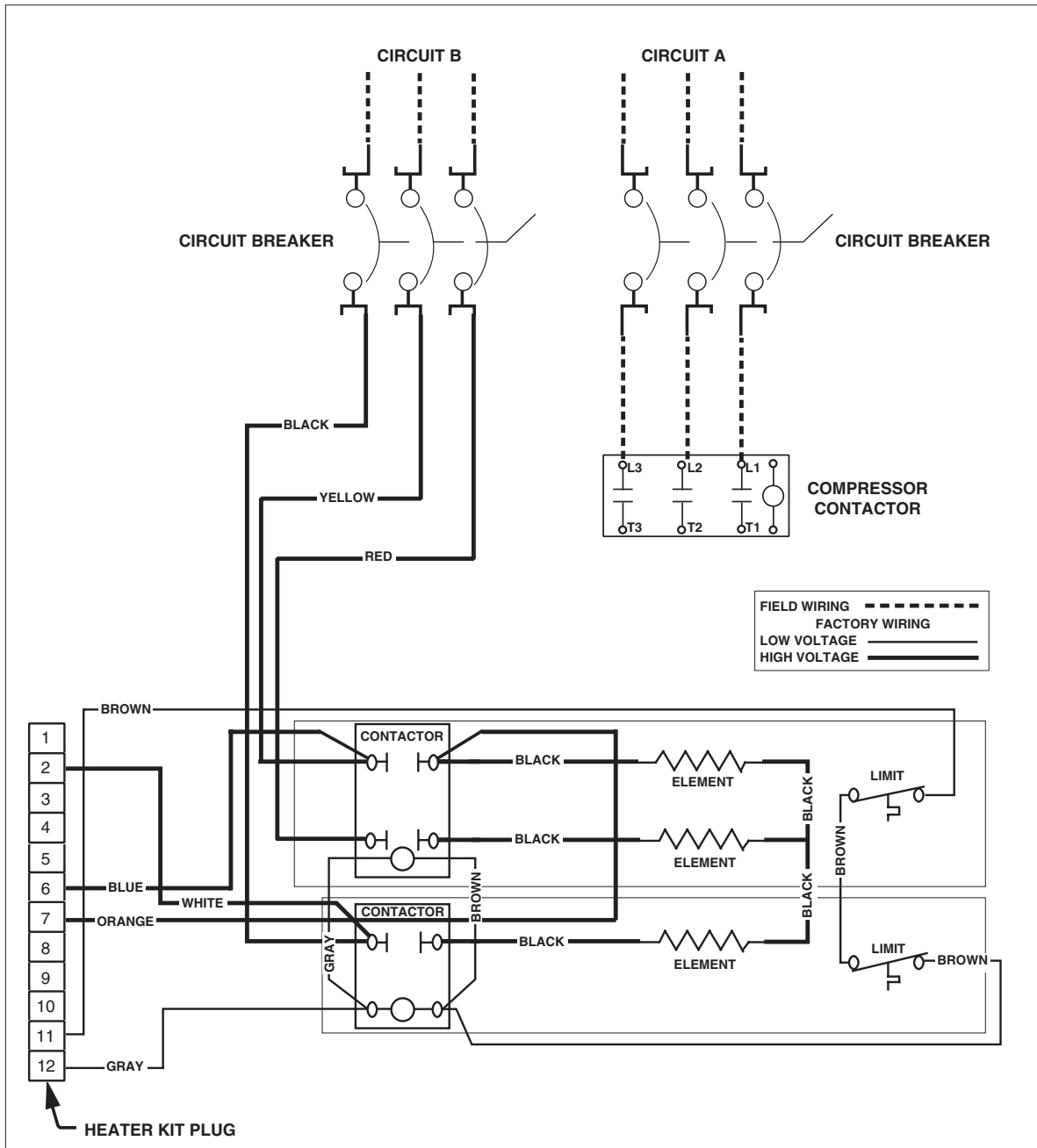


WD #11

3 PHASE, 460V
9 OR 15 KW, 2 CIRCUIT

APPLICATIONS INCLUDE:

- Q4SA - 036D (9 & 15 kw)
- Q4SA - 048D (9 & 15 kw)
- Q4SA - 060D (9 & 15 kw)
- P4SA - 036D (9 & 15 kw)
- P4SA - 048D (9 & 15 kw)
- P4SA - 060D (9 & 15 kw)



**INSTALLER
PLEASE LEAVE THESE INSTALLATION
INSTRUCTIONS WITH THE UNIT OWNER.**



708340B (Replaces 708340A)
Specifications and illustrations subject
to change without notice and without
incurring obligations. Printed in U.S.A. (05/06)