

## Light Commercial

# Installation Instructions

## High Static Blower Drive Kit 15 Ton Light Commercial Package System

### GENERAL

These instructions are primarily intended to assist qualified individuals experienced in the proper installation of heating and/or air conditioning appliances. Some local codes require licensed installation/service personnel for this type equipment and their accessories. All installations must be in accordance with these instructions and with all applicable national and local codes and standards.

### Packing List:

- (1) Variable Pitch Motor Pulley
- (1) Blower Pulley
- (1) Belt

Before beginning the installation, read these instructions thoroughly and follow all warnings and cautions in the instructions and on the unit.

---

### **WARNING!**

---

**Improper installation, service, adjustment, or maintenance can cause fire, electrical shock, or other conditions which may result in personal injury or property damage. Unless otherwise noted in these instructions, only factory authorized kits or accessories may be used when modifying this product.**

---

---

### INSTALLATION

1. Set indoor thermostat to “OFF” position.
2. **DISCONNECT ALL ELECTRICAL POWER TO UNIT.**
3. Through Blower/Motor Access Panel slightly loosen the four (4) bolts securing motor to the adjustable mounting base.
4. Release belt tension by turning adjustment bolt on motor mounting plate. Remove and discard belt.

**NOTICE TO INSTALLER:** Belt alignment is extremely critical for proper operation and life expectancy of belts and motor bearings. If not equipped with proper alignment tools, prior to removal of blower and motor pulley measure center of each pulley to a reference point for replacement of new pulleys.

5. Loosen blower pulley set screw or split taper bushing bolts. Remove and replace pulley securing

set screw or split taper bushing tightly to shaft key. Be careful not to install the pulley so far onto the shaft that the key and set screw are not in alignment or on the radius of the keyway.

6. Loosen motor pulley set screw. Remove and replace pulley securing set screw tightly to shaft key. NOTE: Second set screw for adjustable sheave setting may have to be loosened and pulley opened up before pulley will release from shaft. See unit installation instructions for sheave settings. Ensure adjustable portion of motor pulley is oriented towards end of shaft, not motor bearing. Be careful not to install the pulley so far onto the shaft that the key and set screw are not in alignment or on the radius of the keyway.
7. Mount new belt which came with kit and adjust tension. Ensure pulleys are in proper alignment with each other, shafts are parallel, and belt tension is proper. **DO NOT OVER TIGHTEN BELT CAUSING BEARING STRAIN.** As a result the unit could experience vibration and noise

problems. A deflection of about  $\frac{3}{4}$ " to 1" per foot of span should be obtained by pressing on the belt firmly. **See Figure 1.**

- Secure all four (4) motor bolts to adjustable mounting base ensuring shafts stay parallel with each other while tightening.

- Restore all electrical power to unit and check for proper operation of equipment.

**Motor Pulley** – The motor pulley is a variable pitch style pulley which allows blower speed adjustments over a wide range of applications. Refer to unit installation instructions for proper airflow settings.

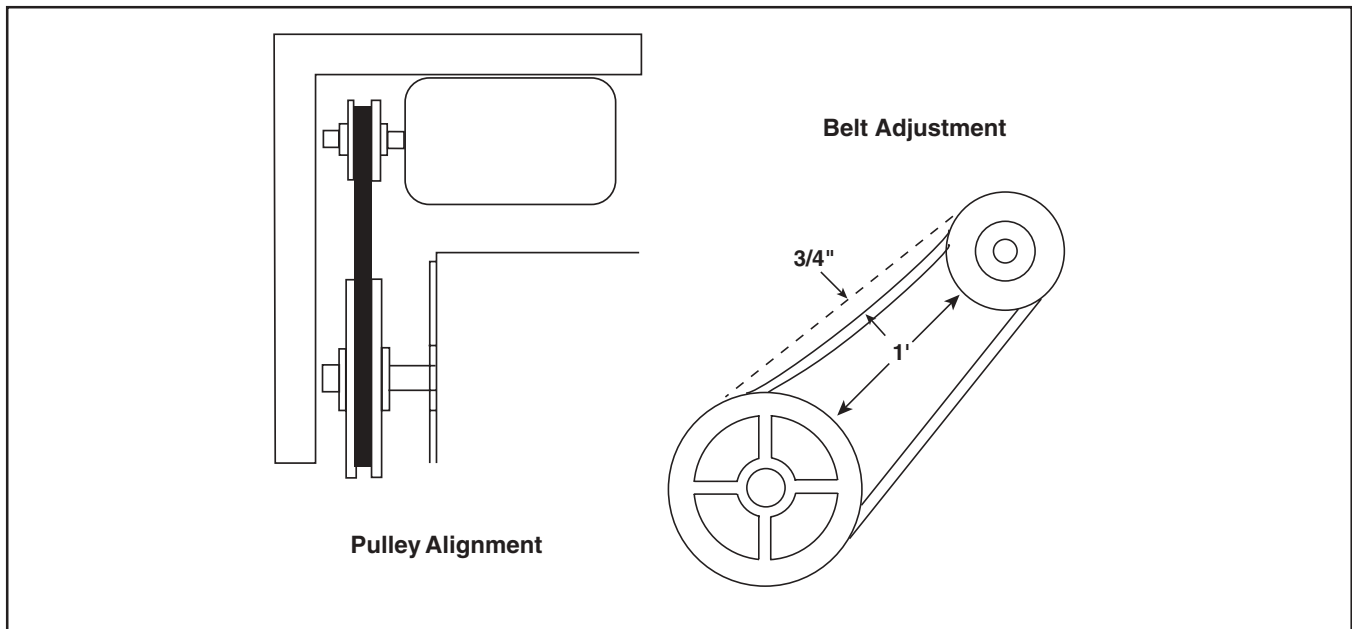


Figure 1. Belt Alignment and Tensioning

Maximum Ampacity and Overcurrent protection ratings may vary. See the unit rating plate for proper electrical ratings.

---

**INSTALLER: PLEASE LEAVE THESE INSTALLATION  
INSTRUCTIONS WITH THE OWNER**

---

