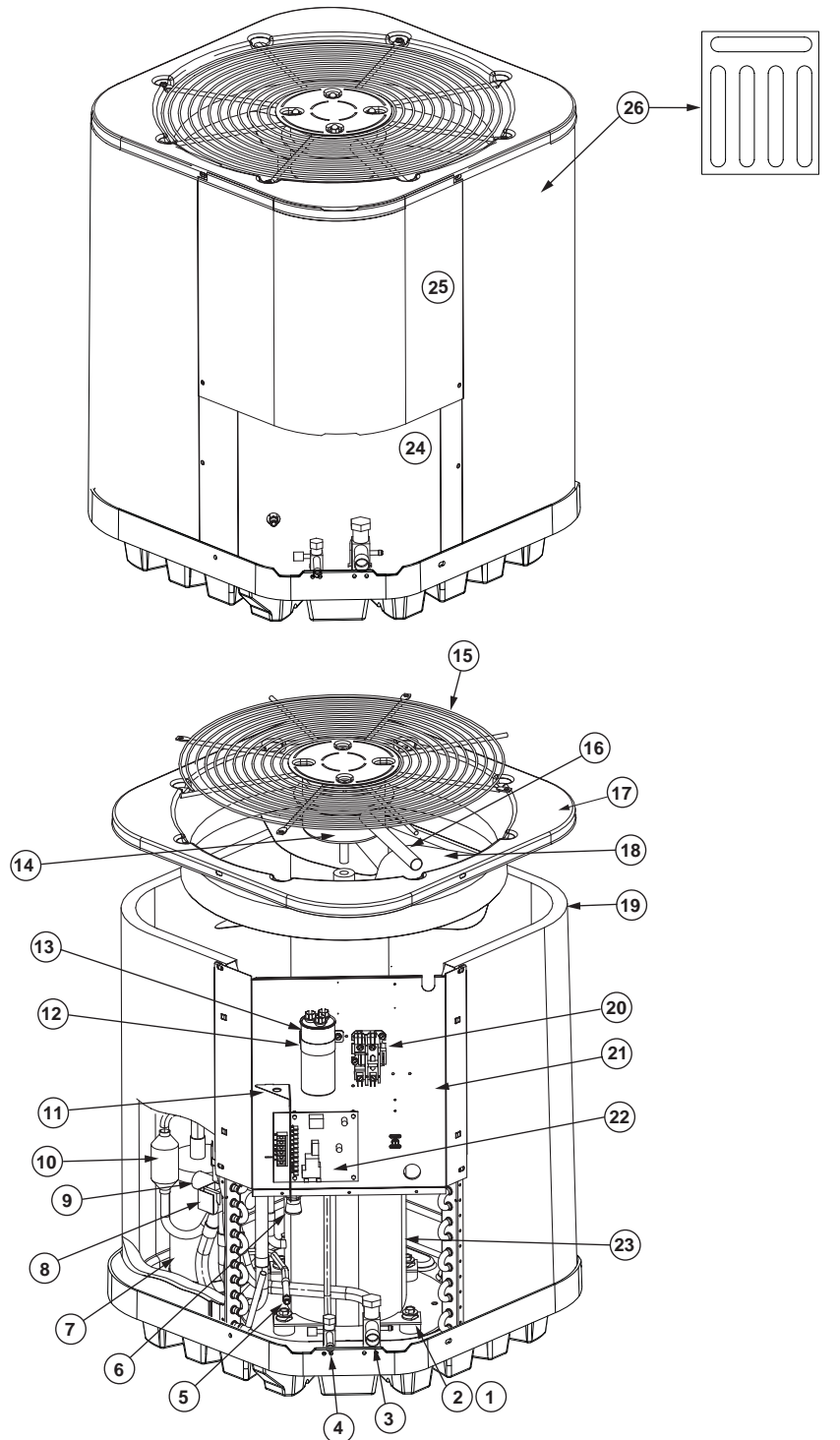


Residential Split System Heat Pump DT4BE Series 14 SEER Models

ITEM #	COMPONENT
1	Compressor Bolt
2	Compressor Grommet
3	Refrigerant Valve (LG)
4	Refrigerant Valve (SM)
5	Shrader Valve
6	Swivel Connector
7	Accumulator
8	Reversing Valve Coil
9	Reversing Valve
10	Muffler
11	Low Voltage Divider
12	Capactor Strap
13	Capacitor
14	Outdoor Fan Motor
15	Outdoor Fan Grille
16	Motor Wire Conduit
17	Top Pan </td
18	Outdoor Fan Blade
19	Outdoor Coil
20	Contacter
21	Control Box
22	Defrost Board
23	Compressor
24	Access Panel
25	Control Box Cover
26	Outdoor Coil Guard



DT4BE Series Residential Split System Heat Pump

COMPONENT	DT4BE-018K	DT4BE-024K	DT4BE-030K	DT4BE-036K	DT4BE-042K	DT4BE-048K	DT4BE-060K
	919660D	919661D	919662D	919663D	919664D	919665D	919666D
Access Panel	274016R	274016R	274016R	274016R	274016R	274016R	274016R
Accumulator	668853	668853	668853	668794	668854	668854	668854
Capacitor	01-0082	01-0083	01-0084	01-0085	01-0271	01-0271	01-0279
Compensator Tank	—	—	—	—	669422	669422	669422
Compressor	921421	921422	921424	921426	921463	921465	921468
Compressor Bolt	600426	600426	600426	600426	600426	600426	600426
Compressor Grommet	668530	668530	668530	668530	668530	668530	668530
Compressor Molded Plug	634660R	634660R	634660R	634660R	634660R	634660R	634660R
Contactora	624712	624712	624712	624712	624713	624713	624714
Control Box	2B7881	2B7881	2B7881	2B7881	2B7881	2B7881	2B7881
Control Box Cover	276921	276921	276921	276921	276921	276921	276921
Crankcase Heater	632410	632410	632410	632410	632410	632410	632410
Defrost Board	917178A	917178A	917178A	917178A	917178A	917178A	917178A
Defrost Sensor	626491R	626491R	626491R	626491R	626491R	626491R	626491R
Distributor	664718R	664718R	664718R	664718R	664719R	664719R	664719R
Filter Drier	669762	669762	669762	669762	669761	669761	669761
High Pressure Switch	632473R	632473R	632473R	632473R	632473R	632473R	632473R
Low Voltage Divider	258791	258791	258791	258791	258791	258791	258791
Motor Wire Conduit	664290	664290	664290	664290	664290	664290	664290
Muffler	669546R	669546R	669546R	669546R	669546R	669546R	669546R
Outdoor Coil** (For units produced on or after June 1 2012)	2C3331RD	2C3331RD	2C3331RD	2C3331RD	2C3341RD	2C3341RD	2C3341RD
Outdoor coil (For units produced before May 31 2012)	2B6001RD	2B6001RD	2B6001RD	2B6001RD	2B6041RD	2B6041RD	2B6041RD
Outdoor Coil Guard	275696R	275696R	275696R	275696R	275696R	275696R	275696R
Outdoor Fan Blade	667383	667383	667383	667383	667383	667383	667383
Outdoor Fan Grille	669202R	669202R	669202R	669202R	669202R	669202R	669202R
Outdoor Fan Motor	622656	622656	622656	622656	622656	622066	622066
Outdoor Fan Motor Controller	622469	622469	622469	622469	622469	—	—
Refrigerant Valve (LG)	663864R	663864R	663864R	663865R	663865R	663865R	663865R
Refrigerant Valve (SM)	664509R	664509R	664509R	664509R	664509R	664509R	664509R
Reversing Valve	669465R	669465R	669465R	M0079102	M0079102	M0079102	M0079102
Reversing Valve Coil	669470R	669470R	669470R	669937R	669937R	669937R	669937R
Schrader Fitting	664423	664423	664423	664423	664423	664423	664423

Please specify the correct Model No., Serial No., and part number(s) when ordering parts from the nearest authorized dealer or service center.

**Units built after 6/1/2012 have a different distributor and liquid valve and the outdoor restrictor is inside of the liquid service valve.

NORDYNE
COMPLETE COMFORT. GENUINE VALUE.

Specifications & illustrations subject to change without notice or incurring obligations.
O' Fallon MO | Printed in U.S.A (04/13)



708697E (Replaces 708697D)