

REPLACEMENT PARTS LIST

**M4RC and M4RL Series
 Single Stage Condensing Furnaces**

CONDENSING GAS FURNACE - 92.1% AFUE



**M4RC Upflow / Horizontal
 Furnace**

M4RL Downflow Furnace

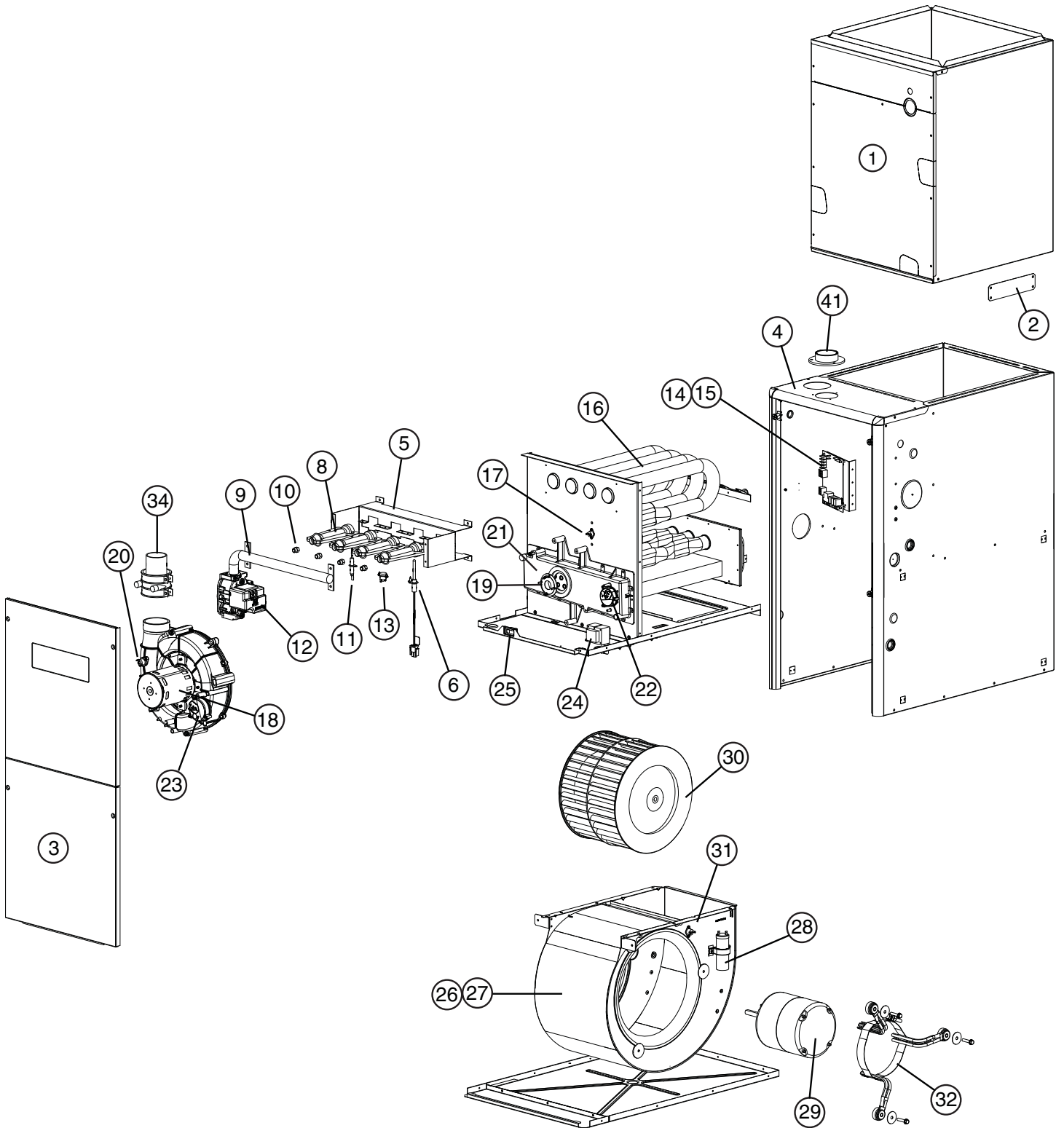
M4RC / M4RL 92.1% AFUE	Upflow / Horizontal Replacement Parts List.....	Page 2
	Upflow / Horizontal Component Location	Page 3
	Downflow Replacement Parts List.....	Page 4
	Downflow Component Location.....	Page 5

M4RC Upflow / Horizontal Replacement Parts List 92.1% AFUE

ITEM	DESCRIPTION	054D-24B	072D-35C	090D-35C	108D-45D
1	Cased Coil Wrapper	920259	920261	920261	920262
2	Attachment Bracket	265450	265450	265450	265450
3	Door Set	904768	904769	904769	904770
4	Top Panel	2B3552R	2B3553R	2B3553R	2B3554R
5	Burner Assembly	904927	904928	904929	904930
6	Ignitor Assembly - Nitride	921074	921074	921074	921074
7	Igniter Bracket (Not Shown)	299261	299261	299261	299261
8	Inshot Burner	660921	660921	660921	660921
9	Manifold, Burner Tube	664238	664239	664240	664241
10	Orifice, Main Burner, Nat	661047	661047	661047	661047
	Orifice, Main Burner, LP	661056	661056	661056	661056
11	Flame Sensor	632484	632484	632484	632484
12	Gas Valve	624610	624610	624610	624610
13	Roll-Out Switch	626558	626559	626559	626559
14	Control Board	920915	920915	920915	920915
15	Fuse	632261	632261	632261	632261
16	Heat Exchanger	904869	904870	904871	904791
17	Main Air Limit	626563	626563	626562	626563
18	Inducer Motor	904798	904798	904798	904798
19	Inducer Orifice	669712	669715	669717	Not Used
20	Inducer Limit	626557	626557	626557	626557
21	Outlet Header Box	904802	904803	904803	904804
22	Pressure Switch (condensate)	632491	632491	632491	632491
23	Pressure Switch (inducer)	632487	632493	632493	632493
24	Transformer	622341	622341	622341	622341
25	Door Switch	632125	632125	632125	632125
26	Blower Assembly	904682	904683	904684	904684
27	Blower Housing Assembly	297207R	297204R	297209R	297209R
28	Capacitor	622133	622135	622135	622135
29	Motor, Blower	904858	904859	904860	904860
30	Wheel, Blower	667258	667207	667280	667280
31	Blower Limit	626581	626581	626581	626581
32	Repl. Motor Mount Kit	904951	904980	904951	904951
33	Filter (Not Shown)	669784	669785	669785	669786
34	In-Line Drain Assembly	664435	664435	664435	664435
35	Drain Tube, Soft, 23" (Not Shown)	664434	664434	664434	664434
36	Drain Tube, Hard "J" (Not Shown)	663706	663706	663706	663706
37	Drain Tube, Soft, "J" 30" (Not Shown)	663707	663707	663707	663707
38	Tube, Soft, 6.5" (Not Shown)	663727	663727	663727	663727
39	Hose, High Temperature (Not Shown)	263967	263967	263967	263967
40	Set of Wires (Not Shown)	M0036003	M0036007	M0036007	M0036007
41	Finish Flange, Inlet Air	664491	664491	664491	664491

FOR COMPONENT LOCATIONS, SEE PAGE 3

M4RC Upflow / Horizontal Component Location

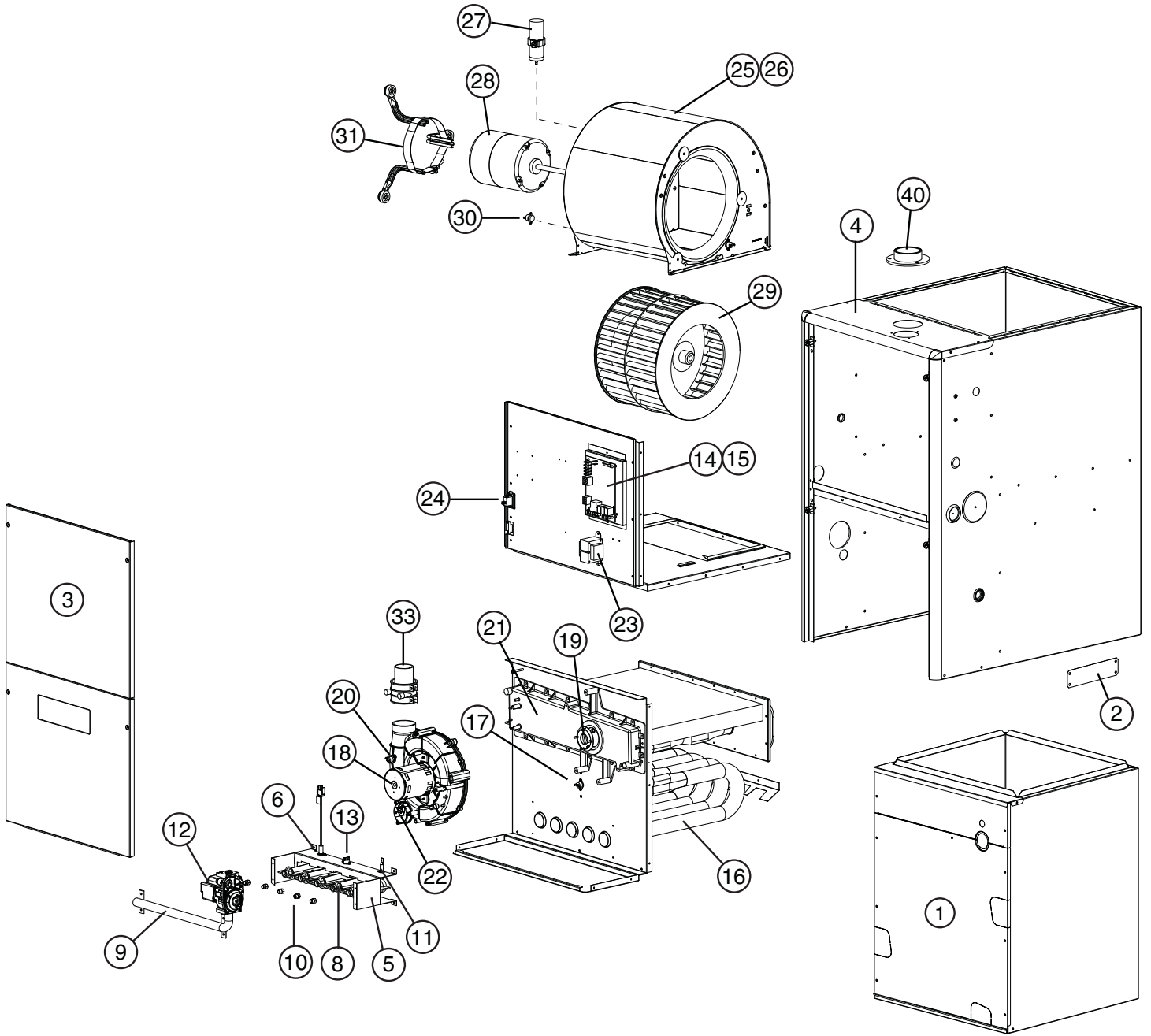


M4RL Downflow Replacement Parts List - 92.1% AFUE

ITEM	DESCRIPTION	090D-35C
1	Cased Coil Wrapper	920261
2	Attachment Bracket	265450
3	Door Set	904769
4	Top Panel	2B3563R
5	Burner Assembly	904929
6	Ignitor Assembly - Nitride	921074
7	Igniter Bracket (Not Shown)	299261
8	Inshot Burner	660921
9	Manifold, Burner Tube	664240
10	Orifice, Main Burner, Nat	661047
	Orifice, Main Burner, LP	661056
11	Flame Sensor	632484
12	Gas Valve	624610
13	Roll-Out Switch	626560
14	Control Board	920915
15	Fuse	632261
16	Heat Exchanger	904871
17	Main Air Limit	626562
18	Inducer Motor	904798
19	Inducer Orifice	669714
20	Inducer Limit	626557
21	Outlet Header Box	904803
22	Pressure Switch (inducer)	632487
23	Transformer	622341
24	Door Switch	632125
25	Blower Assembly	904684
26	Blower Housing Assembly	297209R
27	Capacitor	622135
28	Motor, Blower	904860
29	Wheel, Blower	667280
30	Blower Limit	626581
31	Repl. Motor Mount Kit	904951
32	Filter, 18" x 18" x 1" (Not Shown)	669779
33	In-Line Drain Assembly	664435
34	Drain Tube, Soft, 23" (Not Shown)	664434
35	Drain Tube, Hard "J" (Not Shown)	663706
36	Drain Tube, Soft, "J" 30" (Not Shown)	663707
37	Tube, Soft, 5.5" (Not Shown)	664520
38	Hose, High Temperature (Not Shown)	263967
39	Set of Wires (Not Shown)	M0036029
40	Finish Flange, Inlet Air	664491

FOR COMPONENT LOCATIONS, SEE PAGE 5

M4RL Downflow Component Location



NORDYNE
COMPLETE COMFORT. GENUINE VALUE.

O'Fallon, MO



708874D

708874D (Replaces 708874C)

Specifications and illustrations subject to change
without notice or incurring obligations.
Printed in U.S.A. (02/10)