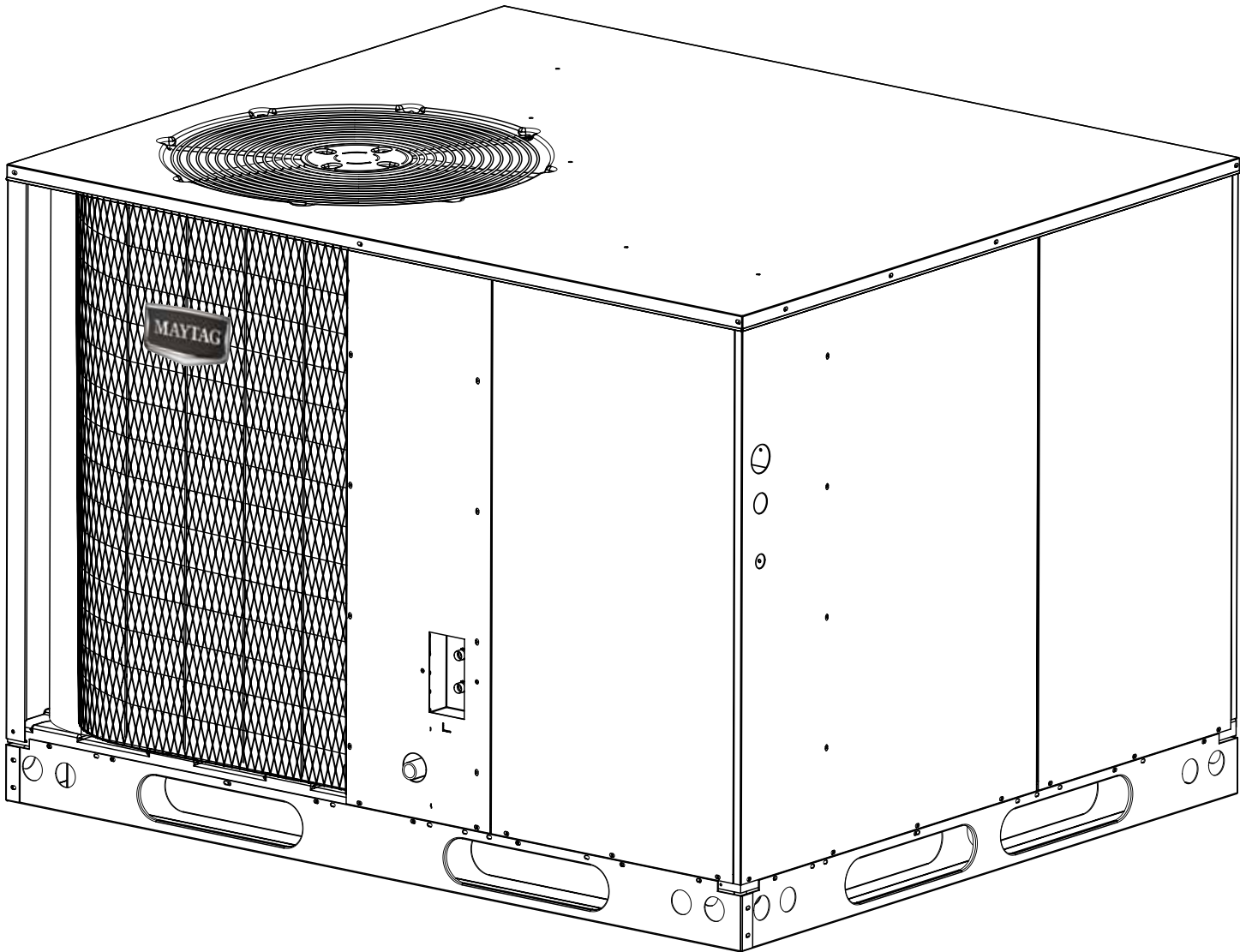


**Gas Heating / Electric Cooling Package Units
PPG2GD Series
13 SEER, Single Phase Models**



IMPORTANT

- This document is primarily intended to assist qualified individuals experienced in the proper repair or servicing of this appliance. Only factory authorized parts or accessory kits may be used with this product. Improper installation, service, adjustment, or maintenance may cause explosion, fire, electrical shock or other hazardous conditions which may result in personal injury or property damage.
- Some local codes require licensed installation / service personnel to service this type of equipment. Under no circumstances should the equipment owner attempt to install parts or service this equipment. Failure to comply with this warning could result in property damage, personal injury, or death.

PPG2GD Gas Heating / Electric Cooling Package Units

Single Phase Models

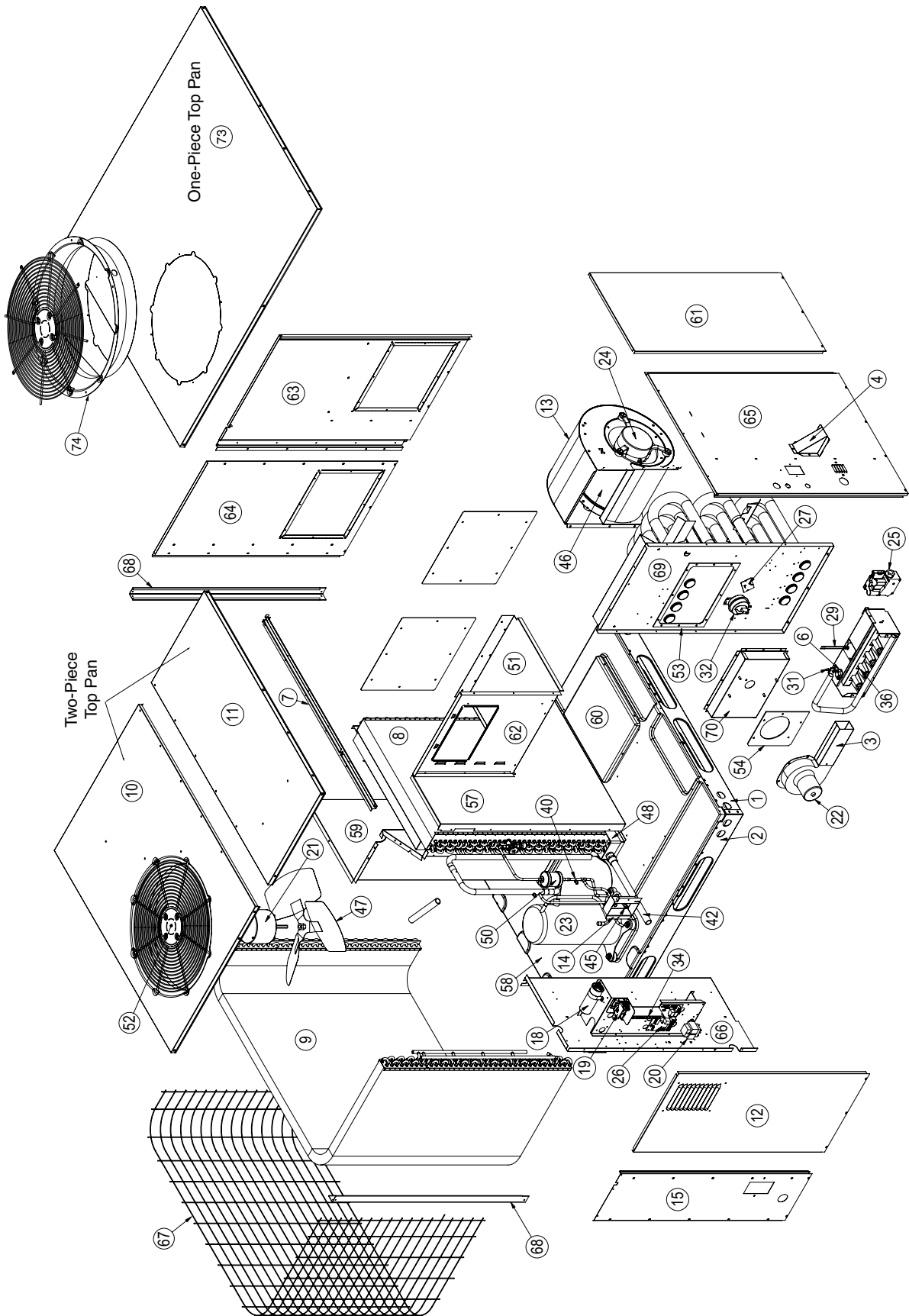
ITEM	DESCRIPTION	PPG2GD X24K045(*)	PPG2GD X24K072(*)	PPG2GD X30K045(*)	PPG2GD X30K072(*)	PPG2GD X36K072(*)	PPG2GD X36K096(*)	PPG2GD X42K072(*)	PPG2GD X42K096(*)	PPG2GD X48K096(*)	PPG2GD X48K120(*)	PPG2GD X60K096(*)	PPG2GD X60K120(*)
		919983P	919985P	919987P	919989P	919991P	919993P	919995P	919997P	920111P	920113P	920115P	920117P
1	RAIL, BASE, SHORT	277551	277551	277551	277551	277551	277551	277551	277551	277551	277551	277551	277551
2	RAIL, BASE, LONG	277552	277552	277552	277552	277552	277552	277552	277552	277552	277552	277552	277552
3	EXHAUST DUCT ASSY.	263420R	263420R	263420R	263420R	263420R	263420R	263420R	263420R	263420R	263420R	263420R	263420R
4	VENT COVER ASSY.	265040R	265040R	265040R	265040R	265040R	265040R	265040R	265040R	265040R	265040R	265040R	265040R
5	CAP, TOP, BRONZE(NOT SHOWN)	275291B	275291B	275291B	275291B	275291B	275291B	275291B	275291B	275291B	275291B	275291B	275291B
6	LIM, 1/2D, 1S, OR, 320, M, S, F	626547	626547	626547	626547	626547	626547	626547	626547	626547	626547	626547	626547
7	CHANNEL, DRAIN	279722	279722	279722	279722	279722	279722	279722	279722	279722	279722	279722	279722
8	COIL, INDOOR	283091R	283091R	283091R	283091R	D13001R	D13001R	D13001R	D13001R	D13011R	D13011R	283621R	283621R
9	COIL, OUTDOOR	287061R	287061R	287061R	287061R	287071R	287071R	287071R	287071R	287091R	287091R	287101R	287101R
10	TOP RIGHT PAN ASSY., BRONZE	292442R	292442R	292442R	292442R	292442R	292442R	292442R	292442R	292442R	292442R	292442R	292442R
11	TOP PAN ASSY-LEFT, BRONZE	293781BR	293781BR	293781BR	293781BR	293781BR	293781BR	293781BR	293781BR	293781BR	293781BR	293781BR	293781BR
12	SERVICE PANEL ASSY, BRONZE	296638B	296638B	296638B	296638B	296638B	296638B	296638B	296638B	296639B	296639B	296639B	296639B
13	BLOWER HSG ASSY, 9/10X10	297214	297214	297214	297214	297214	297214	297214	297214	297214	297214	—	—
	BLOWER HSG ASSY, 11X10	—	—	—	—	—	—	—	—	—	—	297219	297219
14	BRACKET, EXT. SERV PT, HI-FLOW, BRONZE	—	—	—	—	298551B	298551B	298551B	298551B	298551B	298551B	298551B	298551B
15	PANEL, FRONT, BRONZE	298892B	298892B	298892B	298892B	298892B	298892B	298892B	298892B	298893B	298893B	298893B	298893B
16	NUT, HEX, BLACK (NOT SHOWN)	606261	606261	606261	606261	606261	606261	606261	606261	606261	606261	606261	606261
17	NUTHN, H, 1/2-20X.313, BRASS (NOT SHOWN)	618084	618084	618084	618084	618084	618084	618084	618084	618084	618084	618084	618084
18	CAPACITOR, RUN 40/7.5/370	620888	620888	620888	620888	—	—	—	—	—	—	—	—
	CAPACITOR, RUN 45/7.5/370	—	—	—	—	621153	621153	621153	621153	—	—	—	—
	CAPACITOR, RUN 70/7.5/370	—	—	—	—	—	—	—	—	621944	621944	—	—
	CAPACITOR, RUN 80/7.5/370	—	—	—	—	—	—	—	—	—	—	621717	621717
19	CONTACTOR, 1 POLE 25A	621661	621661	621661	621661	—	—	—	—	—	—	—	—
	CONTACTOR, 1 POLE 35A	—	—	—	—	621662	621662	621662	621662	621662	621662	—	—
	CONTACTOR, 1 POLE 40A	—	—	—	—	—	—	—	—	—	—	621665	621665
20	TRANSFORMER 40 VA	621709	621709	621709	621709	621709	621709	621709	621709	621709	621709	621709	621709
21	FAN MOTOR, 1/4HP	621721	621721	621721	621721	621721	621721	621721	621721	621721	621721	621721	621721
22	INDUCER MOTOR	903162	903162	903162	903162	903162	903162	903162	903162	903162	903162	903162	903162
23	COMPRESSOR, ZP21K5E-PFV-130	919606	919606	—	—	—	—	—	—	—	—	—	—
	COMPRESSOR, ZP25K5E-PFV-130	—	—	918869	918869	—	—	—	—	—	—	—	—
	COMPRESSOR, ZP31K5E-PFV-130	—	—	—	—	918870	918870	—	—	—	—	—	—
	COMPRESSOR, ZP39K5E-PFV-130	—	—	—	—	—	—	919607	919607	—	—	—	—
	COMPRESSOR, ZP42K5E-PFV-130	—	—	—	—	—	—	—	—	918872	918872	—	—
COMPRESSOR, ZP54K5E-PFV-130	—	—	—	—	—	—	—	—	—	—	918873	918873	
24	MTR, BLOWER, PROG, 1/2HP	M0023918R	M0023918R	M0023918R	M0023918R	M0023905R	M0023905R	—	—	—	—	—	—
	MTR, BLOWER, PROG, 3/4HP	—	—	—	—	—	—	M0023906R	M0023906R	M0023912R	M0023912R	—	—
	MTR, BLOWER, PROG, 1HP	—	—	—	—	—	—	—	—	—	—	M0023909R	M0023909R
25	GAS VALVE	624657	624657	624657	624657	624657	624657	624657	624657	624657	624657	624657	624657
26	CONTROL BOARD	919943	919943	919943	919943	919943	919943	919943	919943	919943	919943	919943	919943
27	SWITCH, LIMIT (180/160)	626434	—	626434	—	—	—	—	—	—	—	—	—
	SWITCH, LIMIT (170/20)	—	626423	—	626423	626423	—	626423	—	—	—	—	—
	SWITCH, LIMIT(165/145)	—	—	—	—	—	626432	—	626432	626432	626432	626432	626432
28	FUSE, 3-AMP(NOT SHOWN)	632261	632261	632261	632261	632261	632261	632261	632261	632261	632261	632261	632261
29	IGNITOR-208/230	903179	903179	903179	903179	903179	903179	903179	903179	903179	903179	903179	903179
30	SWITCH, LOW PRESSURE (NOT SHOWN)	632393	632393	632393	632393	632393	632393	632393	632393	632393	632393	632393	632393
31	SENSOR, FLAME	632396	632396	632396	632396	632396	632396	632396	632396	632396	632396	632396	632396
32	SWITCH, PRESSURE, NO.1.20	—	632422	—	632422	632422	632422	632422	632422	632422	632422	632422	632422
	SWITCH, PRESSURE, NO.0.90	632424	—	632424	—	—	—	—	—	—	—	—	—
33	HEATER, CRANKCASE, 240V/40W (NOT SHOWN)	—	—	—	—	—	—	—	—	632509	632509	632509	632509
34	BLOCK, TERMINAL	632539	632539	632539	632539	632539	632539	632539	632539	632539	632539	632539	632539
35	PLUG, MOLDED, HV (NOT SHOWN)	634715	634715	634715	634715	634715	634715	634715	634715	634715	634715	634715	634715
36	BURNER, INSHOT	660812	660812	660812	660812	660812	660812	660812	660812	660812	660812	660812	660812
37	ORIFICE, MAIN BURNER, #43 (NOT SHOWN)	661043	661043	661043	661043	661043	661043	661043	661043	661043	661043	661043	661043
38	CORE, CHARGING PORT (NOT SHOWN)	662103	662103	662103	662103	662103	662103	662103	662103	662103	662103	662103	662103

Please specify Model No., Serial No, and the correct part number(s) when ordering parts from the nearest authorized dealer or service center.

PPG2GD Gas Heating / Electric Cooling Package Units Single Phase Models (Continued)

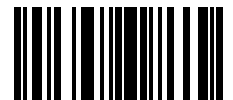
ITEM	DESCRIPTION	PPG2GD X24K045(*)	PPG2GD X24K072(*)	PPG2GD X30K045(*)	PPG2GD X30K072(*)	PPG2GD X36K072(*)	PPG2GD X36K096(*)	PPG2GD X42K072(*)	PPG2GD X42K096(*)	PPG2GD X48K096(*)	PPG2GD X48K120(*)	PPG2GD X60K096(*)	PPG2GD X60K120(*)
		919983P	919985P	919987P	919989P	919991P	919993P	919995P	919997P	920111P	920113P	920115P	920117P
39	DISTRIBUTOR, 3CIR(NOT SHOWN)	663913	663913	663913	663913	—	—	—	—	—	—	—	—
	DISTRIBUTOR, 5CIR(NOT SHOWN)	—	—	—	—	663582	663582	663582	663582	—	—	—	—
	DISTRIBUTOR, 6CIR(NOT SHOWN)	—	—	—	—	—	—	—	—	663584	663584	—	—
	DISTRIBUTOR, 8CIR(NOT SHOWN)	—	—	—	—	—	—	—	—	—	—	663586	663586
40	FITTING, ACCESS	663812	663812	663812	663812	663812	663812	663812	663812	663812	663812	663812	663812
41	CAP, SERVICE PORT, BRASS (NOT SHOWN)	663818	663818	663818	663818	663818	663818	663818	663818	663818	663818	663818	663818
42	DRAIN TUBE ASSY	663833	663833	663833	663833	663833	663833	663833	663833	663833	663833	663833	663833
43	THERMAL EXPANSION VALVE, ID (NOT SHOWN)	664272	664272	664272	664272	664349	664349	664349	664349	664350	664350	664275	664275
44	CORE, PORT, HI FLOW, BRASS (NOT SHOWN)	664331	664331	664331	664331	664331	664331	664331	664331	664331	664331	664331	664331
45	FITTING, PANEL MNT, HI-FLOW, 3/8"	664393	664393	664393	664393	664393	664393	664393	664393	664393	664393	664393	664393
46	WHEEL, BLOWER 10 X 10	667207	667207	667207	667207	667207	667207	667207	667207	667207	667207	—	—
	WHEEL, BLOWER 11 X 10	—	—	—	—	—	—	—	—	—	—	667260	667260
47	FAN BLADE	667278	667278	667278	667278	667278	667278	667278	667278	667278	667278	667278	667278
48	PAN, DRAIN	669190	669190	669190	669190	669190	669190	669190	669190	669190	669190	669190	669190
49	REPLACEMENT HAIL GUARD KIT (NOT SHOWN)	917206	917206	917206	917206	917206	917206	917206	917206	917206	917206	917206	917206
50	DRIER, FILTER, UNIFLOW, 8 IN^3	669378	669378	669378	669378	669378	669378	669378	669378	669378	669378	669378	669378
51	BLOWER SHELF	283932	283932	283932	283932	283932	283932	283932	283932	283932	283932	283932	283932
52	GRILLE, TOP-24"BLACK	669404	669404	669404	669404	669404	669404	669404	669404	669404	669404	669404	669404
53	GASKET, COLLECTOR PAN	689506	689506	689506	689506	689506	689506	689506	689506	689506	689506	689506	689506
54	GASKET, INDUCER	689518	689518	689518	689518	689518	689518	689518	689518	689518	689518	689518	689518
55	SOUND BLANKET (NOT SHOWN)	689791	689791	689791	689791	689792	689792	689792	689792	689792	689792	689792	689792
56	PAINT, TOUCH-UP, BRONZE	904038	904038	904038	904038	904038	904038	904038	904038	904038	904038	904038	904038
57	PANEL, HEAT EX.DIVIDER	D05072	D05072	D05072	D05072	D05072	D05072	D05072	D05072	D05073	D05073	D05073	D05073
58	BOTTOM PAN ASSY.	D05480R	D05480R	D05480R	D05480R	D05480R	D05480R	D05480R	D05480R	D05480R	D05480R	D05480R	D05480R
59	DIVIDER PANEL ASSY.	D05502R	D05502R	D05502R	D05502R	D05502R	D05502R	D05502R	D05502R	D05503R	D05503R	D05503R	D05503R
60	DUCT CAP ASSY.	D05530R	D05530R	D05530R	D05530R	D05530R	D05530R	D05530R	D05530R	D05530R	D05530R	D05530R	D05530R
61	BLOWER PANEL ASSY, BRONZE	D05542BR	D05542BR	D05542BR	D05542BR	D05542BR	D05542BR	D05542BR	D05542BR	D05543BR	D05543BR	D05543BR	D05543BR
62	PANEL, BLOWER DISCHARGE	281493	281493	281493	281493	281493	281493	281493	281493	281493	281493	281493	281493
63	SUPPLY PANEL ASSY., BRONZE	D05552BR	D05552BR	D05552BR	D05552BR	D05552BR	D05552BR	D05552BR	D05552BR	D05553BR	D05553BR	D05553BR	D05553BR
64	RETURN PANEL ASSY, BRONZE	D05565BR	D05565BR	D05565BR	D05565BR	D05565BR	D05565BR	D05565BR	D05565BR	D05566BR	D05566BR	D05566BR	D05566BR
65	CORNER PANEL ASSY, 34"	D05628BR	D05628BR	D05628BR	D05628BR	D05628BR	D05628BR	D05628BR	D05628BR	D05629BR	D05629BR	D05629BR	D05629BR
66	PANEL, CLOSE-OFF ASSY.	D05682R	D05682R	D05682R	D05682R	D05682R	D05682R	D05682R	D05682R	D05683R	D05683R	D05683R	D05683R
67	GUARD, COIL(FORMED), BLACK	D09373B	D09373B	D09373B	D09373B	D09373B	D09373B	D09373B	D09373B	D09374B	D09374B	D09374B	D09374B
68	CORNER POST, BRONZE	D09996BR	D09996BR	D09996BR	D09996BR	D09996BR	D09996BR	D09996BR	D09996BR	D09997BR	D09997BR	D09997BR	D09997BR
69	HEAT EXCH. PANEL ASSY, 2, 34"	D10304R	—	D10304R	—	—	—	—	—	—	—	—	—
	HEAT EXCH PANEL ASSY, 3, 34"	—	293334	—	293334	293334	—	293334	—	—	—	—	—
	HEAT EXCH. PANEL ASSY, 4, 34"	—	—	—	—	—	D10306R	—	D10306R	—	—	—	—
	HEAT EXCH. PANEL ASSY, 4, 38"	—	—	—	—	—	—	—	—	D10308R	—	D10308R	—
	HEAT EXCH. PANEL ASSY, 5, 38"	—	—	—	—	—	—	—	—	—	D10309R	—	D10309R
70	COLLECTOR PAN ASSY, WO RETAINER	—	—	—	—	—	D10323R	—	D10323R	D10323R	D10324R	D10323R	D10324R
	COLLECTOR PAN ASSY, WO RET, 1"	D10325R	—	D10325R	—	—	—	—	—	—	—	—	—
	COLLECTOR PAN ASSY, 1.25"	—	D10326R	—	D10326R	D10326R	—	D10326R	—	—	—	—	—
71	SET OF WIRES (NOT SHOWN)	M0038344R	M0038344R	M0038344R	M0038344R	M0038344R	M0038344R	M0038344R	M0038344R	M0038344R	M0038344R	M0038344R	M0038344R
72	SWITCH, HIGH PRESSURE (NOT SHOWN)	632401	632401	632401	632401	632401	632401	632401	632401	632401	632401	632401	632401
73	ONE-PIECE TOP PAN KIT (ORIFICE INCLUDED)	M003472S	M003472S	M003472S	M003472S	M003472S	M003472S	M003472S	M003472S	M003472S	M003472S	M003472S	M003472S
74	DROP-IN ORIFICE	263210B	263210B	263210B	263210B	263210B	263210B	263210B	263210B	263210B	263210B	263210B	263210B

Please specify Model No., Serial No., and the correct part number(s) when ordering parts from the nearest authorized dealer or service center.



NORDYNE
 COMPLETE COMFORT. GENUINE VALUE.

Specifications & illustrations subject to change without notice or incurring obligations.
 O'Fallon MO | Printed in U.S.A (05/11)



708890A (Replaces 7088900)