

USER'S MANUAL

NON-CONDENSING GAS FURNACES

80+ AFUE



***SA Upflow / Horizontal Furnaces**



***SK Downflow Furnaces**

CONDENSING GAS FURNACES

92.1% AFUE



***SC Upflow / Horizontal Furnaces**



***SL Downflow Furnaces**

95% - 97% AFUE



***SD, *SD-E, *TC, *MQ Upflow / Horizontal Furnaces**



***SM & *TL Downflow Furnaces**

⚠ WARNING

FIRE OR EXPLOSION HAZARD

- Failure to follow safety warnings exactly could result in serious injury or property damage.
- Installation and service must be performed by a qualified installer, service agency or the gas supplier.
- Do not store or use gasoline or other flammable vapors and liquids in the vicinity of this or any other appliance.

WHAT TO DO IF YOU SMELL GAS

- Do not try to light any appliance.
- Do not touch any electrical switch; do not use any phone in your building.
- Leave the building immediately.
- Immediately call your gas supplier from a neighbors phone. Follow the gas suppliers instructions.
- If you cannot reach your gas supplier, call the fire department.

DO NOT DESTROY. PLEASE READ CAREFULLY & KEEP IN A SAFE PLACE FOR FUTURE REFERENCE.

TABLE OF CONTENTS

IMPORTANT SAFETY INFORMATION.....	4
GAS SUPPLY & PIPING	4
VENTING SYSTEM.....	4
CLEARANCES TO COMBUSTIBLES	5
SOURCES OF CORROSION.....	5
FILTER	5
FLOOD DAMAGE.....	5
IMPORTANT SAFETY INFORMATION.....	5
ABOUT THE FURNACE	6
INTRODUCTION	6
CATEGORY I (NON-CONDENSING) FURNACES	6
CATEGORY IV (CONDENSING) FURNACES.....	6
FILTER	6
THERMOSTAT	6
FURNACE LOCATION.....	6
COMPONENT LOCATIONS FOR NON-CONDENSING TYPE FURNACES	7
COMPONENT LOCATIONS FOR CONDENSING TYPE FURNACES	8
STARTUP & SHUTDOWN.....	10
STARTING THE FURNACE.....	10
SHUTTING DOWN THE FURNACE	10
TROUBLESHOOTING.....	10
MAINTENANCE & INSPECTION	11
FURNACE & AIR DUCTS	11
VENTING SYSTEM.....	11
BLOWER & FILTER	11
BURNER OPERATION	11
NEW CONSTRUCTION	11

IMPORTANT SAFETY INFORMATION

Safety markings are used frequently throughout this manual to designate a degree or level of seriousness and should not be ignored. **WARNING** indicates a potentially hazardous situation that if not avoided, could result in personal injury or death. **CAUTION** indicates a potentially hazardous situation that if not avoided, may result in minor or moderate injury or property damage.

WARNING:

The safety information listed below must be followed during the installation, service, and operation of this furnace. Failure to follow safety recommendations could result in possible damage to the equipment, serious personal injury, or death.

WARNING:

PROPOSITION 65 WARNING: This product contains chemicals known to the state of California to cause cancer, birth defects or other reproductive harm.

WARNING:

This furnace is not approved for installation in mobile homes. Installing this furnace in a mobile home could cause fire, property damage, and/or personal injury.

GAS SUPPLY & PIPING

WHAT TO DO IF YOU SMELL GAS

- Do not try to light any appliance.
- Do not touch any electrical switch; do not use any phone in your building.
- Leave the building immediately.
- Immediately call your gas supplier from a neighbors phone. Follow the gas suppliers instructions.
- If you cannot reach your gas supplier, call the fire department.

Installation and service must be performed by a qualified installer, service agency or the gas supplier.

This furnace does not have a pilot. It is equipped with an ignition device which automatically lights the burner. **DO NOT** light the burner by hand.

IMPORTANT NOTE

If the gas supply fails to shut off or if overheating occurs, shut off the gas valve to the furnace before shutting off the electrical supply!

WARNING:

The furnace was shipped from the factory equipped to operate on natural gas. Conversion to LP/propane gas must be performed by a licensed HVAC technician using a factory supplied conversion kit. Failure to use the proper conversion kit can cause fire, explosion, property damage, carbon monoxide poisoning, personal injury, or death.

WARNING:

All gas piping and shutoff valves must be installed in compliance with local codes and utility regulations by licensed installers. **DO NOT** attempt to modify, or tap into existing gas lines yourself. Fire or explosion may result causing property damage, personal injury or loss of life. Failure to follow the safety warnings exactly could result in serious injury, death or property damage.

VENTING SYSTEM

WARNING:

It is imperative to maintain proper operation of the venting system, including the masonry chimney (if applicable). Insufficient venting could create the production of excessive amounts of Carbon Monoxide (CO) - a colorless, odorless gas that is produced during incomplete combustion of any fuel. It can cause death without warning. Carbon monoxide poisoning can cause flu-like symptoms and also dizziness, fatigue, headaches, nausea, and irregular breathing.

If you suspect that you are experiencing CO poisoning, get fresh air immediately. Leave the home and call for assistance from a neighbor's home.

- The U.S. Consumer Product Safety Commission (CPSC) recommends every home have a Carbon Monoxide detector in hallways near the bedrooms in each sleeping area. CO detectors should be certified to the most recent requirements of the UL, IAS OR CSA Standard and should be installed, operated, and maintained in accordance with the detector manufacturers instructions.

IMPORTANT SAFETY INFORMATION

CAUTION:

This furnace requires unrestricted airflow for combustion and ventilation. For proper and safe operation, it is extremely important that the furnace receives an unobstructed flow of clean, fresh air to properly burn the fuel gas. If this flow of air is restricted, the partially burned combustion gases may create dangerous amounts of carbon monoxide that can cause personal injury or death.

- Do not block or obstruct air openings on the furnace, air openings or spacings around the furnace area or the room or closet the furnace is in. Furniture and drapery should be arranged so that the supply air registers and return grilles are not obstructed.
- If your furnace obtains its air through a pipe to the outdoors, do not allow the inlet of the pipe to become blocked. If the furnace is operated without adequate air for combustion, the flame roll-out switch will open, turning off the gas supply to the burners. This indicates that a serious problem with the burners has occurred and must be corrected immediately. Only a licensed HVAC technician can reset this switch.
- Before remodeling near the furnace, consult with a local code official or the National Fuel Gas Code to make sure you will be in compliance with supplying adequate air for combustion. By erecting new walls, it is sometimes possible to inadvertently restrict the furnace's air supply. You can find more information about supplying combustion air in the NFGC, which is available at many libraries.

CLEARANCES TO COMBUSTIBLES

WARNING:

Do not place combustible materials on or against the furnace cabinet or within 6 inches of the vent pipe. Furnace area must be kept clear and free of combustible materials, gasoline and other flammable vapors and liquids. A fire or explosion may result causing property damage, personal injury or loss of life. Failure to follow the safety warnings exactly could result in serious injury, death or property damage.

The furnace is designed to have certain clearances to combustible items such as wood, paper, etc. Some types of insulation are combustible. If your furnace is installed in an attic, near unfinished walls, or in other insulated space, keep area surrounding the furnace free of insulating material.

SOURCES OF CORROSION

It is known that certain common household chemicals can cause heat exchanger corrosion if the vapors are pulled into the furnace's burners. The following is a list of chemicals that should not be used or stored near the furnace.

Do not store these chemicals near the furnace:

- Permanent wave solutions
- Chlorinated waxes and cleaners
- Chlorine based swimming pool chemicals
- Water softening chemicals
- De-icing salts or chemicals
- Carbon tetrachloride
- Halogen type refrigerants
- Cleaning solvents (perchloroethylene)
- Printing inks, paint removers, varnishes, etc.
- Hydrochloric acid
- Cements and glues
- Antistatic fabric softeners
- Masonry acid washing materials

FILTER

WARNING:

Never operate the furnace without a filter in place. Accumulating dust in the return air can build up on internal components, resulting in loss of efficiency, equipment damage, and possible fire.

Keep air filters cleaned. Clean or replace filter to maintain proper airflow and achieve maximum efficiency. Refer to page 11 for Maintenance & Inspection information.

FLOOD DAMAGE

WARNING:

Do not use this furnace if any part has been under water. A flood damaged furnace is extremely dangerous. Attempts to use the furnace can result in fire or explosion. A qualified service agency should be contacted to inspect the furnace and to replace all gas controls, control system parts, electrical parts that have been wet or the furnace if deemed necessary.

ABOUT THE FURNACE

INTRODUCTION

Congratulations on the purchase on your new furnace! With our dedication to quality, superior reliability, and outstanding warranty, we know you will be pleased with this new appliance. This furnace has been designed and built to provide many years of safe and dependable home comfort, providing it is properly installed and regular maintenance has been performed. Improper use or insufficient maintenance can shorten the life of the furnace and result in serious personal injury or property damage. Please read this manual thoroughly and familiarize yourself with the safety, operation and maintenance procedures for this furnace. **DO NOT DESTROY THIS MANUAL. KEEP IN A SAFE PLACE FOR FUTURE REFERENCE.**

Your furnace is designed to fulfill the requirements of being classified as either a Category I or Category IV furnace. These classifications are related to the furnace's Annual Fuel Utilization Efficiency (AFUE) rating, the percentage of fuel that is converted into usable heating energy.

The furnace components shown on pages 7 - 9 will help to identify and locate various parts of the furnace. The component you need to familiarize yourself with is the gas valve. You will use this to turn the furnace on and off. **There are no user serviceable parts. All repairs must be performed by a licensed HVAC technician.**

Category I (Non-Condensing) Furnaces

These furnaces typically have an AFUE rating of about 80% and may be vented through a properly designed metal vent or masonry chimney. This venting system needs to be primarily vertical, so that the hot combustion products will develop a natural upwards draft action.

Category IV (Condensing) Furnaces

Category IV furnaces typically have an AFUE rating over 90% and are mainly vented through plastic PVC pipe. These furnaces also produce liquid condensate which is slightly acidic. The vent pipe must be sloped upwards away from the furnace to properly drain the condensate back to the condensate disposal system.

- Condensing type furnaces require condensate drain lines to be properly installed by the installer. Depending on your configuration, the drain lines may be routed out the left or right sides of the furnace. These drain lines must maintain a downward slope to ensure proper condensate drainage.
- Condensate must flow freely during furnace operation. The homeowner must make sure the condensate drain lines do not become blocked, pinched or crushed.
- If the furnace is installed in an area where temperatures fall below freezing, special precautions must be made for insulating condensate drain lines that drain to the outdoors. **If condensate freezes in the lines, this will cause the condensate drain switch to shut down the furnace.**

FILTER

WARNING:

Never operate the furnace without a filter in place. Accumulating dust in the return air can build up on internal components, resulting in loss of efficiency, equipment damage, and possible fire.

- **Air filter(s) are not supplied with the furnace as shipped from the factory.** The installer must provide a high velocity filter and rack for a filter in the return air duct adjacent to the furnace, or in a return air grill to the furnace.
- The furnace should always have a clean filter located either at the air return on the furnace or in an air return register. If the filter becomes dirty, it should be cleaned or replaced.
- New or newly renovated homes may require more frequent changing until the construction dust has minimized. Filters designed to remove smaller particles such as pollen, may require additional maintenance.
- Always reinstall the doors on the furnace after servicing or cleaning/changing the filters. **Do not operate the furnace without all doors and covers in place.**

THERMOSTAT

This family of furnaces includes single stage, two-stage and modulating capabilities. These different capabilities require different thermostats to reach their best performance.

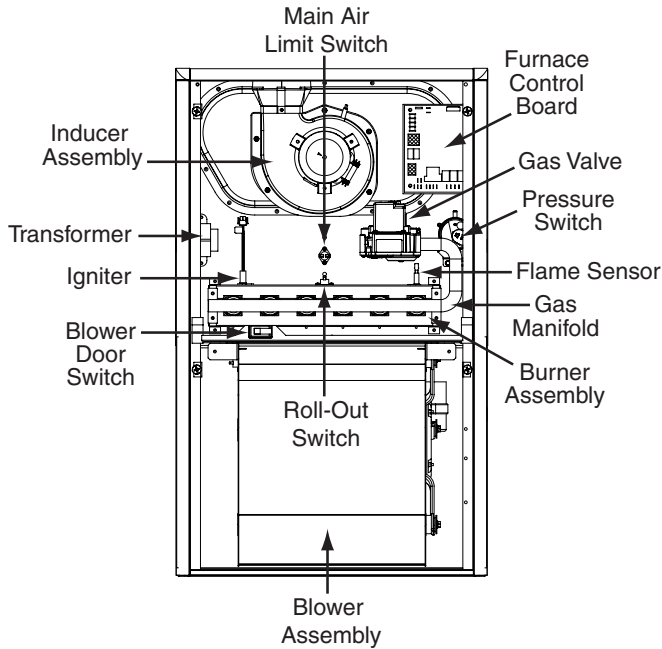
- Single stage furnaces (SA, SK, SC, SL, SD, SD-E, & SM models) should be controlled by a conventional single stage thermostat.
- Two-stage furnaces (TA, TK, TC & TL models) will perform best with a conventional two - stage thermostat. **NOTE:** It is possible to control two-stage furnaces with a single stage thermostat. Consult with your installer about which type is best for your installation. Both thermostats are commonly available at your local building supply store.
- Modulating (MQ) furnaces will not work with a conventional thermostat and must be controlled by an iQ thermostat, available through your dealer.

FURNACE LOCATION

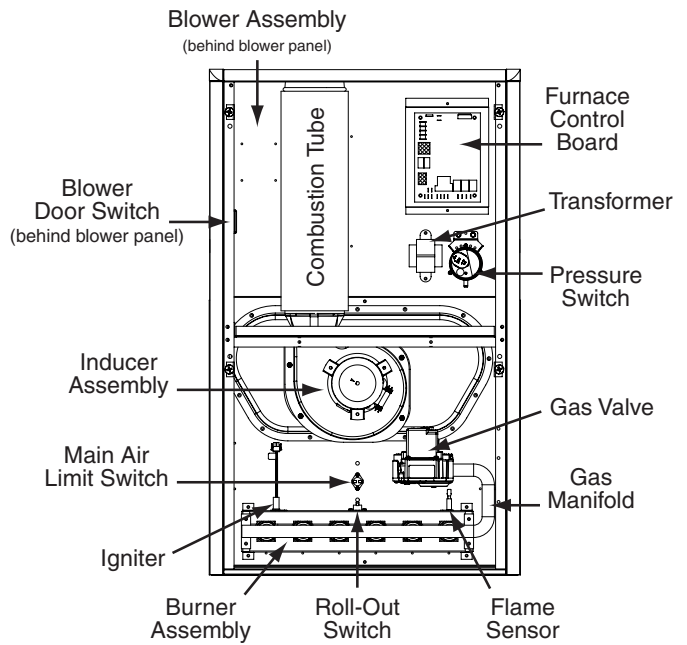
If a furnace is installed in relatively small utility room or closet, the installation needs openings in the walls or door to let combustion air in. Make sure that these openings remain unobstructed. Do not modify these openings in any way without consulting a licensed HVAC technician.

COMPONENT LOCATIONS FOR NON-CONDENSING TYPE FURNACES

Single Stage Models

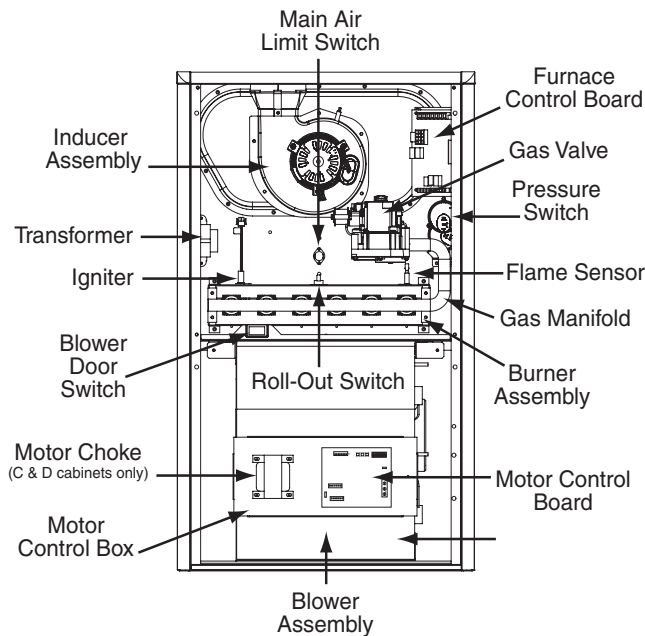


***SA 80+ Upflow / Horizontal Gas Furnace**

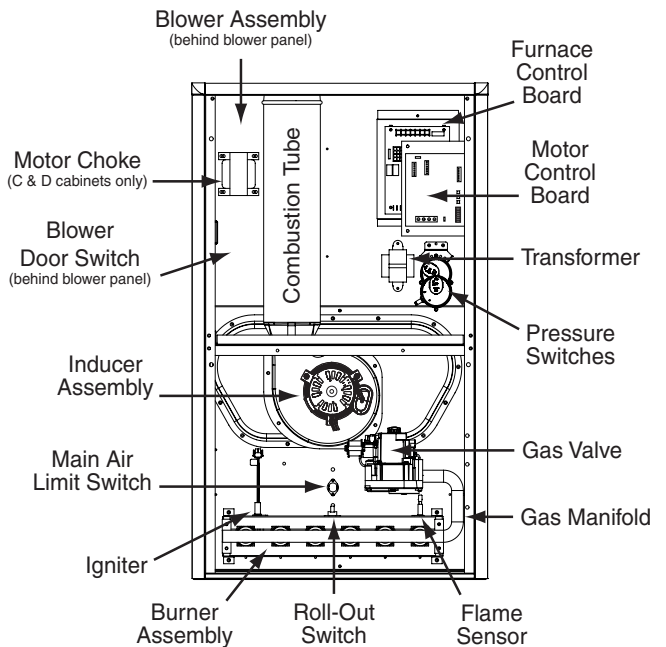


***SK 80+ Downflow Gas Furnace**

2- Stage Models



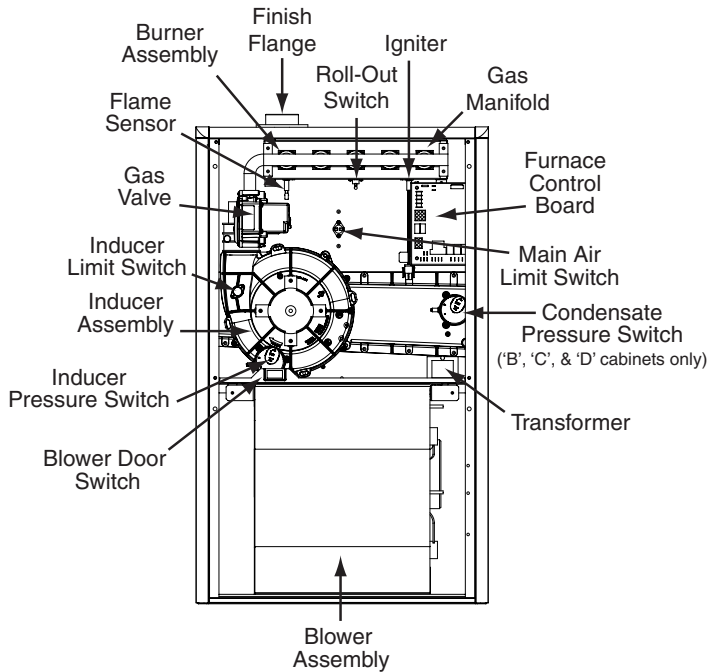
***TA 80+ Upflow / Horizontal Gas Furnace**



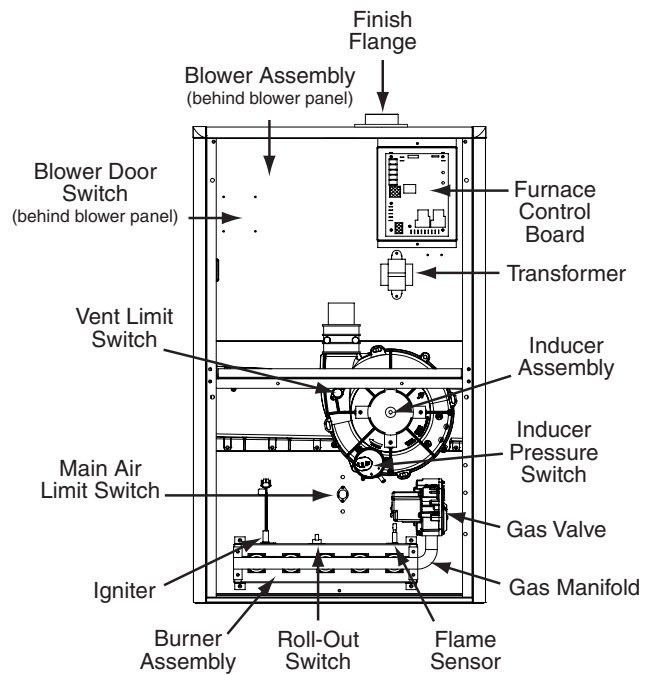
***TK 80+ Downflow Gas Furnace**

COMPONENT LOCATIONS FOR CONDENSING TYPE FURNACES

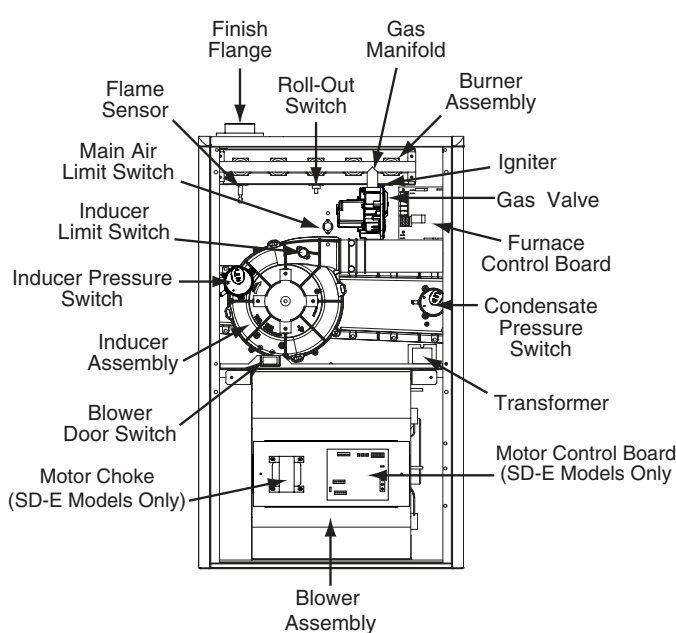
Single Stage Models



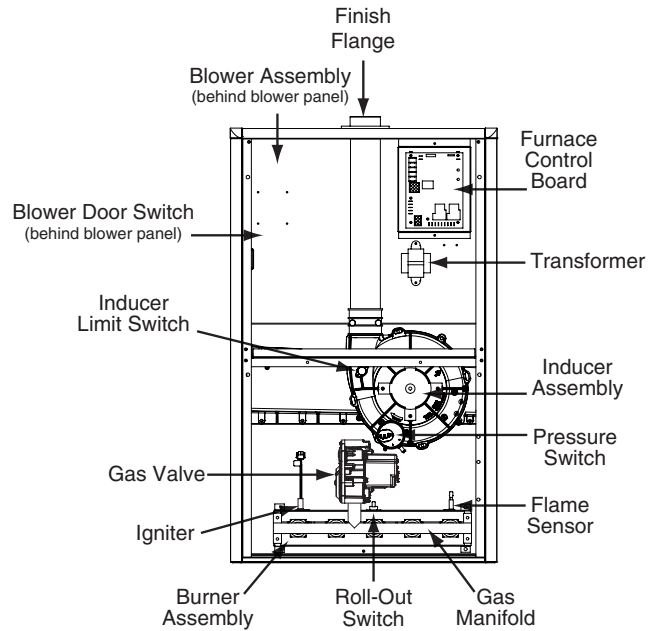
***SC 92.1% Upflow / Horizontal Gas Furnace**



***SL 92.1% Downflow Gas Furnace**

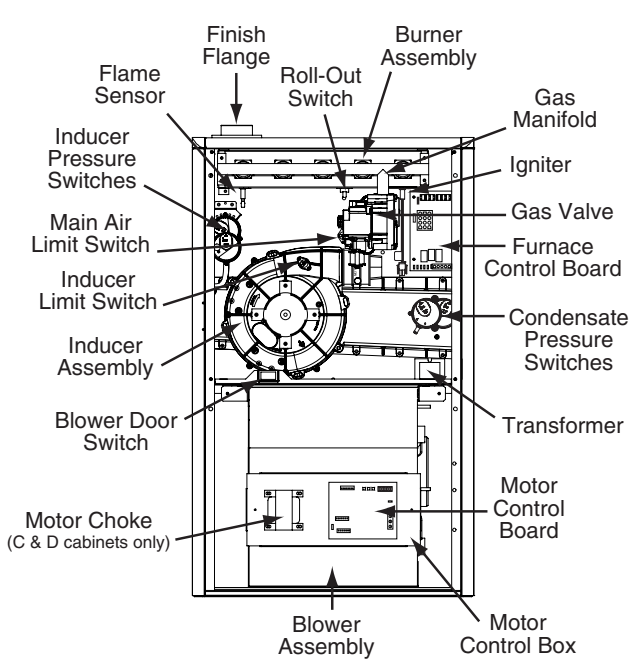


***SD & *SD-E 95.0% Upflow / Horizontal Gas Furnace**

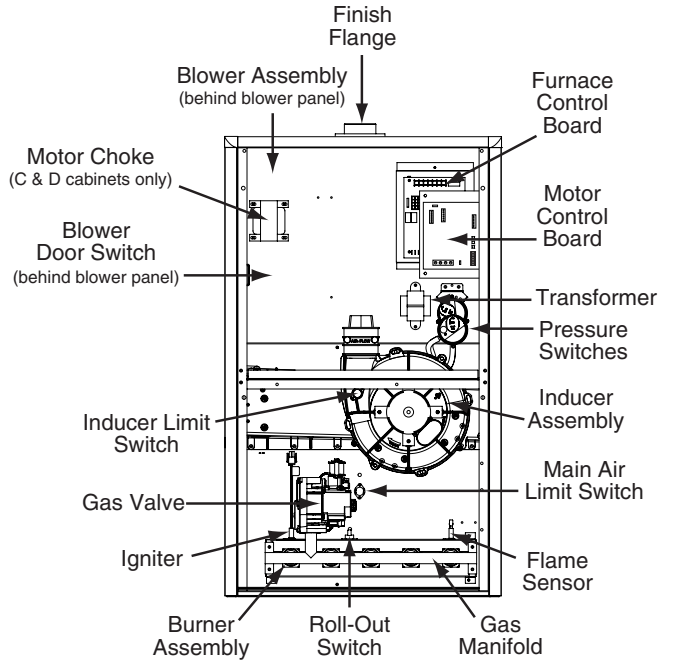


***SM 95.0% Downflow Gas Furnace**

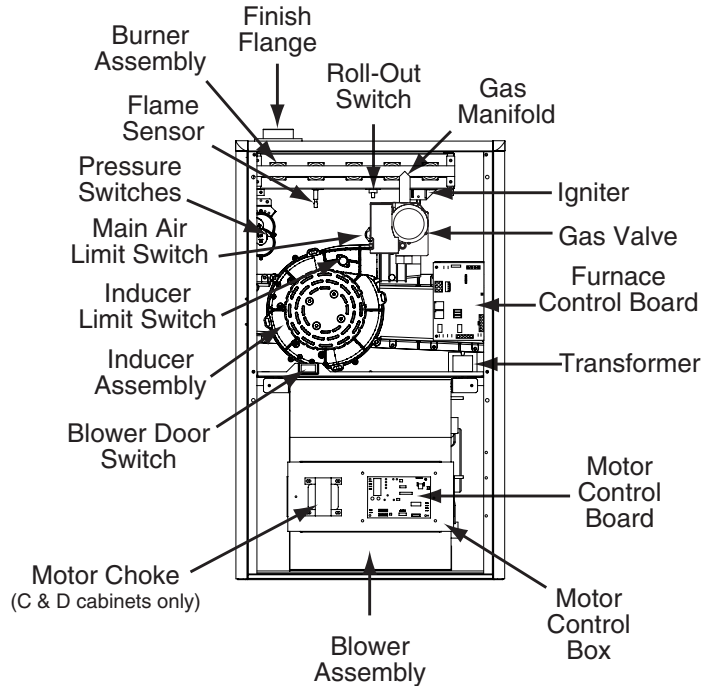
Two-Stage Models



***TC 95.1% Upflow / Horizontal Gas Furnace**



***TL 95.1% + Downflow Gas Furnace**



***MQ 97.1% Upflow / Horizontal Gas Furnace**

STARTUP & SHUTDOWN

STARTING THE FURNACE

1. Make sure the filter is clean and in place.
2. Make sure the vent system is properly installed.
3. Set the thermostat to the lowest setting.
4. Close the manual gas valve outside the furnace.
5. Turn off all electric to the furnace.
6. Remove the door from the burner compartment.
7. Set the gas valve switch or knob to the OFF position. See Figure 1 for gas valve switch or knob location.
8. Wait 5 minutes. If there is any smell of gas, see "WHAT TO DO IF YOU SMELL GAS" on page 4.
9. Set the gas valve switch or knob to the ON position.
10. Turn on all electric to the furnace.
11. Open the manual gas valve.
12. Turn the thermostat back up to force ignition.
13. Observe operation, including burners. If burners fail to ignite, call a licensed HVAC technician.
14. Replace the door on the burner compartment.

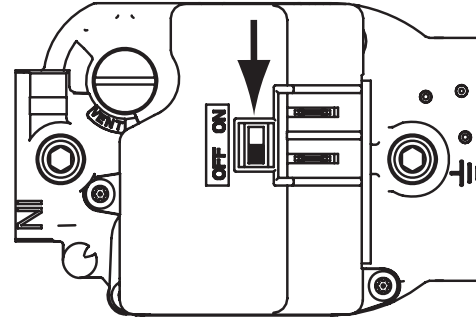
SHUTTING DOWN THE FURNACE

IMPORTANT! IF YOU NEED TO SHUT DOWN YOUR FURNACE FOR SERVICE OR MAINTENANCE, SHUT OFF THE GAS VALVE TO THE FURNACE BEFORE TURNING OFF THE ELECTRICAL SERVICE.

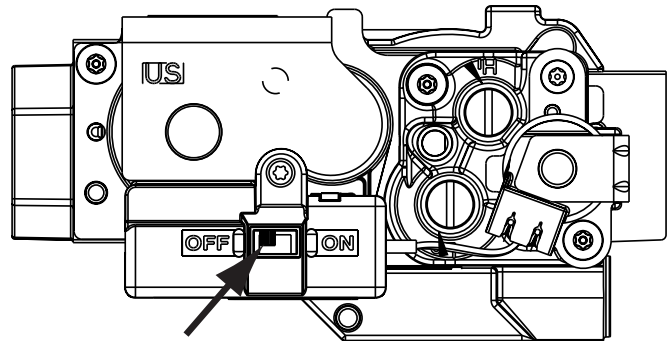
NOTE: Your furnace may be equipped with one of three types of gas valves. Remove the door panel from the front of the furnace and determine which valve type matches your installation in Figure 1. Move the switch to the OFF Position.

If your installation has a manual gas shutoff valve on the gas supply pipe, shut this off, then shut off the electric to the furnace.

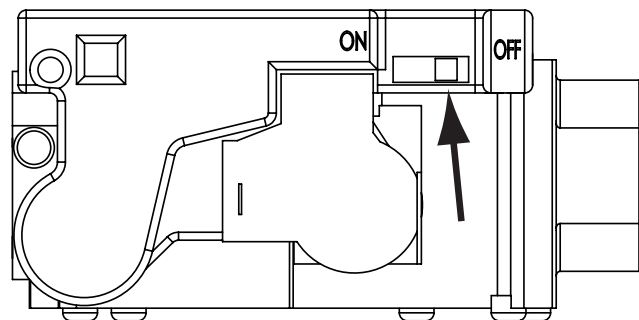
1. Set the thermostat to the lowest setting.
2. Close the manual gas valve outside the furnace.
3. Turn electric to the furnace off.
4. Open the door to the burner compartment.
5. Set the gas valve switch or knob to the OFF position.
6. Replace the door on the burner compartment.



SINGLE STAGE VALVE



TWO - STAGE VALVE



MODULATING VALVE

Figure 1. Gas Valves

TROUBLESHOOTING

If the furnace fails to operate check the following:

1. Is the thermostat setting correct?
2. Are the blower compartment door(s) in place?
3. Has the circuit breaker tripped or the control board fuse burned open?
4. Is the gas turned on at the manual shutoff?
5. Is the filter dirty or clogged?

If the furnace still doesn't operate, contact a licensed HVAC technician

MAINTENANCE & INSPECTION

FURNACE & AIR DUCTS

- The furnace should be inspected annually by a licensed HVAC technician. Table 1 below contains suggested inspections and frequency of maintenance.
- Homeowners should perform frequent visual inspections of the furnace for obvious signs of deterioration. The furnace should be secure without sagging, cracks gaps, etc around the base. The return air duct connection(s) is secured and sealed to the furnace cabinet and terminates outside the area containing the furnace. Any signs of damage or loose connections should be repaired by a qualified HVAC technician.

VENTING SYSTEM

- For proper and safe operation, this furnace requires unrestricted airflow for combustion and ventilation. Inspect for blocked or obstructed air openings on or around the furnace, and the space around the furnace.
- The furnace venting system should be inspected annually by a licensed HVAC technician. Vent pipe must slope upwards and be physically secured without holes or corrosion. Any corroded section of vent pipe must be replaced, and any obstruction or blockage must be removed by the technician.
- Flue passageways, the vent system, and the burners should be inspected and cleaned (if required) by a licensed HVAC technician annually to ensure continued safe operation.
- Existing masonry chimneys should be inspected and relined (if necessary) by a licensed HVAC technician.

BLOWER & FILTER

- It is recommended that the blower compartment be cleaned of dirt or lint that may have accumulated in the compartment or on the blower and motor as part of the annual inspection.
- Keep air filters cleaned. It is recommended that the furnace air filter be checked at least once a month. Clean or replace filter to maintain proper airflow and achieve maximum efficiency.
- Furniture and drapery should be arranged so that the supply air registers and return grilles are not obstructed.

BURNER OPERATION

Perform the startup instructions on page 10. The igniter should ignite the closest burner and the flames should quickly carryover to the other burners. The flames should be bright blue, with occasional yellow streaks.

NEW CONSTRUCTION

The operation of gas furnaces in a construction environment can cause a variety of problems with the furnace. Before occupying the residence, homeowners should have these safety inspections performed by a licensed technician:

- Before occupancy, the furnace shall be inspected and approved by applicable local authority even if this results in redundant inspections.
- The duct work must be inspected and cleaned if found to contain any construction debris.
- The filter must be replaced or cleaned and the furnace must be inspected by a licensed HVAC technician. The furnace must be cleaned and/or repaired if found to be dirty, damaged, or malfunctioning in any way.

MAINTENANCE ITEMS	FREQUENCY OF MAINTENANCE		
	BEGINNING OF EACH HEATING SEASON	END OF EACH HEATING SEASON	MONTHLY
Verify furnace area is free of combustible materials.	X	X	X
Verify combustion and ventilation air is not restricted.	X	X	X
Verify no signs of physical deterioration of the furnace.	X	X	X
Verify no obstructions or restrictions in vent or chimney.	X	X	
Verify no holes or cracks in vent pipe.	X	X	
Verify no corrosion in vent pipe.	X	X	
Verify the horizontal vent pipes slope upwards away from furnace.	X	X	
Verify burner flame.	X		
Clean or replace filter(s).			X
Clean blower compartment.	X		
Clean burner assembly.	X		
Clean condensate collection & disposal system (if applicable).	X		

Table 1. Maintenance Table

GUIDE D'UTILISATION

GÉNÉRATEURS D'AIR CHAUD AU GAZ SANS CONDENSATION

AFUE de 80+



Générateurs d'air chaud à flux ascendant/horizontaux *SA



Générateurs d'air chaud à flux descendant *SK

GÉNÉRATEURS D'AIR CHAUD AU GAZ À CONDENSATION

AFUE de 92,1 %



Générateurs d'air chaud à flux ascendant/horizontaux *SC



Générateurs d'air chaud à flux descendant *SL

AFUE de 95 % - 97 %



Générateurs d'air chaud à flux ascendant/horizontaux *SD, *SD-E, *TC, *MQ



Générateurs d'air chaud à flux descendant *SM et *TL

⚠ AVERTISSEMENT

RISQUE D'INCENDIE OU D'EXPLOSION

- Le non-respect des avertissements de sécurité pourrait entraîner des blessures graves ou des dommages matériels.
- L'installation et l'entretien doivent être effectués par un installateur qualifié, un organisme de service ou le fournisseur de gaz.
- Ne pas entreposer ni utiliser de l'essence ni d'autres vapeurs ou liquides inflammables dans le voisinage de cet appareil, ni de tout autre appareil.

QUE FAIRE S'IL Y A UNE ODEUR DE GAZ

- Ne tenter d'allumer aucun appareil.
- Ne toucher à aucun interrupteur électrique; n'utiliser aucun téléphone dans le bâtiment.
- Évacuer l'immeuble immédiatement.
- Appeler immédiatement le fournisseur de gaz en employant le téléphone d'un voisin. Respecter les instructions du fournisseur de gaz.
- Si personne ne répond, appeler le service des incendies.

NE PAS DÉTRUIRE. VEUILLEZ LIRE ATTENTIVEMENT ET CONSERVER EN UN LIEU SÛR POUR RÉFÉRENCE ULTÉRIEURE.

TABLE DES MATIÈRES

RENSEIGNEMENTS IMPORTANTS SUR LA SÉCURITÉ	4
ALIMENTATION EN GAZ ET TUYAUTERIE	4
SYSTÈME DE VENTILATION	4
DÉGAGEMENT AUX MATÉRIAUX COMBUSTIBLES	5
SOURCES DE CORROSION.....	5
FILTRE.....	5
DOMMAGES CAUSÉS PAR UNE INONDATION	5
RENSEIGNEMENTS IMPORTANTS SUR LA SÉCURITÉ	5
À PROPOS DU GÉNÉRATEUR D’AIR CHAUD	6
INTRODUCTION	6
GÉNÉRATEURS D’AIR CHAUD DE CATÉGORIE I	6
(SANS CONDENSATION)	6
GÉNÉRATEURS D’AIR CHAUD DE CATÉGORIE IV	6
(À CONDENSATION).....	6
FILTRE.....	6
THERMOSTAT.....	6
EMPLACEMENT DU GÉNÉRATEUR D’AIR CHAUD.....	6
EMPLACEMENT DES COMPOSANTS POUR GÉNÉRATEURS D’AIR CHAUD SANS CONDENSATION.....	7
EMPLACEMENT DES COMPOSANTS POUR GÉNÉRATEURS D’AIR CHAUD À CONDENSATION	8
DÉMARRAGE ET ARRÊT	10
DÉMARRAGE DU GÉNÉRATEUR D’AIR CHAUD.....	10
ARRÊT DU GÉNÉRATEUR D’AIR CHAUD.....	10
DIAGNOSTIC DE DÉFAILLANCES	10
ENTRETIEN ET INSPECTION	11
GÉNÉRATEUR D’AIR CHAUD ET CONDUITS D’AIR	11
SYSTÈME DE VENTILATION	11
SOUFFLEUR ET FILTRE	11
FONCTIONNEMENT DU BRÛLEUR	11
NOUVELLE CONSTRUCTION.....	11

RENSEIGNEMENTS IMPORTANTS SUR LA SÉCURITÉ

Des symboles de sécurité sont fréquemment utilisés dans l'ensemble de ce manuel pour désigner un degré ou un niveau de gravité et ne doivent pas être ignorés. **AVERTISSEMENT** indique une situation potentiellement dangereuse qui, si elle n'est pas évitée, peut occasionner des blessures ou la mort. **MISE EN GARDE** indique une situation potentiellement dangereuse qui, si elle n'est pas évitée, peut occasionner des blessures mineures ou modérées, ou des dommages matériels.

AVERTISSEMENT :

Les renseignements de sécurité indiqués ci-dessous doivent être respectés pendant l'installation, l'entretien et le fonctionnement de ce générateur d'air chaud. Le non-respect des recommandations de sécurité peut causer des dommages à l'équipement ou des blessures graves, voire mortelles.

AVERTISSEMENT :

AVERTISSEMENT RELATIF À LA PROPOSITION 65 : Ce produit contient des produits chimiques reconnus dans l'État de la Californie comme pouvant causer le cancer, des malformations congénitales ou d'autres problèmes du système reproductif.

AVERTISSEMENT :

Ce générateur d'air chaud n'est pas homologué pour une installation dans une maison mobile. L'installation de ce générateur d'air chaud dans une maison mobile risque de causer un incendie, des dommages matériels ou des blessures.

ALIMENTATION EN GAZ ET TUYAUTERIE

QUE FAIRE S'IL Y A UNE ODEUR DE GAZ

- Ne pas tenter d'allumer quelque appareil que ce soit.
- Ne toucher à aucun interrupteur électrique; n'utiliser aucun téléphone dans le bâtiment.
- Évacuer l'immeuble immédiatement.
- Appeler immédiatement le fournisseur de gaz en employant le téléphone d'un voisin. Respecter les instructions du fournisseur de gaz.
- S'il n'est possible de joindre le fournisseur de gaz, appeler le service des incendies.

L'installation et l'entretien doivent être effectués par un installateur qualifié, un organisme de service ou le fournisseur de gaz.

Cet appareil n'est pas doté d'une veilleuse d'allumage. Il est pourvu d'un dispositif d'allumage qui allume automatiquement le brûleur. **NE PAS** allumer le brûleur à la main.

REMARQUE IMPORTANTE :

Si l'alimentation en gaz ne se coupe pas ou s'il y a surchauffe, fermer le robinet de gaz vers le générateur d'air chaud avant de couper l'alimentation électrique.

AVERTISSEMENT :

Le générateur d'air chaud est expédié de l'usine équipé pour fonctionner au gaz naturel. La conversion au gaz propane (GPL) doit être réalisée par un technicien en CVC agréé avec une trousse de conversion fournie à l'usine. L'utilisation de la mauvaise trousse de conversion peut causer un incendie, une explosion, des dommages matériels, un empoisonnement au monoxyde de carbone, des blessures ou la mort.

AVERTISSEMENT :

Toute la tuyauterie de gaz et tous les robinets d'arrêt doivent être installés conformément aux codes locaux et à la réglementation des services publics par des installateurs agréés. **NE PAS** tenter d'apporter des modifications ou d'ajouter un robinet aux conduites de gaz par vous-même. Un incendie ou une explosion pourrait survenir et causer des dommages matériels, des blessures ou des pertes de vie. Le non-respect des avertissements de sécurité pourrait entraîner des blessures graves, la mort ou des dommages matériels.

SYSTÈME DE VENTILATION

AVERTISSEMENT :

Il est essentiel de maintenir le bon fonctionnement du système de ventilation, y compris de la cheminée de maçonnerie (s'il y a lieu). Une ventilation insuffisante risque d'entraîner une production excessive de monoxyde de carbone (CO), un gaz incolore et inodore produit pendant la combustion incomplète de tout carburant. Il peut causer la mort sans signe avant-coureur. L'empoisonnement au monoxyde de carbone peut causer des symptômes semblables à ceux de la grippe, ainsi que des vertiges, la fatigue, des maux de tête, la nausée et une respiration irrégulière.

Si vous croyez avoir subi un empoisonnement au monoxyde de carbone (CO), allez respirer de l'air frais immédiatement. Sortir de la maison et téléphoner pour obtenir de l'aide depuis la maison d'un voisin.

- La Consumer Product Safety Commission (CPSC) des États-Unis recommande que chaque maison soit dotée d'un détecteur de monoxyde de carbone dans les passages situés à proximité des chambres à coucher. Les détecteurs de monoxyde de carbone doivent être homologués en vertu des plus récentes exigences des normes UL, IAS ou CSA et doivent être installés, utilisés et entretenus conformément aux directives du fabricant de détecteurs.

RENSEIGNEMENTS IMPORTANTS SUR LA SÉCURITÉ

MISE EN GARDE :

Ce générateur d'air chaud requiert une circulation d'air non restreinte pour la combustion et la ventilation. Pour un fonctionnement approprié et sûr, il est extrêmement important que le générateur d'air chaud reçoive un débit non restreint d'air frais et propre afin de brûler le carburant de façon appropriée. Si le débit d'air est restreint, les gaz de combustion partiellement brûlés risquent de créer des quantités dangereuses de monoxyde de carbone, qui peut causer des blessures ou la mort.

- Ne pas bloquer ou obstruer les prises d'air sur le générateur d'air chaud, les prises d'air ou les espacements autour de la zone du générateur d'air chaud et la pièce ou le placard où se trouve le générateur d'air chaud. Il faut disposer le mobilier et la draperie de façon à ne pas obstruer les registres d'air d'alimentation et les grilles de reprise.
- Si le générateur d'air chaud reçoit son air par un conduit provenant de l'extérieur, s'assurer que l'admission du conduit n'est pas bloquée. Si le générateur d'air chaud fonctionne avec une quantité d'air inadéquate pour la combustion, le contacteur de retour de flamme s'ouvre pour fermer l'alimentation en gaz des brûleurs. Cela indique un problème grave des brûleurs qui doit être corrigé immédiatement. Seul un technicien en CVC agréé peut réenclencher ce contacteur.
- Avant de procéder à des travaux de rénovation à proximité du générateur d'air chaud, consulter l'agent responsable du code local ou le National Fuel Gas Code (NFGC) pour assurer la conformité relative à l'alimentation en air adéquate pour la combustion. La construction de nouveaux murs peut parfois restreindre de façon involontaire l'alimentation en air du générateur d'air chaud. Pour obtenir de plus amples renseignements sur l'alimentation en air de combustion, consulter le NFGC, mis à disposition par de nombreuses bibliothèques.

DÉGAGEMENT AUX MATÉRIAUX COMBUSTIBLES

AVERTISSEMENT :

Ne pas placer de matériaux combustibles sur ou contre l'armoire du générateur d'air chaud ou à moins de six pouces du conduit d'évent. La zone du générateur d'air chaud doit être exempte de matériaux combustibles, d'essence et de tout autre liquide ou vapeur inflammable. Un incendie ou une explosion pourrait survenir et causer des dommages matériels, des blessures ou des pertes de vie. Le non-respect des avertissements de sécurité pourrait entraîner des blessures graves, la mort ou des dommages matériels.

Le générateur d'air chaud est conçu pour avoir un certain dégagement aux matériaux combustibles, comme le bois, le papier, etc. Certains types d'isolants sont combustibles. Si le générateur d'air chaud est installé dans un comble, à proximité d'un mur non fini ou dans un autre espace isolé, garder l'espace autour du générateur d'air chaud exempt de matériau d'isolation.

SOURCES DE CORROSION

Certains produits chimiques domestiques courants sont reconnus pour causer la corrosion de l'échangeur de chaleur lorsque les vapeurs sont aspirées dans les brûleurs du générateur d'air chaud. Voici une liste de produits chimiques qu'il faut éviter d'utiliser ou d'entreposer à proximité du générateur d'air chaud.

Ne pas entreposer ces produits chimiques à proximité du générateur d'air chaud :

- Solutions pour permanente
- Cires ou produits nettoyants chlorés
- Produits chimiques pour piscine à base de chlore
- Produits chimiques adoucisseurs d'eau
- Produits chimiques ou sels de déglacage
- Tétrachlorure de carbone
- Frigorigènes halogénés
- Solvants de nettoyage (perchloroéthylène)
- Encre d'impression, décapants pour peinture, vernis, etc.
- Acide chlorhydrique
- Adhésifs et colles
- Assouplissants antistatiques
- Matériaux de lavage à l'acide pour maçonnerie

FILTRE

AVERTISSEMENT :

Ne jamais faire fonctionner le générateur d'air chaud sans filtre. La poussière présente dans la reprise d'air peut s'accumuler dans les composants internes, ce qui entraîne une perte d'efficacité, des dommages matériels et un risque d'incendie.

Garder les filtres à air propres. Nettoyer ou remplacer le filtre pour garantir un débit d'air approprié et obtenir une efficacité maximale. Consulter la page 11 pour les informations sur l'entretien et l'inspection

DOMMAGES CAUSÉS PAR UNE INONDATION

AVERTISSEMENT :

Ne pas utiliser ce générateur d'air chaud si l'une de ses pièces a été immergée dans de l'eau. Un générateur d'air chaud endommagé par une inondation est extrêmement dangereux. Toute tentative d'utiliser le générateur d'air chaud peut entraîner un incendie ou une explosion. Il faut communiquer avec un organisme de service qualifié pour l'inspection du générateur d'air chaud et le remplacement de toutes commandes de gaz, pièces du système de commande et pièces électriques qui ont été mouillées ou du générateur d'air chaud si cela est jugé nécessaire.

À PROPOS DU GÉNÉRATEUR D'AIR CHAUD

INTRODUCTION

Nous vous félicitons pour l'achat de ce nouveau générateur d'air chaud! Fort de notre engagement envers la qualité, la fiabilité supérieure et une garantie remarquable, nous savons que vous apprécierez ce nouvel appareil. Ce générateur d'air chaud a été conçu et fabriqué pour offrir de nombreuses années de confort au foyer fiable et sécuritaire, pourvu qu'il soit installé correctement et qu'un entretien régulier soit réalisé. Une utilisation inappropriée ou un entretien insuffisant peut réduire la durée de vie du générateur d'air chaud et entraîner des blessures graves ou des dommages matériels. Veuillez lire complètement le présent manuel et vous familiariser avec les procédures de sécurité, d'utilisation et d'entretien de ce générateur d'air chaud. **NE PAS ÉLIMINER CE GUIDE. CONSERVER LE GUIDE EN UN LIEU SÛR POUR RÉFÉRENCE FUTURE.**

Ce générateur d'air chaud est conçu pour répondre aux exigences relatives à un générateur d'air chaud de catégorie I ou de catégorie IV. Cette classification est liée au taux d'utilisation annuelle de combustible (AFUE), c'est-à-dire le pourcentage de combustible converti en énergie calorifique utilisable.

Les composants du générateur d'air chaud montraient aux pages 7 et 9 vous aideront à déterminer et à repérer les différentes pièces du générateur d'air chaud. Il est nécessaire de se familiariser avec le robinet de gaz. Ce composant est utilisé pour mettre en marche ou arrêter le générateur d'air chaud. **Aucune autre pièce ne peut être entretenue par l'utilisateur. Toute réparation doit être réalisée par un technicien en CVC agréé.**

Générateurs d'air chaud de catégorie I
(sans condensation)

En général, l'AFUE de ces générateurs d'air chaud est d'environ 80 % et l'évacuation peut se faire par une cheminée de maçonnerie ou un évent en métal correctement conçu. Ce système de ventilation doit être principalement à la verticale afin que les produits de combustion chauds développent un tirage vers le haut naturel.

Générateurs d'air chaud de catégorie IV
(à condensation)

En général, l'AFUE de ces générateurs d'air chaud est d'environ 90 % et l'évacuation peut se faire principalement par un conduit en PVC en plastique. Ces générateurs d'air chaud produisent également un condensat liquide légèrement acide. Le conduit d'évent doit présenter une pente ascendante opposée au générateur d'air chaud de façon à assurer le retour adéquat du condensat dans le système d'élimination de condensat.

- Les générateurs d'air chaud à condensation requièrent une conduite d'écoulement de condensat pour que leur installation réalisée par un installateur soit appropriée. Selon la configuration, les conduites d'écoulement doivent sortir du côté gauche ou du côté droit du générateur d'air chaud. Il faut installer ces conduites d'écoulement avec une pente descendante pour garantir l'écoulement approprié du condenseur.
- Le condensat doit s'écouler librement pendant le fonctionnement du générateur d'air chaud. Il incombe au propriétaire de la maison de s'assurer que les conduites d'écoulement de condensat ne sont pas bouchées, pincées ou écrasées.
- Si le générateur d'air chaud est installé dans un endroit où les températures chutent sous le point de congélation, il faut prendre des précautions spéciales pour isoler les conduites d'écoulement de condensat qui s'écoulent vers l'extérieur. Si le

condensat gèle dans les conduites, le contacteur d'écoulement de condensat arrête le générateur d'air chaud.

FILTRE

AVERTISSEMENT :

Ne jamais faire fonctionner le générateur d'air chaud sans filtre. La poussière présente dans la reprise d'air peut s'accumuler dans les composants internes, ce qui entraîne une perte d'efficacité, des dommages matériels et un risque d'incendie.

- **Les filtres à air ne sont pas fournis avec le générateur d'air chaud lors de l'expédition de l'usine.** L'installateur doit fournir un filtre à débit élevé et un support pour un filtre dans le conduit d'air de reprise adjacent au générateur d'air chaud ou dans une grille de reprise d'air vers le générateur d'air chaud.
- Le générateur d'air chaud doit toujours être doté d'un filtre propre situé sur la reprise d'air du générateur d'air chaud ou dans un registre de reprise d'air. Si le filtre est sale, il doit être nettoyé ou remplacé.
- Les maisons neuves ou les maisons nouvellement rénovées peuvent nécessiter un remplacement plus fréquent jusqu'à ce que la poussière de construction ait diminué. Les filtres conçus pour éliminer les petites particules, comme le pollen, peuvent nécessiter un entretien supplémentaire.
- Toujours reposer les portes sur le générateur d'air chaud après l'entretien ou le nettoyage/remplacement des filtres. **Ne pas faire fonctionner le générateur d'air chaud sans que toutes les portes et les couvercles soient en place.**

THERMOSTAT

Cette gamme de générateurs d'air chaud présente des capacités mono-étage, à deux étages ou à modulation. Ces différentes capacités requièrent différents thermostats pour atteindre leur rendement maximal.

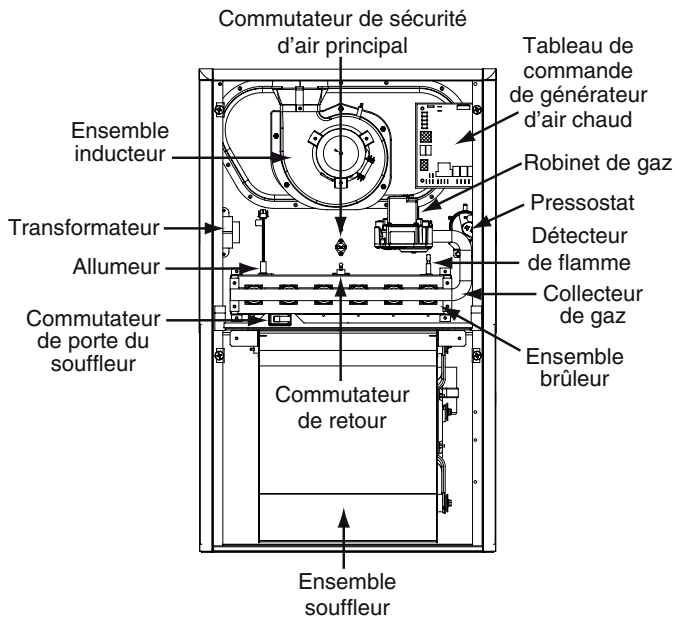
- Les générateurs d'air chaud mono-étage (modèles SA, SK, SC, SL, SD, SD-E, et SM) doivent être régulés par un thermostat mono-étage classique.
 - Les générateurs d'air chaud à deux étages (modèles TA, TK, TC et TL) offre un meilleur rendement avec un thermostat à deux étages classiques.
- REMARQUE :** Il est possible de réguler les générateurs d'air chaud à deux étages avec un thermostat à un étage. Consulter l'installateur pour connaître le type qui convient le mieux à l'installation. Les deux thermostats sont normalement offerts dans le centre de matériaux de construction de votre région.
 - Les générateurs d'air chaud à modulation (MQ) ne fonctionnent pas avec un thermostat classique et doivent être régulés par un thermostat iQ, offert par votre détaillant.

EMPLACEMENT DU GÉNÉRATEUR D'AIR CHAUD

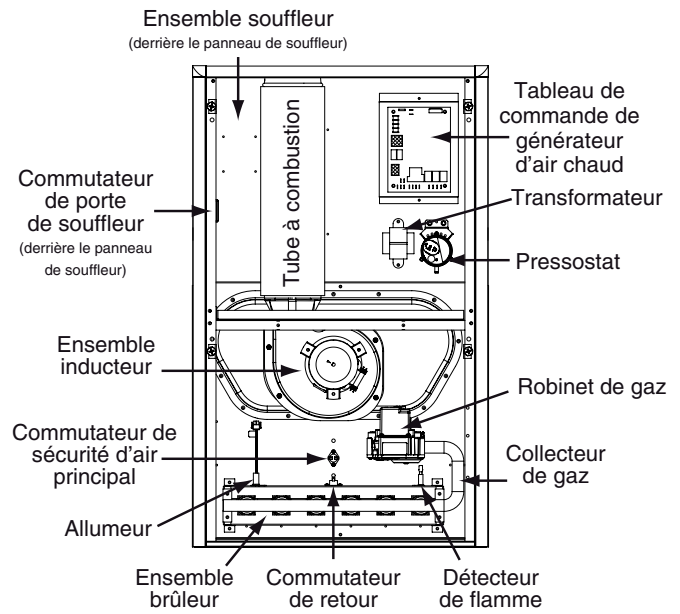
Si un générateur d'air chaud est installé dans une salle technique relativement petite ou dans un placard, il doit y avoir des ouvertures dans les murs ou la porte pour laisser entrer l'air de combustion. S'assurer que ces ouvertures demeurent dégagées. Ne modifier ces ouvertures d'aucune façon sans d'abord consulter un technicien en CVC agréé.

EMPLACEMENT DES COMPOSANTS POUR GÉNÉRATEURS D'AIR CHAUD SANS CONDENSATION

Modèles mono-étage

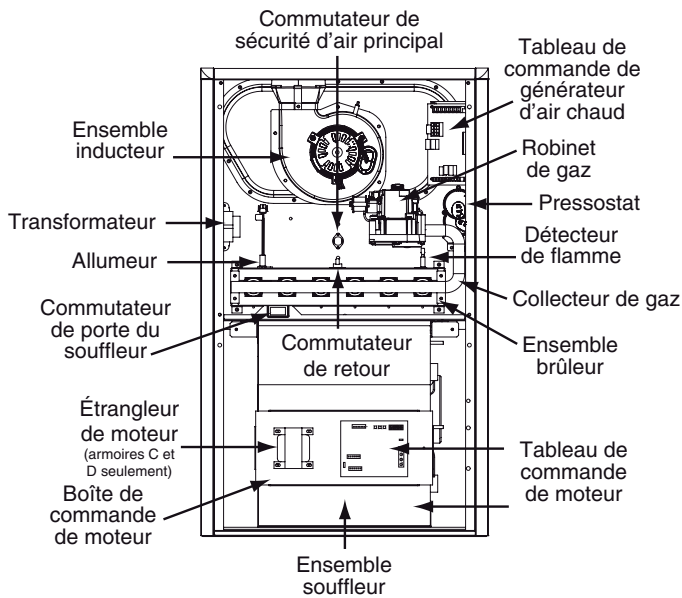


Générateur d'air chaud au gaz à flux ascendant/horizontal 80+ *SA

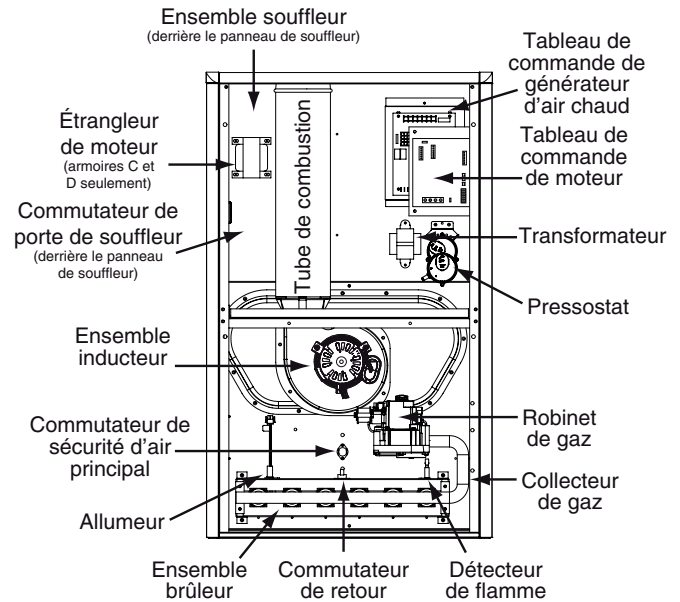


Générateur d'air chaud au gaz à flux descendant 80+ *SK

Modèles à deux étages



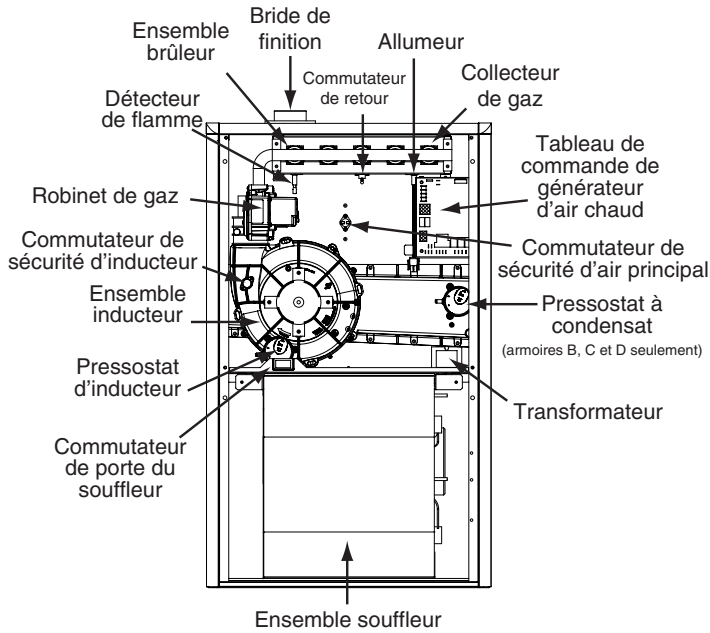
Générateur d'air chaud au gaz à flux ascendant/horizontal 80+ *TA



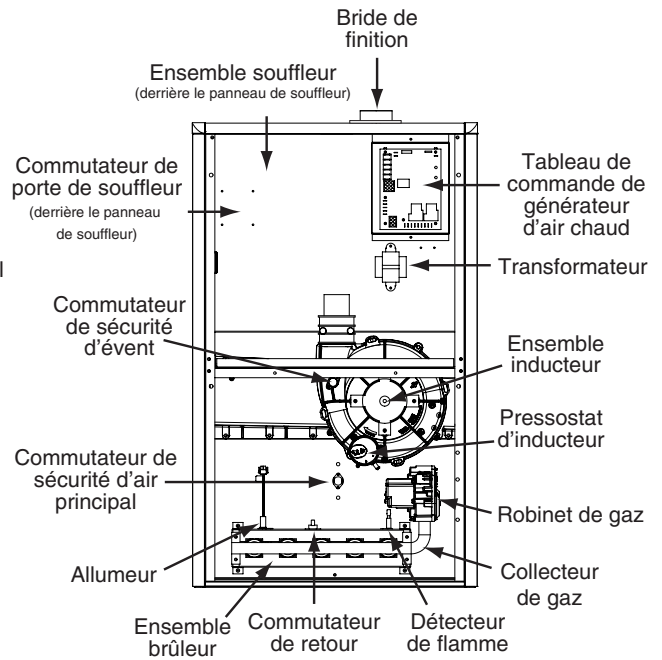
Générateur d'air chaud au gaz à flux descendant 80+ *TK

EMPLACEMENT DES COMPOSANTS POUR GÉNÉRATEURS D'AIR CHAUD À CONDENSATION

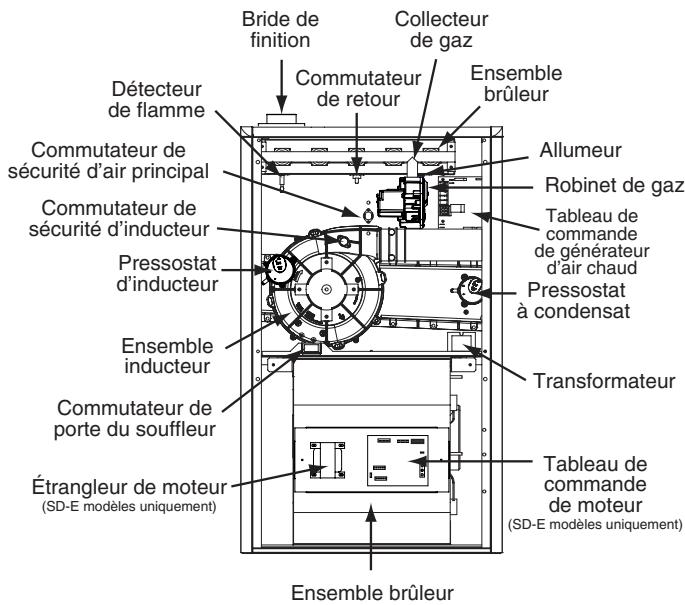
Modèles mono-étage



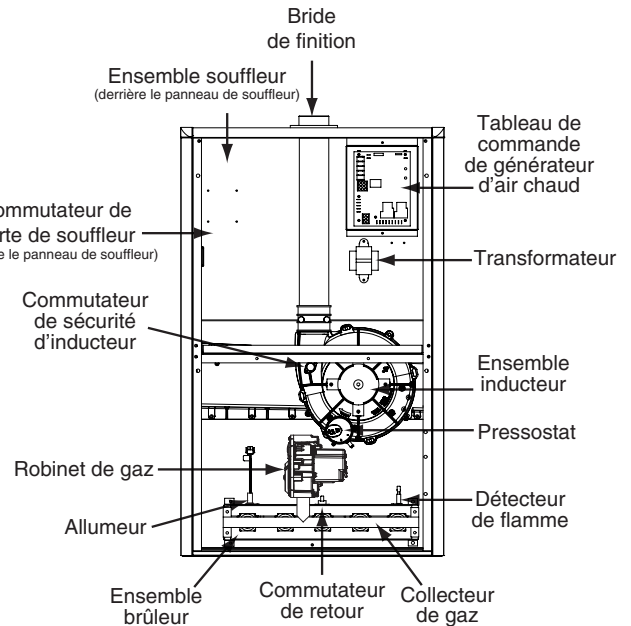
Générateur d'air chaud au gaz à flux ascendant/horizontal 92,1 % *SC



Générateur d'air chaud au gaz à flux descendant 92,1 % *SL

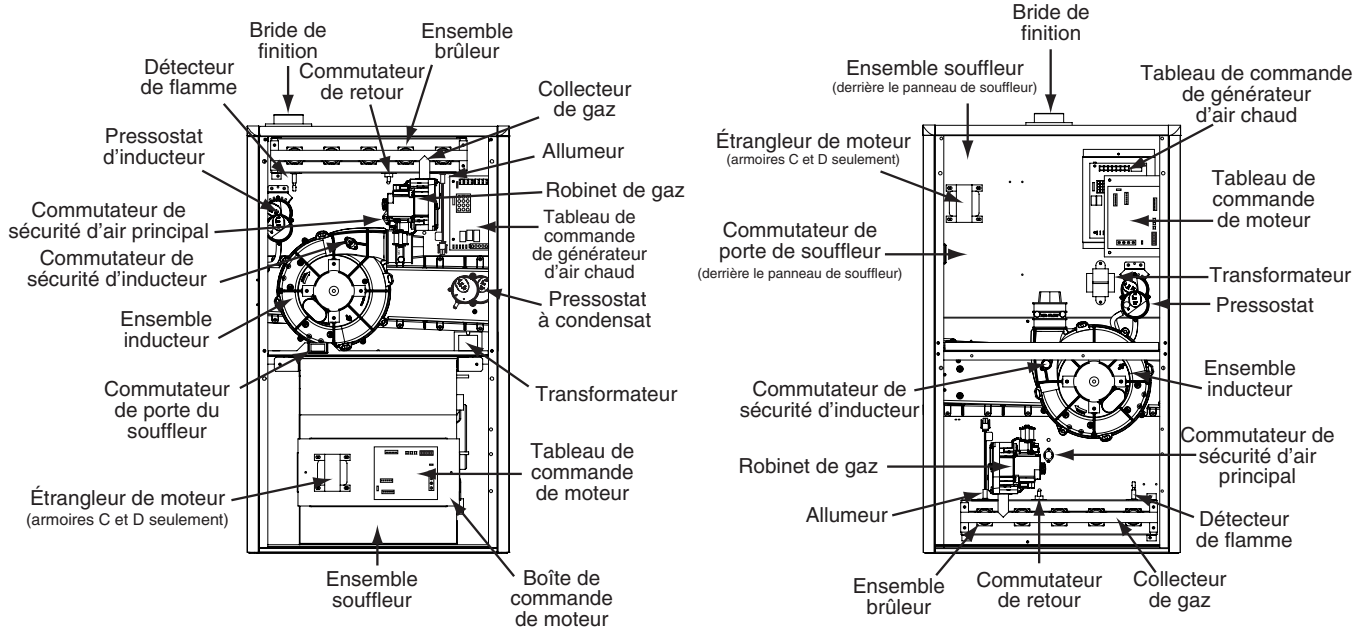


Générateur d'air chaud au gaz à flux ascendant/horizontal 95,0 % *SD



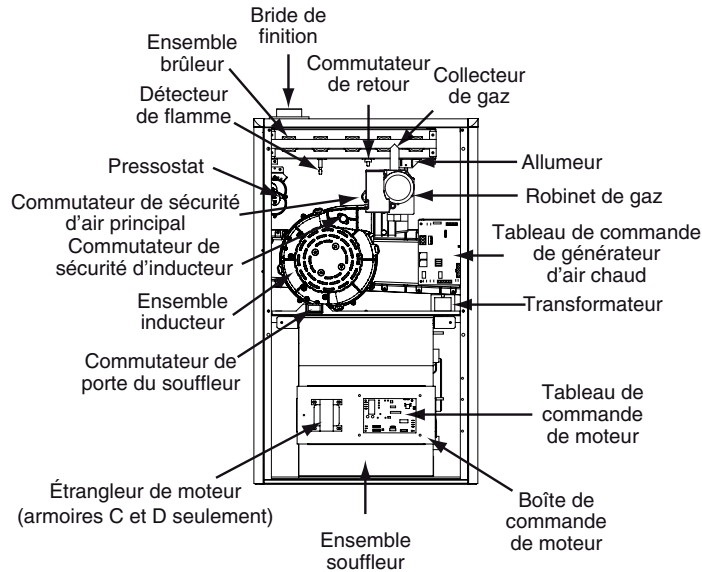
Générateur d'air chaud au gaz à flux descendant 95,0 % *SM

Modèles à deux étages



Générateur d'air chaud au gaz à flux ascendant/horizontal 95,1 % *TC

Générateur d'air chaud au gaz à flux descendant 95,1 % *TL



Générateur d'air chaud au gaz à flux ascendant/horizontal 97,1 % *MQ

DÉMARRAGE ET ARRÊT

DÉMARRAGE DU GÉNÉRATEUR D'AIR CHAUD

1. S'assurer que le filtre est propre et en place.
2. S'assurer que le système de ventilation est installé correctement.
3. Régler le thermostat au réglage le plus bas.
4. Fermer le robinet de gaz manuel à l'extérieur du générateur d'air chaud.
5. Couper toute alimentation électrique du générateur d'air chaud.
6. Retirer la porte du compartiment de brûleur.
7. Tourner l'interrupteur ou le bouton de robinet de gaz en position « OFF » (arrêt). Voir la figure 1 pour connaître l'emplacement de l'interrupteur ou du bouton de robinet de gaz.
8. Attendre 5 minutes. S'il y a une odeur de gaz, voir la section « QUE FAIRE S'IL Y A UNE ODEUR DE GAZ » à la page 4.
9. Tourner l'interrupteur ou le bouton de robinet de gaz en position « ON » (marche).
10. Rétablir toute alimentation électrique du générateur d'air chaud.
11. Ouvrir le robinet de gaz manuel.
12. Augmenter de nouveau le thermostat pour forcer l'allumage.
13. Observer le fonctionnement, y compris celui des brûleurs. Si les brûleurs ne s'allument pas, communiquer avec un technicien en CVC agréé.
14. Remettre la porte sur le compartiment de brûleur.

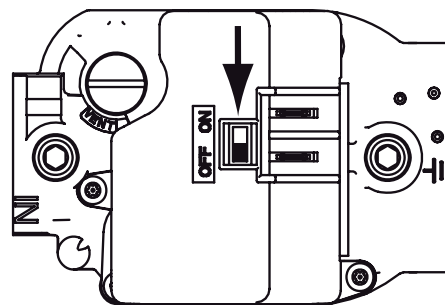
ARRÊT DU GÉNÉRATEUR D'AIR CHAUD

IMPORTANT! S'IL EST NÉCESSAIRE D'ARRÊTER LE GÉNÉRATEUR D'AIR CHAUD POUR UNE RÉPARATION OU UN ENTRETIEN, FERMER LE ROBINET DE GAZ ALIMENTÉ AU GÉNÉRATEUR D'AIR CHAUD AVANT DE COUPER L'ALIMENTATION ÉLECTRIQUE.

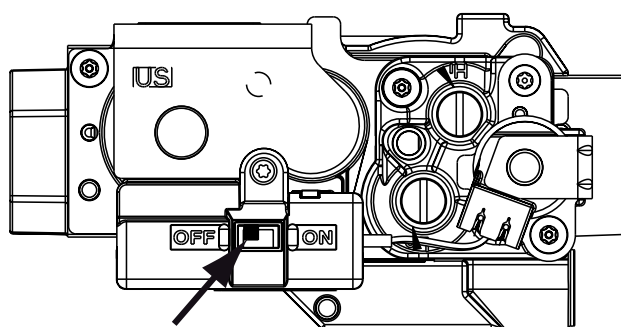
REMARQUE : Le générateur d'air chaud peut être doté d'un de ces trois types de robinet de gaz. Retirer le panneau de porte de l'avant du générateur d'air chaud et déterminer quel type de robinet correspond à l'installation de la figure 1. Déplacer l'interrupteur en position « OFF » (arrêt).

Si l'installation est dotée d'un robinet d'arrêt de gaz manuel sur la conduite d'alimentation en gaz, fermer ce robinet, puis couper l'alimentation électrique du générateur d'air chaud.

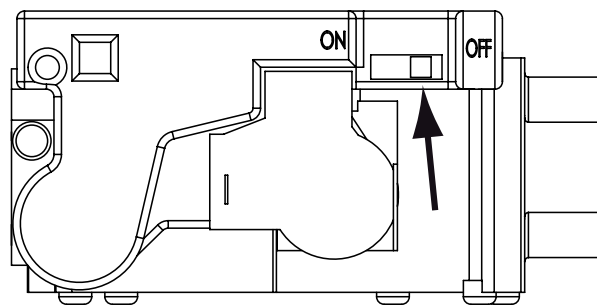
1. Régler le thermostat au réglage le plus bas.
2. Fermer le robinet de gaz manuel à l'extérieur du générateur d'air chaud.
3. Couper l'alimentation électrique du générateur d'air chaud.
4. Ouvrir la porte du compartiment de brûleur.
5. Tourner l'interrupteur ou le bouton de robinet de gaz en position « OFF » (arrêt).
6. Remettre la porte sur le compartiment de brûleur.



VANNE MONO-ÉTAGE



VANNE DEUX ÉTAGES



VANNE MODULANTE

Figure 1. Robinets de gaz

DIAGNOSTIC DE DÉFAILLANCES

Si le générateur d'air chaud ne fonctionne pas, vérifier les éléments suivants :

1. Le réglage du thermostat est-il approprié?
2. La ou les portes du compartiment de souffleur sont-elles en place?
3. Le disjoncteur s'est-il déclenché ou le fusible du tableau de commande est-il grillé?
4. Le gaz est-il ouvert au robinet d'arrêt manuel?
5. Le filtre est-il sale ou bouché?

Si le générateur d'air chaud ne fonctionne toujours pas, communiquer avec un technicien en CVC agréé.

ENTRETIEN ET INSPECTION

GÉNÉRATEUR D'AIR CHAUD ET CONDUITS D'AIR

- Il faut faire inspecter annuellement le générateur d'air chaud par un technicien en CVC agréé. Le Tableau 1 ci-dessous présente les inspections et les fréquences d'entretien recommandées.
- Les propriétaires de maison doivent réaliser des inspections visuelles fréquentes du générateur d'air chaud pour déceler des signes évidents de détérioration. Le générateur d'air chaud doit être solidement fixé et il ne doit y avoir aucun affaissement, fissures, espaces, etc. autour de la base. Le ou les raccords de conduite d'air de reprise sont fixés et scellés à l'armoire du générateur d'air chaud et se terminent à l'extérieur de la zone contenant le générateur d'air chaud. Tout dommage ou raccordement desserré doit être réparé par un technicien en CVC qualifié.

SYSTÈME DE VENTILATION

- Pour assurer un fonctionnement approprié et sécuritaire, ce générateur d'air chaud requiert un débit d'air non restreint pour la combustion et la ventilation. Rechercher des prises d'air bloquées ou obstruées sur le générateur d'air chaud ou autour du générateur d'air chaud et dans l'espace autour du générateur d'air chaud.
- Il faut faire inspecter annuellement le système de ventilation du générateur d'air chaud par un technicien en CVC agréé. Le conduit d'évent doit être incliné dans une pente ascendante et fixé physiquement; il doit également être exempt de trous ou de corrosion. Il faut remplacer toute section corrodée du conduit d'évent et le technicien doit retirer toute obstruction.
- Un technicien en CVC agréé doit inspecter et nettoyer (au besoin) annuellement les acheminements de conduit, le système de ventilation et les brûleurs pour en assurer le fonctionnement sûr continu.
- Un technicien en CVC agréé doit inspecter les cheminées de maçonnerie existantes et en refaire le chemisage (au besoin).

SOUFFLEUR ET FILTRE

- Il est recommandé d'éliminer la poussière et la mousse accumulées dans le compartiment de souffleur ou sur le souffleur et le moteur dans le cadre de l'inspection annuelle.
- Garder les filtres à air propres. Il est recommandé de vérifier le filtre à air du générateur d'air chaud au moins une fois par mois. Nettoyer ou remplacer le filtre pour garantir un débit d'air approprié et obtenir une efficacité maximale.
- Il faut disposer le mobilier et la draperie de façon à ne pas obstruer les registres d'air d'alimentation et les grilles de reprise.

FONCTIONNEMENT DU BRÛLEUR

Exécuter les directives de démarrage de la page 10. L'allumeur doit allumer le brûleur le plus près et les flammes doivent rapidement se transmettre aux autres brûleurs. Les flammes doivent être bleues vives avec des bandes jaunes à l'occasion.

NOUVELLE CONSTRUCTION

L'utilisation de générateurs d'air chaud au gaz dans un environnement en construction peut causer différents problèmes au générateur d'air chaud. Avant d'occuper la résidence, les propriétaires doivent demander à un technicien agréé de réaliser ces inspections de sécurité :

- Avant que le bâtiment soit occupé, le générateur d'air chaud doit être inspecté et approuvé par une autorité compétente locale, même s'il requiert des inspections régulières.
- Il faut inspecter le système de gaines et le nettoyer s'il contient des débris de construction.
- Il faut remplacer ou nettoyer le filtre et faire inspecter le générateur d'air chaud par un technicien en CVC agréé. Le générateur d'air chaud doit être nettoyé ou réparé s'il est sale, endommagé ou s'il fonctionne mal.

ÉLÉMENTS D'ENTRETIEN	FRÉQUENCE D'ENTRETIEN		
	DÉBUT DE CHAQUE SAISON DE CHAUFFAGE	FIN DE CHAQUE SAISON DE CHAUFFAGE	MENSUELLEMENT
Vérifier que la zone du générateur d'air chaud est exempte de matériaux combustibles.	X	X	X
Vérifier que l'air de combustion et l'air de ventilation ne sont pas restreintes.	X	X	X
Vérifier que le générateur d'air chaud ne présente aucun signe physique de détérioration.	X	X	X
Vérifier que la cheminée ou l'évent est exempt d'obstructions ou de restrictions.	X	X	
Vérifier qu'il n'y a aucun trou ou fissure dans le conduit d'évent.	X	X	
Vérifier qu'il n'y a pas de corrosion dans le conduit d'évent.	X	X	
Vérifier que les conduits d'évent horizontaux sont en pente ascendante en direction opposée au générateur d'air chaud.	X	X	
Vérifier la flamme du brûleur.	X		
Nettoyer ou remplacer le ou les filtres.			X
Nettoyer le compartiment du souffleur.	X		
Nettoyer l'ensemble brûleur.	X		
Nettoyer le système de récupération et d'élimination de condensat (s'il y a lieu).	X		

Tableau 1. Tableau d'entretien



☆ *TC, *TL, & *MQ Models Only
☆ Modèles *TC, *TL, et *MQ seulement

We Encourage
Professionalism



Through Technician
Certification by NATE



HRAI
YOUR ENVIRONMENT • OUR EXPERTISE
✓ MEMBER COMPANY

Specifications & illustrations subject to change without notice or incurring obligations (02/16).

O'Fallon, MO, © Nortek Global HVAC LLC 2016. All Rights Reserved.

Spécifications et illustrations sujettes à changements sans préavis ou sans aucune obligation (02/16). O'Fallon, MO, © Nortek Global HVAC LLC 2016. Tous droits réservés.



708967C (Replaces 708967B)
708967C (Remplace 708967B)