

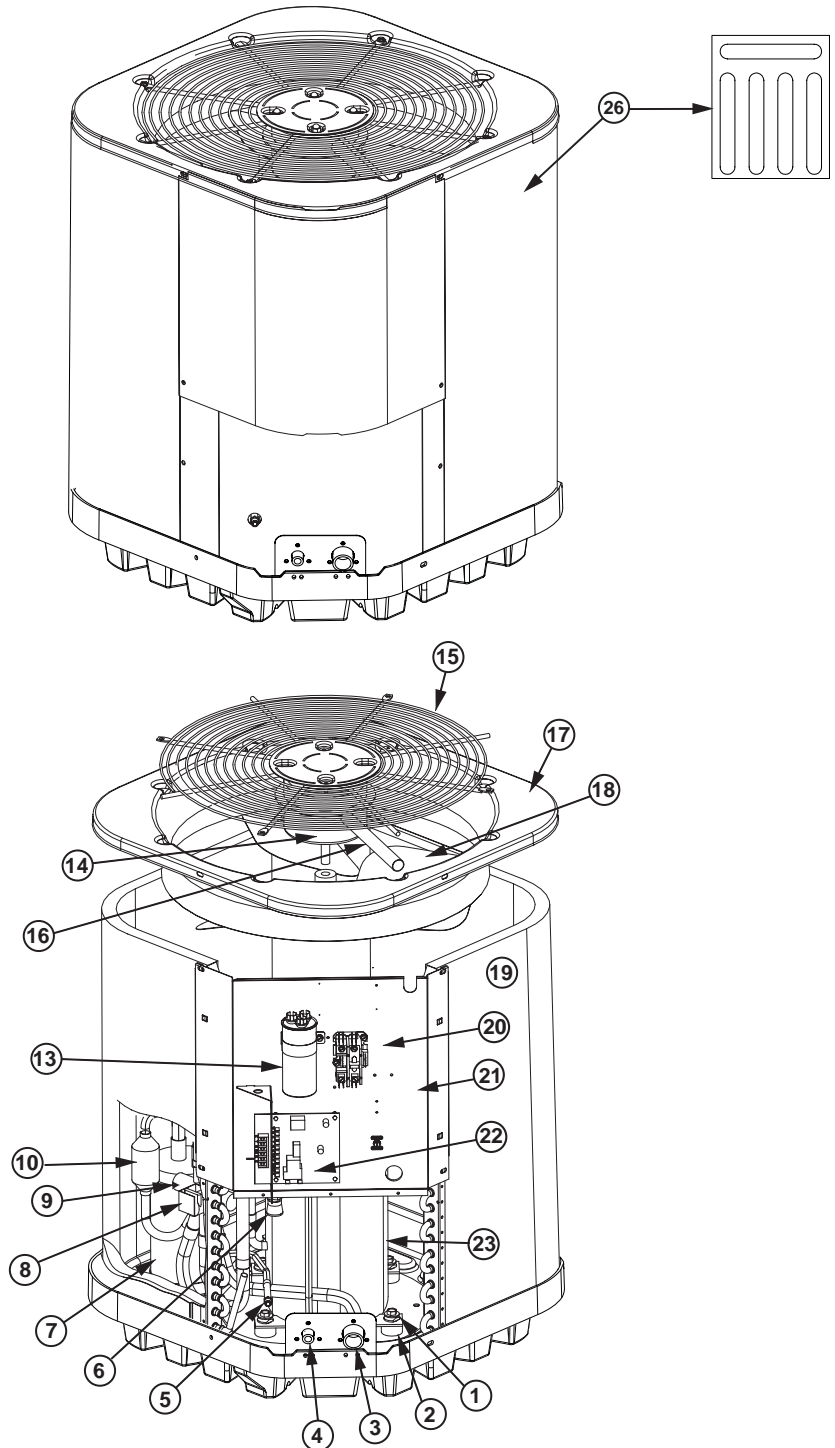
REPLACEMENT PARTS LIST

MANUFACTURED HOUSING SPLIT SYSTEM HEAT PUMP

DT4QD SERIES

13 SEER MODELS

ITEM #	COMPONENT
1	COMPRESSOR BOLT
2	COMPRESSOR GROMMET
3	REFRIGERANT VALVE (LG)
4	REFRIGERANT VALVE (SM)
5	SHRADER VALVE
6	SWIVEL CONNECTOR
7	ACCUMULATOR
8	REVERSING VALVE COIL
9	REVERSING VALVE
10	MUFFLER
11	CAPACITOR
12	OUTDOOR FAN MOTOR
13	OUTDOOR FAN GRILLE
14	MOTOR WIRE CONDUIT
15	TOP PAN </td
16	OUTDOOR FAN BLADE
17	OUTDOOR COIL
18	CONTACTOR
19	DEFROST BOARD
20	COMPRESSOR
21	OUTDOOR COIL GUARD



DT4QD SERIES MANUFACTURED HOUSING SPLIT SYSTEM HEAT PUMP

DESCRIPTION	DT4QD-024KA	DT4QD-030KA	DT4QD-036KA	DT4QD-042K	DT4QD-048K	DT4QD-060K
	921676D	921677D	921678D	920685D	920686D	920687D
ACCUMULATOR	668853R	668853R	668794R	668854R	668854R	668854R
CAPACITOR	01-0083	01-0084	01-0085	01-0273	01-0278	01-0279
COMPENSATOR TANK	—	—	—	669422	669422	669422
COMPRESSOR	921422	921425	921427	921463	921466	921468
COMPRESSOR BOLT	600426	600426	600426	600426	600426	600426
COMPRESSOR GROMMET	668530	668530	668530	668530	668530	668530
COMPRESSOR MOLDED PLUG	634660R	634660R	634660R	634660R	634660R	634660R
CONTACTOR	624712	624712	624712	624712	624713	624714
CRANKCASE HEATER	632410	632410	632410	632410	632410	632410
DEFROST BOARD	917178A	917178A	917178A	917178A	917178A	917178A
DEFROST SENSOR	626491R	626491R	626491R	626491R	626491R	626491R
DISTRIBUTOR	663579R	663579R	663581R	663582R	663582R	663582R
FILTER DRIER	669762	669762	669762	669762	669762	669762
HIGH PRESSURE SWITCH	632473R	632473R	632473R	632473R	632473R	632473R
MOTOR WIRE CONDUIT	664290	664290	664290	664290	664290	664290
MUFFLER	669546R	669546R	669546R	669546R	669546R	669546R
NUT	606261R	606261R	606261R	606261R	606261R	606261R
OUTDOOR COIL	499532RD	499533RD	2B6001RD	499535RD	2B6041RD	2B6041RD
OUTDOOR COIL GUARD	275694	275695R	275696R	275695R	275696R	275696R
OUTDOOR FAN BLADE	667383	667383	667383	667383	667383	667383
OUTDOOR FAN GRILLE	669335R	669335R	669335R	669335R	669335R	669335R
OUTDOOR FAN MOTOR	622080	622080	622080	622066	622066	622066
OUTDOOR THERMOSTAT	626520R	626520R	626520R	626520R	626520R	626520R
REFRIGERANT VALVE (LG)	664478	664478	664479	664479	664479	664479
REFRIGERANT VALVE (SM)	664477	664477	664477	664477	664477	664477
REVERSING VALVE	669465R	669465R	M0079102	M0079102	M0079102	M0079102
REVERSING VALVE COIL	669470R	669470R	669937R	669937R	669937R	669937R
SCHRADER FITTING	664423	664423	664423	664423	664423	664423
SWIVEL CONNECTOR	664194R	664194R	664194R	664194R	664194R	664194R
TOP PAN	496162R	496162R	496162R	496162R	496162R	496162R

Please specify the correct Model No., Serial No., & part number(s) when ordering parts from the nearest authorized dealer or service center.

To replace a restrictor for the outdoor or indoor unit, refer to the Quick Reference Data document that came with your unit to determine the size of the restrictor. The part number scheme for restrictors is "664" and three decimal places of the size of the restrictor. For example, a 0.042" restrictor part number would be 664042.



Specifications & illustrations subject to change without notice or incurring obligations (10/13).



708995C (Replaces 708995B)