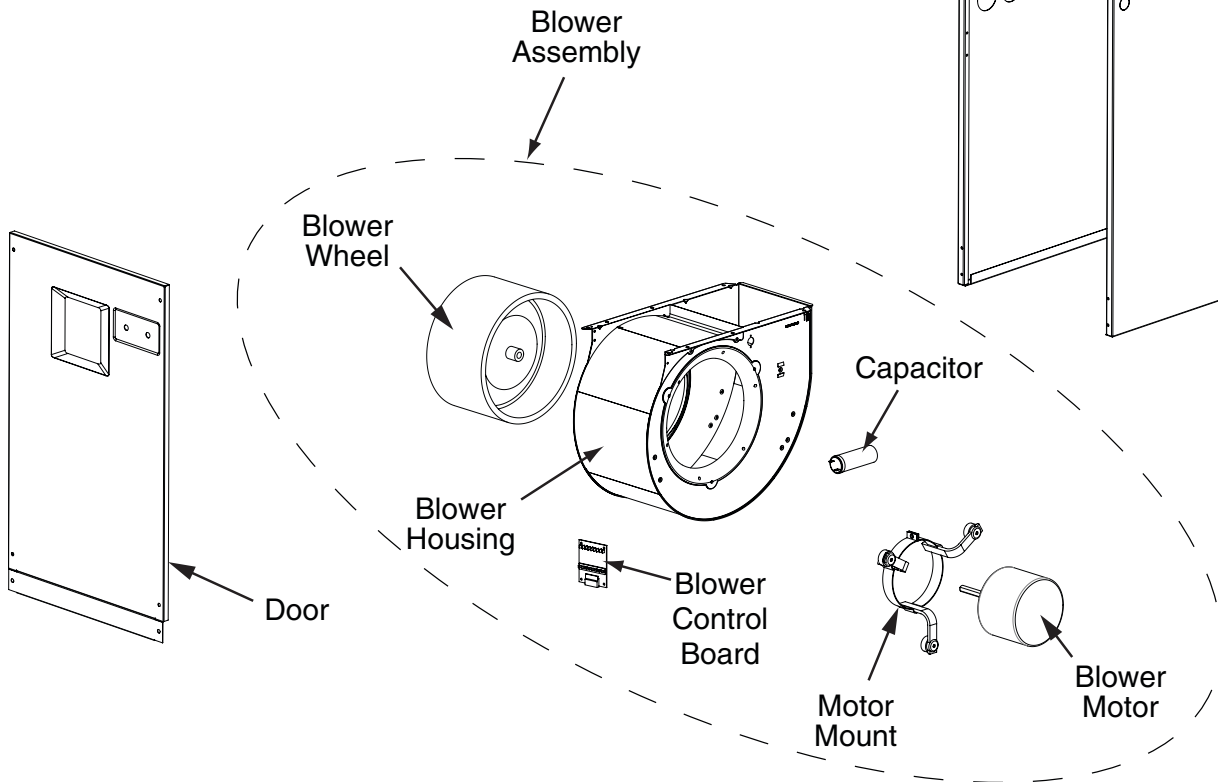
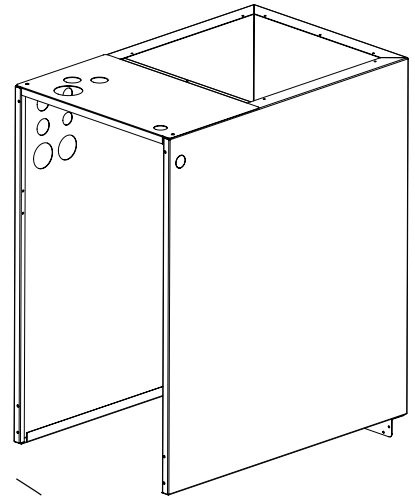
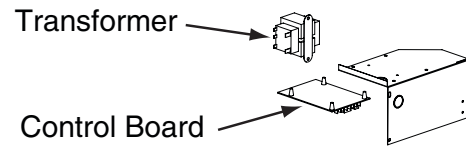
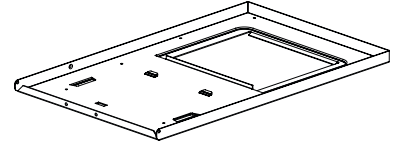
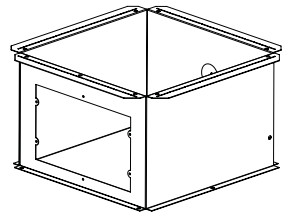


REPLACEMENT PARTS LIST

**MODULAR AIR HANDLER
MB7BM, MB7EM, & MB7VM SERIES**





MB7BM AIR HANDLER

DESCRIPTION	MB7BM-0800K-A	MB7BM-1200K-A	MB7BM-1200K-B	MB7BM-1600K-C	MB7BM-2000K-C
	921180	921181	921182	921183	921184
BLOWER ASSEMBLY	921852	921849	921854	921847	921863
BLOWER HOUSING	297210R	297210R	297212R	297212R	297219R
BLOWER MOTOR - PSC	622257R	622264R	622258R	622261R	621891R
BLOWER WHEEL	667251R	667251R	667037R	667207R	667280R
CONTROL BOARD - SINGLE STAGE	1016380R	1016380R	1016380R	1016380R	1016380R
CAPACITOR (NOT SHOWN)	01-0023	01-0027	01-0024	01-0026	01-0027
DOOR	921871	921871	921872	921873	921873
FUSE - 3 AMP (NOT SHOWN)	632261R	632261R	632261R	632261R	632261R
MOTOR MOUNT	913871	913871	913871	913871	903489
SET OF WIRES (NOT SHOWN)	921881	921881	921881	921881	921881
TRANSFORMER	621709R	621709R	621709R	621709R	621709R

Please specify the correct Model No., Serial No., and Part No.(s) when ordering parts from the nearest authorized dealer or service center.

MB7EM & MB7VM AIR HANDLER

DESCRIPTION	MB7EM-1200K-A	MB7EM-1600K-B	MB7EM-2000K-C	MB7VM-1200K-A	MB7VM-1600K-B	MB7VM-2000K-C	MB7EM-2000D-C
	921185	921186	921187	921188	921189	921190	922519
BLOWER ASSEMBLY	921850	921865	921862	921851	921855	921863	—
BLOWER CONTROL BOARD	624840R*	624840R*	624840R*	922016	922016	922016	624840R
BLOWER HOUSING	297210R	297217R	297219R	297210R	297217R	297219R	297219R
BLOWER MOTOR	622500R	622500R	622501R	622500R	622500R	622501R	622699R
BLOWER WHEEL	667251R	667258R	667280R	667251R	667258R	667280R	667280R
COMBINED MOTOR CONTROL BOARD	1006801R †	1006801R †	1006801R †	—	—	—	—
ELECTRIC CONTROL BOARD	624736R*	624736R*	624736R*	624736R	624736R	624736R	624736R
DOOR	921871	921872	921873	921871	921872	921873	921873
FUSE - 3 AMP (NOT SHOWN)	632261R	632261R	632261R	632261R	632261R	632261R	632261R
MOTOR MOUNT	913871	903489	903489	913871	903489	903489	903489
SET OF WIRES (NOT SHOWN)	921883	921883	921883	M0064403R	M0064403R	M0064403R	100678701R
TRANSFORMER	621709R	621709R	621709R	621709R	621709R	621709R	621850R

Please specify the correct Model No., Serial No., and Part No.(s) when ordering parts from the nearest authorized dealer or service center.

* Use on units produced on or before 12/31/2016.

† Use on units produced on or after 1/1/2017.



709179D
(Replaces 709179C)