

QUICK REFERENCE DATA

FS4BE Series Residential Split System Air Conditioner

14 SEER

MODEL NUMBER: FS4BE		018KA	024KA	030KA	036KA	042KA	048KA	060K	
ELECTRICAL DATA	Volts-Cycles-Phase (1)		208/230-60-1						
	Total Amps		9.9	14.4	15.0	15.1	19.4	21.3	27.6
	Delay Fuse Max. (2)		20	30	30	30	40	45	60
	Min. Circuit Ampacity		12.1	17.7	18.5	18.6	23.9	26.3	34.2
CONDENSER DATA	Coil	Area	10.0	11.7	15.2	20.3	22.8	22.8	25.4
		Rows-FPI	1-23	1-23	1-18	1-18	1-18	1-18	2-16
		Tube Dia	MC						3/8" O.D.
	Fan Motor	Type	PSC						
		Amps	0.9	0.9	0.9	1.0	1.5	1.5	1.4
		HP	0.13	0.13	0.13	0.20	0.25	0.25	0.25
Compressor Data	RLA	9.0	13.4	14.1	14.1	17.9	19.8	26.2	
	LRA	48.0	58.3	73.0	77.0	112.0	109.0	134.0	
REFRIGERANT SUCTION LINE O.D.		0-24 ft.	3/4"	3/4"	3/4"	3/4"	7/8"	7/8"	7/8"
NOTE: Liquid line is 3/8" O.D. for entire length.		25-39 ft.	3/4"	3/4"	3/4"	7/8" (3)	7/8"	7/8"	1-1/8" (4)
		40-75 ft.	3/4"	3/4"	3/4"	7/8" (3)	7/8"	7/8"	1-1/8" (4)
Refrigerant charge (R-410A) in ounces for outdoor unit, indoor unit and 15' line set. (5)			39.0	45.0	51.0	62.0	75.0	101.0	234.0
APPROXIMATE WEIGHT (LBS.)		Net	124	144	179	188	198	208	223
		Ship	130	151	187	197	207	217	235

- (1) Operating Voltage Range: 187v min. — 253v max.
- (2) HACR Type Circuit Breakers may be used.
- (3) Requires 7/8" to 3/4" reducer from line to unit.
- (4) Requires 7/8" to 1-1/8" reducer from line to unit.
- (5) Additional charge for line sets above 15 feet. Values based on suction line as follows with 3/8" liquid line.
 - (a) 3/4" = 0.6 oz. per additional foot.
 - (b) 7/8" = 0.7 oz. per additional foot.
 - (c) 1 1/8" = 0.8 oz. per additional foot.

Table 1. Electrical Specifications & Physical Data

Thermostat Wire Gauge	Recommended T-Stat Wire Unit to T-Stat (Length in FT)	
	2-Wire (Heating)	5-Wire (Heating/Cooling)
24	55	25
22	90	45
20	140	70
18	225	110

Table 2. Thermostat Wire Gauge

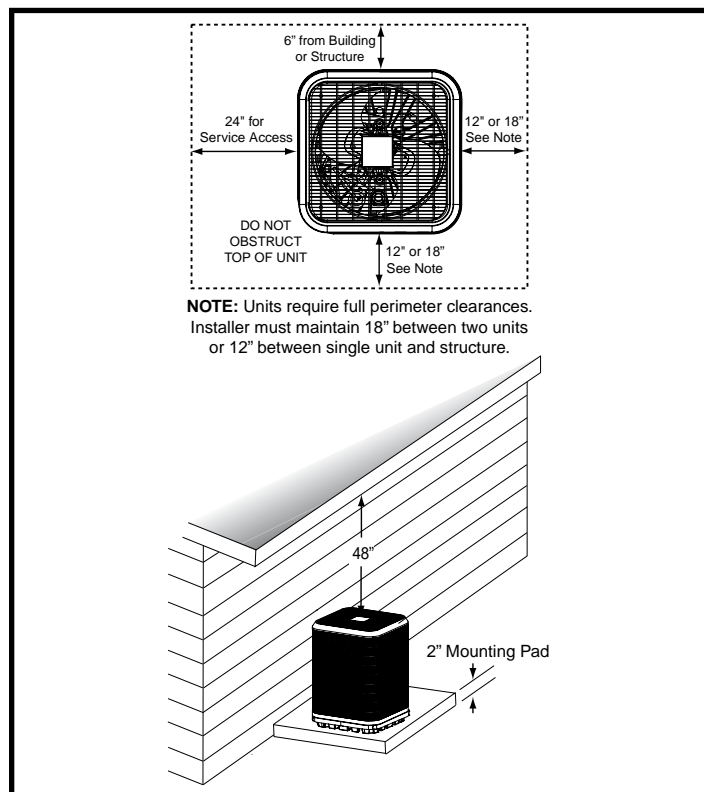
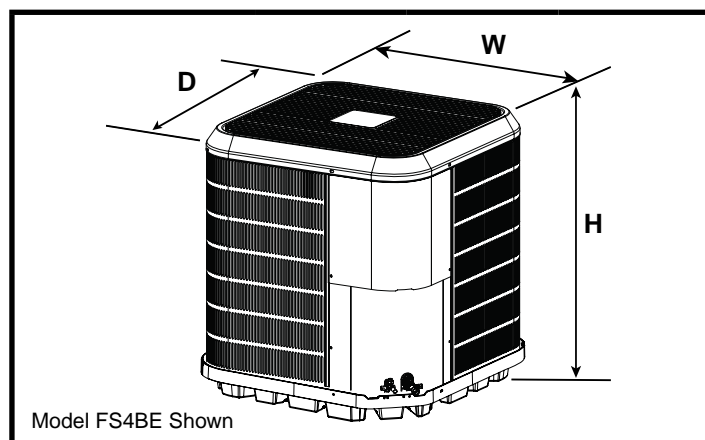


Figure 1. Clearance Requirements



MODEL NUMBER	HEIGHT (H)	WIDTH (W)	DEPTH (D)
FS4BE-018KA	29"	22 3/4"	22 3/4"
FS4BE-024KA	33"	22 3/4"	22 3/4"
FS4BE-030KA	29 1/2"	30 3/4"	30 3/4"
FS4BE-036KA	37"	30 3/4"	30 3/4"
FS4BE-042KA	41"	30 3/4"	30 3/4"
FS4BE-048KA	41"	30 3/4"	30 3/4"
FS4BE-060K	45"	30 3/4"	30 3/4"

Table 3. Unit Dimensions

Instructions:

1. Find the column for the model of outdoor unit that is being installed.
2. Find the row for the model of the indoor unit that is being installed.
3. Find the cell in the table in which this row and column meet. In this cell the appropriate orifice / TXV and charge addition for this match are listed. If the text in this cell is BOLD, then a change of orifice is necessary.
4. If a change in restrictor is necessary, then the appropriate restrictor will already be supplied with the outdoor unit.

Examples:

- For the FS4BE-018KA / B6EMMX24K-A match, the appropriate TXV is the 669564 and no additional charge needs to be added. (NO CHANGES ARE NECESSARY)
- For the FS4BE-042KA / C7B(A,H)M03642(C,U)-B match, the 920671A TXV Kit is needed as well as an additional 2 ounces of charge. (TXV KIT AND CHARGE ADJUSTMENT NEEDED)

MODEL NUMBER: FS4BE		018KA	024KA	030KA	036KA	042KA	048KA	060K
OUTDOOR UNIT BOM CHARGE (OZ.)		39	45	51	62	75	101	232
MODELS	SUPPLIED WITH ID	REQUIRED RESTRICTOR OR TXV (CHARGE ADDITION (OZ) / RATED AIRFLOW -SCFM)						
B6BM								
B6BM-X24K-A	669564	669564 (18 / 550)	669564 (22 / 705)	--	--	--	--	--
B6BM-X24K-B	669564	669564 (18 / 550)	669564 (22 / 705)	--	--	--	--	--
B6BM-X30K-A	669565	--	--	669565 (27 / 875)	--	--	--	--
B6BM-X30K-B	669565	--	--	669565 (27 / 875)	--	--	--	--
B6BM-X36K-B	669566	--	--	--	669566 (36 / 905)	--	--	--
B6BM-X42K-B	669567	--	--	--	--	669567 (19 / 1225)	--	--
B6BM-X48K-C	669568	--	--	--	--	--	669568 (22 / 1435)	--
B6BM-X60K-C	669578	--	--	--	--	--	--	669578 (2 / 1700)
B6EM								
B6EMMX24K-A	669564	669564 (0 / 540)	669564 (1 / 770)	--	--	--	--	--
B6EMMX24K-B	669564	669564 (0 / 540)	669564 (1 / 770)	--	--	--	--	--
B6EMMX30K-A	669565	--	--	669565 (2 / 1000)	--	--	--	--
B6EMMX30K-B	669565	--	--	669565 (2 / 1000)	--	--	--	--
B6EMMX36K-B	669566	--	--	--	669566 (13 / 1100)	--	--	--
B6EMMX42K-B	669567	--	--	--	--	669567 (0 / 1255)	--	--
B6EMMX48K-C	669852	--	--	--	--	--	669852 (0 / 1450)	--
B6EMMX60K-C	669578	--	--	--	--	--	--	669578 (0 / 1605)
B6EW								
B6EW-X18K	669564	669564 (2 / 550)	--	--	--	--	--	--
B6EW-X25K	669564	--	669564 (3 / 820)	--	--	--	--	--
B6EW-X30K	669565	--	--	669565 (0 / 975)	--	--	--	--
B6EW-X36K	669566	--	--	--	669566 (4 / 1070)	--	--	--

NOTES:

- The charges listed are only valid for the standard 15' lineset.
- Part numbers beginning with 669***are TXV part numbers and numbers listed as 0.*** are restrictor diameters.

**Table 4. REQUIRED RESTRICTOR OR TXV
(CHARGE ADDITION (OZ) / RATED AIRFLOW -SCFM)**

Instructions:

1. Find the column for the model of outdoor unit that is being installed.
2. Find the row for the model of the indoor unit that is being installed.
3. Find the cell in the table in which this row and column meet. In this cell the appropriate orifice / TXV and charge addition for this match are listed. If the text in this cell is BOLD, then a change of orifice is necessary.
4. If a change in restrictor is necessary, then the appropriate restrictor will already be supplied with the outdoor unit.

Examples:

- For the FS4BE-018KA / B6EMMX24K-A match, the appropriate TXV is the 669564 and no additional charge needs to be added. (NO CHANGES ARE NECESSARY)
- For the FS4BE-042KA / C7B(A,H)M03642(C,U)-B match, the 920671A TXV Kit is needed as well as an additional 2 ounces of charge. (TXV KIT AND CHARGE ADJUSTMENT NEEDED)

MODEL NUMBER: FS4BE		018KA	024KA	030KA	036KA	042KA	048KA	060K
OUTDOOR UNIT BOM CHARGE (OZ.)		39	45	51	62	75	101	232
MODELS	SUPPLIED WITH ID	REQUIRED RESTRICTOR OR TXV (CHARGE ADDITION (OZ) / RATED AIRFLOW -SCFM)						
B6VM								
B6VMAX24K-A	669564	669564 (18 / 550)	669564 (22 / 705)	--	--	--	--	--
B6VMAX24K-B	669564	669564 (29 / 550)	669564 (32 / 705)	--	--	--	--	--
B6VMAX30K-A	669565	--	--	669565 (27 / 875)	--	--	--	--
B6VMAX30K-B	669565	--	--	669565 (27 / 875)	--	--	--	--
B6VMAX36K-B	669566	--	--	--	669566 (36 / 905)	--	--	--
B6VMAX42K-B	669567	--	--	--	--	669567 (19 / 1225)	--	--
B6VMAX48K-C	669568	--	--	--	--	669568 (19 / 1225)	669568 (22 / 1435)	--
B6VMAX60K-C	669578	--	--	--	--	--	--	669578 (2 / 1600)
C6								
C6B(A,H)-X24(C,U)-A	669564	669564 (18 / 550)	669564 (29 / 770)	--	--	--	--	--
C6B(A,H)-X24(C,U)-B	669681	669681 (18 / 550)	669681 (29 / 770)	--	--	--	--	--
C6B(A,H)-X30(C,U)-A	669565	--	--	669565 (27 / 950)	--	--	--	--
C6B(A,H)-X30(C,U)-B	669682	--	--	669682 (27 / 950)	--	--	--	--
C6B(A,H)-X36(C,U)-B	669683	--	--	--	669683 (36 / 1105)	--	--	--
C6B(A,H)-X42(C,U)-B	669684	--	--	--	--	669684 (26 / 1210)	--	--
C6B(A,H)-X48(C,U)-C	669852	--	--	--	--	--	669852 (22 / 1435)	--
C6B(A,H)-X48(C,U)-D	669852	--	--	--	--	--	669852 (22 / 1435)	--
C6B(A,H)-X60(C,U)-C	669686	--	--	--	--	--	--	669686 (2 / 1650)
C6B(A,H)-X60(C,U)-D	669686	--	--	--	--	--	--	669686 (2 / 1650)

NOTES:

- The charges listed are only valid for the standard 15' lineset.
- Part numbers beginning with 669***are TXV part numbers and numbers listed as 0.*** are restrictor diameters.

**Table 4. REQUIRED RESTRICTOR OR TXV
(CHARGE ADDITION (OZ) / RATED AIRFLOW -SCFM) - Continued**

Instructions:

1. Find the column for the model of outdoor unit that is being installed.
2. Find the row for the model of the indoor unit that is being installed.
3. Find the cell in the table in which this row and column meet. In this cell the appropriate orifice / TXV and charge addition for this match are listed. If the text in this cell is BOLD, then a change of orifice is necessary.
4. If a change in restrictor is necessary, then the appropriate restrictor will already be supplied with the outdoor unit.

Examples:

- For the FS4BE-018KA / B6EMMX24K-A match, the appropriate TXV is the 669564 and no additional charge needs to be added. (NO CHANGES ARE NECESSARY)
- For the FS4BE-042KA / C7B(A,H)M03642(C,U)-B match, the 920671A TXV Kit is needed as well as an additional 2 ounces of charge. (TXV KIT AND CHARGE ADJUSTMENT NEEDED)

ID Restrictor Installed With ID Unit	MODEL NUMBER: FS4BE		018KA	024KA	030KA	036KA	042KA	048KA	060K	
	OUTDOOR UNIT BOM CHARGE (OZ.)		39	45	51	62	75	101	232	
	MODELS	SUPPLIED WITH ID	REQUIRED RESTRICTOR OR TXV (CHARGE ADDITION (OZ) / RATED AIRFLOW -SCFM)							
	C7-0									
	C7B(A,H)M01824(C,U)-A	0.048	920668A (2 / 680)	920668A (0 / 845)	--	--	--	--	--	--
	C7B(A,H)M01824(C,U)-B	0.055	920668A (2 / 680)	920668A (0 / 845)	--	--	--	--	--	--
	C7B(A,H)M03036(C,U)-A	0.061	--	--	920669A (11 / 945)	--	--	--	--	--
	C7B(A,H)M03036(C,U)-B	0.067	--	--	920669A (11 / 945)	--	--	--	--	--
	C7B(A,H)M03642(C,U)-B	0.071	--	--	--	920670A (1 / 1110)	920671A (2 / 1305)	--	--	--
	C7B(A,H)M03648(C,U)-C	0.067	--	--	--	920670A (1 / 1110)	920671A (2 / 1305)	--	--	--
C7B(A,H)M04860(C,U)-C	0.077	--	--	--	--	--	920672A (1 / 1525)	920673A (12 / 1555)	--	
C7B(A,H)M04860(C,U)-D	0.087	--	--	--	--	--	920672A (1 / 1525)	920673A (12 / 1555)	--	

NOTES:

- The charges listed are only valid for the standard 15' lineset.
- Part numbers beginning with 669***are TXV part numbers and numbers listed as 0.*** are restrictor diameters.

**Table 4. REQUIRED RESTRICTOR OR TXV
(CHARGE ADDITION (OZ) / RATED AIRFLOW -SCFM) - Continued**

