

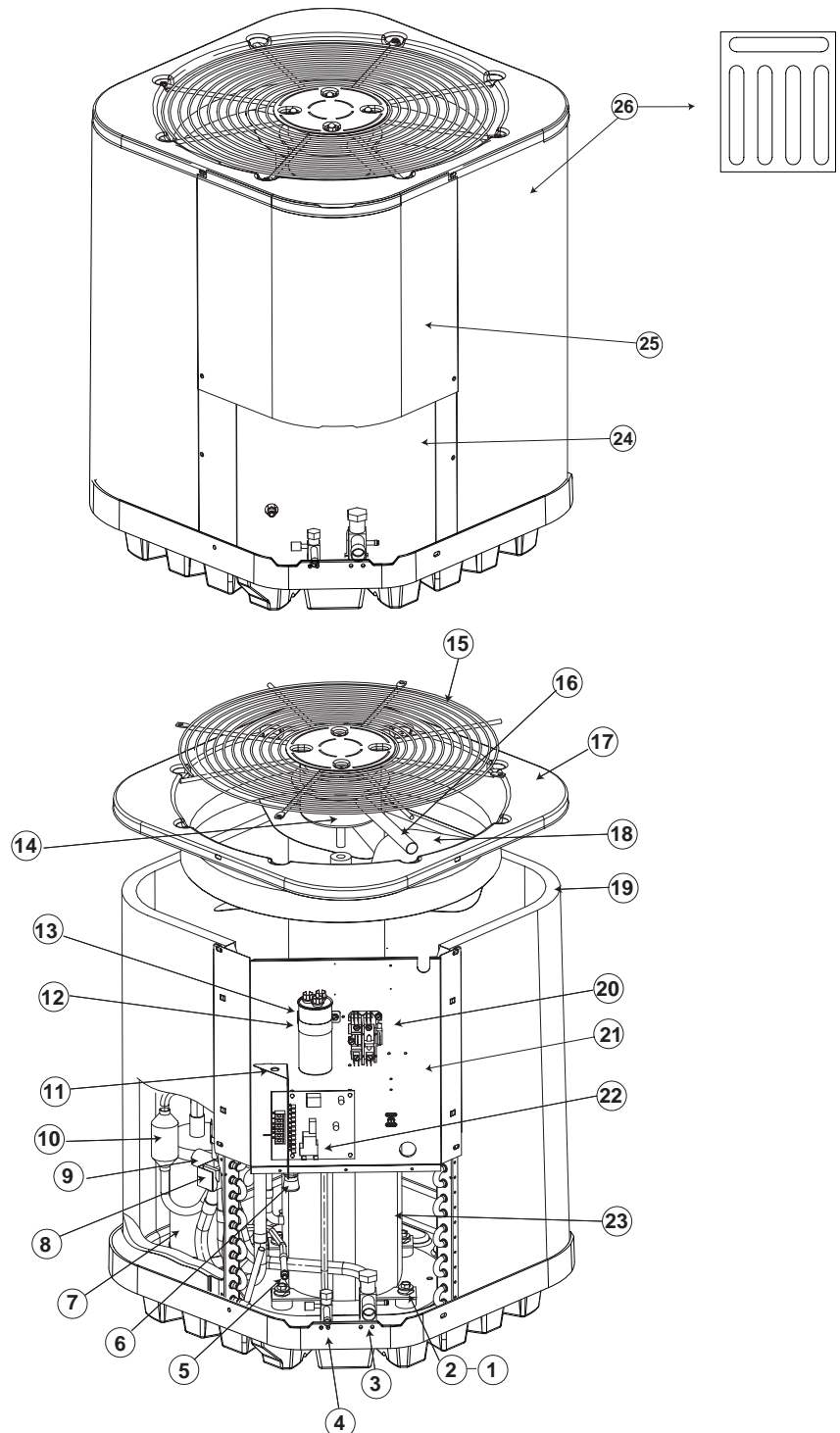
# REPLACEMENT PARTS LIST

Residential Split System Heat Pump

VT5BD Series

13 SEER Models

ITEM #	COMPONENT
1	Compressor Bolt
2	Compressor Grommet
3	Refrigerant Valve (LG)
4	Refrigerant Valve (SM)
5	Shrader Valve
6	Swivel Connector
7	Accumulator
8	Reversing Valve Coil
9	Reversing Valve
10	Muffler
11	Low Voltage Divider
12	Capactor Strap
13	Capacitor
14	Outdoor Fan Motor
15	Outdoor Fan Grille
16	Motor Wire Conduit
17	Top Pan
18	Outdoor Fan Blade
19	Outdoor Coil
20	Contactora
21	Control Box
22	Defrost Board
23	Compressor
24	Access Panel
25	Control Box Cover
26	Outdoor Coil Guard



## VT5BD Series Residential Split System Heat Pump

COMPONENT	VT5BD-018K	VT5BD-024KA	VT5BD-030KA	VT5BD-036K	VT5BD-042K	VT5BD-048K	VT5BD-060K
	918853V	919803V	919804V	918856V	918857V	918858V	918859V
Access Panel	274012BR	274012BR	274015BR	274016BR	274015BR	274016BR	274016BR
Accumulator	668853	668853	668853	668794	668854	668854	668854
Capacitor	01-0082	01-0083	01-0084	01-0086	01-0087	01-0274	01-0279
Compressor Bolt	600426	600426	600426	600426	600426	600426	600426
Compressor Grommet	668530	668530	668530	668530	668530	668530	668530
Compressor Molded Plug	634660R	634660R	634660R	634660R	634660R	634660R	634660R
Contacto	624712	624712	624712	624712	624712	624713	624714
Control Box	2B7881	2B7881	2B7881	2B7881	2B7881	2B7881	2B7881
Control Box Cover	276921B	276921B	276921B	276921B	276921B	276921B	276921B
Crankcase Heater	632410	632410	632410	632410	632410	632410	632410
Defrost Board	917178A	917178A	917178A	917178A	917178A	917178A	917178A
Defrost Sensor	626491R	626491R	626491R	626491R	626491R	626491R	626491R
Distributor	663579R	663579R	663579R	663581R	663581R	663582R	663584R
Low Voltage Divider	258791	258791	258791	258791	258791	258791	258791
Motor Wire Conduit	664290	664290	664290	664290	664290	664290	664290
Muffler	669546R	669546R	669546R	669546R	669546R	669546R	669546R
Outdoor Coil	2A6690RD	2A6690RD	499533RD	2B6001RD	499538RD	2B6041RD	499536RD
Outdoor Coil Guard	275692B	275692B	275695B	275696B	275695B	275696B	275696B
Outdoor Fan Blade	667357R	667357R	667383	667359R	667359R	667383	667383
Outdoor Fan Grille	669335R	669335R	669335R	669335R	669335R	669335R	669335R
Outdoor Fan Motor	622171	622171	622171	622080	622080	622066	622066
Refrigerant Valve (LG)	663864R	663864R	663864R	663865R	663865R	663865R	663865R
Refrigerant Valve (SM)	663862R	663862R	663862R	663862R	663862R	663862R	663862R
Reversing Valve	669464R	669464R	669465R	M0079102	M0079102	M0079102	M0079102
Reversing Valve Coil	669470R	669470R	669470R	669470R	669470R	669470R	669470R
Schrader Fitting	664423	664423	664423	664423	664423	664423	664423
Swivel Connector	664194R	664194R	664194R	664194R	664194R	664194R	664194R

Please specify Model No., Serial No., & the correct part number(s) when ordering parts from the nearest authorized dealer or service center. Components listed in this table may be used for all units (with POE or mineral oil compressors).

To replace a restrictor for the outdoor or indoor unit, refer to the Quick Reference Data document that came with your unit to determine the size of the restrictor. The part number scheme for restrictors is "664" and three decimal places of the size of the restrictor. For example, a 0.042" restrictor part number would be 664042.

UNITS EQUIPPED WITH POE OIL COMPRESSORS							
COMPONENT	VT5BD-018K	VT5BD-024KA	VT5BD-030KA	VT5BD-036K	VT5BD-042K	VT5BD-048K	VT5BD-060K
	918853V	919803V	919804V	918856V	918857V	918858V	918859V
Compressor	921043	921045	921046	921048	921049	921050	921052

UNITS EQUIPPED WITH MINERAL OIL COMPRESSORS							
COMPONENT	VT5BD-018KMIN	VT5BD-024KAMIN	VT5BD-030KAMIN	VT5BD-036KMIN	VT5BD-042KMIN	VT5BD-048KMIN	VT5BD-060KMIN
	921960V	921961V	921962V	921963V	921964V	921965V	921966V
Compressor	921043	921045	921046	921048	921049	921050	921052

**NORDYNE**  
COMPLETE COMFORT. GENUINE VALUE.



Specifications & illustrations subject to change without notice or incurring obligations.  
O' Fallon MO | Printed in U.S.A (06/12)

7093930 (NEW)