

REPLACEMENT PARTS LIST

GUH & GDD SERIES

SINGLE STAGE CONDENSING & NON-CONDENSING FURNACES

NON-CONDENSING GAS FURNACES

80+ AFUE



**GUH80A Upflow / Horizontal
Furnace**



**GDD80A Downflow
Furnace**

CONDENSING GAS FURNACES

92.1% AFUE



**GUH92A Upflow / Horizontal
Furnace**



**GDD92A Downflow
Furnace**

95.0 % AFUE



**GUH95A Upflow / Horizontal
Furnace**



**GDD95A Downflow
Furnace**

80+ AFUE

GUH80A Upflow / Horizontal Replacement Parts List.....	Page 2
GDD80A Downflow Replacement Parts List	Page 3
Upflow / Horizontal Component Location	Page 4
Downflow Component Location.....	Page 5

92.1% & 95.0% AFUE

GUH92A Upflow / Horizontal Replacement Parts List.....	Page 6
GDD92A Downflow Replacement Parts List	Page 7
GUH95A Upflow / Horizontal Replacement Parts List.....	Page 8
GDD95A Downflow Replacement Parts List	Page 9
Upflow / Horizontal Component Location.....	Page 10
Downflow Component Location.....	Page 11

GUH80A UPFLOW / HORIZONTAL NON-CONDENSING GAS FURNACE - 80% + AFUE

ITEM	DESCRIPTION	045A3XE	054A3XE	072B4XE	090B4XE	072C5XE	090C5XE	108C5XE	126D5XE
1	DOOR SET	904767Y	904767Y	904768Y	904768Y	904769Y	904769Y	904769Y	904770Y
2	TOP PANEL	295911R	295911R	295912R	295912R	295913R	295913R	295913R	—
3	COLLECTOR PAN WITH GASKET	904805	904901	904998	904807	905016	904809	904810	—
4	INDUCER MOTOR	904999	904999	904999	904999	904999	904999	904999	904999
5	INDUCER GASKET (NOT SHOWN)	689988R	689988R	689988R	689988R	689988R	689988R	689988R	689988R
6	TRANSFORMER	622341	622341	622341	622341	622341	622341	622341	622341
7	CONTROL BOARD	920915	920915	920915	920915	920915	920915	920915	920915
8	FUSE	632261	632261	632261	632261	632261	632261	632261	632261
9	PRESSURE SWITCH	632489R	632489R	632489R	632489R	632489R	632488R	632636	632520R
10	HEAT EXCHANGER	904779	904779	904780	904781	904782	904783	904868	904785
11	MAIN AIR LIMIT	626614	626601	626561R	626613	626616	626614	626614	626598
12	BURNER ASSEMBLY	904819	904820	904822	904824	904822	904824	904826	904828
13	IGNITOR ASSEMBLY - NITRIDE	1017743S	1017743S	1017743S	1017743S	1017743S	1017743S	1017743S	1017743S
14	IGNITER BRACKET (NOT SHOWN)	299261R	299261R	299261R	299261R	299261R	299261R	299261R	299261R
15	INSHOT BURNER	661134	661134	661134	661134	661134	661134	661134	661134
16	MANIFOLD, BURNER TUBE	664228R	664228R	664229R	664230R	664229R	664230R	664231R	664232
17	ORIFICE, MAIN BURNER, NAT. GAS	661049R	661047R	661047R	661047R	661047R	661047R	661047R	661047R
18	FLAME SENSOR	632484R	632484R	632484R	632484R	632484R	632484R	632484R	632484R
19	GAS VALVE	624775R	624775R	624775R	624775	624775	624775	624775	624775
20	ROLL-OUT SWITCH	626610	626610	626610	626610	626610	626609	626610	626610
21	DOOR SWITCH	632125R	632125R	632125R	632125R	632125R	632125R	632125R	632125R
22	BLOWER ASSEMBLY	904681	904681	904682	904682	904683	904683	904684	904684
23	BLOWER HOUSING ASSEMBLY	297200R	297200R	297207R	297207R	297204R	297204R	297209R	297209R
24	CAPACITOR	01-0024	01-0024	01-0024	01-0024	01-0026	01-0026	01-0026	01-0026
25	MOTOR, BLOWER	904857	904857	904858	904858	904859	904859	904860	904860
26	WHEEL, BLOWER	667251	667251	667258R	667258R	667207R	667207R	667280R	667280R
27	BLOWER LIMIT	626611	626611	626611	626611	626611	626611	626611	626611
28	REPL. MOTOR MOUNT KIT	N/A	N/A	904951	904951	904980	904980	904951	904951
29	HOSE, HIGH TEMP (NOT SHOWN)	263967R	263967R	263967R	263967R	263967R	263967R	263967R	263967R
30	SET OF WIRES (NOT SHOWN)	M0036001R	M0036001R	M0036001R	M0036001R	M0036005R	M0036005R	M0036005R	M0036005R

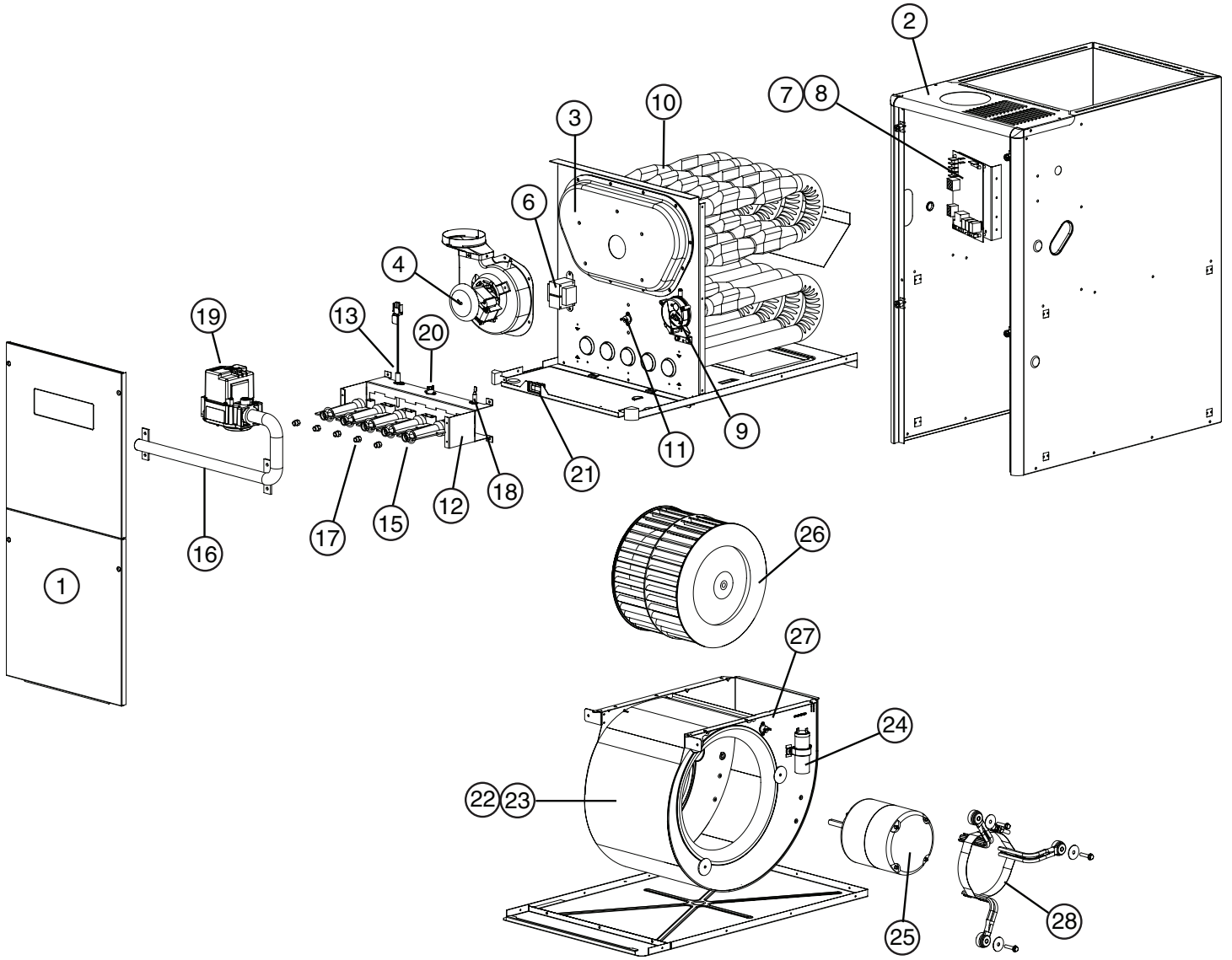
Please specify the correct Model No., Serial No, and part number(s) when ordering parts from the nearest authorized dealer or service center.
FOR COMPONENT LOCATIONS, SEE PAGE 4.

GDD80A DOWNFLOW NON-CONDENSING GAS FURNACE - 80% + AFUE

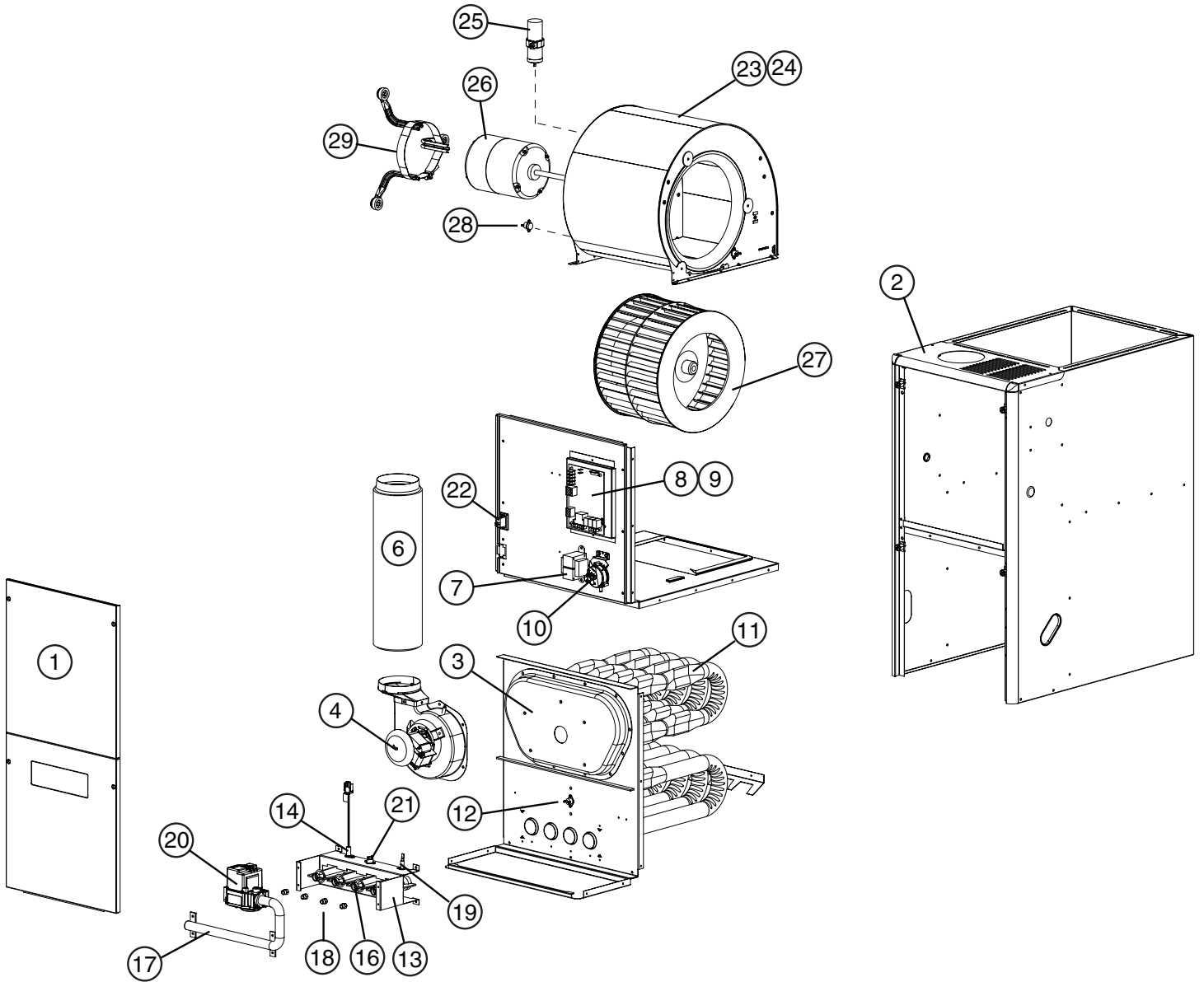
ITEM	DESCRIPTION	054A3XE	072B4XE	090B4XE	108C5XE	126D5XE
1	DOOR SET	904767Y	904768Y	904768Y	904769Y	904770Y
2	TOP PANEL	295911R	295912R	295912R	295913R	—
3	COLLECTOR PAN WITH GASKET	904901	904806	904806	905017	—
4	INDUCER MOTOR	904999	904999	904999	904999	904999
5	INDUCER GASKET (NOT SHOWN)	689988R	689988R	689988R	689988R	689988R
6	COMBUSTION TUBE	299291	299291	299291	299291	299291
7	TRANSFORMER	622341	622341	622341	622341	622341
8	CONTROL BOARD	920915	920915	920915	920915	920915
9	FUSE	632261	632261	632261	632261	632261
10	PRESSURE SWITCH	632488R	632489R	632489R	632488R	632488R
11	HEAT EXCHANGER	904779	904780	904781	904868	904785
12	MAIN AIR LIMIT	626601	626601	626617	626617	626601
13	BURNER ASSEMBLY	904820	904822	904824	904826	904828
14	IGNITOR ASSEMBLY - NITRIDE	1017743S	1017743S	1017743S	1017743S	1017743S
15	IGNITER BRACKET (NOT SHOWN)	299261R	299261R	299261R	299261R	299261R
16	INSHOT BURNER	661134	661134	661134	661134	661134
17	MANIFOLD, BURNER TUBE	664228R	664229R	664230R	664231R	664232R
18	ORIFICE, MAIN BURNER, NATURAL GAS	661047R	661047R	661047R	661047R	661047R
19	FLAME SENSOR	632484R	632484R	632484R	632484R	632484R
20	GAS VALVE	624775R	624775R	624775R	624775R	624775R
21	ROLL-OUT SWITCH	626610	626610	626610	626609	626609
22	DOOR SWITCH	632125R	632125R	632125R	632125R	632125R
23	BLOWER ASSEMBLY	904681	904682	904682	904684	904684
24	BLOWER HOUSING ASSEMBLY	297200R	297207R	297207R	297209R	294209R
25	CAPACITOR	01-0024	01-0024	01-0024	01-0026	01-0026
26	MOTOR, BLOWER	904857	904858	904858	904860	904860
27	WHEEL, BLOWER	667251	667258R	667258R	667280R	667280R
28	BLOWER LIMIT	626611	626611	626611	626611	626611
29	REPL. MOTOR MOUNT KIT	N/A	904951	904951	904951	904951
30	HOSE, HIGH TEMPERATURE (NOT SHOWN)	263967R	263967R	263967R	263967R	263967R
31	SET OF WIRES (NOT SHOWN)	M0036035R	M0036038R	M0036038R	M0036030R	M0036030R

Please specify the correct Model No., Serial No, and part number(s) when ordering parts from the nearest authorized dealer or service center.
FOR COMPONENT LOCATIONS, SEE PAGE 5.

GUH80A 80% + UPFLOW / HORIZONTAL COMPONENT LOCATION



GDD80A 80% + DOWNFLOW COMPONENT LOCATION



GUH92A UPFLOW / HORIZONTAL CONDENSING GAS FURNACE - 92.1% AFUE

ITEM	DESCRIPTION	038A3XE	054B4XE	072B4XE	072C5XE	090C5XE	108D5XE	120D5XE
1	DOOR SET	904767Y	904768Y	904768Y	904769Y	904769Y	904770Y	904770Y
2	TOP PANEL	2B3551R	2B3552R	2B3552R	2B3553R	2B3553R	2B3554R	2B3554R
3	BURNER ASSEMBLY	904818	904821	904823	904823	904825	904827	—
4	IGNITOR ASSEMBLY - NITRIDE	1017743S	1017743S	1017743S	1017743S	1017743S	1017743S	1017743S
5	IGNITER BRACKET (NOT SHOWN)	299261R	299261R	299261R	299261R	299261R	299261R	299261R
6	INSHOT BURNER	661134	661134	661134	661134	661134	661134	661134
7	MANIFOLD, BURNER TUBE	664237R	664238R	664239R	664239R	664240R	664241R	664241R
8	ORIFICE, MAIN BURNER, NAT. GAS	661045R	661047R	661047R	661047R	661047R	661047R	661045R
9	FLAME SENSOR	632484R	632484R	632484R	632484R	632484R	632484R	632484R
10	GAS VALVE	624775	624775	624775	624775	624775	624775	624775
11	ROLL-OUT SWITCH	626608	626608	626609	626609	626609	626609	626608
12	CONTROL BOARD	920915	920915	920915	920915	920915	920915	920915
13	FUSE	632261	632261	632261	632261	632261	632261	632261
14	HEAT EXCHANGER	904786	904869	904788	904870	904871	904791	904791
15	MAIN AIR LIMIT	626598	626614	626613	626614	626613	626614	626614
16	INDUCER MOTOR	904798	904798	904798	904798	904798	904798	904798
17	INDUCER ORIFICE	669719R	669712R	669713R	669715R	669717R	Not Used	Not Used
18	INDUCER LIMIT	626599	626599	626599	626599	626599	626599	626599
19	OUTLET HEADER BOX	904801	904802	904802	904803	904803	904804	904804
20	PRESSURE SWITCH (CONDENSATE)	632585	632491	632622	632491	632491	632491	632491
21	PRESSURE SWITCH (INDUCER)		632487R	632495R	632493R	632493R	632493R	632493R
22	TRANSFORMER	622341	622341	622341	622341	622341	622341	622341
23	DOOR SWITCH	632125R	632125R	632125R	632125R	632125R	632125R	632125R
24	BLOWER ASSEMBLY	904681	904682	904682	904683	904684	904684	904684
25	BLOWER HOUSING ASSEMBLY	297200R	294207R	297207R	297204R	297209R	297209R	297209R
26	CAPACITOR	01-0004	01-0024	01-0024	01-0026	01-0026	01-0026	01-0026
27	MOTOR, BLOWER	904857	904858	904858	904859	904860	904860	904860
28	WHEEL, BLOWER	667251	667258R	667258R	667207R	667280R	667280R	667280R
29	BLOWER LIMIT	626611	626611	626611	626611	626611	626611	626611
30	REPL. MOTOR MOUNT KIT	N/A	904951	904951	904980	904951	904951	904951
31	IN-LINE DRAIN ASSEMBLY	664435R	664435R	664435R	664435R	664435R	664435R	664435R
32	DRAIN TUBE, SOFT, 23" (NOT SHOWN)	664434	664434	664434	664434	664434	664434	664434
33	DRAIN TUBE, HARD "J"(NOT SHOWN)	663706R	663706R	663706R	663706R	663706R	663706R	663706R
34	DRAIN TUBE, SOFT, "J" 30"(NOT SHOWN)	663707	663707	663707	663707	663707	663707	663707
35	TUBE, SOFT, 6.5" (NOT SHOWN)	663727	663727	663727	663727	663727	663727	663727
36	HOSE, HIGH TEMPERATURE (NOT SHOWN)	263967R	263967R	263967R	263967R	263967R	263967R	263967R
37	SET OF WIRES (NOT SHOWN)	M0036009R	M0036003R	M0036003R	M0036007R	M0036007R	M0036007R	M0036007R
38	FINISH FLANGE, INLET AIR	664633	664633	664633	664633	664633	664633	664633

Please specify the correct Model No., Serial No, and part number(s) when ordering parts from the nearest authorized dealer or service center.
FOR COMPONENT LOCATIONS, SEE PAGE 10.

GDD92A DOWNFLOW CONDENSING GAS FURNACE - 92.1% AFUE

ITEM	DESCRIPTION	054B4XE	072B4XE	090C5XE	120D5XE
1	DOOR SET	904768Y	904768Y	904769Y	904770Y
2	TOP PANEL	2B3562R	2B3562R	2B3563R	—
3	BURNER ASSEMBLY	904821	904823	904825	904997
4	IGNITOR ASSEMBLY - NITRIDE	1017743S	1017743S	1017743S	1017743S
5	IGNITER BRACKET (NOT SHOWN)	299261R	299261R	299261R	299261R
6	INSHOT BURNER	661134	661134	661134	661134
7	MANIFOLD, BURNER TUBE	664238R	664239R	664240R	664241R
8	ORIFICE, MAIN BURNER, NATURAL GAS	661047R	661047R	661047R	661045R
9	FLAME SENSOR	632484R	632484R	632484R	632484R
10	GAS VALVE	624775	624775	624775	624775
11	ROLL-OUT SWITCH	626609	626610	626610	626610
12	CONTROL BOARD	920915	920915	920915	920915
13	FUSE	632261	632261	632261	632261
14	HEAT EXCHANGER	904869	904788	904871	904791
15	MAIN AIR LIMIT	626598	626598	626613	626598
16	INDUCER MOTOR	904798	904798	904798	904798
17	INDUCER ORIFICE	669712R	669713R	669714R	Not Used
18	INDUCER LIMIT	626599	626599	626599	626599
19	OUTLET HEADER BOX	904802	904802	904803	904804
20	PRESSURE SWITCH (INDUCER)	632487R	632487R	632487R	632487R
21	TRANSFORMER	622341	622341	622341	622341
22	DOOR SWITCH	632125R	632125R	632125R	632125R
23	BLOWER ASSEMBLY	904682	904682	904684	904684
24	BLOWER HOUSING ASSEMBLY	297207R	297207R	297209R	297209R
25	CAPACITOR	01-0024	01-0024	01-0026	01-0026
26	MOTOR, BLOWER	904858	904858	904860	904860
27	WHEEL, BLOWER	667258R	667258R	667280R	667280R
28	BLOWER LIMIT/BLOWER DECK LIMIT	626611	626611	626611	626611
29	REPL. MOTOR MOUNT KIT	904951	904951	904951	904951
30	IN-LINE DRAIN ASSEMBLY	664435R	664435R	664435R	664435R
31	DRAIN TUBE, SOFT, 23" (NOT SHOWN)	664434	664434	664434	664434
32	DRAIN TUBE, HARD "J" (NOT SHOWN)	663706R	663706R	663706R	663706R
33	DRAIN TUBE, SOFT, "J" 30" (NOT SHOWN)	663707	663707	663707	663707
35	HOSE, HIGH TEMPERATURE (NOT SHOWN)	263967R	263967R	263967R	263967R
36	SET OF WIRES (NOT SHOWN)	M0036004R	M0036004R	M0036029RR	M0036029RR
38	FINISH FLANGE, INLET AIR	664633	664633	664633	664633

Please specify the correct Model No., Serial No, and part number(s) when ordering parts from the nearest authorized dealer or service center.
FOR COMPONENT LOCATIONS, SEE PAGE 11.

GUH95A UPFLOW / HORIZONTAL CONDENSING GAS FURNACE - 95.0% AFUE

ITEM	DESCRIPTION	038B4XE	054B4XE	072C5XE	090C5XE	108D5XE	120D5XE
1	DOOR SET	904768Y	904768Y	904769Y	904769Y	904770Y	904770Y
2	TOP PANEL	2A9512R	2A9512R	2A9513R	2A9513R	2A9514R	2A9514R
3	BURNER ASSEMBLY	905020	905021	905022	905023	905024	905025
4	IGNITOR ASSEMBLY - NITRIDE	1017743S	1017743S	1017743S	1017743S	1017743S	1017743S
5	IGNITER BRACKET (NOT SHOWN)	299261R	299261R	299261R	299261R	299261R	299261R
6	INSHOT BURNER	661128	661128	661128	661128	661128	661128
7	MANIFOLD, BURNER TUBE	664473	664473	664243R	664244R	664245	664245
8	ORIFICE, MAIN BURNER, NAT. GAS	661051R	661047R	661047R	661047R	661046R	661045R
9	FLAME SENSOR	632484R	632484R	632484R	632484R	632484R	632484R
10	GAS VALVE	624775	624775	624775	624775	624775	624775
11	ROLL-OUT SWITCH	626609	626610	626610	626610	626610	626610
12	CONTROL BOARD	920915	920915	920915	920915	920915	920915
13	FUSE	632261	632261	632261	632261	632261	632261
14	HEAT EXCHANGER	904792	904792	904793	904794	904795	904795
15	MAIN AIR LIMIT	624461R	626598	626598	626561R	626561R	626561R
16	INDUCER MOTOR	904798	904798	904798	904798	904798	904798
17	INDUCER ORIFICE	669927	669718R	669719R	669734R	669715R	669717R
18	INDUCER LIMIT	626599	626599	626599	626599	626599	626599
19	OUTLET HEADER BOX	904802	904802	904803	904803	904804	904804
20	PRESSURE SWITCH (CONDENSATE)	632674	632493R	632493	632624	632445	632622R
21	PRESSURE SWITCH (INDUCER)	632673	632487R	632487R	632487R	632675	632571
22	TRANSFORMER	622341	622341	622341	622341	622341	622341
23	DOOR SWITCH	632125R	632125R	632125R	632125R	632125R	632125R
24	BLOWER ASSEMBLY	904682	904682	904683	904684	904684	904684
25	BLOWER HOUSING ASSEMBLY	294207R	294207R	297204R	297209R	297209R	297209R
26	CAPACITOR	01-0024	01-0024	01-0026	01-0026	01-0026	01-0026
27	MOTOR, BLOWER	904858	904858	904859	904860	904860	904860
28	WHEEL, BLOWER	667258R	667258R	667207R	667280R	667280R	667280R
29	BLOWER LIMIT	626611	626611	626611	626611	626611	626611
30	REPL. MOTOR MOUNT KIT	904951	904951	904980	904951	904951	904951
31	IN-LINE DRAIN ASSEMBLY	664435R	664435R	664435R	664435R	664435R	664435R
32	DRAIN TUBE, SOFT, 23" (NOT SHOWN)	664434	664434	664434	664434	664434	664434
33	DRAIN TUBE, HARD "J"(NOT SHOWN)	663706R	663706R	663706R	663706R	663706R	663706R
34	DRAIN TUBE, SOFT, "J" 30"(NOT SHOWN)	663707	663707	663707	663707	663707	663707
35	TUBE, SOFT, 6.5" (NOT SHOWN)	663727	663727	663727	663727	663727	663727
36	HOSE, HIGH TEMPERATURE (NOT SHOWN)	263967R	263967R	263967R	263967R	263967R	263967R
37	SET OF WIRES (NOT SHOWN)	M0036003R	M0036003R	M0036007R	M0036007R	M0036007R	M0036007R
38	FINISH FLANGE, INLET AIR	664633	664633	664633	664633	664633	664633
39	PVC TRAP (NOT SHOWN)	664659R	664659R	664659R	664659R	664659R	664659R

Please specify the correct Model No., Serial No., and part number(s) when ordering parts from the nearest authorized dealer or service center.

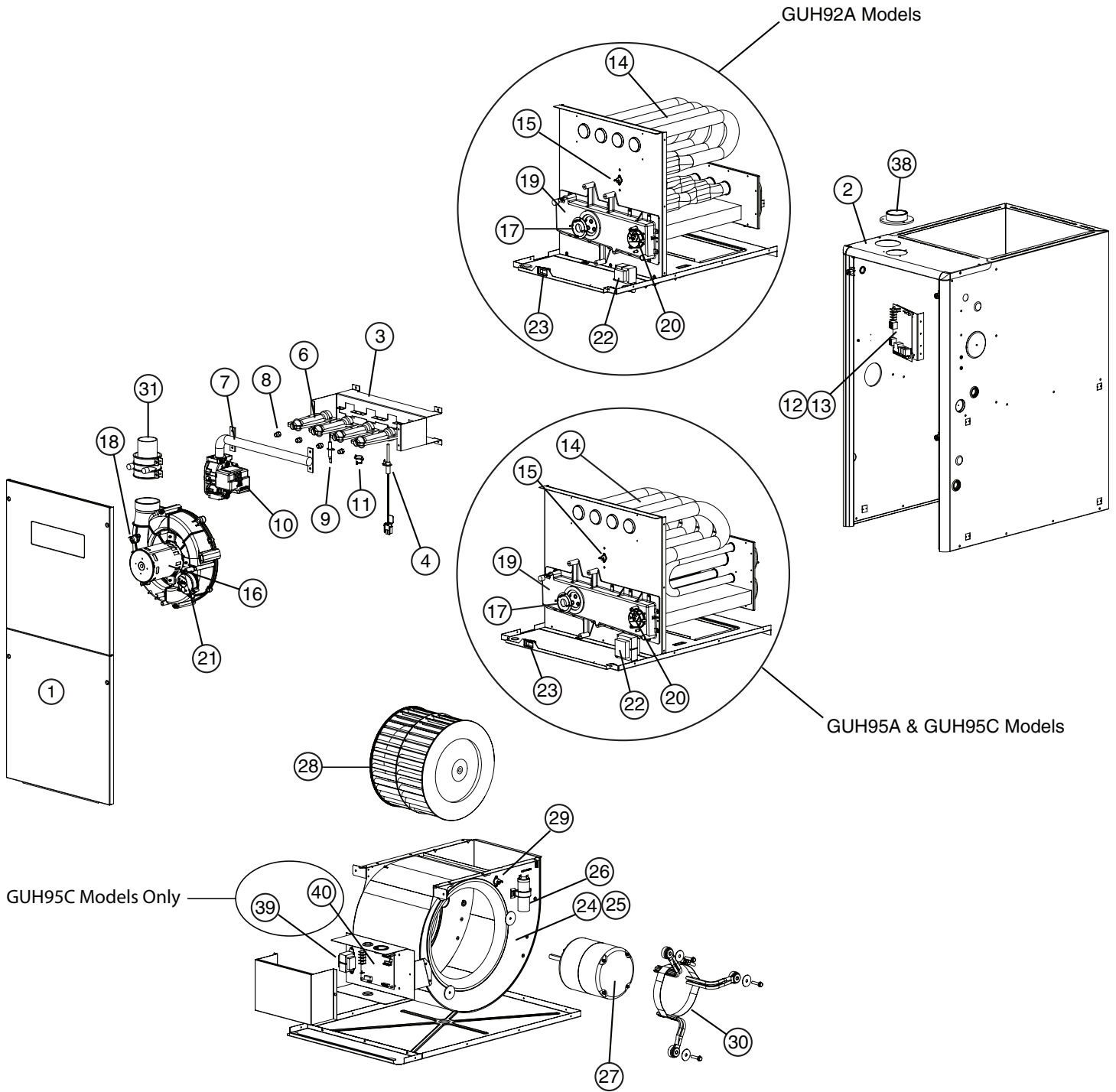
FOR COMPONENT LOCATIONS, SEE PAGE 10.

GDD95A DOWNFLOW CONDENSING GAS FURNACE - 95.0% AFUE

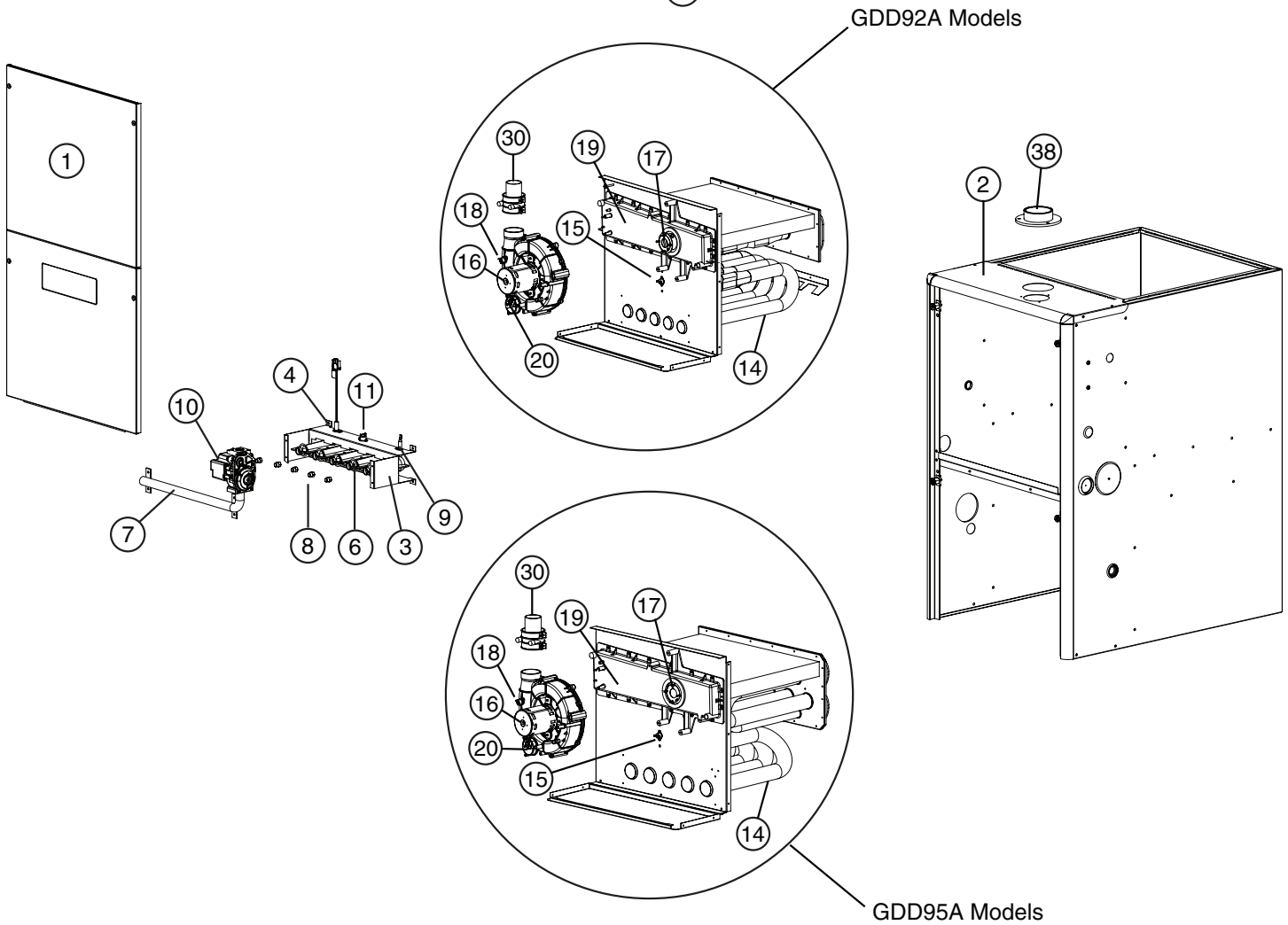
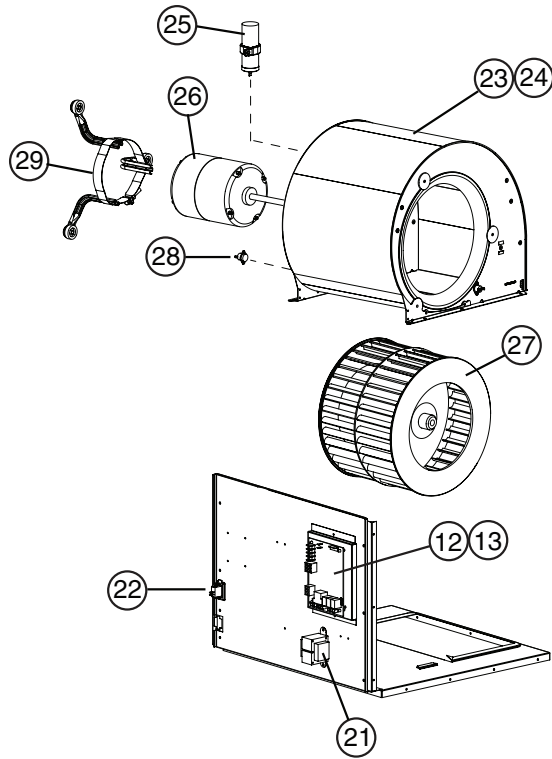
ITEM	DESCRIPTION	054B4XE	072C5XE	090C5XE	118D5XE
1	DOOR SET	904768Y	904769Y	904769Y	904770Y
2	TOP PANEL	2B3562R	2B3563R	2B3563R	—
3	BURNER ASSEMBLY	905026	905022	905023	905027
4	IGNITOR ASSEMBLY - NITRIDE	1017743S	1017743S	1017743S	1017743S
5	IGNITER BRACKET (NOT SHOWN)	299261R	299261R	299261R	299261R
6	INSHOT BURNER	661128	661128	661128	661128
7	MANIFOLD, BURNER TUBE	664611	664243	664244	664245
8	ORIFICE, MAIN BURNER, NATURAL GAS	661047R	661047R	661047R	661046R
9	FLAME SENSOR	632484R	632484R	632484R	632484R
10	GAS VALVE	624775	624775	624775	624775
11	ROLL-OUT SWITCH	626610	626610	626610	626610
12	CONTROL BOARD	920915	920915	920915	920915
13	FUSE	632261	632261	632261	632261
14	HEAT EXCHANGER	904869	904788	904871	904791
15	MAIN AIR LIMIT	626601	626617	626613	626613
16	INDUCER MOTOR	904798	904798	904798	904798
17	INDUCER ORIFICE	669718R	669719R	669734R	669717R
18	INDUCER LIMIT	626599	626599	626599	626599
19	OUTLET HEADER BOX	904802	904803	904803	904804
20	PRESSURE SWITCH (INDUCER)	632487R	632487R	632487R	632571
21	TRANSFORMER	622341	622341	622341	622341
22	DOOR SWITCH	632125R	632125R	632125R	632125R
23	BLOWER ASSEMBLY	904682	904684	904684	904684
24	BLOWER HOUSING ASSEMBLY	297207R	297209R	297209R	297209R
25	CAPACITOR	01-0024	01-0026	01-0026	01-0026
26	MOTOR, BLOWER	904858	904860	904860	904860
27	WHEEL, BLOWER	667258R	667280R	667280R	667280R
28	BLOWER LIMIT/BLOWER DECK LIMIT	626611	626611	626611	626611
29	REPL. MOTOR MOUNT KIT	904951	904951	904951	904951
30	IN-LINE DRAIN ASSEMBLY	664435R	664435R	664435R	664435R
31	DRAIN TUBE, SOFT, 23" (NOT SHOWN)	664434	664434	664434	664434
32	DRAIN TUBE, HARD "J" (NOT SHOWN)	663706R	663706R	663706R	663706R
33	DRAIN TUBE, SOFT, "J" 30" (NOT SHOWN)	663707	663707	663707	663707
35	HOSE, HIGH TEMPERATURE (NOT SHOWN)	263967R	263967R	263967R	263967R
36	SET OF WIRES (NOT SHOWN)	M0036004R	M0036029RR	M0036029RR	M0036029RR
38	FINISH FLANGE, INLET AIR	664633	664633	664633	664633

Please specify the correct Model No., Serial No, and part number(s) when ordering parts from the nearest authorized dealer or service center.
FOR COMPONENT LOCATIONS, SEE PAGE 11.

GUH92A & GUH95A UPFLOW / HORIZONTAL COMPONENT LOCATION



GDD92A & GDD95A DOWNFLOW COMPONENT LOCATION



HEAT CONTROLLER

1900 Wellworth Ave., Jackson MI 49203 • Ph. 517-787-2100 • www.heatcontroller.com

A  Company

Specifications & illustrations subject to change
without notice or incurring obligations (10/22).



709507C
(Replaces 709507B)