

QUICK REFERENCE DATA

*T5BD SERIES - RESIDENTIAL SPLIT SYSTEM HEAT PUMP

MODEL NUMBER: *T5BD		018K	024KA	030KA	036K	042K	048K	060K	
ELECTRICAL DATA	Volts-Cycles-Phase (1)	208 / 230 - 60 - 1							
	Total Amps	9.9	11.8	14.6	15.7	17.5	19.7	26.4	
	Delay Fuse Max. (2)	20	25	30	30	35	10	50	
	Min. Circuit Ampacity	12.1	14.5	18.0	19.4	21.6	24.3	32.6	
CONDENSER DATA	Coil	Area	15.17	15.17	22.88	25.42	22.88	25.42	25.42
		Rows-FPI	1-18	1-18	1-20	1-20	2-16	2-16	2-16
		Tube Dia	3/8" O.D.						
	Fan Motor	Type	PSC						
		Amps	0.91	0.91	1.00	1.00	1.00	1.4	1.4
		HP	1/8	1/8	1/4	1/4	1/4	1/4	1/4
	Compressor Data	RLA	8.3	10.8	13.4	15.3	19.2	19.8	25.3
LRA		40.3	56	68	87	112	105	146	
REFRIGERANT SUCTION LINE O.D		0-24 ft.	3/4"	3/4"	3/4"	3/4"	7/8"	7/8"	
NOTE: Liquid line is 3/8" O.D. for entire length.		25-39 ft.	3/4"	3/4"	3/4"	7/8" (3)	7/8"	1-1/8" (4)	
		40-75 ft.	3/4"	3/4"	7/8" (3)	7/8" (3)	7/8"	1-1/8" (4)	
WEIGHT APPROXIMATE (LBS.)		Net	166	171	190	204	252	285	
		Ship	175	180	200	215	265	300	

- (1) Operating Voltage Range: 198v min. — 253v max.
- (2) HACR Type Circuit Breakers may be used.
- (3) Requires 7/8" to 3/4" reducer from line to unit.
- (4) Requires 7/8" to 1-1/8" adapter from line to unit.
- (5) Additional charge for line sets above 15 feet. Values based on suction line as follows with 3/8" liquid line.
 - (a) 3/4" = 0.6 oz. per additional foot.
 - (b) 7/8" = 0.7 oz. per additional foot.
 - (c) 1 1/8" = 0.8 oz. per additional foot.

Table 1. Electrical Specifications & Physical Data

THERMOSTAT WIRE GAUGE	MAXIMUM RECOMMENDED THERMOSTAT WIRE LENGTH (FT)
24	25
22	45
20	70
18	110

Table 2. Thermostat Wire Gauge

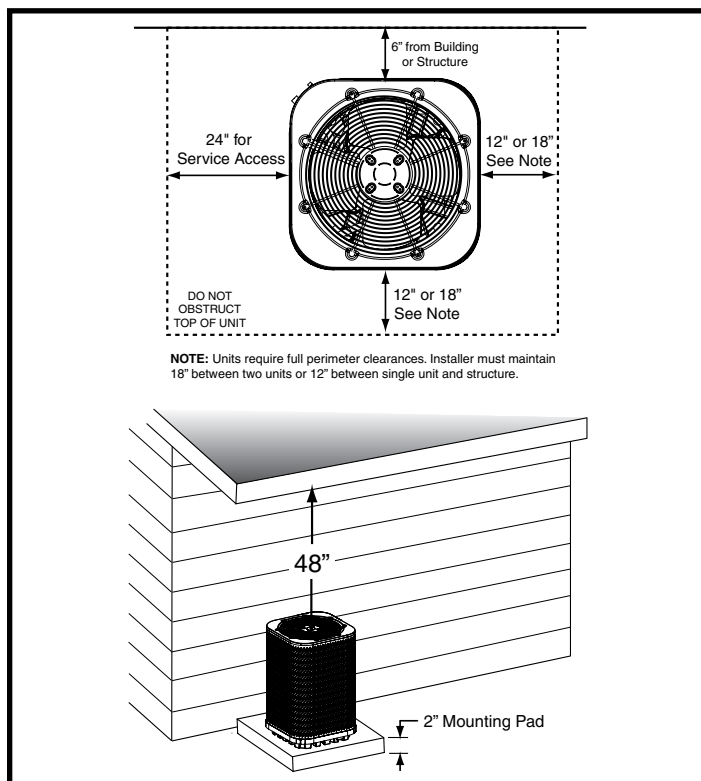


Figure 1. Clearance Requirements

MODEL NUMBER	HEIGHT (H)	WIDTH (W)	DEPTH (D)
*T5BD-018K	27"	30 3/4"	30 3/4"
*T5BD-024KA	27"	30 3/4"	30 3/4"
*T5BD-030KA	39 1/2"	30 3/4"	30 3/4"
*T5BD-036K	39"	30 3/4"	30 3/4"
*T5BD-042K	39"	30 3/4"	30 3/4"
*T5BD-048K	43"	30 3/4"	30 3/4"
*T5BD-060K	43"	30 3/4"	30 3/4"

Table 3. Unit Dimensions

Instructions:

1. Find the column for the model of outdoor unit that is being installed.
2. Find the row for the model of the indoor unit that is being installed.
3. Find the cell in the table in which this row and column meet. In this cell the appropriate orifice / TXV and charge addition for this match are listed. If the text in this cell is BOLD, then a change of orifice is necessary.
4. If a change in restrictor is necessary, then the appropriate restrictor will already be supplied with the outdoor unit.

Examples:

- For the *T5BD-018K with B6BMM024K-B, the appropriate restrictor is the 0.054" and 131 ounces of refrigerant must be added.
- For the *T5BD-042K with B6BMM042K-B, the appropriate restrictor is the 0.083" and 247 ounces of refrigerant must be added.

ID RESTRICTOR INSTALLED WITH ID UNIT	MODEL NUMBER: *T5BD		018K	024KA	030KA	036K	042K	048K	060K
	ID RESTRICTOR SUPPLIED WITH OD UNIT:		0.054	0.061	0.068	0.078	0.083	0.084	0.092
	OD RESTRICTOR SUPPLIED WITH OD UNIT:		0.041	0.047	0.049	0.057	0.059	0.065	0.071
	OUTDOOR UNIT BOM CHARGE (OZ.)		0	0	0	0	0	0	0
	MODELS	SUPPLIED WITH ID	REQUIRED RESTRICTOR OR TXV (CHARGE ADDITION (OZ) / RATED AIRFLOW (SCFM))						
	B6BMM0								
	B6BMM024K-B	0.055	0.054 (131 / 660)	0.061 (123 / 870)	--	--	--	--	--
	B6BMM030K-B	0.062	--	--	0.068 (150 / 895)	--	--	--	--
	B6BMM036K-B	0.067	--	--	--	--	--	--	--
	B6BMM042K-B	0.074	--	--	--	--	0.083 (237 / 1275)	--	--
B6BMM060K-C	0.087	--	--	--	--	--	0.084 (256 / 1605)	--	

NOTES:

- The charges listed are only valid for the standard 15' lineset.
- Units are shipped from the factory with a nitrogen holding charge.

Table 4. B6BMM0 Air Handler Restrictor / Charge Addition (Oz)

MODEL NUMBER *T5BD-	RESTRICTOR BORE SIZE (INCHES)		SYSTEM CHARGE R22 (OZ.)
	INDOOR	OUTDOOR	
018K	0.054	0.041	93
024KA	0.061	0.047	96
030KA	0.068	0.049	144
036K	0.078	0.057	155
042K	0.083	0.059	248
048K	0.084	0.065	248
060K	0.092	0.071	268

Table 5. *T5BD Restrictor Bore Sizes & System Charge For All Other Matches

NOTE: THE T5BD DRY R22 OUTDOOR UNIT IS FOR REPLACEMENT PURPOSES ONLY. USING DRY R22 OUTDOOR UNITS FOR NEW INSTALLATIONS IS PROHIBITED BY U.S. LAW.



Specifications & illustrations subject to change without notice or incurring obligations (01/15).



709601A (Replaces 7096010)