

QUICK REFERENCE DATA

*T4BE SERIES RESIDENTIAL SPLIT SYSTEM HEAT PUMP WITH MICROCHANNEL COILS 14 SEER

MODEL NUMBER: *T4BE		018KA	024KA	030KA	036KA	042KA	048KA	060KA	
ELECTRICAL DATA	Volts-Cycles-Phase (1)	208/230-60-1							
	Total Amps	9.9	14.4	13.7	15.1	19.4	21.3	27.7	
	Delay Fuse Max. (2)	20	30	25	30	40	45	60	
	Min. Circuit Ampacity	12.1	17.7	16.9	18.6	23.9	26.3	34.3	
CONDENSER DATA	Coil	Area	17.5	17.5	22.5	25.0	24.4	24.4	24.4
		Rows-FPI	1 - 14	1 - 14	1 - 14	1 - 14	1 - 14	1 - 14	1 - 16
		Tube Dia	MC						
	Fan Motor	Type	PSC						
		Amps	0.9	0.9	0.9	1.0	1.5	1.5	1.5
		HP	0.13	0.13	0.13	0.20	0.25	0.25	0.25
	Compressor Data	RLA	9.0	13.4	12.8	14.1	17.9	19.8	26.2
LRA		46.0	58.3	64.0	77.0	112.0	109.0	134.0	
Recommended Refrigerant suction line O.D.*		0-24 ft.	3/4"	3/4"	3/4"	7/8"	7/8"	7/8"	7/8"
NOTE: Liquid line is 3/8" O.D. for entire length.		25-39 ft.	3/4"	3/4"	3/4"	7/8"	7/8"	7/8"	1-1/8" (3)
		40-75 ft.	3/4"	3/4"	3/4"	7/8"	7/8"	7/8"	1-1/8" (3)
REFRIGERANT CHARGE: R-410A in ounces for outdoor unit, indoor unit and 15' line set. (4)		87.0	68.0	72.0	87.0	115.0	115.0	114.0	
Approximate Weight (lbs.)	Net	156	163	178	182	202	204	206	
	Ship	165	172	187	191	211	213	215	

- (1) Operating Voltage Range: 187v min. — 253v max.
- (2) HACR Type Circuit Breakers may be used.
- (3) Requires 7/8" to 3/4" reducer from line to unit.
- (4) Requires 7/8" to 1-1/8" reducer from line to unit.
- (5) Additional charge for line sets above 15 feet. Values based on suction line as follows with 3/8" liquid line.
 - (a) 3/4" = 0.6 oz. per additional foot.
 - (b) 7/8" = 0.7 oz. per additional foot.
 - (c) 1 1/8" = 0.8 oz. per additional foot.
- * For other line set dimensions, refer to the Application Guidelines for Refrigerant Lines Addendum.

THERMOSTAT WIRE GAUGE	MAXIMUM RECOMMENDED THERMOSTAT WIRE LENGTH (FT)
24	25
22	45
20	70
18	110

Table 2. Thermostat Wire

Table 1. Electrical Specifications & Physical Data

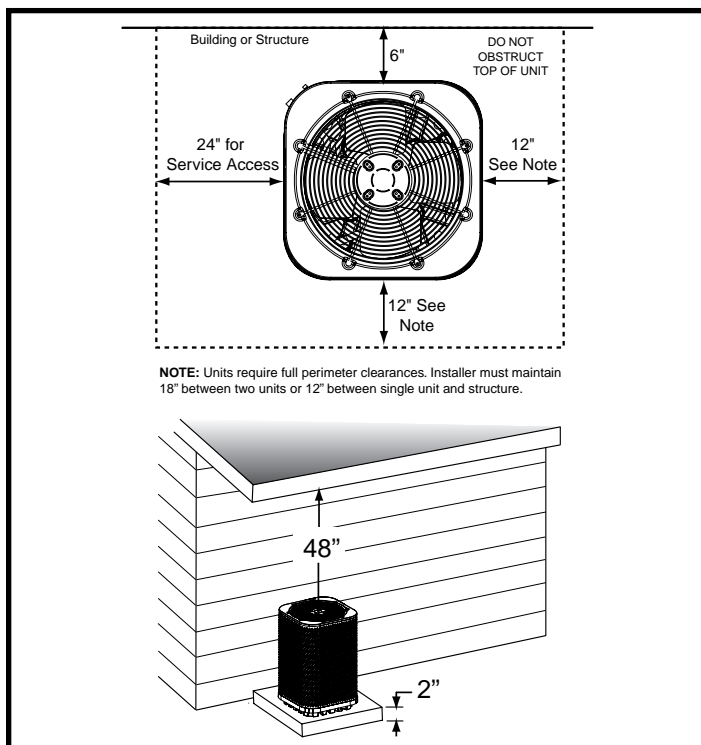


Figure 1. Clearance Requirements

MODEL NUMBER	HEIGHT (H)	WIDTH (W)	DEPTH (D)
*T4BE-018KA	31 1/2"	30 3/4"	30 3/4"
*T4BE-024KA	31 1/2"	30 3/4"	30 3/4"
*T4BE-030KA	39 1/2"	30 3/4"	30 3/4"
*T4BE-036KA	43 1/2"	30 3/4"	30 3/4"
*T4BE-042KA	43 1/2"	30 3/4"	30 3/4"
*T4BE-048KA	43 1/2"	30 3/4"	30 3/4"
*T4BE-060KA	43 1/2"	30 3/4"	30 3/4"

Table 3. Unit Dimensions

Instructions:

1. Find the column for the model of outdoor unit that is being installed.
2. Find the row for the model of the indoor unit that is being installed.
3. Find the cell in the table in which this row and column meet. In this cell the appropriate orifice / TXV and charge addition for this match are listed. If the text in this cell is BOLD, then a change of orifice is necessary.
4. If a change in restrictor is necessary, then the appropriate restrictor will already be supplied with the outdoor unit.

Examples:

- For the *T4BE-030KA / B6BMM030K-A match, the appropriate restrictor is the 0.062" and 8 ounces of refrigerant needs to be added (CHARGE ADDITION).
- For the *T4BE-060KA / B6BMM060K-C match, the indoor restrictor will be changed to the 0.091", the outdoor restrictor must be changed to the 0.074", and 3 ounces of refrigerant (CHANGE IN INDOOR RESTRICTOR, OUTDOOR RESTRICTOR, AND CHARGE ADDITION).

MODEL NUMBER: *T4BE		018KA	024KA	030KA	036KA	042KA	048KA	060KA
ID RESTRICTOR SUPPLIED WITH OD UNIT:		0.050	0.057	0.061	0.066, 0.067	0.075	0.076	0.091
OD RESTRICTOR INSTALLED IN OD UNIT:		0.040	0.041	0.048	0.055	0.059	0.062	0.076
OUTDOOR UNIT BOM CHARGE (OZ.)		87	68	72	87	115	115	114
MODELS	SUPPLIED WITH ID	REQUIRED RESTRICTOR OR TXV (CHARGE ADDITION (OZ) / RATED AIRFLOW (SCFM))						
B6BMM0								
B6BMM024K-A	0.055	0.050 (12 / 650)	0.057 (7 / 825)	--	--	--	--	--
B6BMM024K-B	0.055	0.050 (12 / 650)	0.057 (7 / 825)	--	--	--	--	--
B6BMM030K-A	0.062	--	--	0.062 (8 / 1040)	--	--	--	--
B6BMM030K-B	0.062	--	--	0.062 (8 / 1040)	--	--	--	--
B6BMM042K-B	0.074	--	--	--	0.067 (13 / 1195)	0.075 (5 / 1275)	--	--
B6BMM060K-C	0.087	--	--	--	--	--	0.076 (4 / 1555)	0.091 (3 / 1615)
B6BW								
B6BW-018K(*)	0.056	--	--	--	--	--	--	--
B6BW-024K(*)	0.057	--	0.057 (0 / 915)	--	--	--	--	--
B6BW-030K(*)	0.060	--	--	0.061 (0 / 1010)	--	--	--	--
B6BW-036K(*)	0.069	--	--	--	0.066 (0 / 1145)	--	--	--
B6EM								
B6EMMX24K-A	669564	669564 (2 / 650)	669564 (3 / 810)	--	--	--	--	--
B6EMMX24K-B	669564	669564 (2 / 650)	669564 (3 / 810)	--	--	--	--	--
B6EMMX30K-A	669565	--	--	669565 (8 / 960)	--	--	--	--
B6EMMX30K-B	669565	--	--	669565 (8 / 960)	--	--	--	--
B6EMMX36K-B	669566	--	--	--	669566 (11 / 1140)	--	--	--
B6EMMX42K-B	669567	--	--	--	--	669567 (0 / 1205)	--	--
B6EMMX48K-C	669852	--	--	--	--	669852 (0 / 1195)	669852 (0 / 1510)	--
B6EMMX60K-C	669578	--	--	--	--	--	--	669578 (0 / 1545)

NOTES:

- Gray cells require the outdoor restrictor to be changed as well. See Table 5.
- The charges listed are only valid for the standard 15' lineset.
- Part numbers beginning with 669***are TXV part numbers and numbers listed as 0.*** are restrictor diameters.

Table 4. Restrictor or TXV / Charge Addition (Oz)

Instructions:

1. Find the column for the model of outdoor unit that is being installed.
2. Find the row for the model of the indoor unit that is being installed.
3. Find the cell in the table in which this row and column meet. In this cell the appropriate orifice / TXV and charge addition for this match are listed. If the text in this cell is BOLD, then a change of orifice is necessary.
4. If a change in restrictor is necessary, then the appropriate restrictor will already be supplied with the outdoor unit.

Examples:

- For the *T4BE-030KA / B6BMM030K-A match, the appropriate restrictor is the 0.062" and 8 ounces of refrigerant needs to be added (CHARGE ADDITION).
- For the *T4BE-060KA / B6BMM060K-C match, the indoor restrictor will need to be changed to the 0.091", the outdoor restrictor must be changed to the 0.074", and 3 ounces of refrigerant (CHANGE IN INDOOR RESTRICTOR, OUTDOOR RESTRICTOR, AND CHARGE ADDITION).

MODEL NUMBER: *T4BE		018KA	024KA	030KA	036KA	042KA	048KA	060KA
ID RESTRICTOR SUPPLIED WITH OD UNIT:		0.050	0.057	0.061	0.066, 0.067	0.075	0.076	0.091
OD RESTRICTOR INSTALLED IN OD UNIT:		0.040	0.041	0.048	0.055	0.059	0.062	0.076
OUTDOOR UNIT BOM CHARGE (OZ.)		87	68	72	87	115	115	114
MODELS	SUPPLIED WITH ID	REQUIRED RESTRICTOR OR TXV (CHARGE ADDITION (OZ) / RATED AIRFLOW (SCFM))						
B6EW								
B6EW-X18K	669564	669564 (0 / 650)	--	--	--	--	--	--
B6EW-X25K	669564	--	669564 (1 / 920)	--	--	--	--	--
B6EW-X30K	669565	--	--	669565 (5 / 1000)	--	--	--	--
B6EW-X36K	669566	--	--	--	669566 (0 / 1100)	--	--	--
B6VMMX								
B6VMMX24K-A	669564	669564 (2 / 650)	669564 (3 / 810)	--	--	--	--	--
B6VMMX24K-B	669564	669564 (2 / 650)	669564 (3 / 810)	--	--	--	--	--
B6VMMX30K-A	669565	--	--	669682 (8 / 960)	--	--	--	--
B6VMMX30K-B	669565	--	--	669682 (8 / 960)	--	--	--	--
B6VMMX36K-B	669566	--	--	--	669566 (11 / 1140)	--	--	--
B6VMMX42K-B	669567	--	--	--	--	669567 (0 / 1205)	--	--
B6VMMX48K-C	669568	--	--	--	--	--	669568 (0 / 1510)	--
B6VMMX60K-C	669578	--	--	--	--	--	--	669578 (0 / 1545)

NOTES:

- Gray cells require the outdoor restrictor to be changed as well. See Table 5.
- The charges listed are only valid for the standard 15' lineset.
- Part numbers beginning with 669***are TXV part numbers and numbers listed as 0.*** are restrictor diameters.

Table 4. Restrictor or TXV / Charge Addition (Oz) - Continued

C7-0									
C7B(A,H)M01824(C,U)-A	0.048	920668A (12 / 650)	920669A (25 / 810)	--	--	--	--	--	--
C7B(A,H)M01824(C,U)-B	0.055	920668A (12 / 650)	920669A (25 / 810)	--	--	--	--	--	--
C7B(A,H)M030(C,U)-C	0.061	--	920669A (25 / 810)	920670A (25 / 960)	--	--	--	--	--
C7B(A,H)M03036(C,U)-A	0.061	--	--	920670A (25 / 960)	--	--	--	--	--
C7B(A,H)M03036(C,U)-B	0.067	--	--	920670A (25 / 960)	--	--	--	--	--
C7B(A,H)M03642(C,U)-B	0.071	--	--	--	920670A (22 / 1140)	920671A (13 / 1275)	--	--	--
C7B(A,H)M03648(C,U)-C	0.067	--	--	--	920670A (22 / 1140)	920671A (13 / 1275)	--	--	--
C7B(A,H)M042(C,U)-D	0.071	--	--	--	--	920671A (13 / 1275)	--	--	--
C7B(A,H)M048(C,U)-C	0.077	--	--	--	--	--	920672A (0 / 1510)	--	--
C7B(A,H)M048(C,U)-D	0.087	--	--	--	--	--	920672A (0 / 1510)	--	--
C7B(A,H)M060(C,U)-C	0.083	--	--	--	--	--	--	920673A (0 / 1545)	--
C7B(A,H)M060(C,U)-D	0.083	--	--	--	--	--	--	920673A (0 / 1545)	--

NOTES:

- Gray cells require the outdoor restrictor to be changed as well. See Table 5.
- The charges listed are only valid for the standard 15' lineset.
- Part numbers beginning with 669***are TXV part numbers and numbers listed as 0.*** are restrictor diameters.

Table 4. Restrictor or TXV / Charge Addition (Oz) - Continued

OD UNIT	ID UNIT	FACTORY INSTALLED RESTRICTOR	CORRECT OUTDOOR RESTRICTOR
T4BE-018KA	B6BMM024K-A	0.040	0.039
	B6BMM024K-B		0.039
	B6EW-X18K		0.044
	C7B(A,H)M01824(C,U)-A + TXV		0.039
	C7B(A,H)M01824(C,U)-B + TXV		0.039
T4BE-024KA	B6BW-024K(*)	0.041	0.047
	B6EW-X25K		0.049
	C7B(A,H)M01824(C,U)-A + TXV		0.042
	C7B(A,H)M01824(C,U)-B + TXV		0.042
	C7B(A,H)M030(C,U)-C + TXV		0.042
T4BE-030KA	B6BW-030K(*)	0.048	0.051
	B6EW-X30K		0.053
	C7B(A,H)M030(C,U)-C + TXV		0.051
	C7B(A,H)M03036(C,U)-A + TXV		0.051
	C7B(A,H)M03036(C,U)-B + TXV		0.051
T4BE-036KA	B6BMM042K-B	0.055	0.056
	B6BW-036K(*)		0.059
	B6EW-X36K		0.059
T4BE-048KA	B6BMM060K-C	0.062	0.059
T4BE-060KA	B6BMM060K-C	0.076	0.074

Table 5. Outdoor Restrictor Changes

NORDYNE
COMPLETE COMFORT. GENUINE VALUE.

Specifications & illustrations subject to change without notice or incurring obligations (12/13).



709638A (Replaces 7096380)