

QUICK REFERENCE DATA

FS4BD Series Residential Split System Air Conditioner

MODEL NUMBER: FS4BD-		018KB	024KB	030KB	036KB	042KB	048KB	060KB	
Electrical Data	Volts-Cycles Phase (1)		208/230-60-1						
	Total Amps		9.3	13.5	14.8	18.0	19.4	23.2	27.8
	Delay Fuse Max. (2)		20	25	30	35	40	50	60
	Min. Circuit Ampacity		11.6	16.7	18.3	22.2	23.9	28.7	34.4
Component Data	Coil	Area	8.3	8.3	10.0	10.0	15.3	15.3	17.9
		Rows-FPI	1-18						
		Tube Dia.	Micro-Channel						
	Fan Motor	Type	PSC						
		Amps	0.4	0.7	0.7	1.4	1.5	1.5	1.5
		HP	0.05	0.1	0.1	0.25	0.25	0.25	0.25
	Compressor Data	RLA	9.0	12.8	14.1	16.6	17.9	21.8	26.4
LRA		48.0	58.3	73.0	79.0	112.0	117.0	134.0	
REFRIGERANT SUCTION LINE O.D.		0 - 24 ft.	3/4"	3/4"	3/4"	3/4"	7/8"	7/8"	7/8"
NOTE: Liquid line is 3/8" O.D. for entire length.		25 - 39 ft.	3/4"	3/4"	3/4"	7/8" (3)	7/8"	7/8"	1-1/8" (4)
		40 - 75 ft.	3/4"	3/4"	3/4"	7/8" (3)	7/8"	7/8"	1-1/8" (4)
REFRIGERANT CHARGE		R-410A in ounces for outdoor unit & 15' Lineset. (5)							
		40.4	41.0	40.0	41.0	59.0	60.0	69.6	
APPROXIMATE WEIGHT (LBS.)	Net	109	125	138	140	179	179	188	
	Ship	114	130	144	146	187	187	197	

- (1) Operating Voltage Range: 187v min. — 253v max.
- (2) HACR Type Circuit Breakers may be used.
- (3) Requires 7/8" to 3/4" reducer from line to unit.
- (4) Requires 7/8" to 1-1/8" reducer from line to unit.
- (5) Additional charge for line sets above 15 feet. Values based on suction line as follows with 3/8" liquid line.
 - (a) 3/4" = 0.6 oz. per additional foot.
 - (b) 7/8" = 0.7 oz. per additional foot.
 - (c) 1 1/8" = 0.8 oz. per additional foot.

Table 1. Electrical Specifications & Physical Data

Thermostat Wire Gauge	Recommended T-Stat Wire Unit to T-Stat (Length in FT)	
	2-Wire (Heating)	5-Wire (Heating/Cooling)
24	55	25
22	90	45
20	140	70
18	225	110

Table 2. Thermostat Wire Gauge

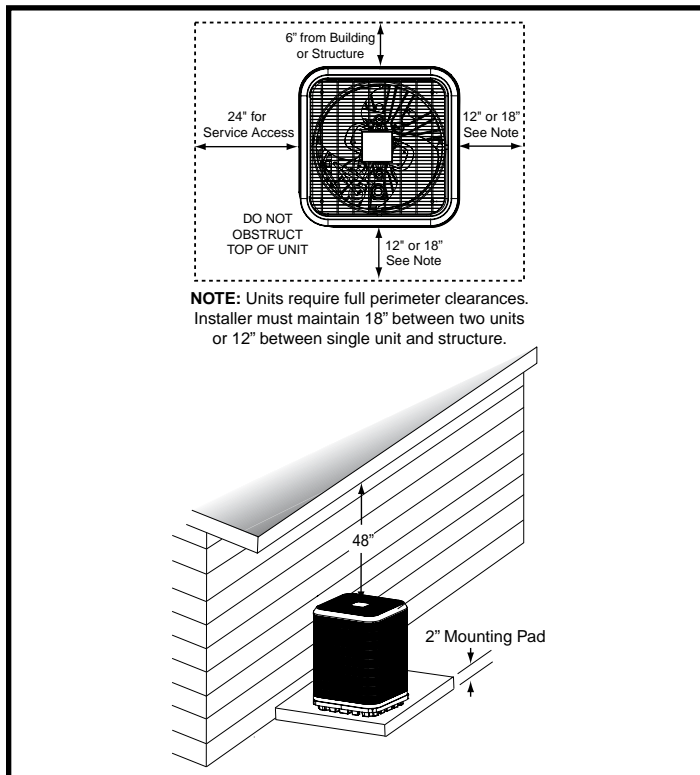
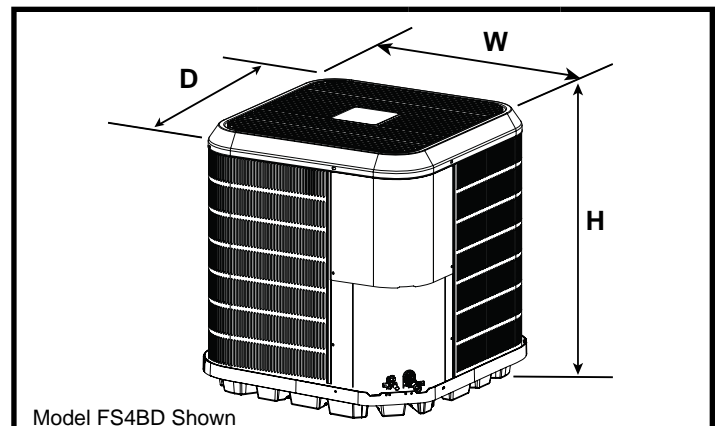


Figure 1. Clearance Requirements



Model FS4BD Shown

MODEL NUMBER	HEIGHT (H)	WIDTH (W)	DEPTH (D)
FS4BD-018KB	25"	22 3/4"	22 3/4"
FS4BD-024KB	25"	22 3/4"	22 3/4"
FS4BD-030KB	29"	22 3/4"	22 3/4"
FS4BD-036KB	29"	22 3/4"	22 3/4"
FS4BD-042KB	29 1/2"	30 3/4"	30 3/4"
FS4BD-048KB	29 1/2"	30 3/4"	30 3/4"
FS4BD-060KB	33 1/2"	30 3/4"	30 3/4"

Table 3. Unit Dimensions

Instructions:

1. Find the column for the model of outdoor unit that is being installed.
2. Find the row for the model of the indoor unit that is being installed.
3. Find the cell in the table in which this row and column meet. In this cell the appropriate orifice / TXV and charge addition for this match are listed. If the text in this cell is **BOLD**, then a change of orifice is necessary.
4. If a change in restrictor is necessary, then the appropriate restrictor will already be supplied with the outdoor unit.

Examples:

- For the FS4BD-030KB / B4VM-X30K-B match, the appropriate TXV is the 669565 and 36 ounces of charge will need to be added. (CHANGE IN CHARGE)
- For the FS4BD-024KB / B6EMMX24K-B match, the appropriate TXV is the 669564 and no additional charge needs to be added. (NO CHANGES ARE NECESSARY)

MODEL NUMBER: FS4BD-		018KB	024KB	030KB	036KB	042KB	048KB	060KB
ID Restrictor Supplied With OD Unit:		0.048	0.056	0.060, 0.061	0.065, 0.067	0.071, 0.072	0.076, 0.077	
Outdoor Unit BOM Charge (Oz.)		40.4	41	40	41	59	60	69.6
MODELS	SUPPLIED WITH ID	REQUIRED RESTRICTOR OR TXV (CHARGE ADDITION (OZ) / RATED AIRFLOW (SCFM))						
B4VM								
B4VM-X24K-A	669564	669564 (30 / 550)	669564 (29 / 700)	--	--	--	--	--
B4VM-X24K-B	669564	669564 (30 / 550)	669564 (29 / 700)	--	--	--	--	--
B4VM-X30K-A	669565	--	--	669565 (36 / 950)	--	--	--	--
B4VM-X30K-B	669565	--	--	669565 (36 / 950)	--	--	--	--
B4VM-X36K-B	669566	--	--	--	669566 (31 / 950)	--	--	--
B4VM-X48K-B	669568	--	--	--	--	669568 (34 / 1250)	--	--
B4VM-X48K-C	669568	--	--	--	--	669568 (34 / 1250)	669568 (36 / 1400)	--
B4VM-X60K-C	669578	--	--	--	--	--	--	669578 (36 / 1600)
GB5BM-0								
GB5BM-024K-A	0.055	0.048 (30 / 675)	0.055 (29 / 700)	--	--	--	--	--
GB5BM-024K-B	0.055	0.048 (30 / 675)	0.055 (29 / 700)	--	--	--	--	--
GB5BM-030K-A	0.065	--	--	0.065 (36 / 950)	--	--	--	--
GB5BM-030K-B	0.065	--	--	0.065 (36 / 950)	--	--	--	--
GB5BM-036K-B	0.073	--	--	--	0.073 (31 / 950)	--	--	--
GB5BM-042K-B	0.077	--	--	--	--	0.077 (34 / 1250)	--	--
GB5BM-048K-C	0.080	--	--	--	--	--	0.080 (36 / 1400)	--
GB5BM-060K-C	0.089	--	--	--	--	--	--	0.089 (36 / 1600)

NOTES:

- The charges listed are only valid for the standard 15' lineset.
- Numbers listed as 0.*** are restrictor diameters, while numbers listed as 669*** are TXV part numbers.

Table 4. Restrictor or TXV / Charge Addition (Oz)

Instructions:

1. Find the column for the model of outdoor unit that is being installed.
2. Find the row for the model of the indoor unit that is being installed.
3. Find the cell in the table in which this row and column meet. In this cell the appropriate orifice / TXV and charge addition for this match are listed. If the text in this cell is BOLD, then a change of orifice is necessary.
4. If a change in restrictor is necessary, then the appropriate restrictor will already be supplied with the outdoor unit.

Examples:

- For the FS4BD-030KB / B4VM-X30K-B match, the appropriate TXV is the 669565 and 36 ounces of charge will need to be added. (CHANGE IN CHARGE)
- For the FS4BD-024KB / B6EMMX24K-B match, the appropriate TXV is the 669564 and no additional charge needs to be added. (NO CHANGES ARE NECESSARY)

MODEL NUMBER: FS4BD-		018KB	024KB	030KB	036KB	042KB	048KB	060KB
ID Restrictor Supplied With OD Unit:		0.048	0.056	0.060, 0.061	0.065, 0.067	0.071, 0.072	0.076, 0.077	
Outdoor Unit BOM Charge (Oz.)		40.4	41	40	41	59	60	69.6
MODELS	SUPPLIED WITH ID	REQUIRED RESTRICTOR OR TXV (CHARGE ADDITION (OZ) / RATED AIRFLOW (SCFM))						
GB5BMM								
GB5BMM024K-A	0.055	0.048 (0 / 555)	0.055 (3 / 700)	--	--	--	--	--
GB5BMM024K-B	0.055	0.048 (0 / 550)	0.055 (3 / 720)	--	--	--	--	--
GB5BMM030K-A	0.062	--	--	0.060 (8 / 920)	--	--	--	--
GB5BMM030K-B	0.062	--	--	0.060 (8 / 890)	--	--	--	--
GB5BMM036K-B	0.067	--	--	--	0.065 (15 / 1160)	--	--	--
GB5BMM042K-B	0.074	--	--	--	--	0.072 (0 / 1370)	--	--
GB5BMM048K-B	0.079	--	--	--	--	--	0.079 (2 / 1355)	--
GB5BMM048K-C	0.079	--	--	--	--	--	0.079 (2 / 1630)	--
GB5BMM060K-C	0.087	--	--	--	--	--	--	0.087 (0 / 1950)
B5BM-X								
B5B(M,V)-X24K-A	669564	669564 (30 / 675)	669564 (29 / 700)	--	--	--	--	--
B5B(M,V)-X24K-B	669564	669564 (30 / 675)	669564 (29 / 700)	--	--	--	--	--
B5B(M,V)-X30K-A	669565	--	--	669565 (36 / 950)	--	--	--	--
B5B(M,V)-X30K-B	669565	--	--	669565 (36 / 950)	--	--	--	--
B5B(M,V)-X36K-B	669566	--	--	--	669566 (31 / 950)	--	--	--
B5B(M,V)-X42K-B	669567	--	--	--	--	669567 (34 / 1250)	--	--
B5B(M,V)-X48K-B	669568	--	--	--	--	--	669568 (36 / 1400)	--
B5B(M,V)-X48K-C	669568	--	--	--	--	--	669568 (36 / 1400)	--
B5B(M,V)-X60K-C	669578	--	--	--	--	--	--	669578 (36 / 1600)
B5BW								
GB5BW-030K(*)	0.063†	0.050 (30 / 660)	0.057 (29 / 675)	0.063 (36 / 760)	--	--	--	--

NOTES:

- The charges listed are only valid for the standard 15' lineset.
- Numbers listed as 0.*** are restrictor diameters, while numbers listed as 669*** are TXV part numbers.
- † The GB5BW-030K unit is supplied with extra 0.050, 0.057, and 0.065 restrictors.

Table 4. Restrictor or TXV / Charge Addition (Oz) - Continued

Instructions:

1. Find the column for the model of outdoor unit that is being installed.
2. Find the row for the model of the indoor unit that is being installed.
3. Find the cell in the table in which this row and column meet. In this cell the appropriate orifice / TXV and charge addition for this match are listed. If the text in this cell is BOLD, then a change of orifice is necessary.
4. If a change in restrictor is necessary, then the appropriate restrictor will already be supplied with the outdoor unit.

Examples:

- For the FS4BD-030KB / B4VM-X30K-B match, the appropriate TXV is the 669565 and 36 ounces of charge will need to be added. (CHANGE IN CHARGE)
- For the FS4BD-024KB / B6EMMX24K-B match, the appropriate TXV is the 669564 and no additional charge needs to be added. (NO CHANGES ARE NECESSARY)

MODEL NUMBER: FS4BD-		018KB	024KB	030KB	036KB	042KB	048KB	060KB
ID Restrictor Supplied With OD Unit:		0.048	0.056	0.060, 0.061	0.065, 0.067	0.071, 0.072	0.076, 0.077	
Outdoor Unit BOM Charge (Oz.)		40.4	41	40	41	59	60	69.6
MODELS	SUPPLIED WITH ID	REQUIRED RESTRICTOR OR TXV (CHARGE ADDITION (OZ) / RATED AIRFLOW (SCFM))						
B6BMM0								
B6BMM024K-A	0.055	0.048 (0 / 555)	0.055 (3 / 700)	--	--	--	--	--
B6BMM024K-B	0.055	0.048 (0 / 550)	0.055 (3 / 720)	--	--	--	--	--
B6BMM030K-A	0.062	--	--	0.060 (8 / 920)	--	--	--	--
B6BMM030K-B	0.062	--	--	0.060 (8 / 890)	--	--	--	--
B6BMM036K-B	0.067	--	--	--	0.065 (15 / 1160)	--	--	--
B6BMM042K-B	0.074	--	--	--	--	0.072 (0 / 1370)	--	--
B6BMM048K-B	0.079	--	--	--	--	--	0.079 (2 / 1355)	--
B6BMM048K-C	0.079	--	--	--	--	--	0.079 (2 / 1630)	--
B6BMM060K-C	0.087	--	--	--	--	--	--	0.087 (0 / 1950)
B6BM-X								
B6BM-X24K-A	669564	669564 (30 / 675)	669564 (29 / 825)	--	--	--	--	--
B6BM-X24K-B	669564	669564 (30 / 650)	669564 (28 / 800)	--	--	--	--	--
B6BM-X30K-A	669565	--	--	669565 (36 / 950)	--	--	--	--
B6BM-X30K-B	669565	--	669565 (29 / 700)	669565 (36 / 950)	--	--	--	--
B6BM-X36K-B	669566	--	--	--	669566 (40 / 1145)	--	--	--
B6BM-X42K-B	669567	--	--	--	--	669564 (34 / 1250)	--	--
B6BM-X48K-C	669568	--	--	--	--	--	669568 (34 / 1585)	--
B6BM-X60K-C	669578	--	--	--	--	--	--	669578 (36 / 1600)
B6BW								
B6BW-018K(*)	0.056	0.048 (0 / 600)	--	--	--	--	--	--
B6BW-024K(*)	0.057	--	0.057 (3 / 800)	--	--	--	--	--
B6BW-030K(*)	0.060	--	--	0.060 (8 / 950)	--	--	--	--
B6BW-036K(*)	0.069	--	--	--	0.067 (0 / 1100)	--	--	--

NOTES:

- The charges listed are only valid for the standard 15' lineset.
- Numbers listed as 0.*** are restrictor diameters, while numbers listed as 669*** are TXV part numbers.

Table 4. Restrictor or TXV / Charge Addition (Oz) - Continued

Instructions:

1. Find the column for the model of outdoor unit that is being installed.
2. Find the row for the model of the indoor unit that is being installed.
3. Find the cell in the table in which this row and column meet. In this cell the appropriate orifice / TXV and charge addition for this match are listed. If the text in this cell is BOLD, then a change of orifice is necessary.
4. If a change in restrictor is necessary, then the appropriate restrictor will already be supplied with the outdoor unit.

Examples:

- For the FS4BD-030KB / B4VM-X30K-B match, the appropriate TXV is the 669565 and 36 ounces of charge will need to be added. (CHANGE IN CHARGE)
- For the FS4BD-024KB / B6EMMX24K-B match, the appropriate TXV is the 669564 and no additional charge needs to be added. (NO CHANGES ARE NECESSARY)

MODEL NUMBER: FS4BD-		018KB	024KB	030KB	036KB	042KB	048KB	060KB
ID Restrictor Supplied With OD Unit:		0.048	0.056	0.060, 0.061	0.065, 0.067	0.071, 0.072	0.076, 0.077	
Outdoor Unit BOM Charge (Oz.)		40.4	41	40	41	59	60	69.6
MODELS	SUPPLIED WITH ID	REQUIRED RESTRICTOR OR TXV (CHARGE ADDITION (OZ) / RATED AIRFLOW (SCFM))						
B6EM								
B6EMMX24K-A	669564	669564 (0 / 670)	669564 (0 / 740)	--	--	--	--	--
B6EMMX24K-B	669564	669564 (0 / 530)	669564 (0 / 690)	--	--	--	--	--
B6EMMX30K-A	669565	--	--	669565 (2 / 960)	--	--	--	--
B6EMMX30K-B	669565	--	--	669565 (2 / 910)	--	--	--	--
B6EMMX36K-B	669566	--	--	--	669566 (6 / 1155)	--	--	--
B6EMMX42K-B	669567	--	--	--	--	669567 (4 / 1265)	--	--
B6EMMX48K-C	669852	--	--	--	--	669852 (5 / 1465)	669852 (3 / 1430)	--
B6EMMX60K-C	669578	--	--	--	--	--	--	669578 (0 / 1605)
B6VM								
B6VMAX24K-A	669564	669564 (30 / 550)	669564 (29 / 700)	--	--	--	--	--
B6VMAX24K-B	669564	669564 (30 / 525)	669564 (29 / 700)	--	--	--	--	--
B6VMAX30K-A	669565	--	--	669565 (36 / 950)	--	--	--	--
B6VMAX30K-B	669565	--	669565 (29 / 700)	669565 (36 / 950)	--	--	--	--
B6VMAX36K-B	669566	--	--	--	669566 (31 / 1100)	--	--	--
B6VMAX42K-B	669567	--	--	--	--	669567 (34 / 1250)	--	--
B6VMAX48K-C	669568	--	--	--	--	669568 (34 / 1250)	669568 (36 / 1400)	--
B6VMAX60K-C	669578	--	--	--	--	--	--	669578 (36 / 1600)
B6VMMX								
B6VMMX24K-A	669564	669564 (0 / 670)	669564 (0 / 740)	--	--	--	--	--
B6VMMX24K-B	669564	669564 (0 / 530)	669564 (0 / 690)	--	--	--	--	--
B6VMMX30K-A	669565	--	--	669565 (2 / 960)	--	--	--	--
B6VMMX30K-B	669565	--	--	669565 (2 / 910)	--	--	--	--
B6VMMX36K-B	669566	--	--	--	669566 (6 / 1155)	--	--	--
B6VMMX42K-B	669567	--	--	--	--	669567 (4 / 1265)	--	--
B6VMMX48K-C	669568	--	--	--	--	669852 (5 / 1465)	669852 (3 / 1430)	--
B6VMMX60K-C	669578	--	--	--	--	--	--	669578 (0 / 1605)

NOTES:

- The charges listed are only valid for the standard 15' lineset.
- Numbers listed as 0.*** are restrictor diameters, while numbers listed as 669*** are TXV part numbers.

Table 4. Restrictor or TXV / Charge Addition (Oz) - Continued

Instructions:

1. Find the column for the model of outdoor unit that is being installed.
2. Find the row for the model of the indoor unit that is being installed.
3. Find the cell in the table in which this row and column meet. In this cell the appropriate orifice / TXV and charge addition for this match are listed. If the text in this cell is BOLD, then a change of orifice is necessary.
4. If a change in restrictor is necessary, then the appropriate restrictor will already be supplied with the outdoor unit.

Examples:

- For the FS4BD-030KB / B4VM-X30K-B match, the appropriate TXV is the 669565 and 36 ounces of charge will need to be added. (CHANGE IN CHARGE)
- For the FS4BD-024KB / B6EMMX24K-B match, the appropriate TXV is the 669564 and no additional charge needs to be added. (NO CHANGES ARE NECESSARY)

MODEL NUMBER: FS4BD-		018KB	024KB	030KB	036KB	042KB	048KB	060KB
ID Restrictor Supplied With OD Unit:		0.048	0.056	0.060, 0.061	0.065, 0.067	0.071, 0.072	0.076, 0.077	
Outdoor Unit BOM Charge (Oz.)		40.4	41	40	41	59	60	69.6
MODELS	SUPPLIED WITH ID	REQUIRED RESTRICTOR OR TXV (CHARGE ADDITION (OZ) / RATED AIRFLOW (SCFM))						
C6								
C6B(A,H)-X24(C,U)-A	669564	669564 (30 / 530)	669564 (29 / 700)	--	--	--	--	--
C6B(A,H)-X24(C,U)-B	669681	669681 (30 / 600)	669681 (29 / 700)	--	--	--	--	--
C6B(A,H)-X30(C,U)-A	669565	--	--	669565 (36 / 950)	--	--	--	--
C6B(A,H)-X30(C,U)-B	669682	--	--	669682 (36 / 950)	--	--	--	--
C6B(A,H)-X30(C,U)-C	669682	--	--	669682 (36 / 1000)	--	--	--	--
C6B(A,H)-X35(C,U)-A	669566	--	--	--	669566 (31 / 950)	--	--	--
C6B(A,H)-X35(C,U)-B	669683	--	--	--	669683 (31 / 950)	--	--	--
C6B(A,H)-X36(C,U)-B	669683	--	--	--	669683 (31 / 1100)	--	--	--
C6B(A,H)-X36(C,U)-C	669683	--	--	--	669683 (31 / 1100)	--	--	--
C6B(A,H)-X42(C,U)-B	669684	--	--	--	--	669684 (34 / 1250)	--	--
C6B(A,H)-X42(C,U)-C	669684	--	--	--	--	669684 (34 / 1250)	--	--
C6B(A,H)-X42(C,U)-D	669684	--	--	--	--	669684 (34 / 1250)	--	--
C6B(A,H)-X47(C,U)-C	669852	--	--	--	--	--	669852 (36 / 1600)	--
C6B(A,H)-X48(C,U)-C	669852	--	--	--	--	--	669852 (36 / 1600)	--
C6B(A,H)-X48(C,U)-D	669852	--	--	--	--	--	669852 (36 / 1600)	--
C6B(A,H)-X60(C,U)-C	669686	--	--	--	--	--	--	669686 (36 / 1600)
C6B(A,H)-X60(C,U)-D	669686	--	--	--	--	--	--	669686 (36 / 1600)

NOTES:

- The charges listed are only valid for the standard 15' lineset.
- Numbers listed as 0.*** are restrictor diameters, while numbers listed as 669*** are TXV part numbers.

Table 4. Restrictor or TXV / Charge Addition (Oz) - Continued

Instructions:

1. Find the column for the model of outdoor unit that is being installed.
2. Find the row for the model of the indoor unit that is being installed.
3. Find the cell in the table in which this row and column meet. In this cell the appropriate orifice / TXV and charge addition for this match are listed. If the text in this cell is BOLD, then a change of orifice is necessary.
4. If a change in restrictor is necessary, then the appropriate restrictor will already be supplied with the outdoor unit.

Examples:

- For the *S4BD-030KB / B4VM-X30K-B match, the appropriate TXV is the 669565 and 36 ounces of charge will need to be added. (CHANGE IN CHARGE)
- For the *S4BD-024KB / B6EMMX24K-B match, the appropriate TXV is the 669564 and no additional charge needs to be added. (NO CHANGES ARE NECESSARY)

MODEL NUMBER: FS4BD-		018KB	024KB	030KB	036KB	042KB	048KB	060KB	
ID Restrictor Supplied With OD Unit:		0.048	0.056	0.060, 0.061	0.065, 0.067	0.071, 0.072	0.076, 0.077		
Outdoor Unit BOM Charge (Oz.)		40.4	41	40	41	59	60	69.6	
MODELS	SUPPLIED WITH ID	REQUIRED RESTRICTOR OR TXV (CHARGE ADDITION (OZ) / RATED AIRFLOW (SCFM))							
C7-0									
ID RESTRICTOR INSTALLED WITH ID UNIT	C7B(A,H)M01824(C,U)-A	0.048	0.048 (0 / 605)	0.056 (0 / 700)	--	--	--	--	
	C7B(A,H)M01824(C,U)-B	0.055	0.048 (0 / 535)	0.055 (5 / 700)	--	--	--	--	
	C7B(A,H)M030(C,U)-C	0.061	--	--	0.061 (0 / 960)	--	--	--	
	C7B(A,H)M03036(C,U)-A	0.061	--	--	0.061 (0 / 960)	0.067 (10 / 1055)	--	--	
	C7B(A,H)M03036(C,U)-B	0.067	--	--	0.061 (0 / 960)	0.067 (10 / 1055)	--	--	
	C7B(A,H)M03642(C,U)-B	0.071	--	--	--	0.067 (10 / 1055)	0.071 (7 / 1290)	--	
	C7B(A,H)M03648(C,U)-C	0.067	--	--	--	0.067 (10 / 1055)	0.071 (7 / 1290)	0.076 (0 / 1415)	
	C7B(A,H)M042(C,U)-D	0.071	--	--	--	--	0.071 (7 / 1290)	--	
	C7B(A,H)M048(C,U)-C	0.077	--	--	--	--	--	0.077 (6 / 1305)	
	C7B(A,H)M048(C,U)-D	0.077	--	--	--	--	--	0.077 (6 / 1305)	
	C7B(A,H)M060(C,U)-C	0.083	--	--	--	--	--	--	0.083 (12 / 1445)
	C7B(A,H)M060(C,U)-D	0.083	--	--	--	--	--	--	0.083 (12 / 1445)

NOTES:

- The charges listed are only valid for the standard 15' lineset.
- Numbers listed as 0.*** are restrictor diameters, while numbers listed as 669*** are TXV part numbers.

Table 4. Restrictor or TXV / Charge Addition (Oz) - Continued

NORDYNE
COMPLETE COMFORT. GENUINE VALUE.

Specifications & illustrations subject to change
without notice or incurring obligations (09/13).



7096470 (Replaces 709313C)