

QUICK REFERENCE DATA

*T4BF SERIES RESIDENTIAL SPLIT SYSTEM HEAT PUMP

16 SEER

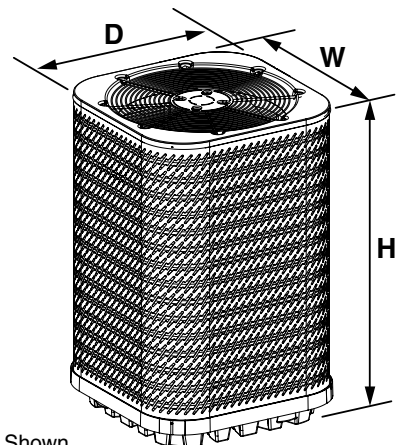
| MODEL NUMBER *T4BF- | | 024KB | 036KA | 048KA | 060KA | |
|--------------------------------------------------------------------------------------------------------|------------------------|-----------|--------------|------------|------------|------------|
| ELECTRICAL DATA | Volts-Cycles-Phase (1) | | 208/230-60-1 | | | |
| | Total Amps | | 12.6 | 16.5 | 23.7 | 31.4 |
| | Delay Fuse Max. (2) | | 25 | 35 | 50 | 60 |
| | Min. Circuit Ampacity | | 15.6 | 20.3 | 29.0 | 38.6 |
| CONDENSER DATA | Coil | Area | 25.4 | 25.4 | 25.4 | 25.4 |
| | | Rows-FPI | 1-20 | 2-18 | 2-18 | 2-18 |
| | | Tube Dia | 3/8" O.D. | | | |
| | Fan Motor | Type | PSC | | BLDC | |
| | | Amps | 1.0 | 1.3 | 2.6 | 2.6 |
| | | HP | 1/5 | 1/4 | 1/3 | 1/3 |
| | Compressor Data | RLA | 11.6 | 15.2 | 21.1 | 28.8 |
| LRA | | 58.3 | 83.0 | 104.0 | 152.9 | |
| RECOMMENDED REFRIGERANT SUCTION LINE O.D.* NOTE: Liquid line is 3/8" O.D. for entire length. | | 0-24 ft. | 3/4" | 7/8"(4) | 7/8" | 7/8" |
| | | 25-39 ft. | 7/8" (3) | 1-1/8" (3) | 1-1/8" (3) | 1-1/8" (3) |
| | | 40-75 ft. | 7/8" (3) | 1-1/8" (3) | 1-1/8" (3) | 1-1/8" (3) |
| REFRIGERANT CHARGE: (R-410A) in ounces for outdoor unit, indoor unit and 15' line set. (5) | | 195 | 251 | 288 | 311 | |
| APPROXIMATE WEIGHT (LBS.) | | Net | 253 | 277 | 277 | 301 |
| | | Ship | 265 | 289 | 289 | 313 |

- (1) Operating Voltage Range: 187v min. — 253v max.
 - (2) HACR Type Circuit Breakers may be used.
 - (3) Requires 1 1/8" to 7/4" reducer from line to unit.
 - (4) Use of a 3/4" lineset will result in approximately 2% loss in capacity.
 - (5) Additional charge for line sets above 15 feet. Values based on suction line as follows with 3/8" liquid line.
 - (a) 3/4" = 0.6 oz. per additional foot.
 - (b) 7/8" = 0.7 oz. per additional foot.
 - (c) 1 1/8" = 0.8 oz. per additional foot.
- * For other line set dimensions, refer to the Application Guidelines for Refrigerant Lines Addendum.

Table 1. Electrical Specifications & Physical Data

| WIRE GAUGE | RECOMMENDED MAXIMUM WIRE LENGTH (FT) FROM UNIT TO THERMOSTAT |
|------------|--------------------------------------------------------------|
| 22 | 45 |
| 20 | 70 |
| 18 | 115 |
| 16 | 180 |

Table 2. Control Wiring (24V)



Model JT4BF Shown

| MODEL NUMBER | HEIGHT (H) | WIDTH (W) | DEPTH (D) |
|--------------|------------|-----------|-----------|
| *T4BF-024KB | 43 1/2 | 31 | 31 |
| *T4BF-036KA | 43 1/2 | 31 | 31 |
| *T4BF-048KA | 43 1/2 | 31 | 31 |
| *T4BF-060KA | 43 1/2 | 31 | 31 |

Table 3. Unit Dimensions

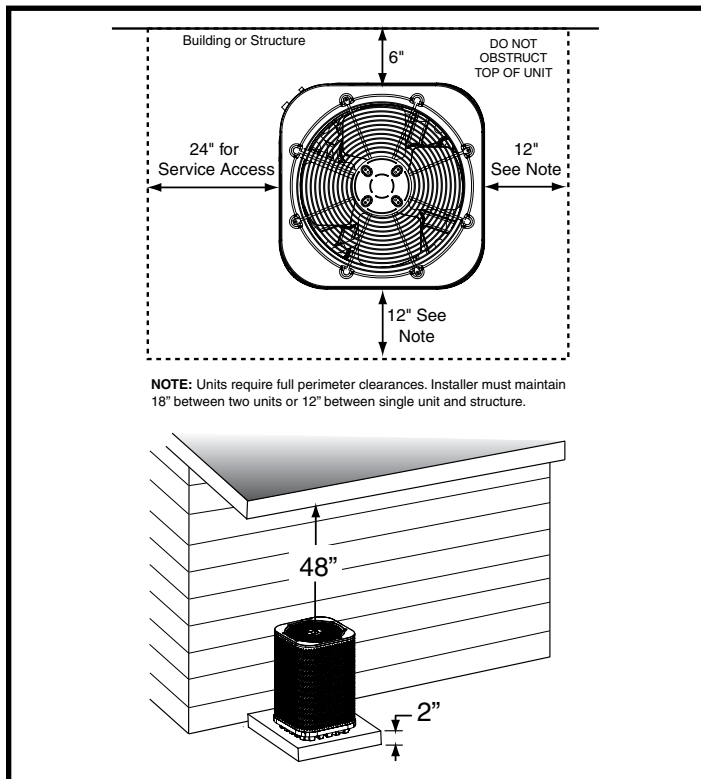


Figure 1. Clearance Requirements

Instructions:

1. Find the column for the model of outdoor unit that is being installed.
2. Find the row for the model of the indoor unit that is being installed.
3. Find the cell in the table in which this row and column meet. In this cell the appropriate orifice / TXV and charge addition for this match are listed. If the text in this cell is BOLD, then a change of orifice is necessary.
4. If a change in restrictor is necessary, then the appropriate restrictor will already be supplied with the outdoor unit.

Examples:

- For the *T4BF-024KB B6VMAX24K-B match the correct TXV is 669564 (NO ADDITIONAL CHARGE IS NECESSARY).
- For the *T4BF-048KA C6B(A,H)-X48(C,U)-C match the correct TXV is 669852 (NO ADDITIONAL CHARGE IS NECESSARY).

| MODEL NUMBER: *T4BF | | 024KB | 036KA | 048KA | 060KA |
|-------------------------------|------------------|----------------------------------------------------------------------------|----------------------|----------------------|----------------------|
| OUTDOOR UNIT BOM CHARGE (OZ.) | | 195 | 251 | 288 | 311 |
| MODELS | SUPPLIED WITH ID | REQUIRED RESTRICTOR OR TXV (CHARGE ADDITION (OZ) / RATED AIRFLOW -SCFM) | | | |
| B6VM | | | | | |
| B6VMAX24K-B | 669564 | 669564 (0 / 850) | -- | -- | -- |
| B6VMAX36K-B | 669566 | -- | 669566 (0 / 1250) | -- | -- |
| B6VMAX48K-C | 669568 | -- | -- | 669568 (0 / 1700) | -- |
| B6VMAX60K-C | 669578 | -- | -- | -- | 669578 (0 / 1800) |
| C6 | | | | | |
| C6B(A,H)-X26(C,U)-B | 669681 | 669681 (0 / 850) | -- | -- | -- |
| C6B(A,H)-X30(C,U)-C | 669682 | 669682 (0 / 700) | -- | -- | -- |
| C6B(A,H)-X36(C,U)-B | 669683 | -- | 669683 (0 / 850) | -- | -- |
| C6B(A,H)-X36(C,U)-C | 669683 | -- | 669683 (0 / 850) | -- | -- |
| C6B(A,H)-X48(C,U)-C | 669852 | -- | -- | 669852 (0 / 1250) | -- |
| C6B(A,H)-X60(C,U)-C | 669686 | -- | -- | -- | 669686 (0 / 1840) |
| C6B(A,H)-X60(C,U)-D | 669686 | -- | -- | -- | 669686 (0 / 1840) |

NOTES:

- The charges listed are only valid for the standard 15' lineset.
- Part numbers beginning with 669***are TXV part numbers and numbers listed as 0.*** are restrictor diameters.

**Table 4. REQUIRED RESTRICTOR OR TXV
(CHARGE ADDITION (OZ) / RATED AIRFLOW -SCFM)**

