

# INSTALLATION INSTRUCTIONS

## MICROCHANNEL HEAT PUMP DEFROST SENSOR

### IMPORTANT INFORMATION

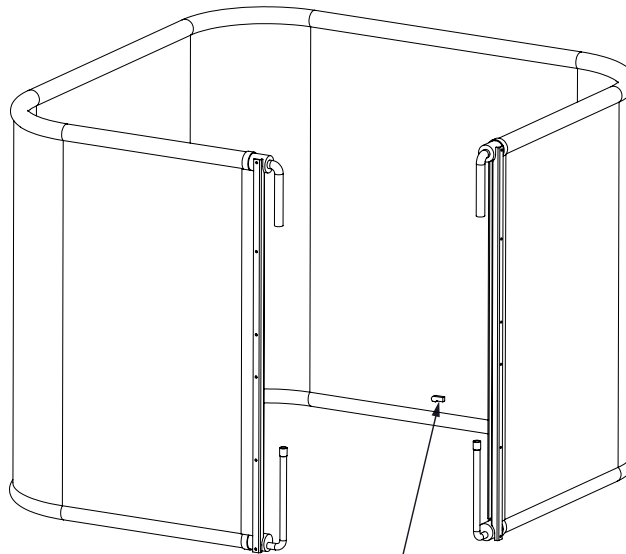
Please read all instructions before installing this component. The installation location of the coil defrost sensor is critical for the proper operation of the defrost function of the unit. Install the sensor in the location as shown in Figure 1.

### **WARNING:**

#### **RISK OF ELECTRICAL SHOCK**

**Shut off all electrical power to the unit before performing any maintenance or service on the system. Failure to follow this warning can cause serious injury, fire, electrical shock, or death.**

- The installer performing this work assumes all responsibility when installing this kit. These instructions are primarily intended to assist qualified individuals experienced in the proper installation of this component.
- Some local codes may require licensed installation/service personnel for this type of equipment. Safety should always be the deciding factor when installing this product and using common sense plays an important role as well. Improper installation of the component or failure to follow instructions could result in serious injury, death, or property damage.
- Unless noted otherwise in these instructions, only factory authorized parts or accessory kits may be used. Improper installation, service, adjustment, or maintenance may cause fire, electrical shock or other hazardous conditions which may result in personal injury or property damage.
- Use caution when installing this in the appliance. Personal injury can occur from sharp metal edges present in all sheet metal constructed equipment.



LOCATE IN MIDDLE OF THE SIDE, ONE INCH UP FROM BOTTOM OF FIN PACK  
MAKE SURE THE ROUND BARREL OF THE SENSOR IS IN GOOD CONTACT WITH THE COIL FINS

**Figure 1. Sensor Location**

