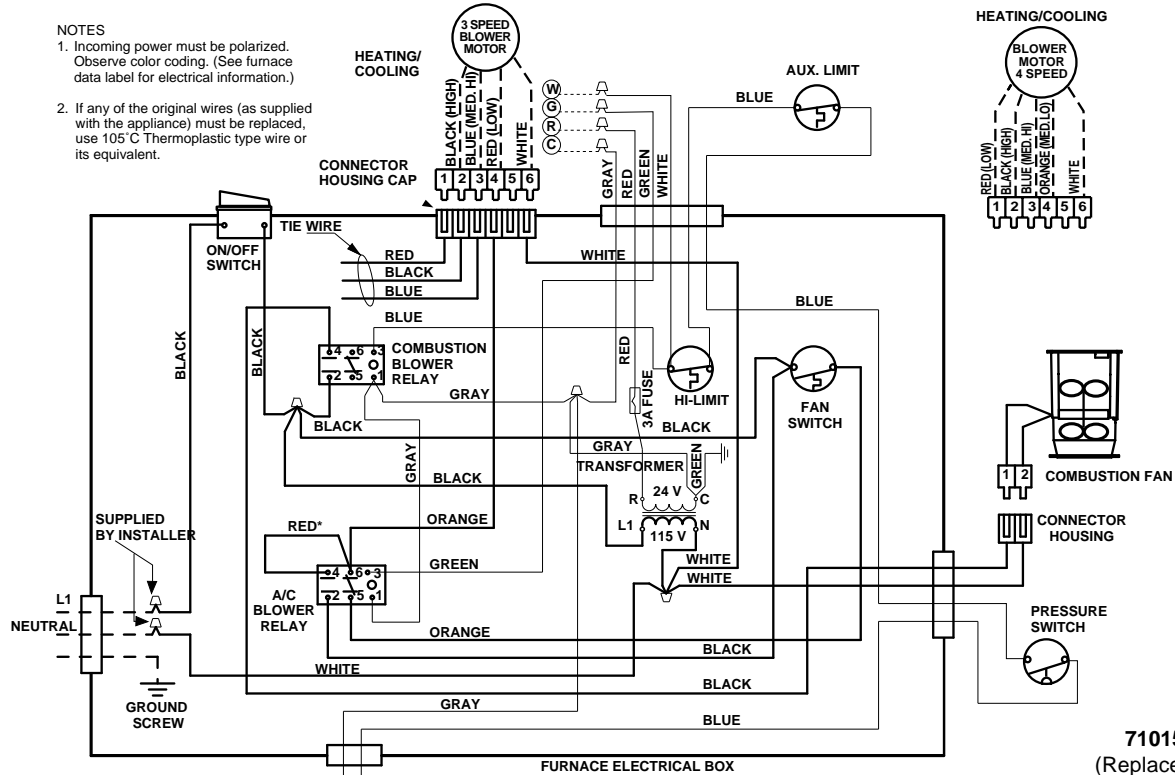


WIRING DIAGRAM

Standing Pilot With Induced Draft Furnaces, A/C Ready , M1G(B,C,D) 077, 090 Models.

NOTES

- Incoming power must be polarized. Observe color coding. (See furnace data label for electrical information.)
- If any of the original wires (as supplied with the appliance) must be replaced, use 105 °C Thermoplastic type wire or its equivalent.



LEGENDS	
115V: _____	FIELD 115V: _____
24V: _____	FIELD 24V: _____

- * Jumper Wire - M1GB 090 Units Only
Otherwise Hi-Speed Connected to Blower Relay (Black)
 - M1GB 077 Heating: Orange wire replaced by Blue
 - M1GB 090 Heating: Orange wire replaced by Black
- A/C & Heating Speeds: Refer to Table 10, A/C Blower Selection in the manual

7101510 08/00
(Replaces 7101040)

