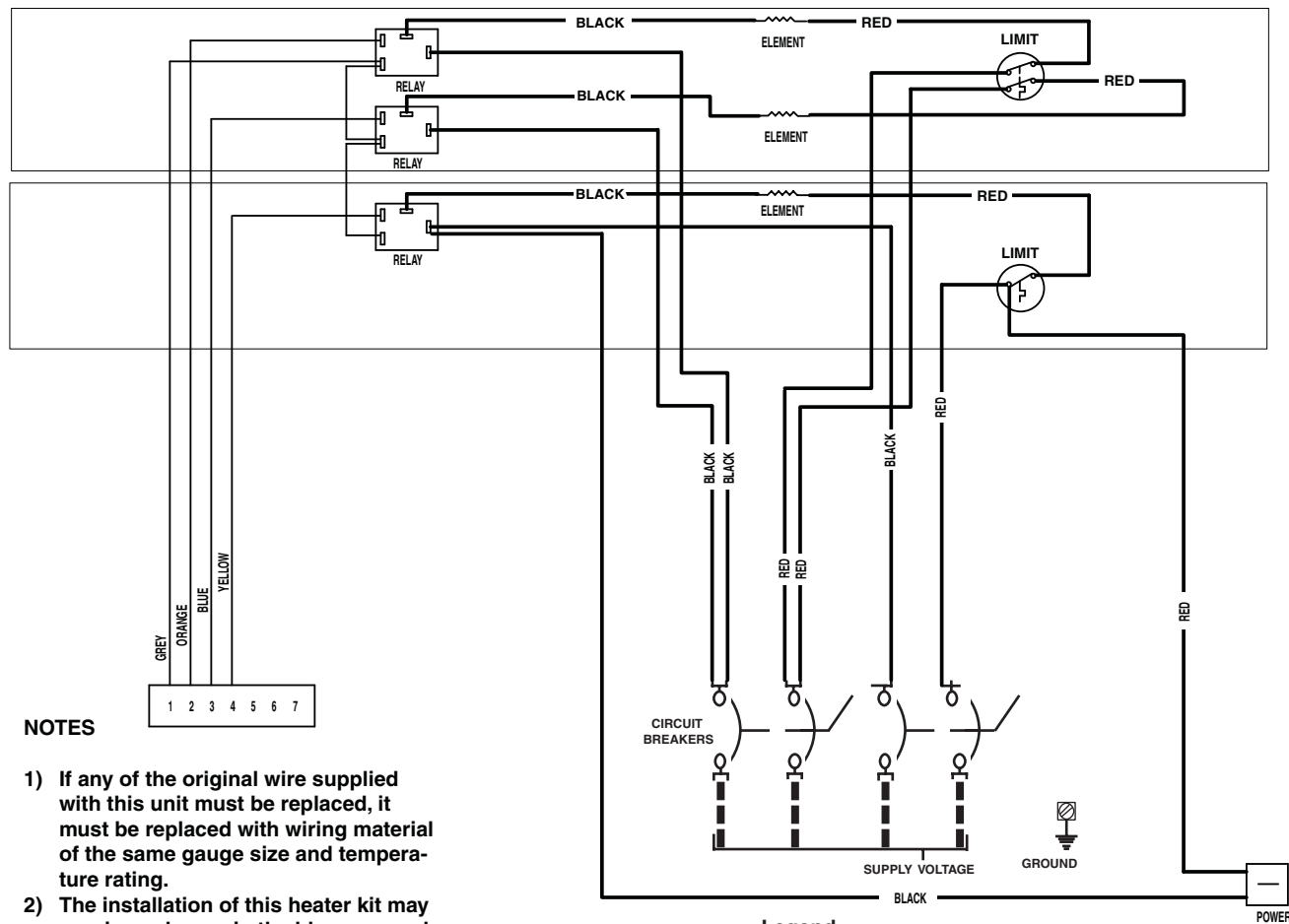


WIRING DIAGRAM

H6HK015H-21 (with circuit breaker)

15kW, 240 VAC, 1-Phase Electric Heater Kit



NOTES

- 1) If any of the original wire supplied with this unit must be replaced, it must be replaced with wiring material of the same gauge size and temperature rating.
- 2) The installation of this heater kit may require a change in the blower speed tap connection. See Installation Instructions for details.
- 3) Use copper conductors with a minimum temperature rating of 60°C for supply connections.

Legend

Field Wiring	- - - - -
Factory Wiring:	
Low Voltage	_____
High Voltage	—————



710563A (Replaces 7105630)