

WIRING DIAGRAM

Convertible Packaged Air Conditioner

208/230 Volt

Single Phase

60Hz

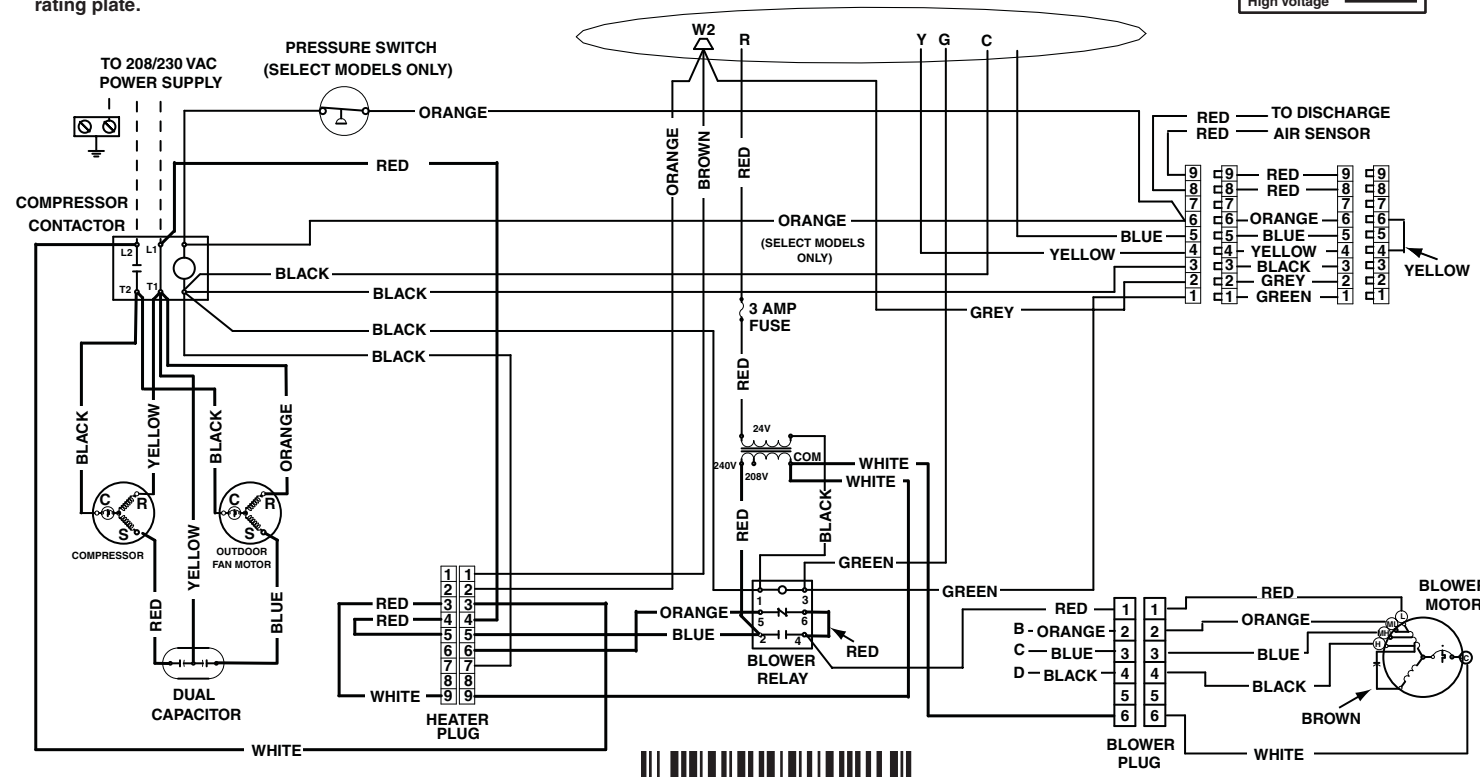
NOTES:

1. Disconnect all power before servicing.
2. For supply connections use copper conductors only.
3. Not suitable on systems that exceed 150 V to ground.
4. If any of the original wire as supplied with the furnace must be replaced, it must be replaced with wiring material having a temperature rating of at least 105°C.
5. For supply wire ampacities and overcurrent protection, see unit rating plate.

1. Couper le courant avant de faire letretien.
2. Employez uniquement des conducteurs en cuivre.
3. Ne convient pas aux installations de plus de 150 V a la terre.

Legend

Field Wiring	- - - -
Factory Wiring:	
Low Voltage	_____
High Voltage	=====



7105810