

WIRING DIAGRAM

P6SP-072 (C/D) Series

208-230/460 Volt

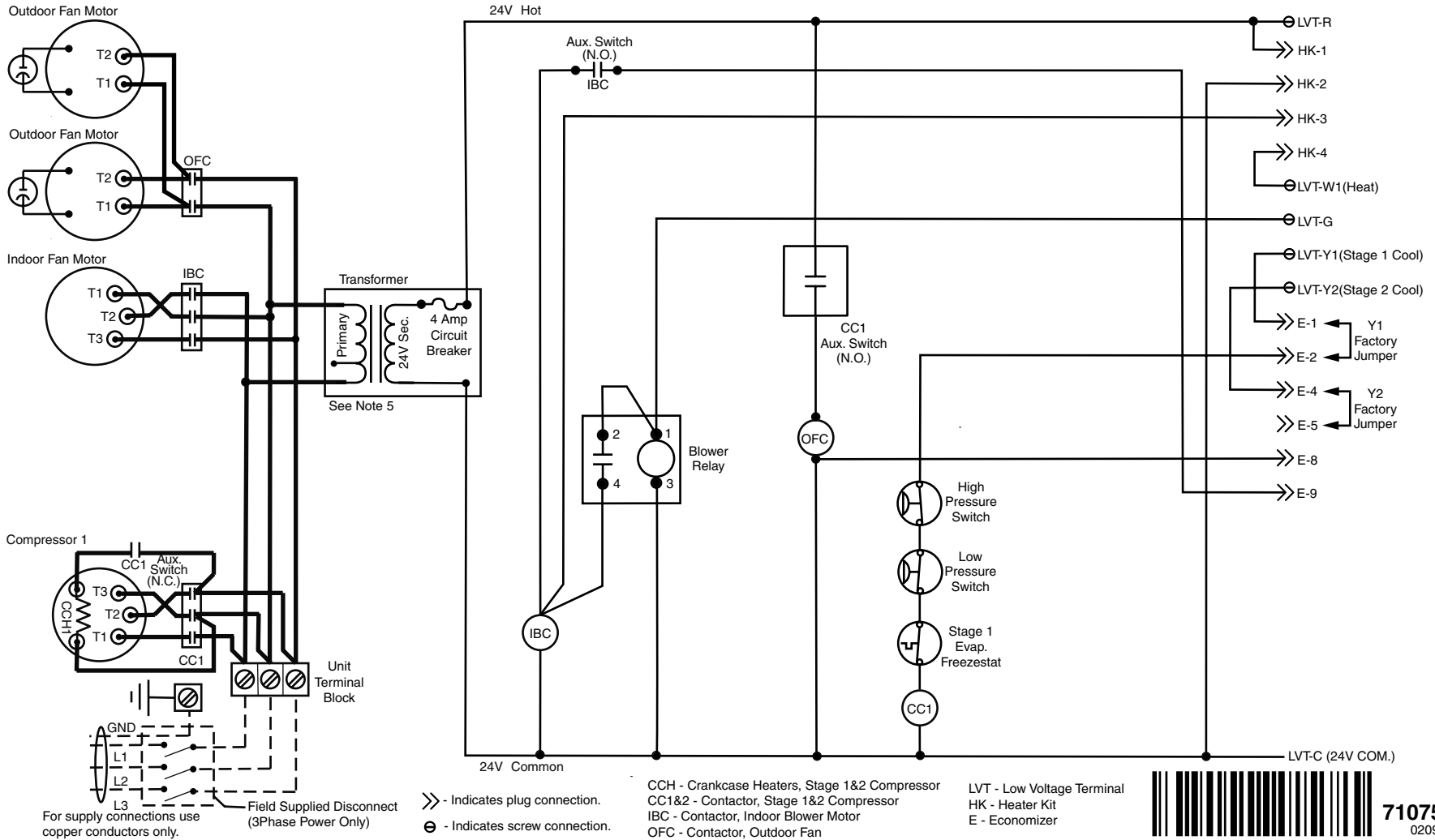
3 Phase 60 Hz.

NOTES:

1. Disconnect all power before servicing.
2. For supply connections use copper conductors only.
3. If any of the original wire as supplied with the unit must be replaced, it must be replaced with wiring material having a temperature rating of at least 105C.

4. For supply wire ampacities and overcurrent protection, see unit rating label.
5. On "C" Series Models only. For 208V operation remove wire from 230V tap and place on 208V tap.

1. Couper le courant avant de faire letretien.
2. Employez uniquement des conducteurs en cuivre.



Outdoor Fan Motor

Outdoor Fan Motor

Indoor Fan Motor

Compressor 1

Transformer

Blower Relay

Unit Terminal Block

24V Hot

24V Common

LVT-C (24V COM.)

For supply connections use copper conductors only.

Field Supplied Disconnect (3Phase Power Only)

➤ - Indicates plug connection.
⊖ - Indicates screw connection.

CCH - Crankcase Heaters, Stage 1&2 Compressor
CC1&2 - Contactor, Stage 1&2 Compressor
IBC - Contactor, Indoor Blower Motor
OFC - Contactor, Outdoor Fan

LVT - Low Voltage Terminal
HK - Heater Kit
E - Economizer



7107540
0209