

WIRING DIAGRAM

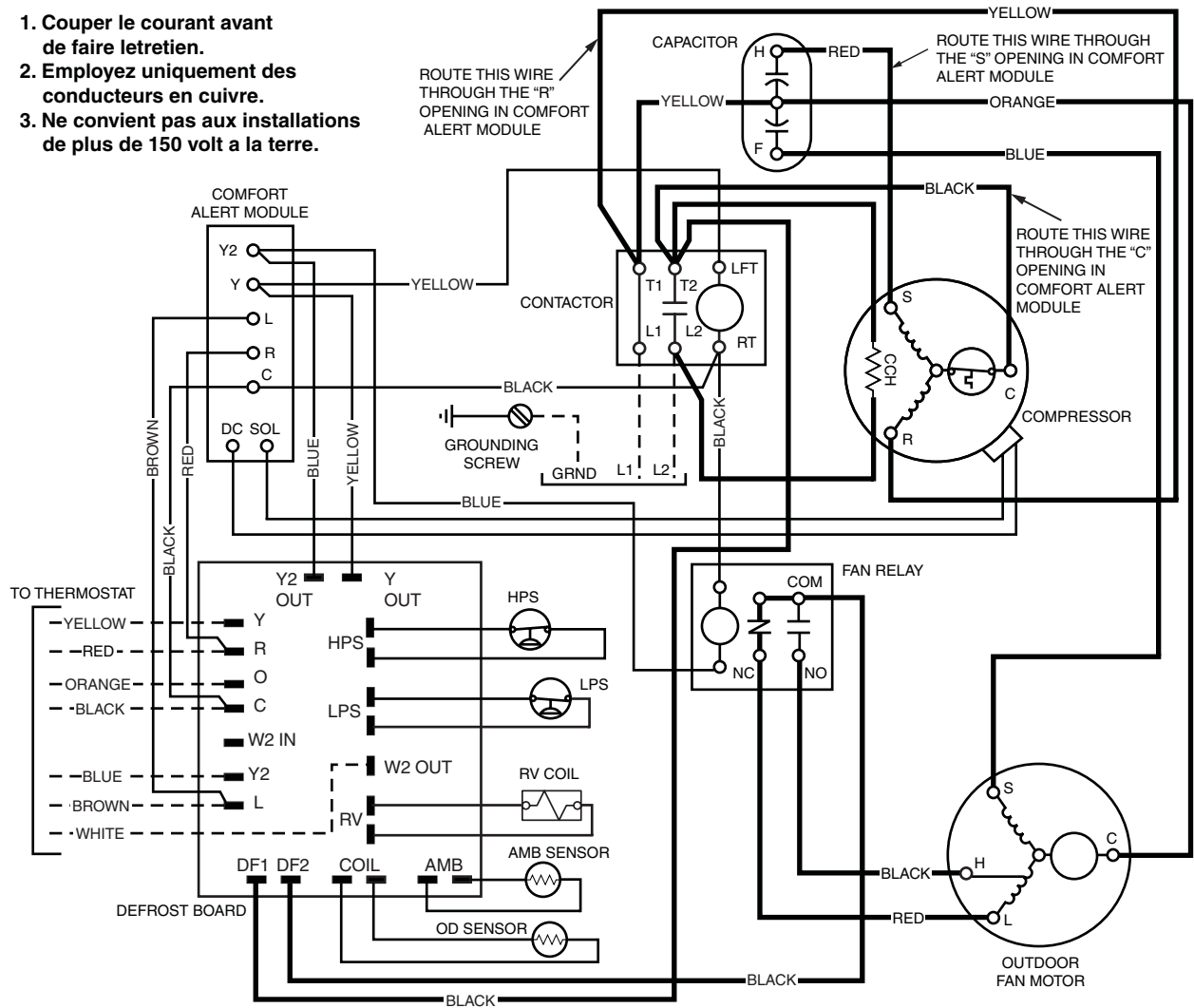
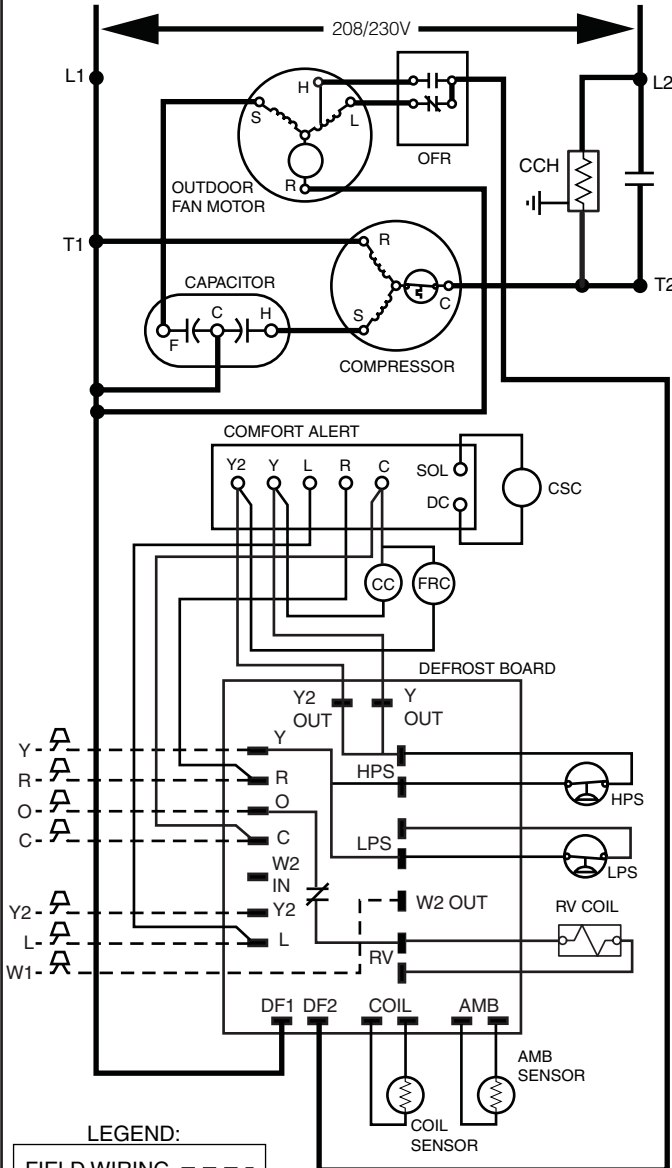
Two Stage Split System Heat Pump With Demand Defrost and Two Speed Fan Motor

208/230V Single Phase / 60 Hz.

NOTES:

1. Disconnect all power before servicing.
2. For supply connections use copper conductors only.
3. Not suitable on systems that exceed 150 volts to ground.
4. For replacement wires use conductors suitable for 105 °C
5. For ampacities and overcurrent protection, see unit rating plate.
6. Connect to 24 vac/40va/class 2 circuit. See furnace/airhandler installation instructions for control circuit and optional relay/transformer kits.

1. Couper le courant avant de faire l'entretien.
2. Employez uniquement des conducteurs en cuivre.
3. Ne convient pas aux installations de plus de 150 volt a la terre.



| Status LED | Status LED Description |
|-----------------------------|--|
| Green "POWER" | Module has power |
| Red "TRIP" | Thermostat demand signal Y is present, but the compressor is not running |
| Yellow "ALERT" Flash Code 1 | LONG RUN TIME - Compressor is running extremely long run cycle |
| Yellow "ALERT" Flash Code 2 | SYSTEM PRESSURE TRIP - Discharge or suction pressure out of limits or compressor overloaded |
| Yellow "ALERT" Flash Code 3 | SHORT CYCLING - Compressor is running only briefly |
| Yellow "ALERT" Flash Code 4 | LOCKED ROTOR |
| Yellow "ALERT" Flash Code 5 | OPEN CIRCUIT |
| Yellow "ALERT" Flash Code 6 | OPEN START CIRCUIT - Current only in run circuit |
| Yellow "ALERT" Flash Code 7 | OPEN RUN CIRCUIT - Current only in start circuit |
| Yellow "ALERT" Flash Code 8 | WELDED CONTACTOR - Compressor always runs |
| Yellow "ALERT" Flash Code 9 | LOW VOLTAGE - Control circuit < 17 VAC |

- CC - Contactor Coil
- CCH - Crankcase Heater
- CSC - Compressor Solenoid Coil
- LPS - Low Pressure Switch
- HPS - High Pressure Switch
- RVS - Reversing Valve Solenoid
- OFR - Outdoor Fan Relay
- FRC - Fan Relay Coil

LEGEND:
 FIELD WIRING - - - -
 LOW VOLTAGE - - - -
 HIGH VOLTAGE - - - -



7109640