

WIRING DIAGRAM

Convertible Packaged Heat Pump

208/230 Volt

Single Phase

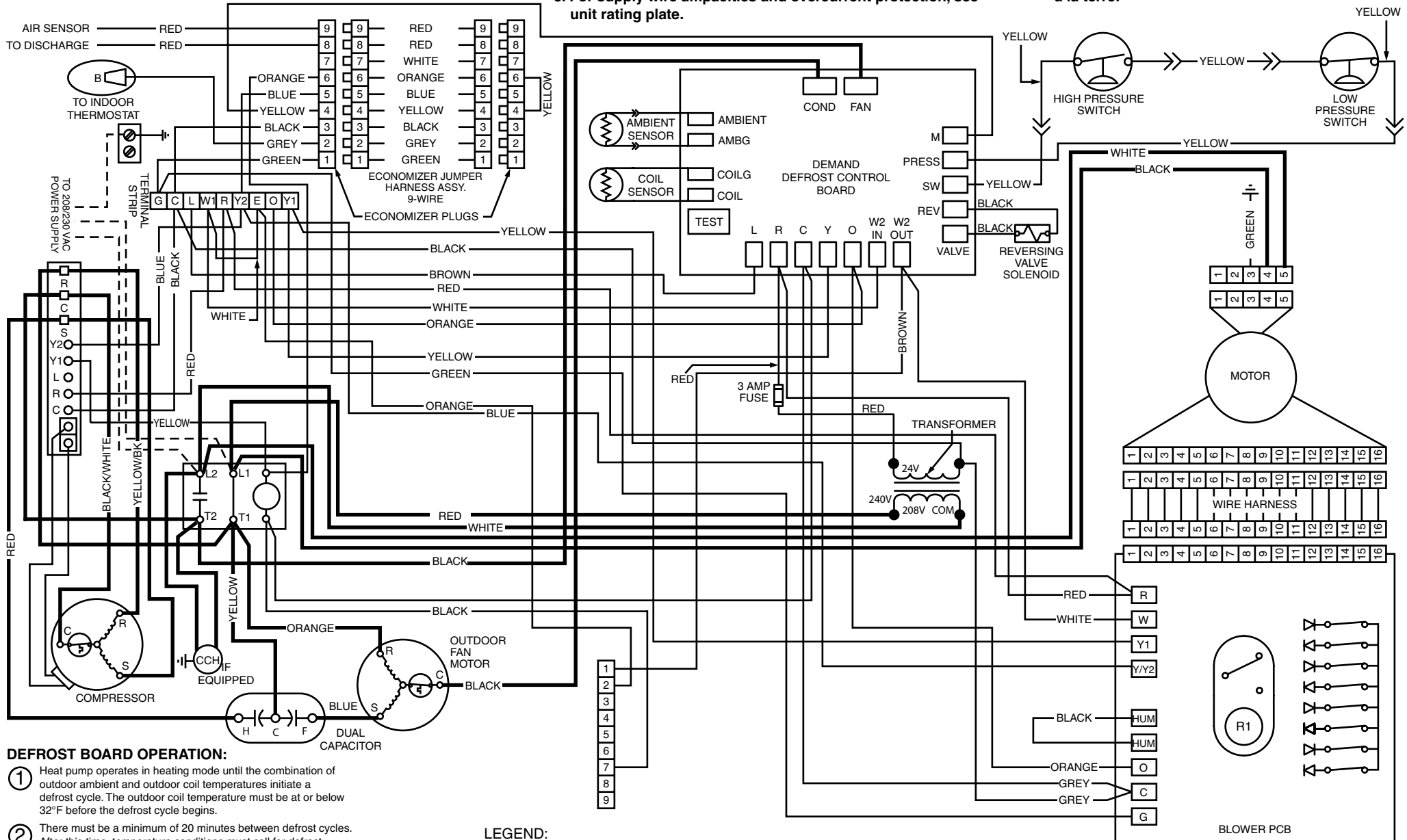
60Hz

NOTES:

1. Disconnect all power before servicing.
2. For supply connections use copper connectors only.
3. Not suitable on systems that exceed 150V to ground.

4. If any of the original wire as supplied with the furnace must be replaced, it must be replaced with wiring material having a temperature rating of at least 105°C.
5. For supply wire ampacities and overcurrent protection, see unit rating plate.

7. Couper ie couant avant faire letretien.
8. employez uniquement des conducteurs en cuivre.
9. Ne convient pas aux installations de plus de 150V a la terre.



DEFROST BOARD OPERATION:

- 1 Heat pump operates in heating mode until the combination of outdoor ambient and outdoor coil temperatures initiate a defrost cycle. The outdoor coil temperature must be at or below 32°F before the defrost cycle begins.
- 2 There must be a minimum of 20 minutes between defrost cycles. After this time, temperature conditions must call for defrost continuously for 4 1/2 minutes before a defrost cycle is initiated.
- 3 The defrost cycle ends when the outdoor temperature reaches 32°F or the defrost terminate time of 13 minutes 39 seconds is reached.

LEGEND:

FIELD WIRING	---
LOW VOLTAGE	—
HIGH VOLTAGE	—

NOTE:

See installation instructions for wiring, application, and information concerning accessory Heat Kits and other options.



7110910
(Replaces 7108430)
0310